



WARNING!!

Children have died from furniture tipover. Tip restraints have been included with this product; you must install the tip restraints according to these instructions in order to minimize the risk of furniture tipping. If you have any questions about this product or the tip restraint, please send us an email at tip_restraint_help@Noblehousefurniture.com

NEVER allow children to climb or hang on furniture, including drawers or cabinet doors.

In addition to installing the restrains, to help prevent tip-over

1. **NEVER** put a TV or other heavy objects on top of this product".
2. Do not stand on the product

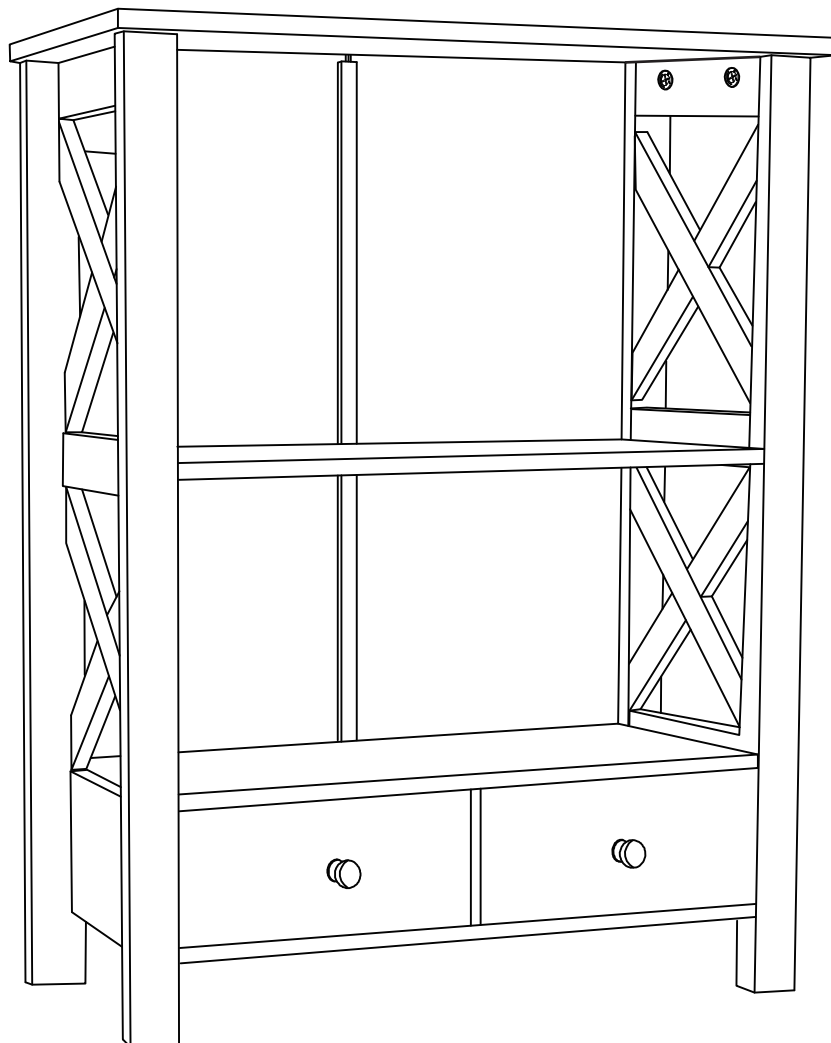
⚠ WARNING	
	<p>Children have died from furniture tipover. To reduce the risk of furniture tipover:</p> <ul style="list-style-type: none">• ALWAYS install tipover restraint provided.• NEVER put a TV on this product.• NEVER allow children to stand, climb or hang on drawers, doors, or shelves.• NEVER open more than one drawer at a time.• Place heaviest items in the lowest drawers.• Do not defeat or remove the drawer interlock system. <p><i>This is a permanent label. Do not remove!</i></p>
	

Assembly Instructions


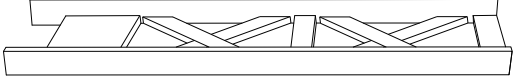
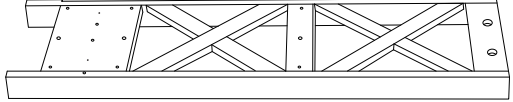

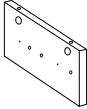
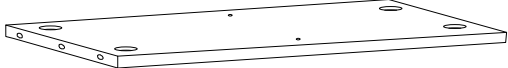
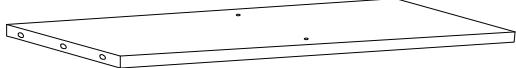
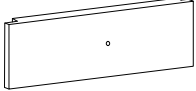
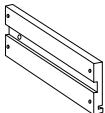
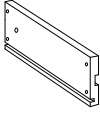
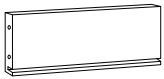


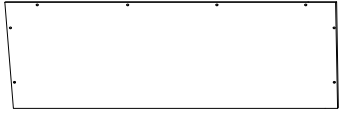
Caution : You must read this before you proceed

Please look in the magic tape for hardware packs and legs.

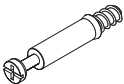
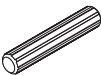





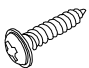
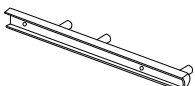
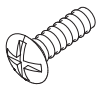





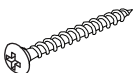

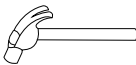
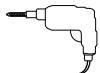
Shelf



Parts List

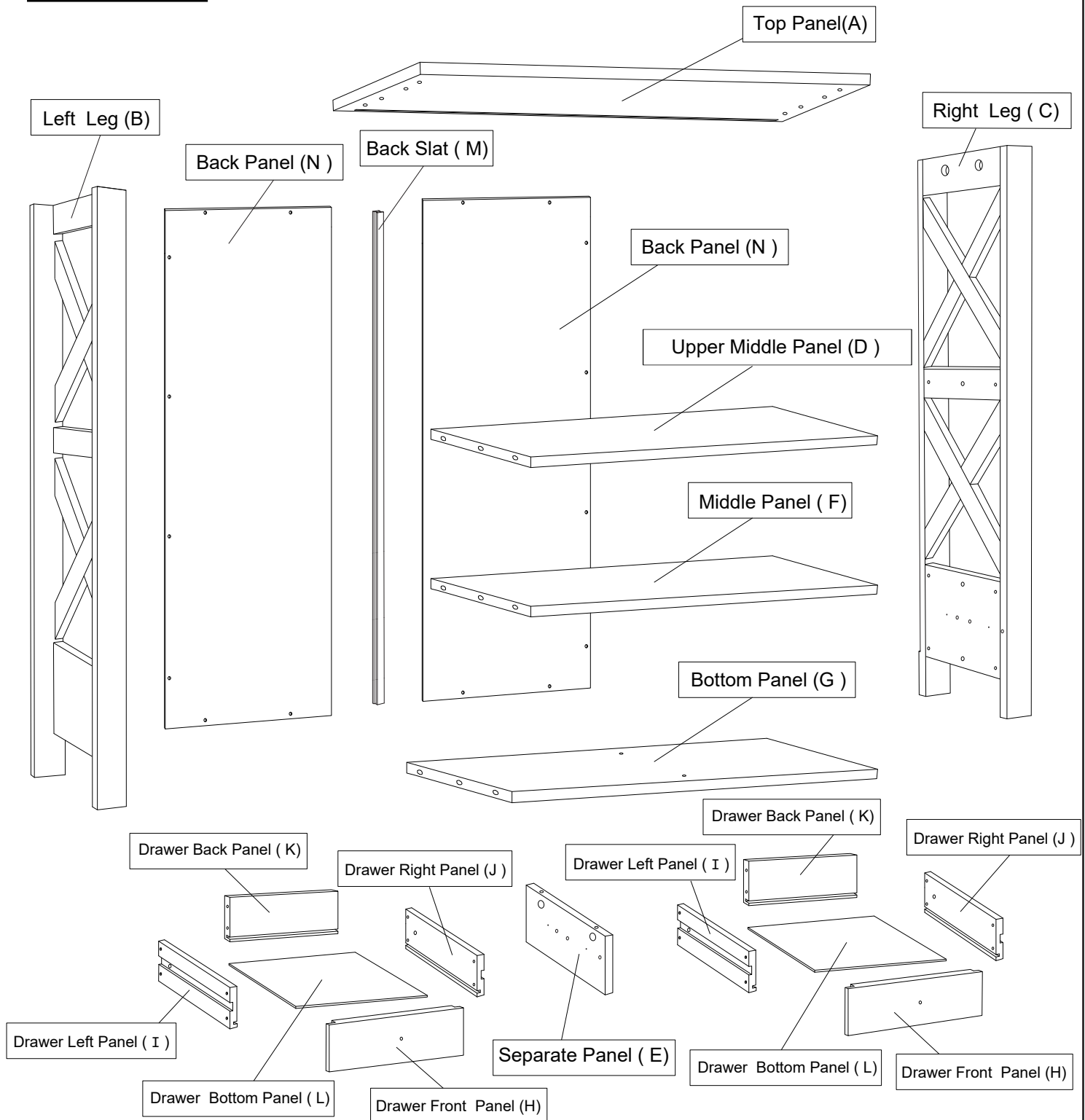
Label	Picture	Description	QTY
A		Top Panel	1
B		Left Leg	1
C		Right Leg	1
D		Upper Middle Panel	1
E		Separate Panel	1
F		Middle Panel	1
G		Bottom Panel	1
H		Drawer Front Panel	2
I		Drawer Left Panel	2
J		Drawer Right Panel	2
K		Drawer Back Panel	2
L		Drawer Bottom Panel	2
M		Back Slat	1
N		Back Panel	2

Hardware

Label	Picture	Description	QTY
①		Cam Bolt	19
②		Dowel	11
③		Cam Nut	19
④		Screw (M3x25mm)	17
⑤		Knob	2
⑥		Drawer Stopper	5
⑦		Screw (M3x8mm)	9
⑧		Screw (M3x10mm)	17
⑨		Slide	4
⑩		Knob Bolt (M4x16mm)	3
⑪		Screw (M4x35mm)	3
Restraint Device Hardware			
⑫		Wall Anchor Screw	2
⑬		Screw (M4x12mm)	2
⑭		Restraint Strap	2
⑮		Metal Gasket	4
⑯		Screw (M4x35mm)	2
⑰		Screwdriver (Not provided)	1
⑱		Hammer (Not provided)	1
⑲		Power Drill (Not provided)	1

Assembly Steps

Overview



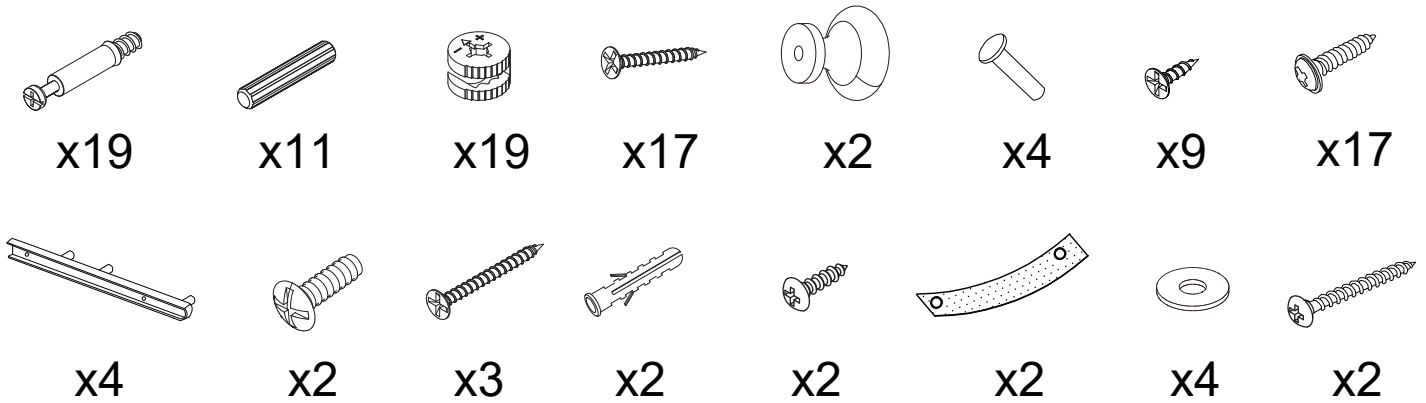
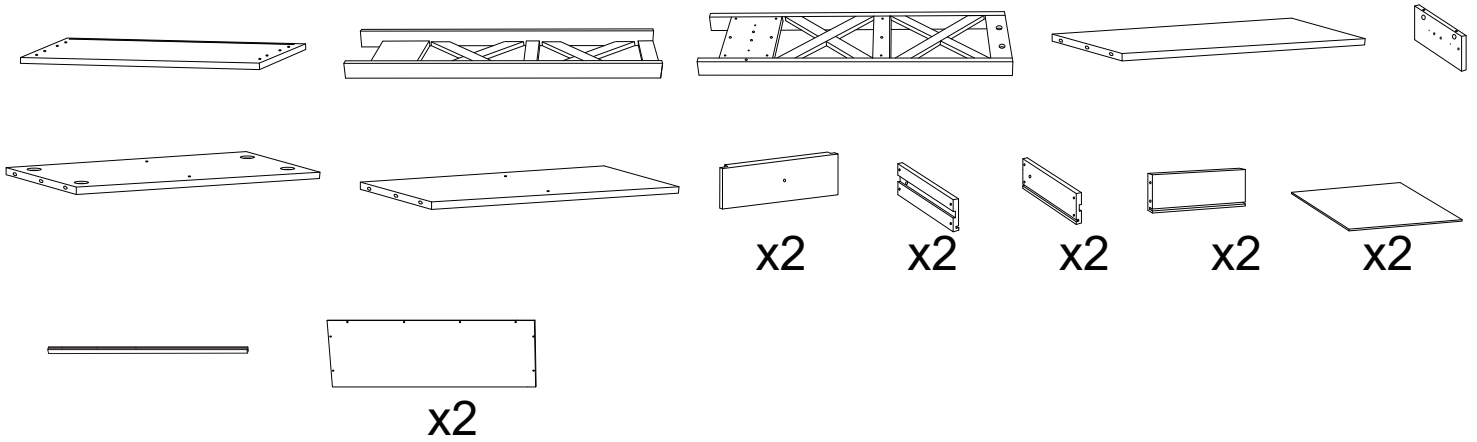
This Cabinet has multiple parts and may require up to 60 minutes to assemble.

To give you an overview of the Cabinet parts, the above picture is to help you put the various parts into perspective.

Please read through the instructions below to familiarise yourself with the parts and steps before assembly.

Assembly Preparation

Before Beginning Assembly:



- Read instructions, cover to cover-



- Have 2 adults on hand for assembly-



- Do not assemble on flooring or carpet-

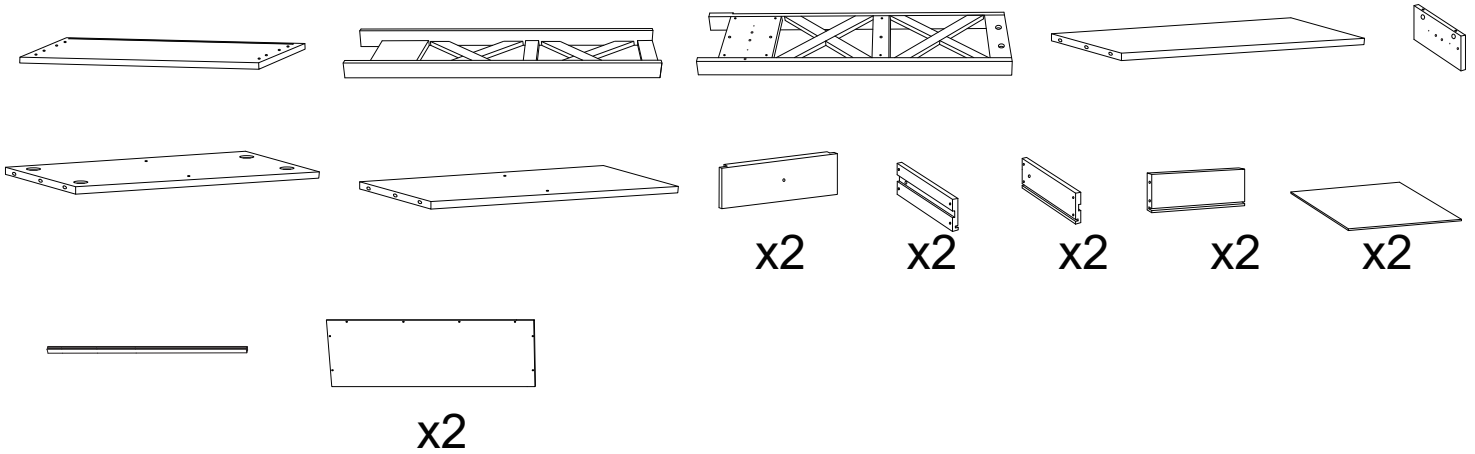


- Assemble on a clean non-marring surface (packing foam)-



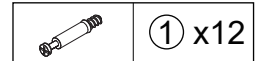
- Save all packaging until finished-

Step 1

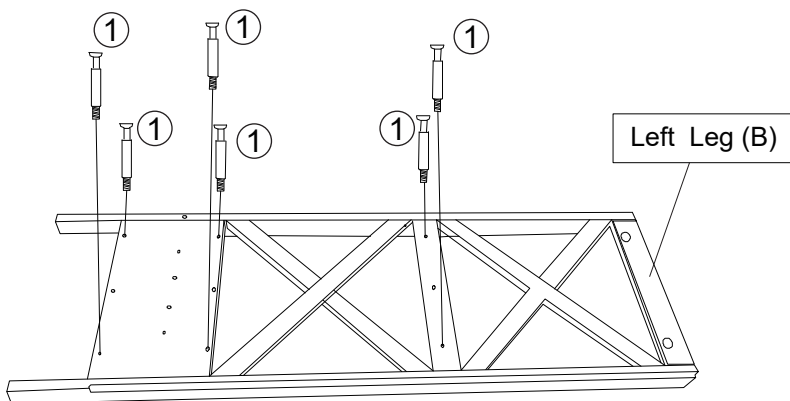


Unpack and place all parts on a clean, non-marring surface.

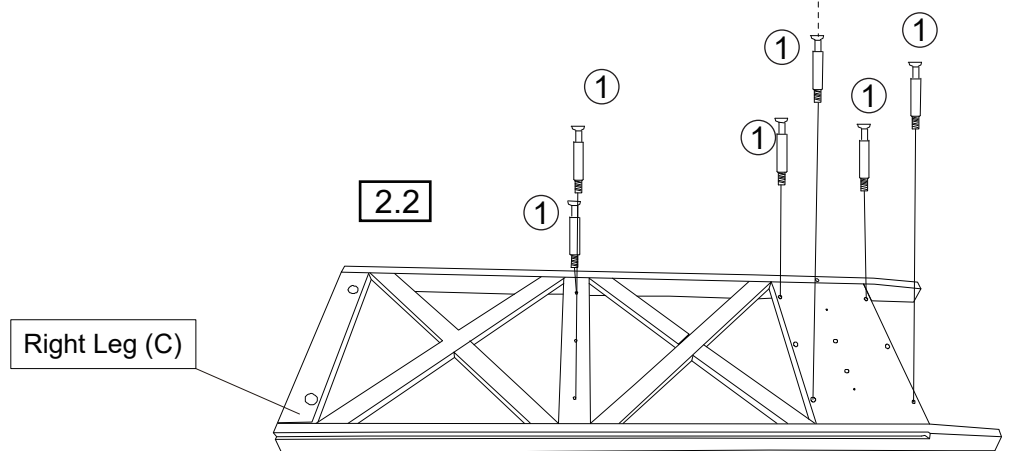
Step 2



2.1



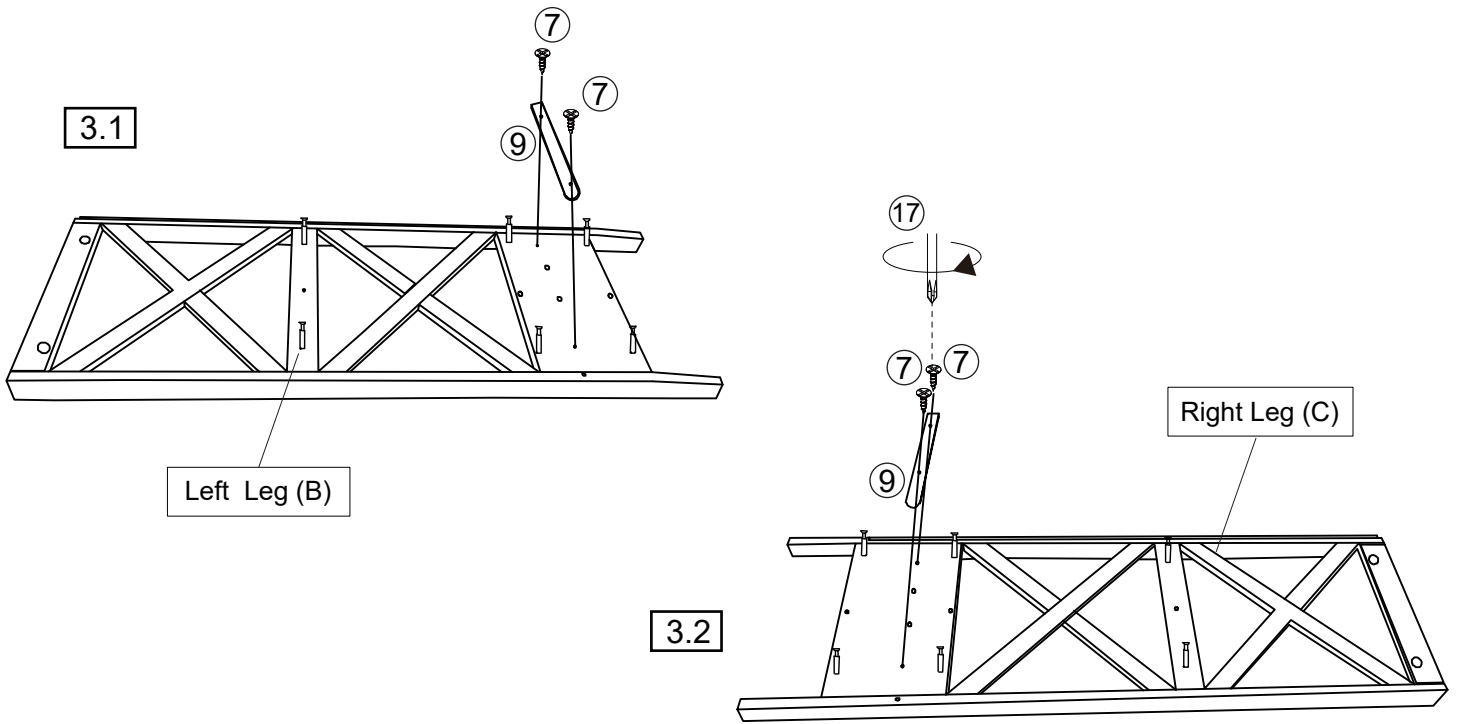
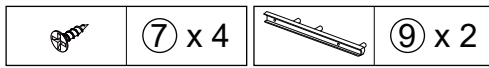
2.2



2.1) Insert Cam Bolt (①) into the mounting positions on Left Leg (B) using Screwdriver (⑰).

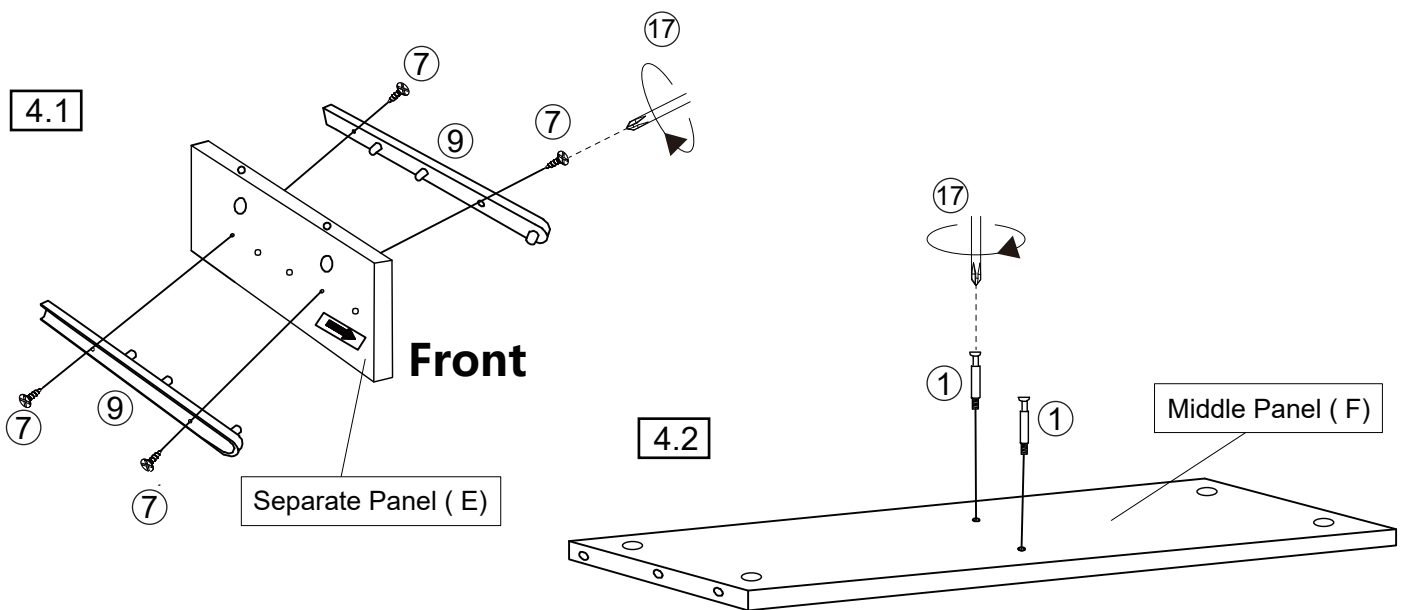
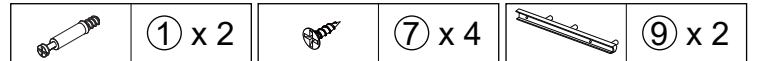
2.2) Repeat the same step with the Right Leg (C).

Step 3



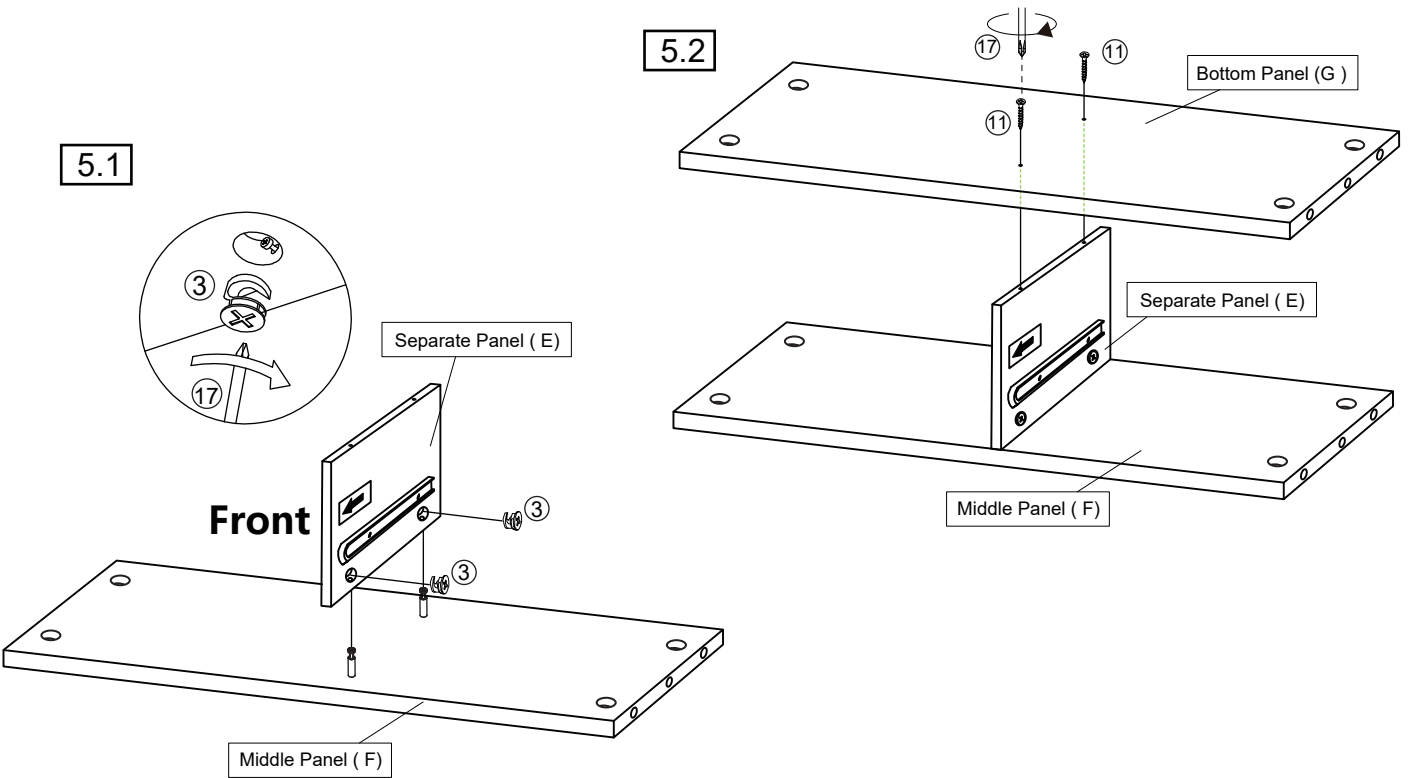
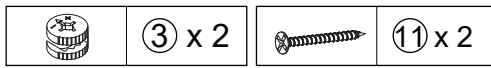
- 3.1) Attach Slide (9) to Left Leg (B) with Screw (7) using Screwdriver (17).
3.2) Repeat the same step with the Right Leg (C).

Step 4



- 4.1) Attach Slide (9) on the Separate Panel (E) with Screw (7) using Screwdriver (17).
4.2) Insert Cam Bolt (1) into the mounting positions on Middle Panel (F) using Screwdriver (17).

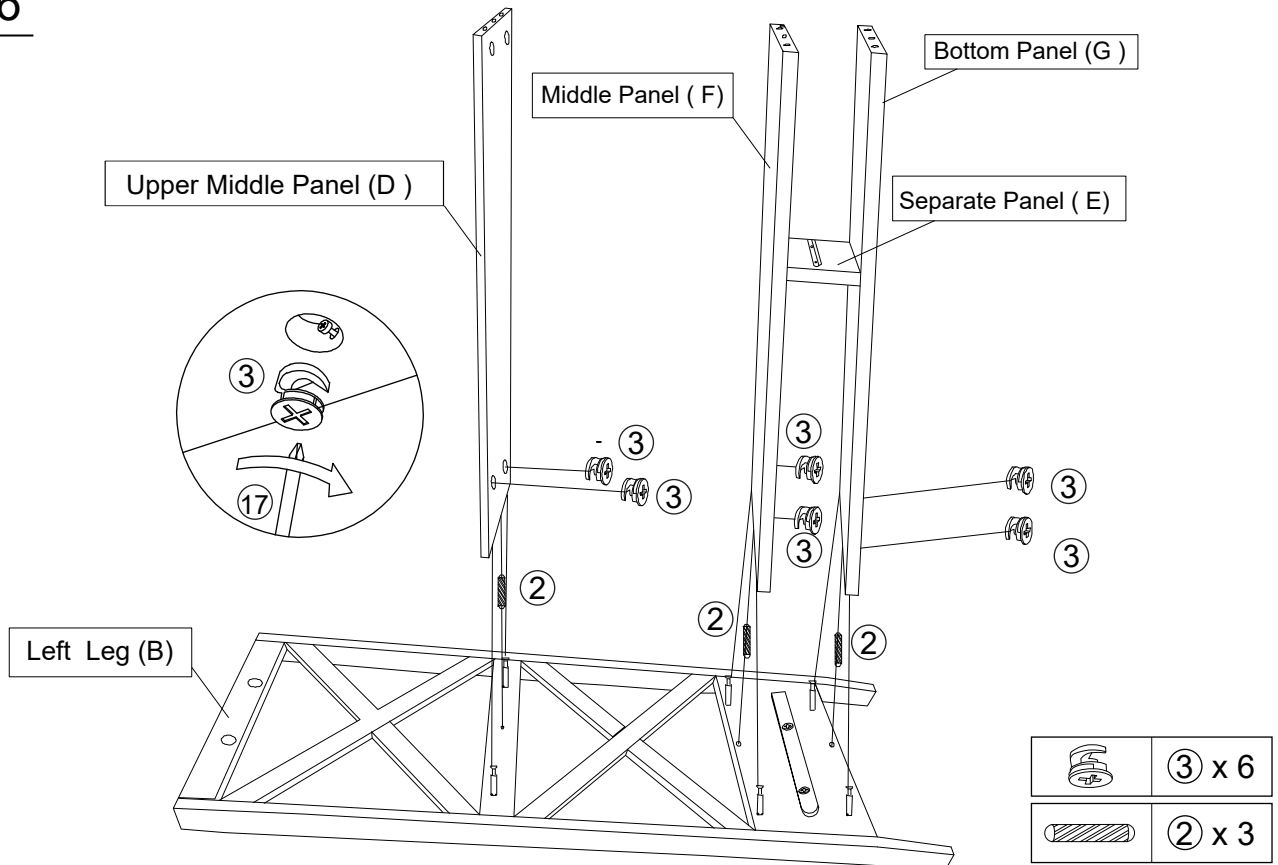
Step 5



5.1) Attach Separate Panel (E) to Middle Panel (F) then insert Cam Nut (③) into Separate Panel (E) using Screwdriver (⑰) turning clockwise until tight.

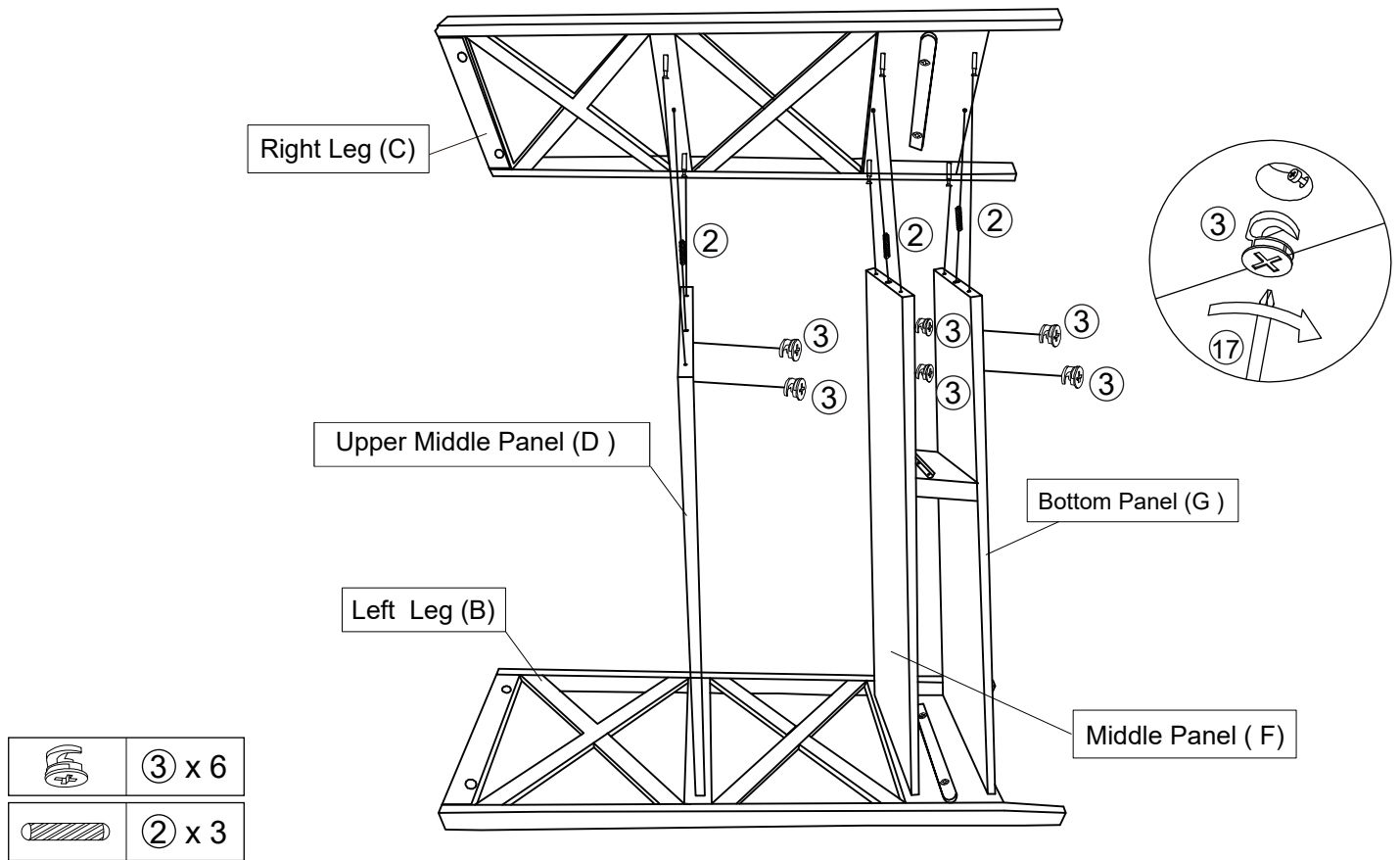
5.2) Attach Bottom Panel (G) to Separate Panel (E) with Screw (⑪) using Screwdriver (⑰)

Step 6



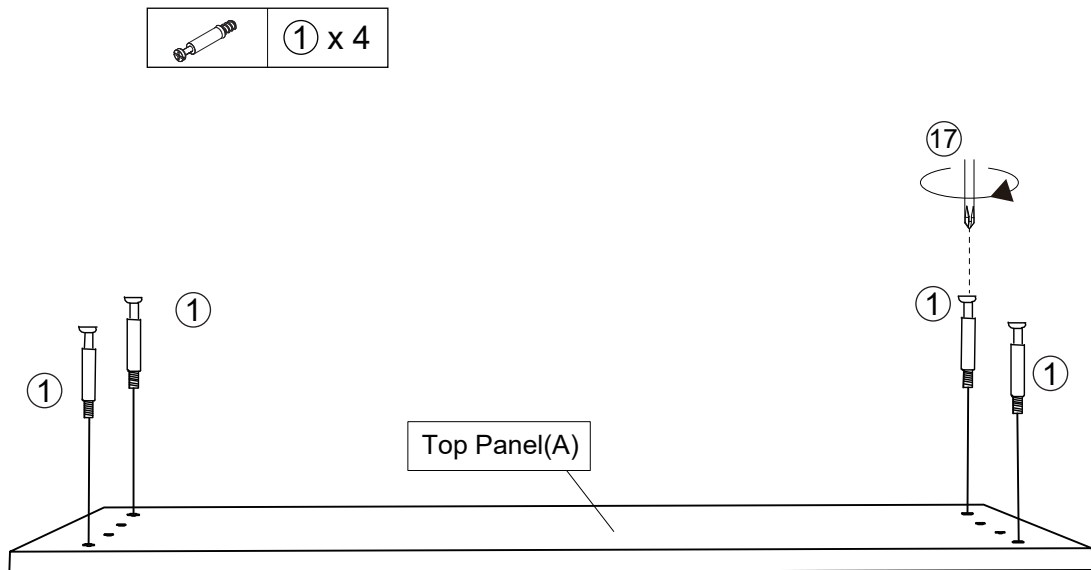
Attach Upper Middle Panel (D) , Middle Panel (F) and Bottom Panel (G) to Left Leg (B) with Dowel (②) , then insert Cam Nut (③) into Upper Middle Panel (D) , Middle Panel (F) and Bottom Panel (G) using Screwdriver (⑰) turning clockwise until tight.

Step 7



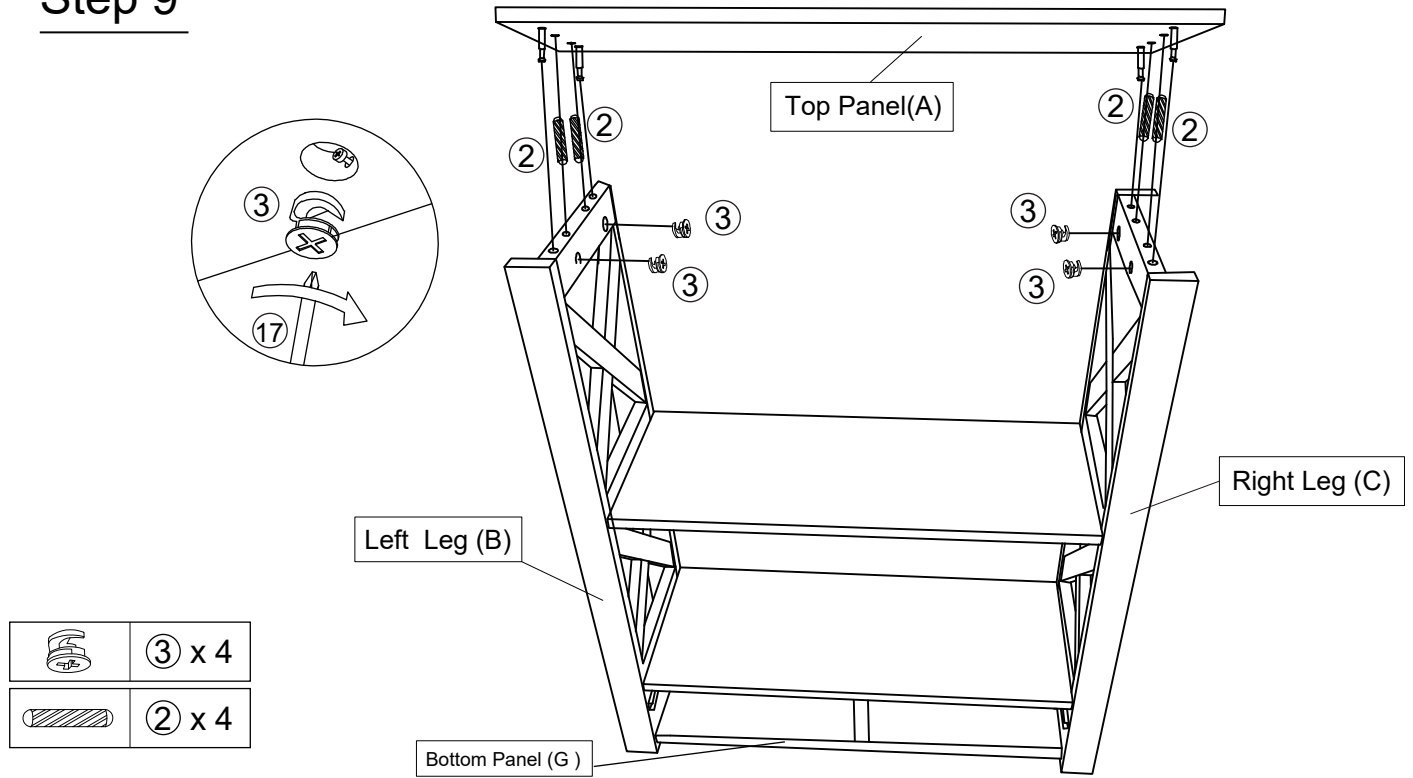
Attach Right Leg (C) to Upper Middle Panel (D), Middle Panel (F) and Bottom Panel (G) with Dowel (②) then insert Cam Nut (③) into Upper Middle Panel (D), Middle Panel (F) and Bottom Panel (G) using Screwdriver (⑰) turning clockwise until tight.

Step 8



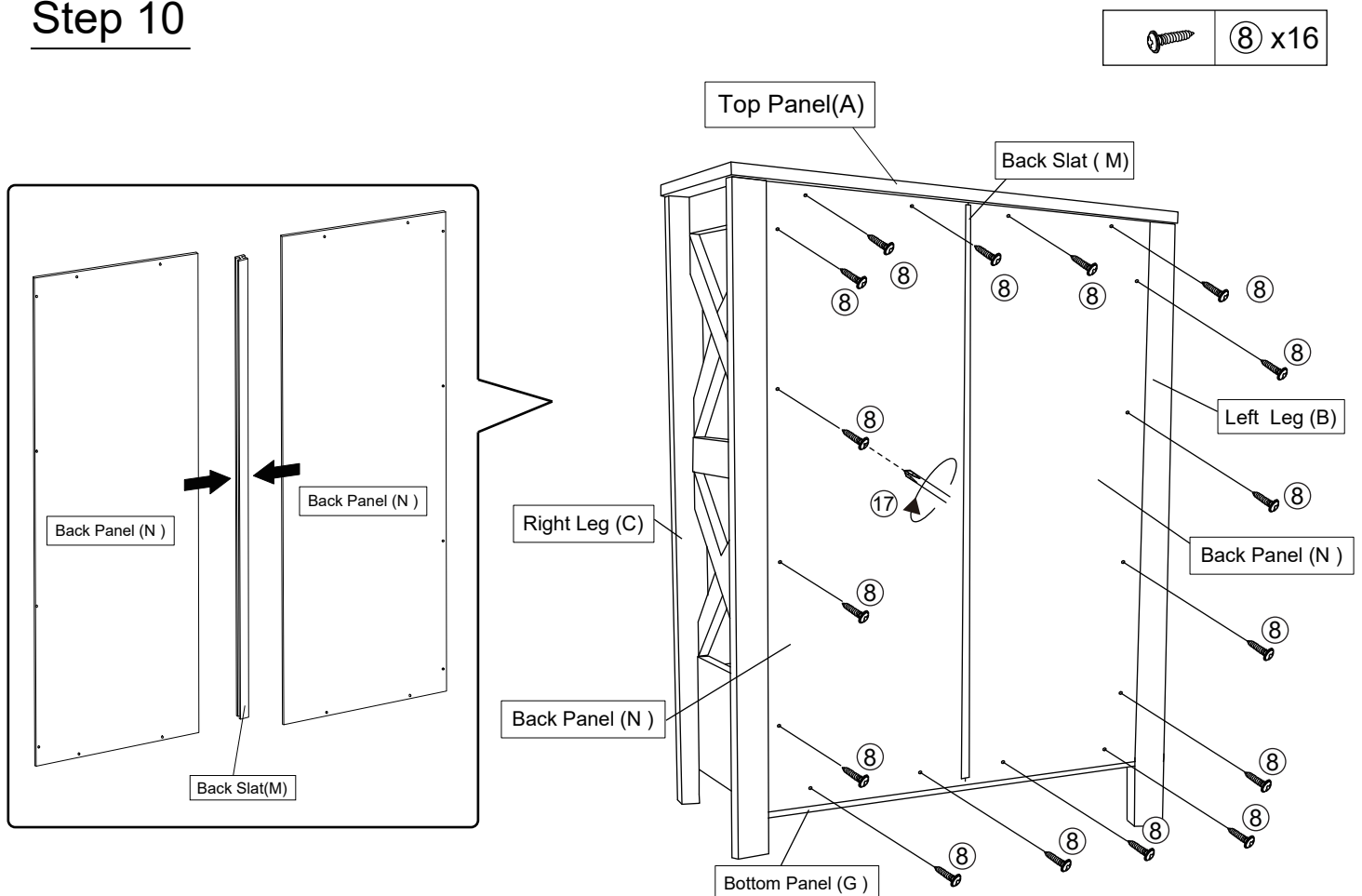
Insert Cam Bolt (①) into the mounting positions on Top Panel (A) using screwdriver (⑰).

Step 9



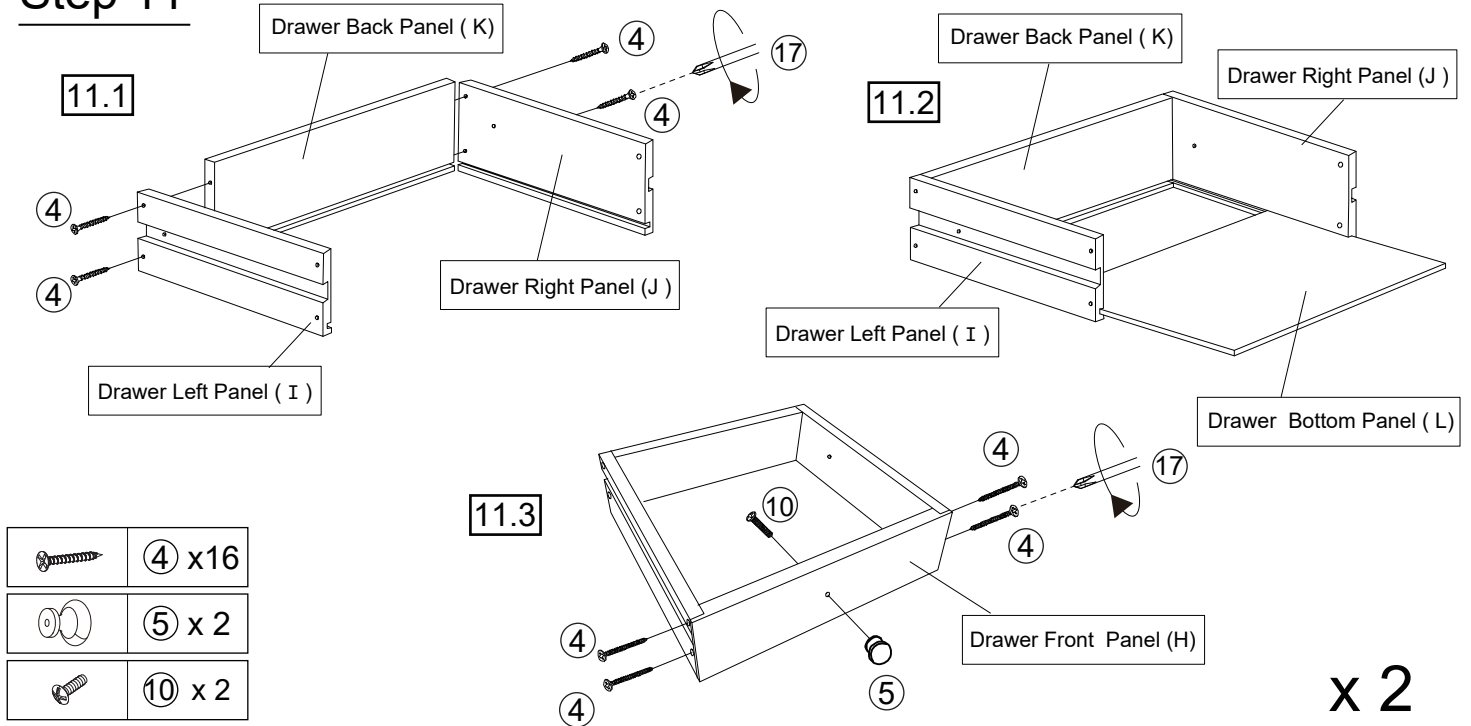
Position the Bottom Panel (G) right side up. Attach Top Panel (A) to Left Leg (B) and Right Leg (C) with Dowel (②), then insert Cam Nut (③) into the mounting positions on Left Leg (B) and Right Leg (C) using Screwdriver (①⑷) turning clockwise until tight.

Step 10



Insert Back Panel (N) into groove of Back Slat (M), then attach the whole Back Panel to Top Panel (A), Left Leg (B), Right Leg (C) and Bottom Panel (G) with Screw (⑧) using Screwdriver (①⑷).

Step 11

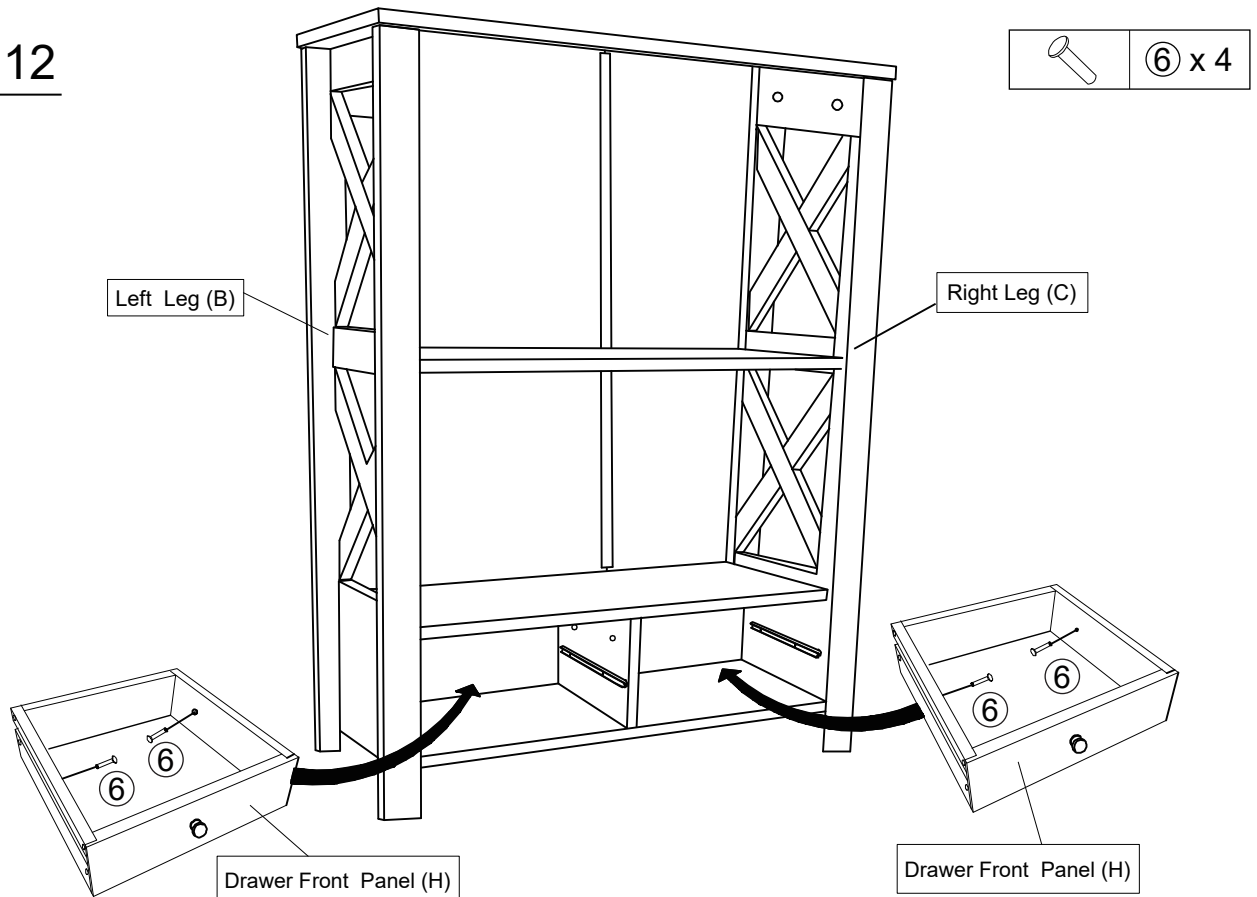


11.1) Attach Drawer Left Panel (I) and Drawer Right Panel (J) to Drawer Back Panel (K) with Screw (4) using Screwdriver (17).

11.2) Insert Drawer Bottom Panel (L) into drawer groove of Drawer Left Panel (I) and Drawer Right Panel (J).

11.3) Attach Drawer Front Panel (H) with Screw (4) using Screwdriver (17). Attach Knob (5) to the Drawer Front Panel (H) with Knob Bolt (10) using Screwdriver (17).

Step 12



Put Drawer into and insert Drawer Stopper (6).






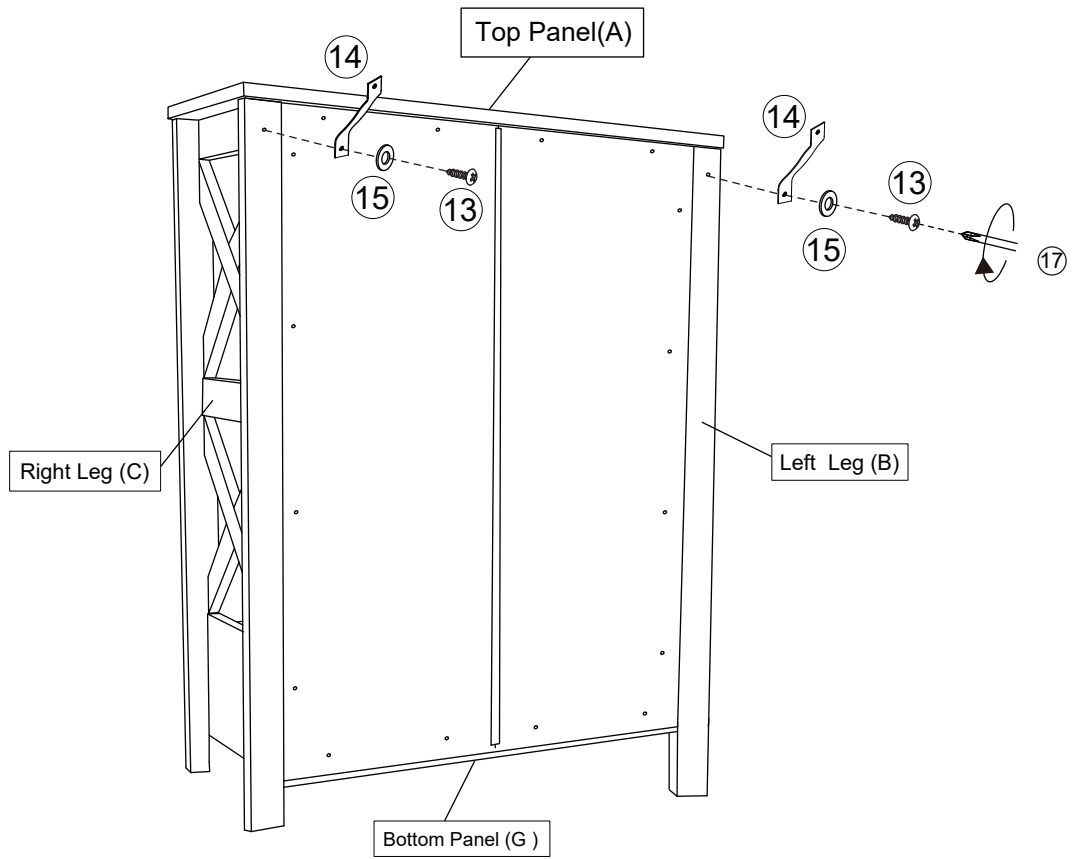
WARNING

Serious or fatal crushing injuries can occur from tipping furniture. To help prevent tip-over: ALWAYS secure this furniture to the wall using Cabinet Restraint Device. See product instructions for more ways to help prevent furniture tip-over.



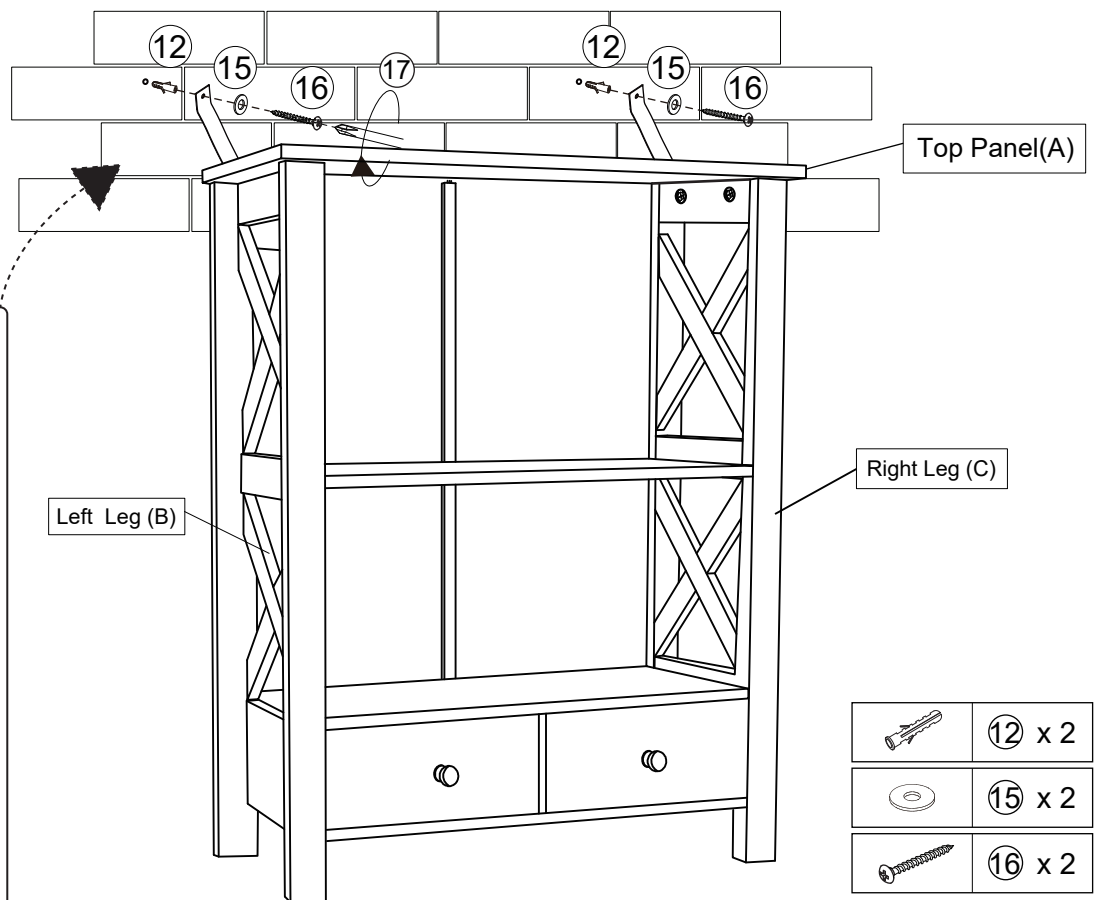
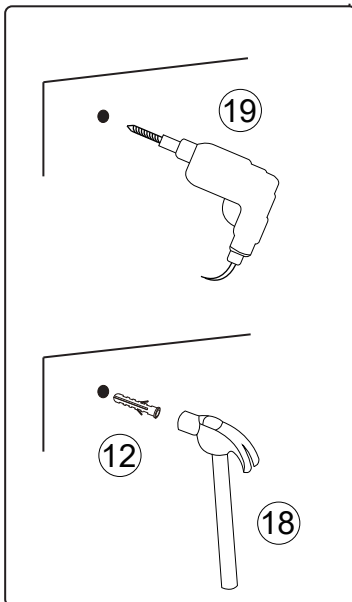
Step 13



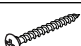
	⑬ x 2
	⑭ x 2
	⑮ x 2



Attach Restraint Strap (⑭) to Left Leg (B) and Right Leg (C) with Screw (⑬) and Metal Gasket (⑮) using Screwdriver (⑰).

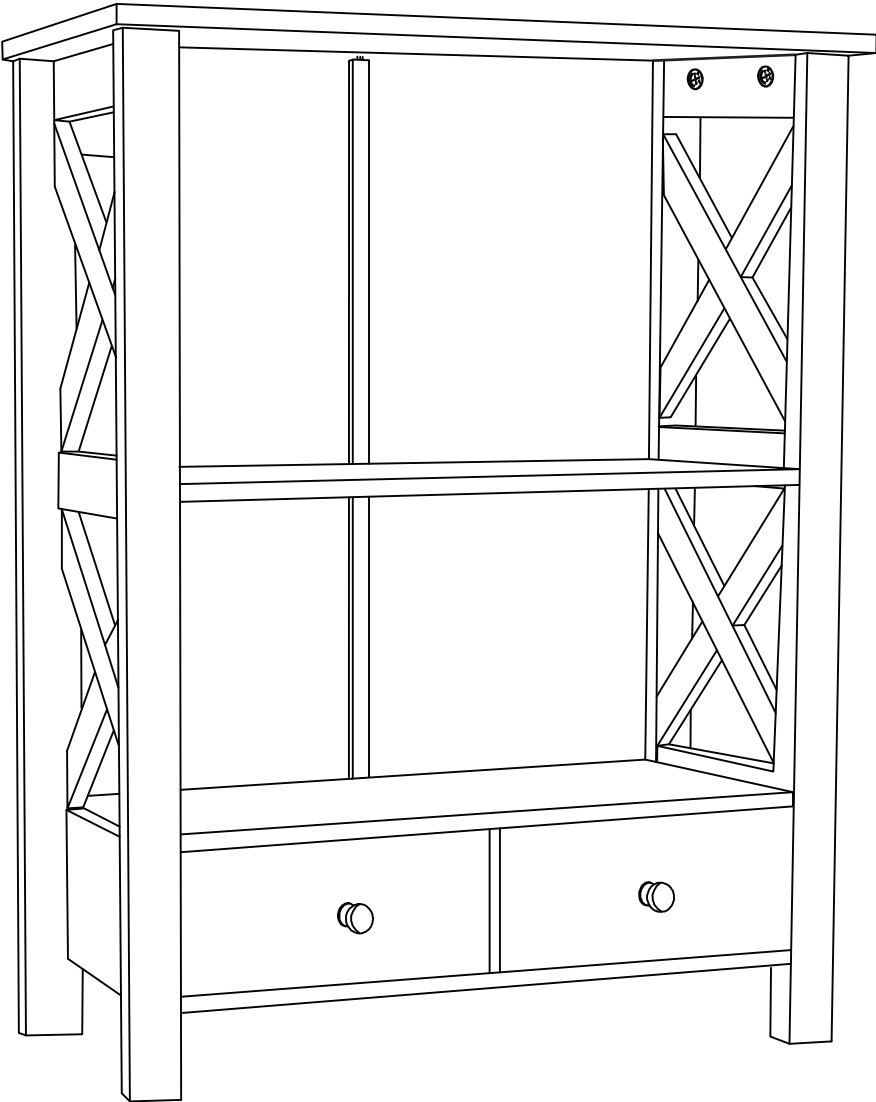
Step 14



	⑫ x 2
	⑮ x 2
	⑯ x 2

Drill mounting positions on the wall with Power Drill (⑲), insert Wall Anchor (⑫) into drilled mounting positions on the wall with Hammer (⑱). Move the cabinet back to the wall, lock by Screw (⑯) and Metal Gasket (⑮) with Screwdriver (⑰).

Step 14



Your Cabinet is ready for use

Care & Maintenance



- Furniture may scratch floors. We recommend using furniture pads to protect your floors.



- Do not put hot items directly on furniture surface.



- Do not clean furniture with harsh cleansers or polish.



- Do not place furniture under direct sunlight.



- Do not place furniture near heating or cooling vents.



- Do not write on furniture without a padded barrier to protect the surface.



- Do not place furniture outside . For indoor use only.



- Not for commercial use. For residential use only.



- Stains may be removed with mild soap solution and damp cloth.



- Children should not climb or jump on the furniture.



- Dust and pick-up spills using a clean, non-colored, lint-free cloth.