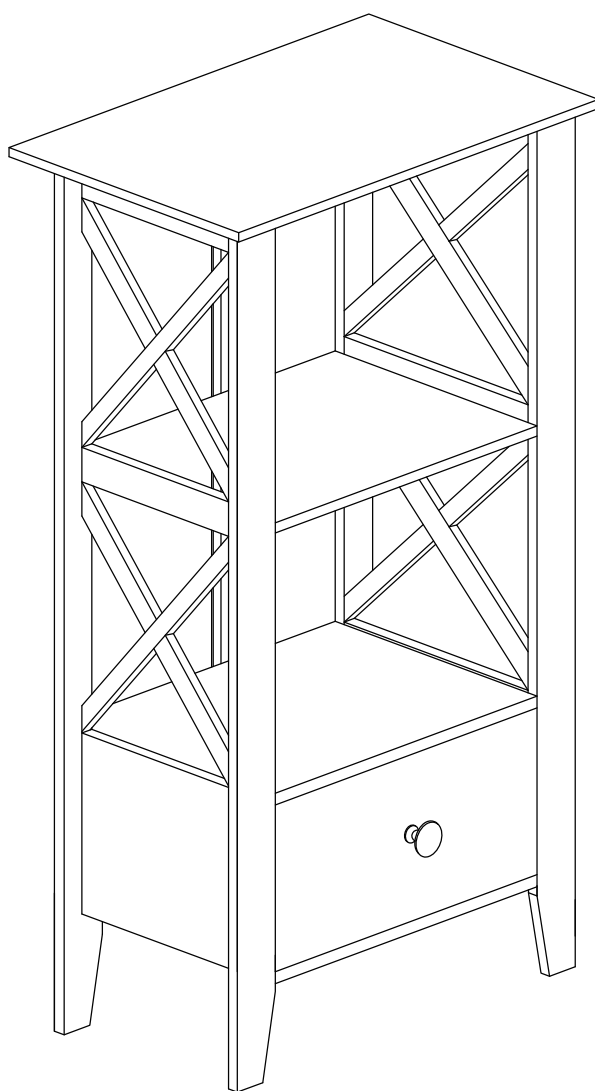


# Assembly Instructions

**Caution : You must read this before you proceed**

**Please look in the magic tape for hardware packs and legs.**

## Shelf



# WARNING!!

Children have died from furniture tipover. Tip restraints have been included with this product; you must install the tip restraints according to these instructions in order to minimize the risk of furniture tipping. If you have any questions about this product or the tip restraint, please send us an email at [tip\\_restraint\\_help@Noblehousefurniture.com](mailto:tip_restraint_help@Noblehousefurniture.com)

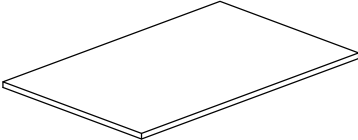
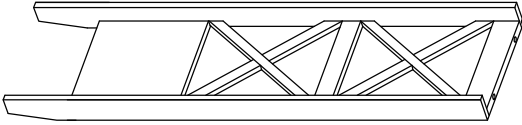
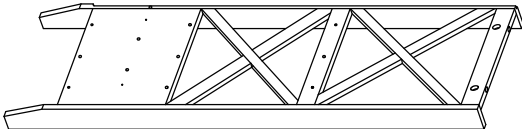
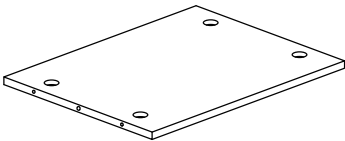
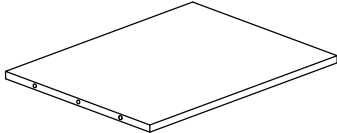
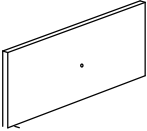
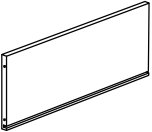
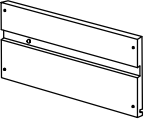
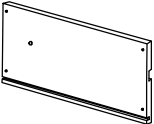
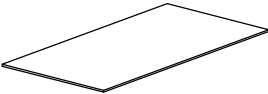


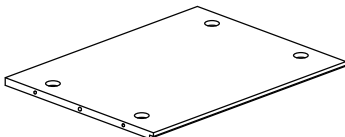
**NEVER** allow children to climb or hang on furniture, including drawers or cabinet doors.

In addition to installing the restrains, to help prevent tip-over

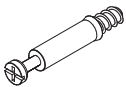
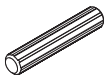


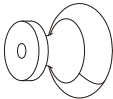



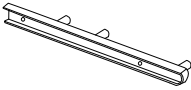
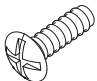
1. **NEVER** put a TV or other heavy objects on top of this product".
2. Do not stand on the product

<b>⚠ WARNING</b>	
	<p>Children have died from furniture tipover. To reduce the risk of furniture tipover:</p> <ul style="list-style-type: none"><li>• ALWAYS install tipover restraint provided.</li><li>• NEVER put a TV on this product.</li><li>• NEVER allow children to stand, climb or hang on drawers, doors, or shelves.</li><li>• NEVER open more than one drawer at a time.</li><li>• Place heaviest items in the lowest drawers.</li><li>• Do not defeat or remove the drawer interlock system.</li></ul> <p><i>This is a permanent label. Do not remove!</i></p>
	





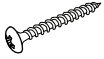

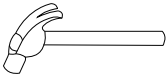

# Parts List

Label	Picture	Description	QTY
A		Top Panel	1
B		Left Leg	1
C		Right Leg	1
D		Panel	1
E		Settled Panel	1
F		Drawer Front Panel	1
G		Drawer Back Panel	1
H		Drawer Left Panel	1
I		Drawer Right Panel	1
J		Drawer Bottom Panel	1
K		Back Panel	2
L		Back Slat	1
M		Bottom Panel	1

# Hardware

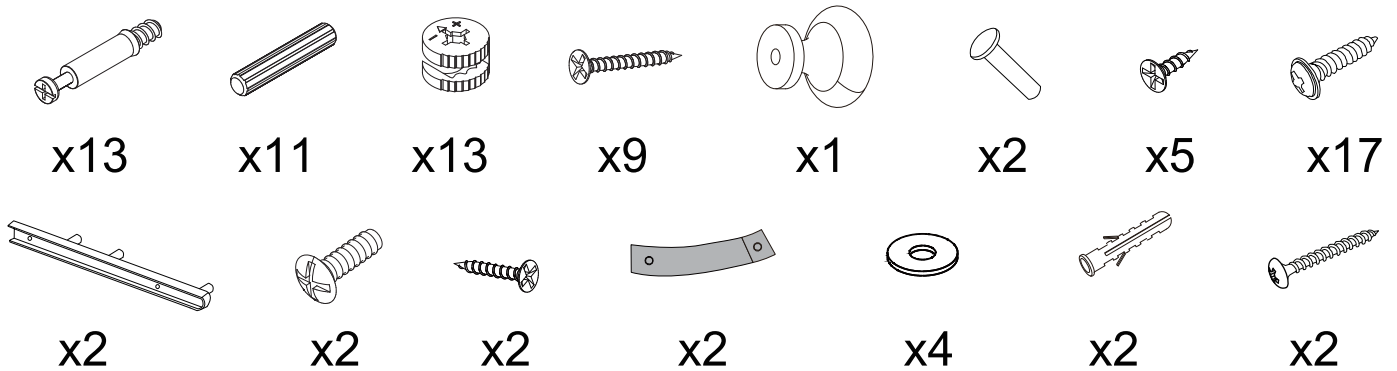
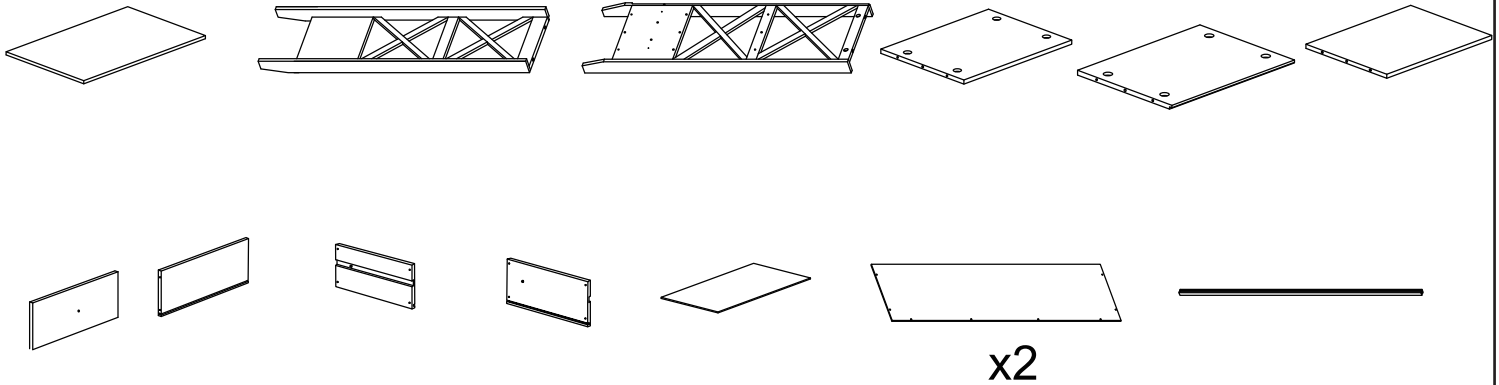
Label	Picture	Description	QTY
①		Cam Bolt	13
②		Dowel	11
③		Cam Nut	13
④		Screw (M3x25mm)	9
⑤		Knob	1
⑥		Drawer Stopper	2
⑦		Screw (M3x8mm)	5
⑧		Screw (M3x10mm)	17
⑨		Slide	2
⑩		Knob Bolt (M4x16mm)	2

## Restraint Device Hardware

⑪		Screw (M4x12mm)	2
⑫		Restraint Strap	2
⑬		Metal Gasket	4
⑭		Wall Anchor Screw	2
⑮		Screw (M4x35mm)	2
⑯		Screwdriver (Not provided)	1
⑰		Hammer (Not provided)	1
⑱		Power Drill (Not provided)	1

# Assembly Preparation

Before Beginning Assembly:



- Read instructions, cover to cover-



- Have 2 adults on hand for assembly-



- Do not assemble on flooring or carpet-



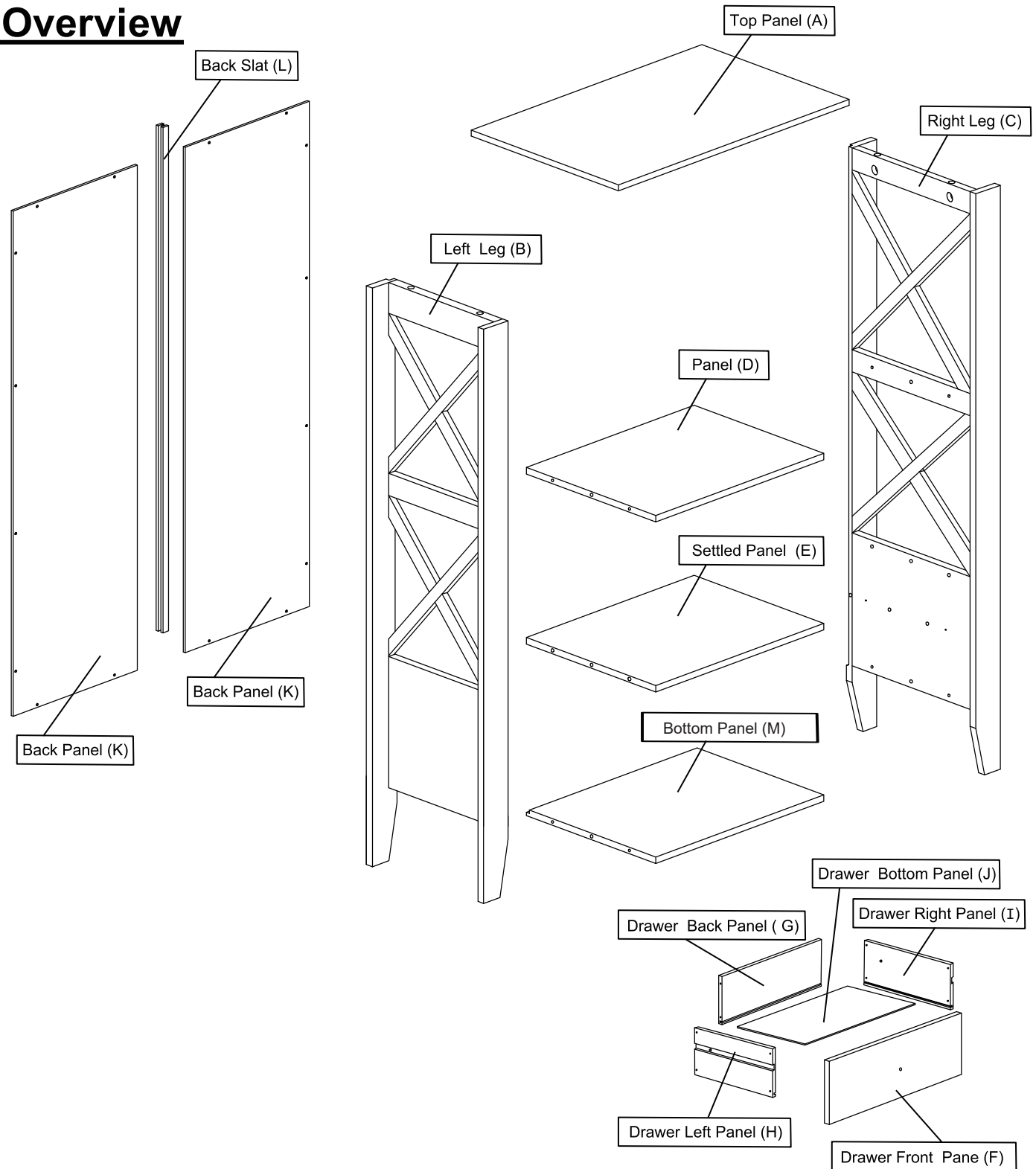
- Assemble on a clean non-marring surface (packing foam)-



- Save all packaging until finished-

# Assembly Steps

## Overview

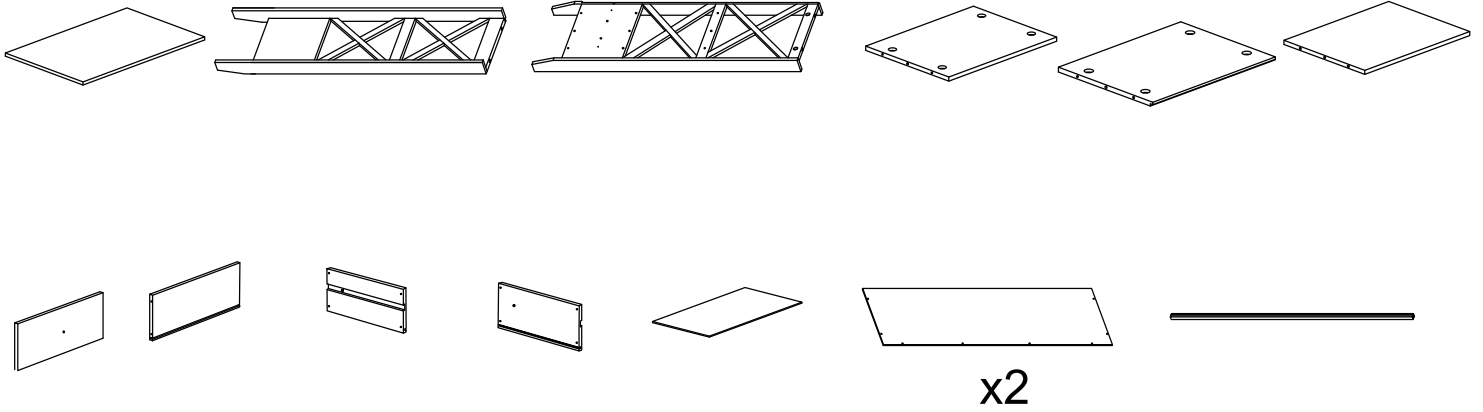


This Cabinet has multiple parts and may require up to 60 minutes to assemble.

To give you an overview of the Cabinet parts, the above picture is to help you put the various parts into perspective.

Please read through the instructions below to familiarise yourself with the parts and steps before assembly.

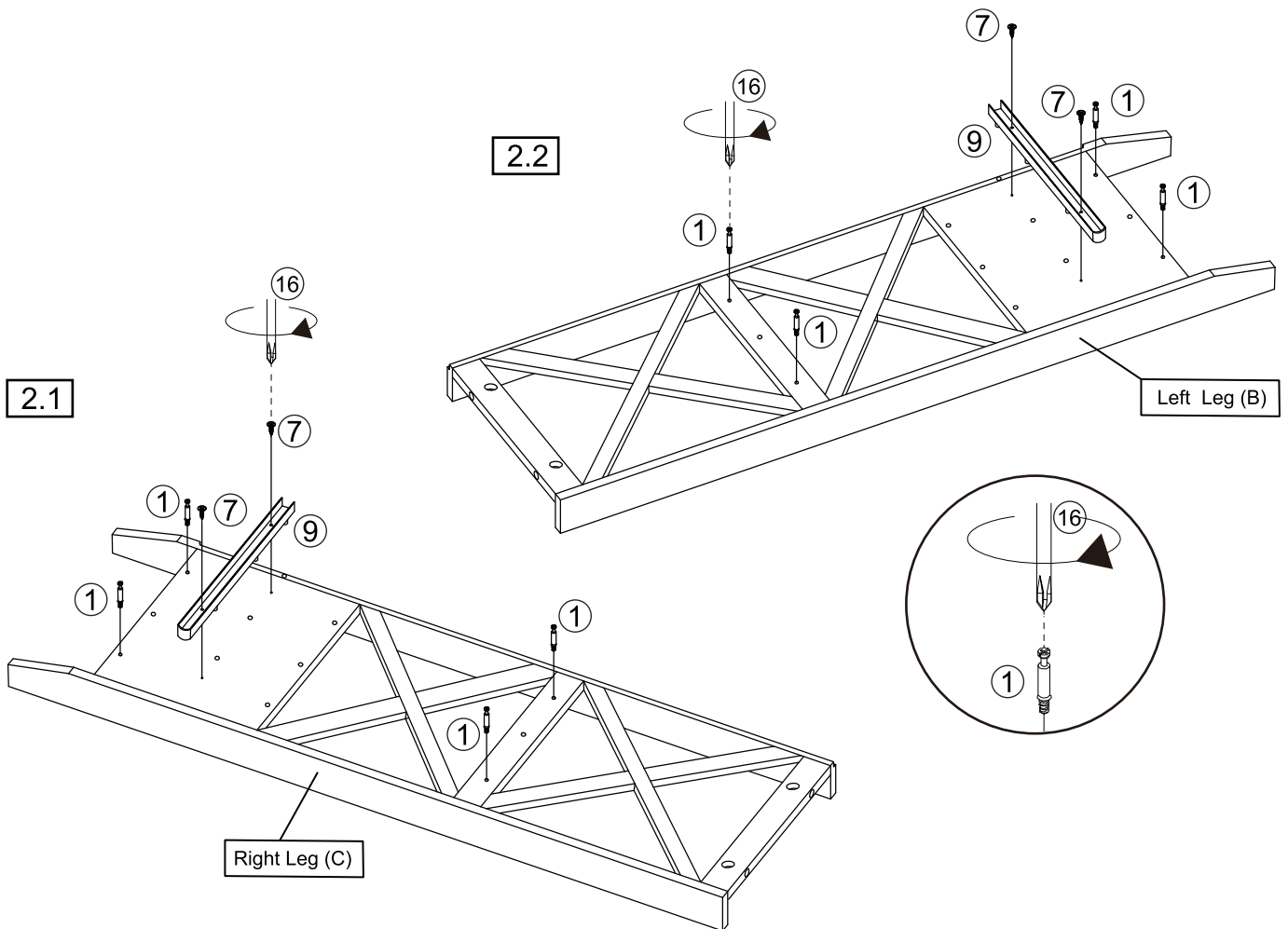
# Step 1



Unpack and place all parts on a clean, non-marring surface.

# Step 2

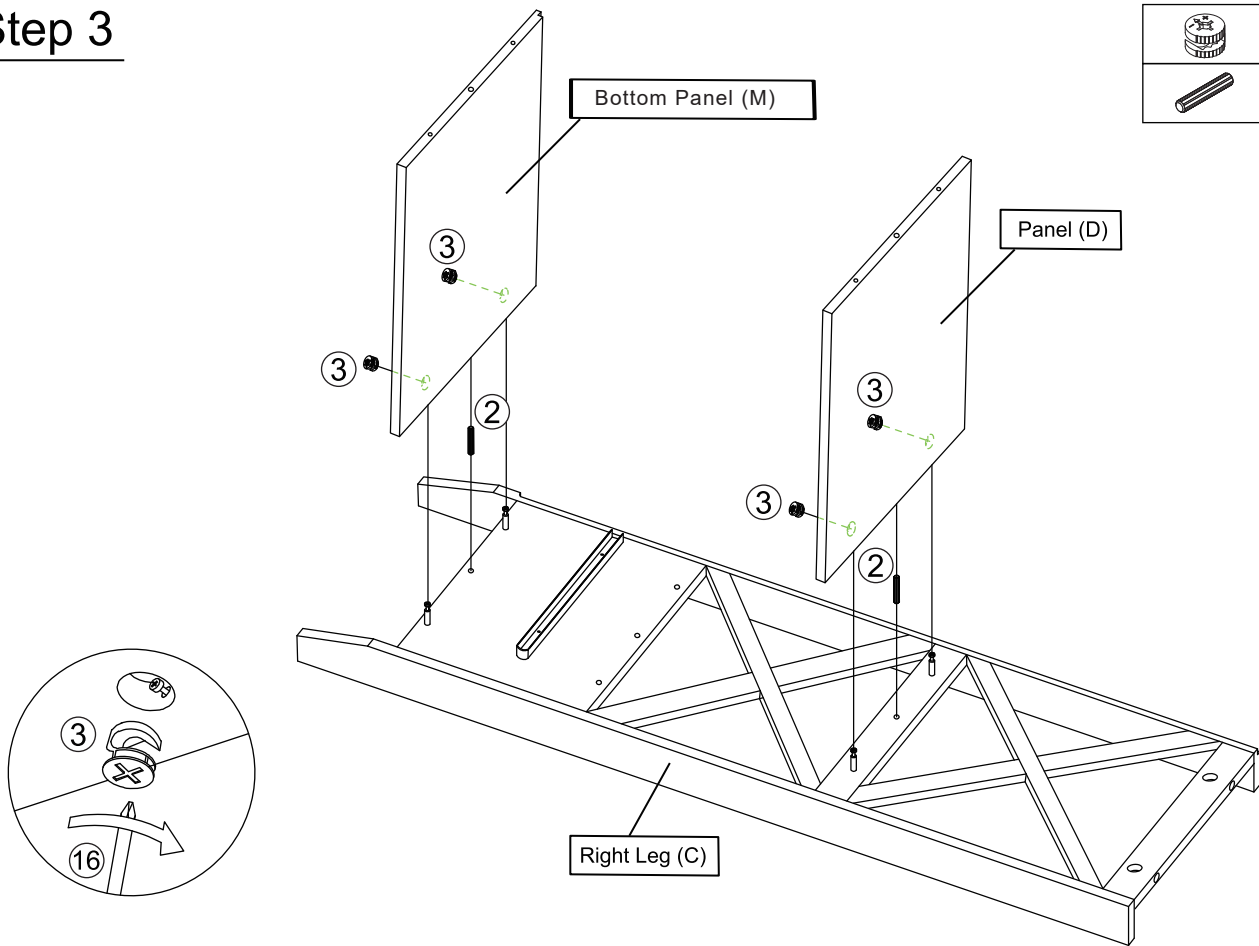
	① x 8		⑦ x 4
	⑨ x 2		⑯ x 1



- 2.1) Insert Cam Bolt (①) into the mounting positions on Right Leg (C) using Screwdriver (⑯). Then Attach Slide (⑨) on Right Leg (C) with Screw (⑦) using Screwdriver (⑯).
- 2.2) Repeat the same step with Left Leg (B).

### Step 3

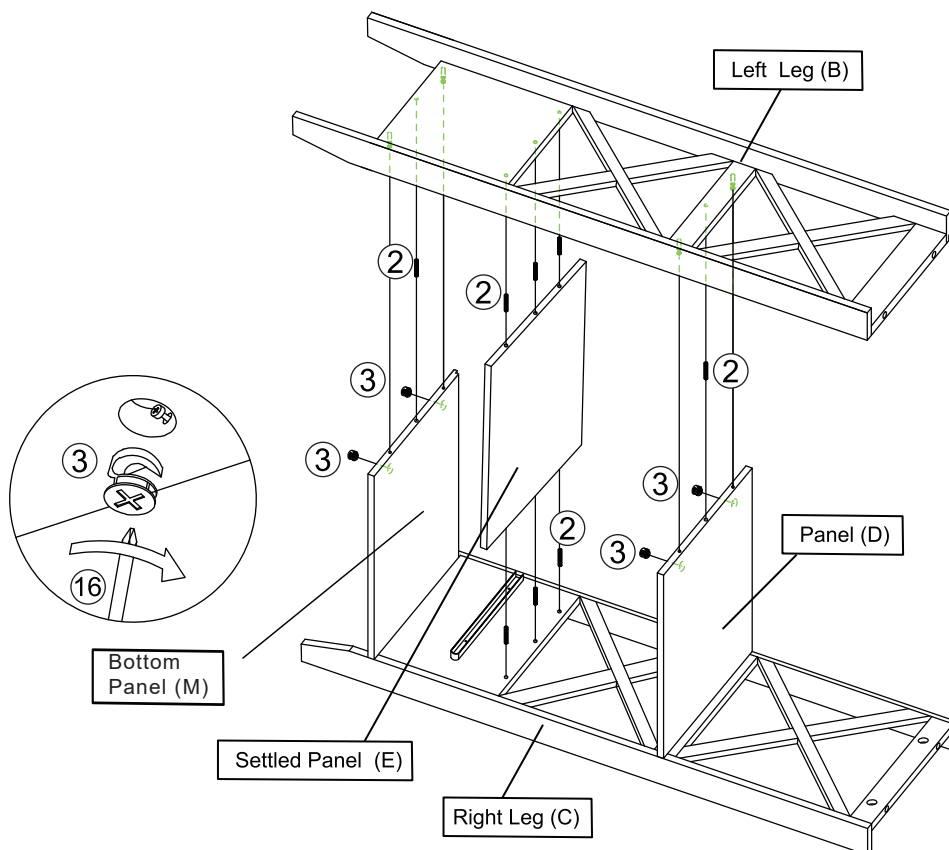
	③ x 4
	② x 2



Attach Panel (D) and Bottom Panel (M) to Right Leg (C) with Dowel (②), then insert Cam Nut (③) into Panel (D) and Bottom Panel (M) using Screwdriver (⑯) turning clockwise until tight.

### Step 4

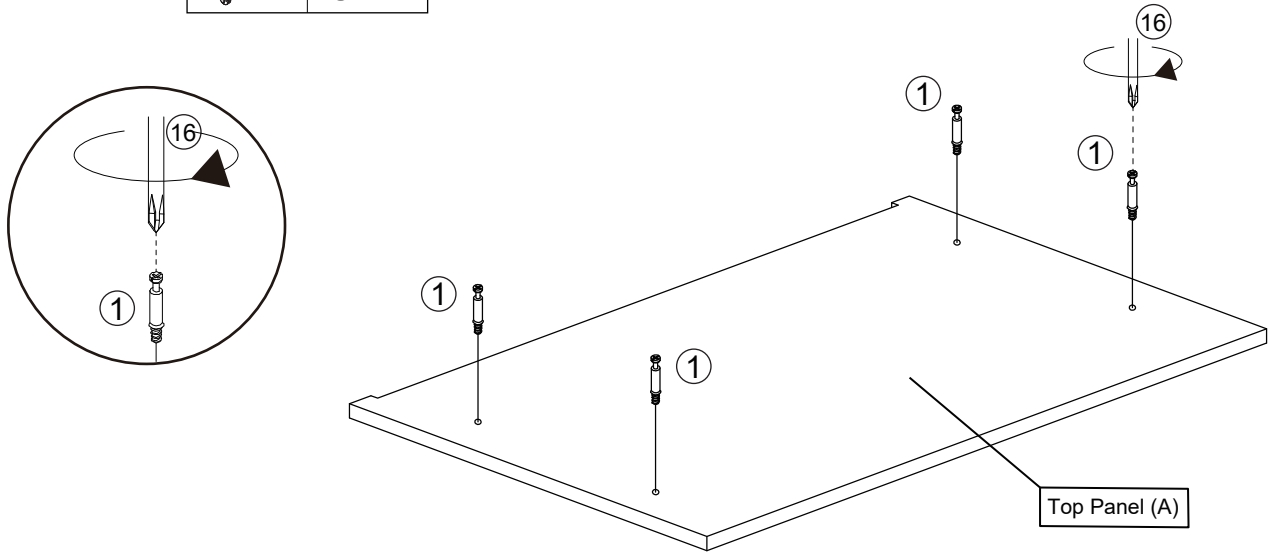
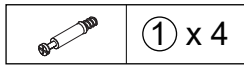
	③ x 4
	② x 8



Attach Settled Panel (E) to Right Leg (C) with Dowel (②), then attach Left Leg (B) to Panel (D), Bottom Panel (M) and Settled Panel (E) with Dowel (②), then insert Cam Nut (③) into Panel (D) and Bottom Panel (M) using Screwdriver (⑯) turning clockwise until tight.

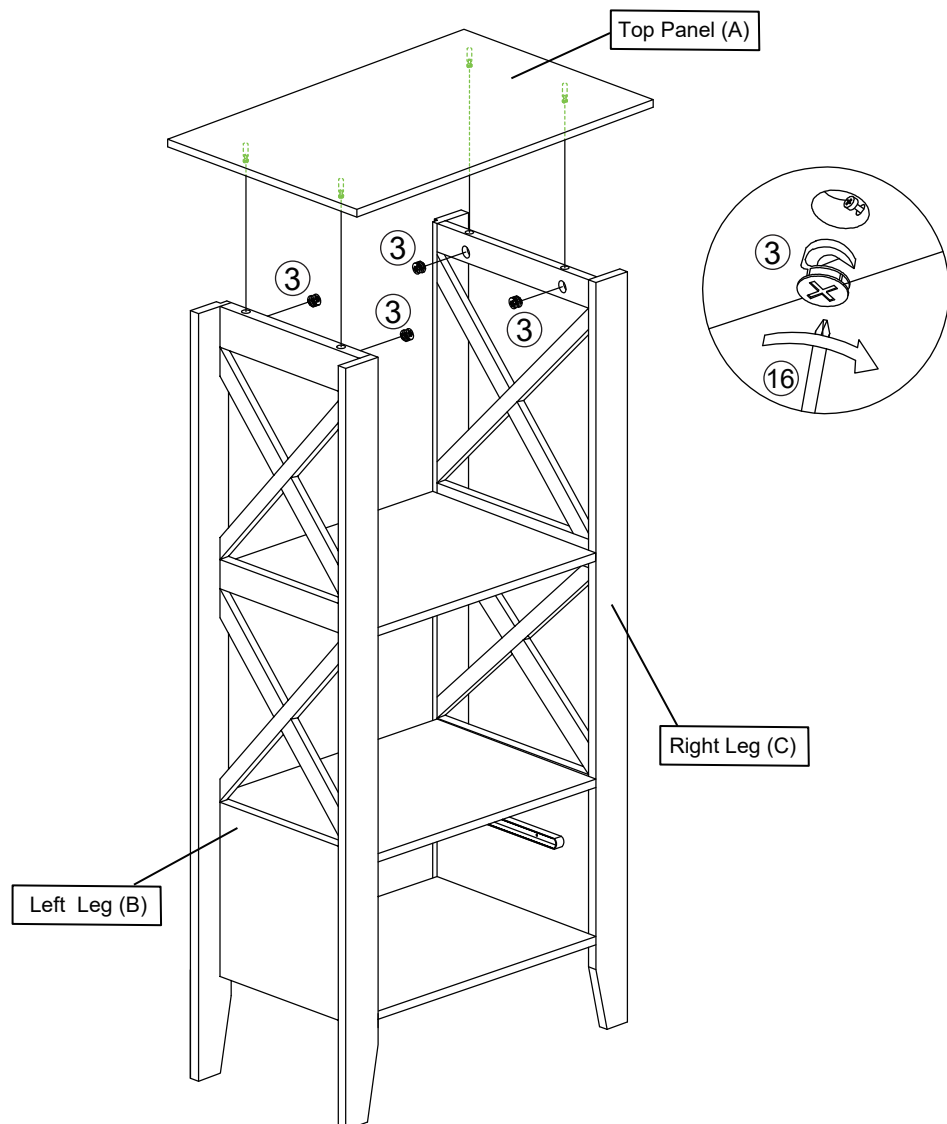
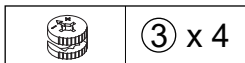


## Step 5



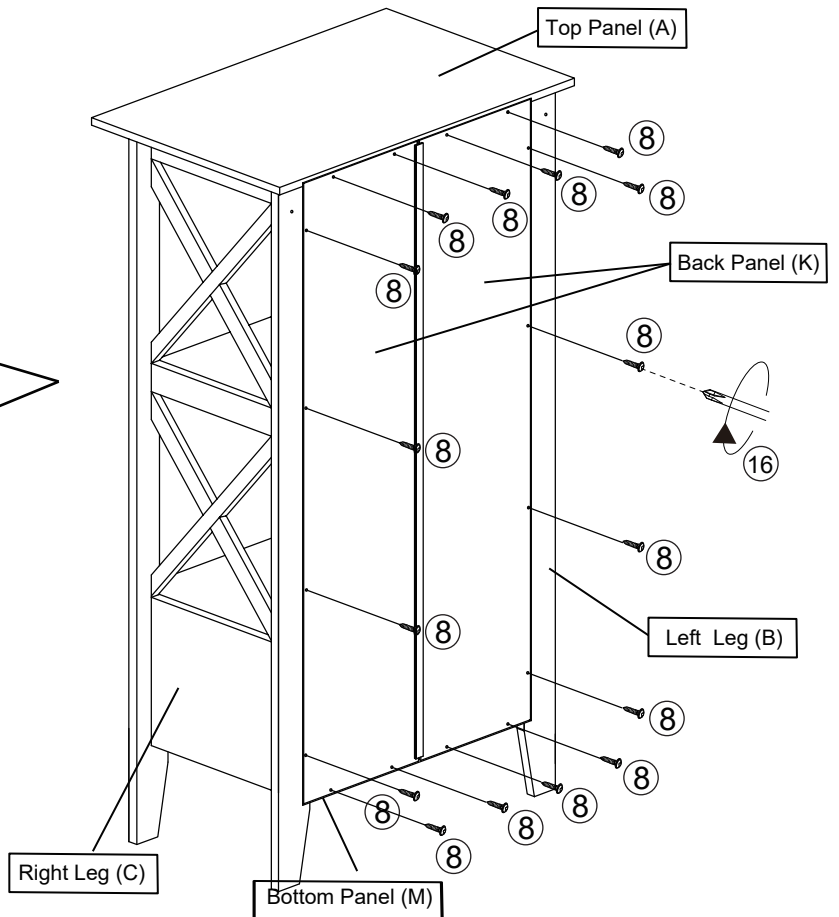
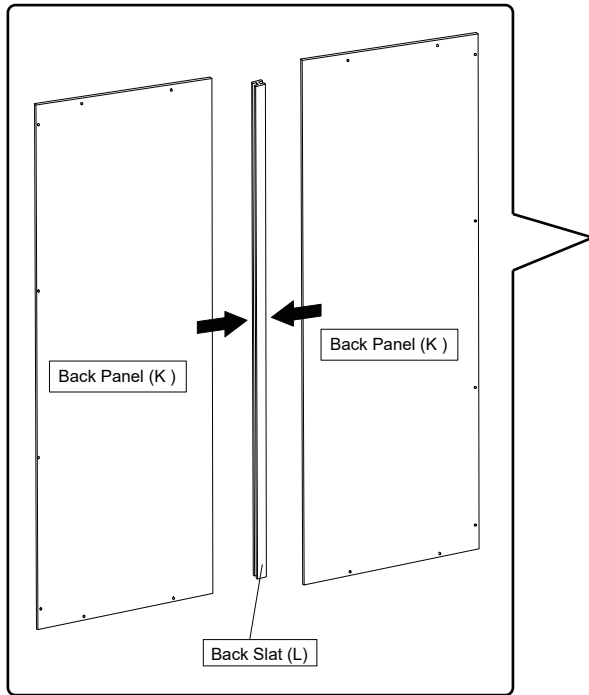
Insert Cam Bolt (1) into the mounting positions on Top Panel (A) using Screwdriver (16).

## Step 6



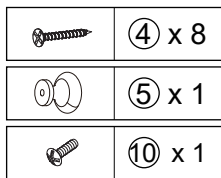
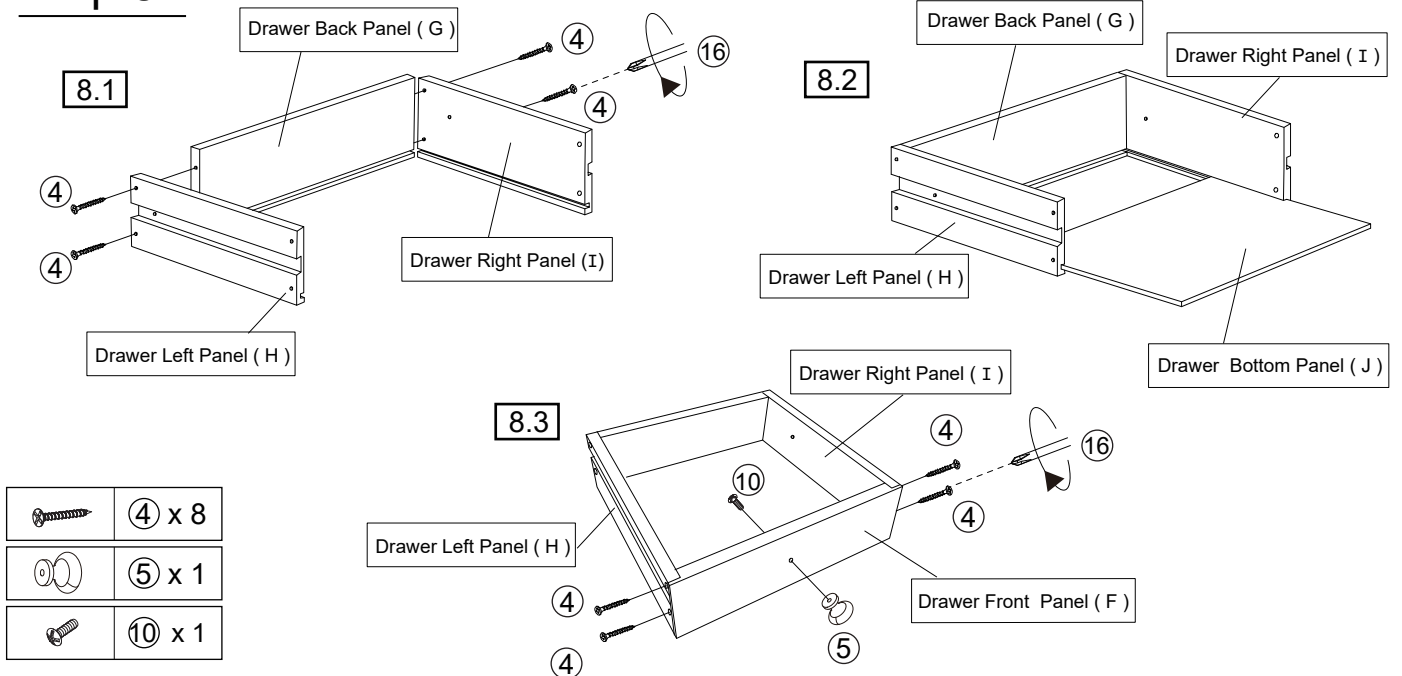
Position the Left Leg (B) and Right Leg (C) right side up. Attach Top Panel (A) to Left Leg (B) and Right Leg (C), then insert Cam Nut (3) into Left Leg (B) and Right Leg (C) using Screwdriver (16) turning clockwise until tight.

## Step 7



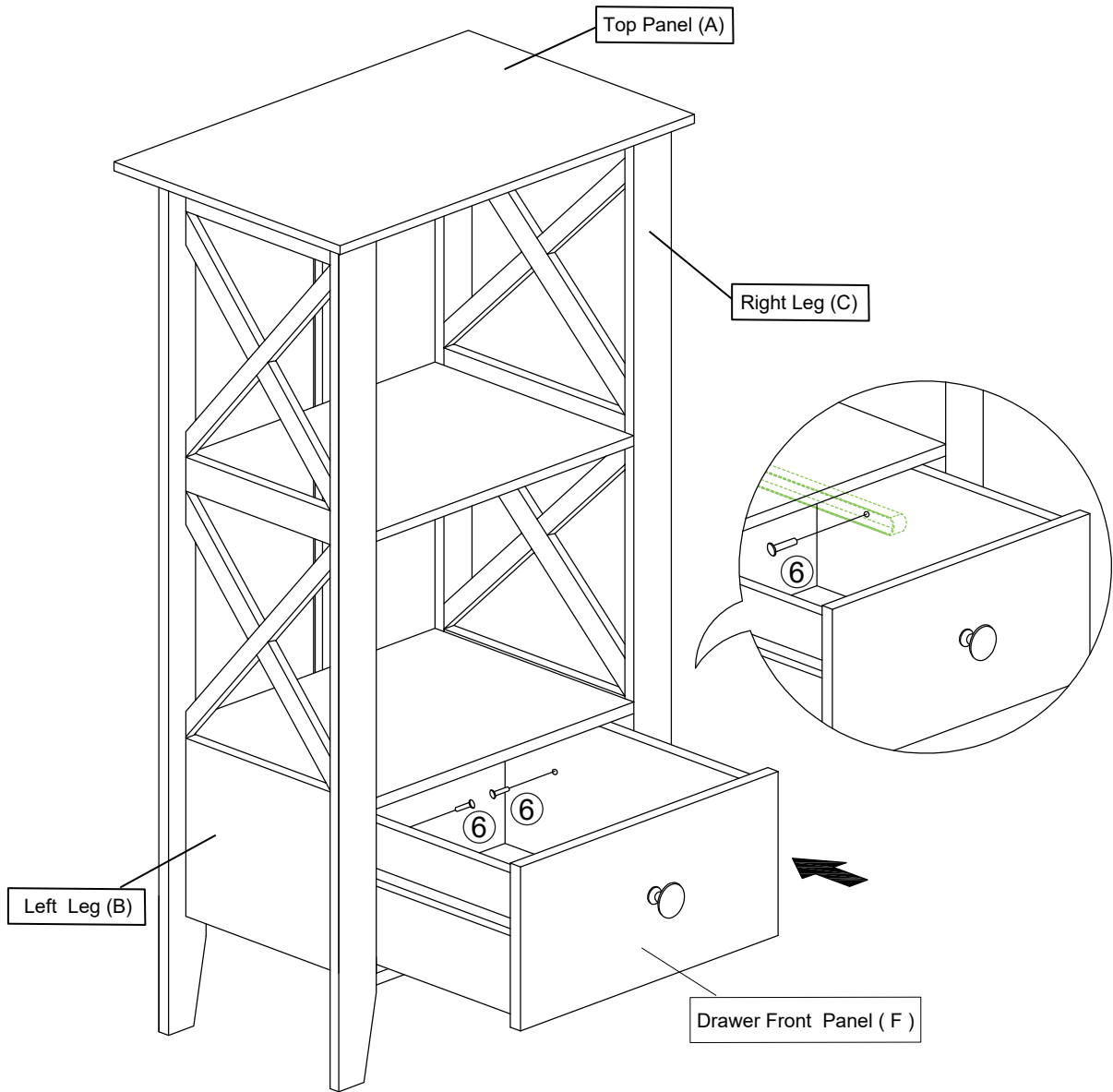
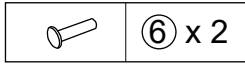
Insert Back Panel (K) into groove of Back Slat (L), then attach the whole Back Panel to Top Panel (A), Left Leg (B), Right Leg (C) and Bottom Panel (M) with Screw (8) using Screwdriver (16)

## Step 8



- 8.1) Attach Drawer Left Panel (H) and Drawer Right Panel (I) to Drawer Back Panel (G) with Screw (4) using Screwdriver (16).
- 8.2) Insert Drawer Bottom Panel (J) into drawer groove of Drawer Left Panel (H) and Drawer Right Panel (I).
- 8.3) Attach Drawer Front Panel (F) to Drawer Left Panel (H) and Drawer Right Panel (I) with Screw (4) using Screwdriver (16). Attach Knob (5) to Drawer Front Panel (F) with Knob Bolt (10) using Screwdriver (16).

# Step 9



Put Drawer into and insert Drawer Stopper (6).

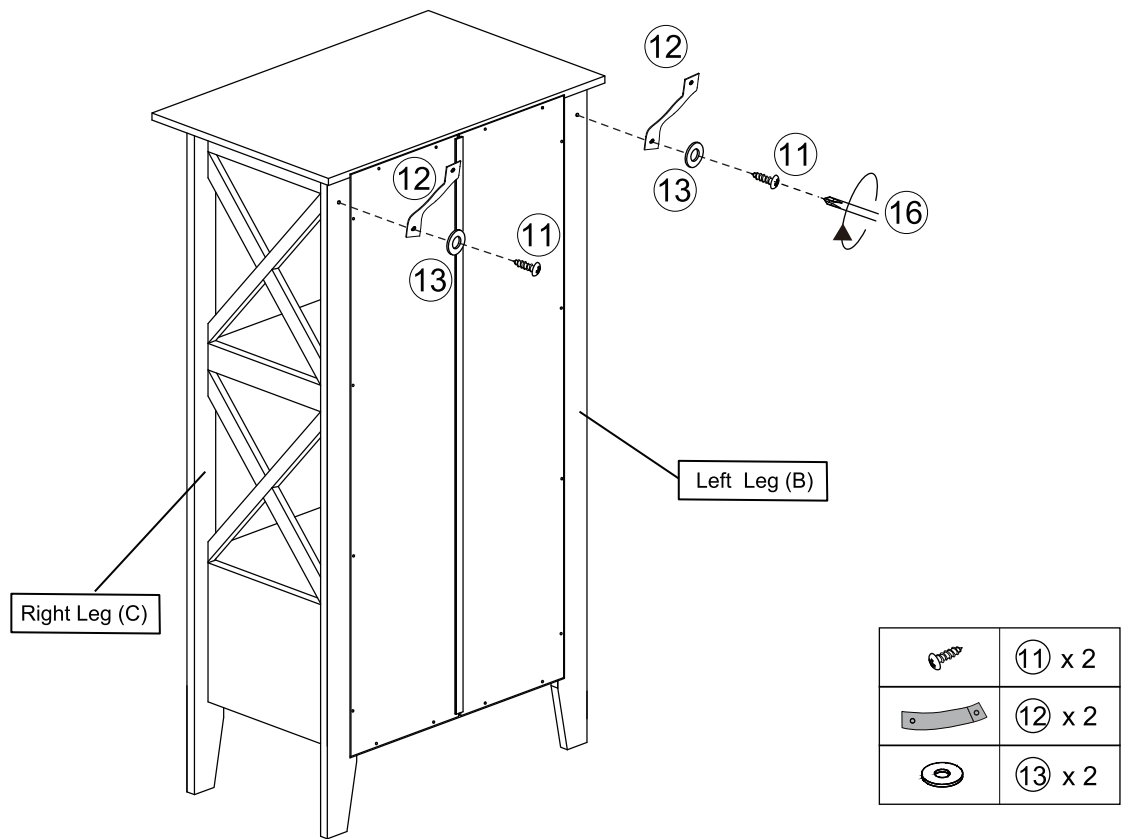


## WARNING

**Serious or fatal crushing injuries can occur from tipping furniture. To help prevent tip-over: ALWAYS secure this furniture to the wall using Cabinet Restraint Device. See product instructions for more ways to help prevent furniture tip-over.**

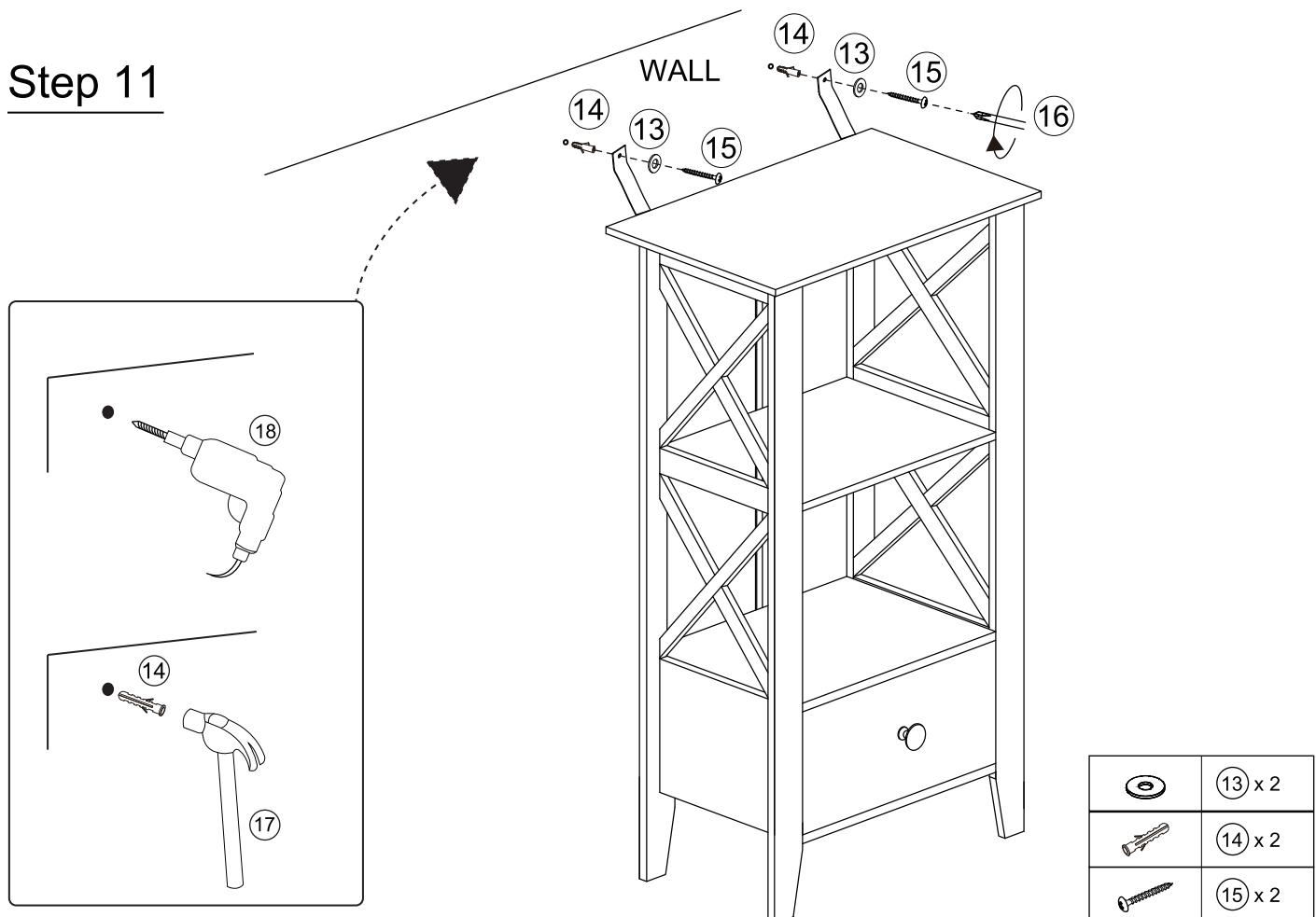


## Step 10



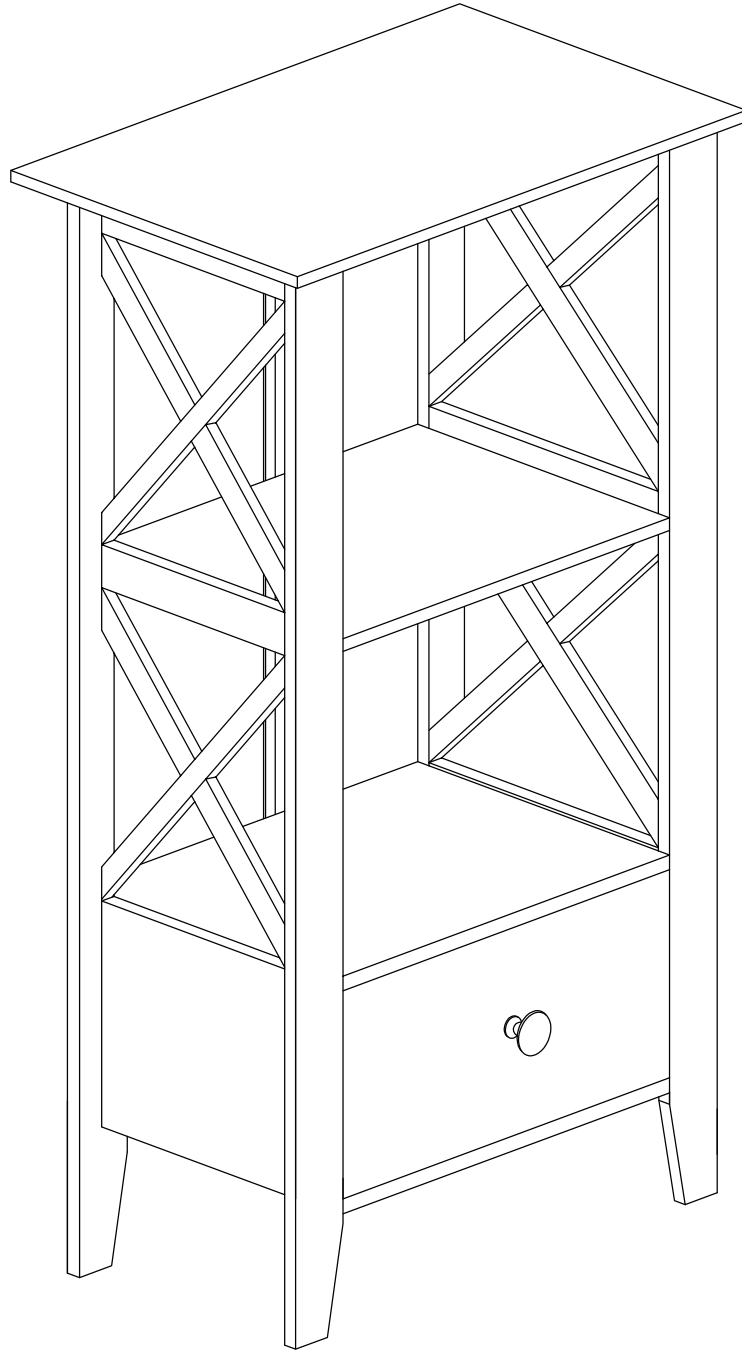
Attach Restraint Strap (12) to Left Leg (B) and Right Leg (C) with Screw (11) and Metal Gasket (13) using Screwdriver (16).

## Step 11



Drill mounting positions on the wall with Power Drill (18), insert Wall Anchor (14) into drilled mounting positions on the wall with Hammer (17). Move the shelf back to the wall, lock by Screw (15) and Metal Gasket (13) using Screwdriver (16).

# Step 12



Your Shelf is ready for use

## **Care & Maintenance**



- Furniture may scratch floors. We recommend using furniture pads to protect your floors.



- Do not put hot items directly on furniture surface.



- Do not clean furniture with harsh cleansers or polish.



- Do not place furniture under direct sunlight.



- Do not place furniture near heating or cooling vents.



- Do not write on furniture without a padded barrier to protect the surface.



- Do not place furniture outside . For indoor use only.



- Not for commercial use. For residential use only.



- Stains may be removed with mild soap solution and damp cloth.



- Children should not climb or jump on the furniture.



- Dust and pick-up spills using a clean, non-colored, lint-free cloth.