

WARNING!!

Children have died from furniture tipover. Tip restraints have been included with this product; you must install the tip restraints according to these instructions in order to minimize the risk of furniture tipping. If you have any questions about this product or the tip restraint, please send us an email at tip_restraint_help@Noblehousefurniture.com

NEVER allow children to climb or hang on furniture, including drawers or cabinet doors.

In addition to installing the restrains, to help prevent tip-over

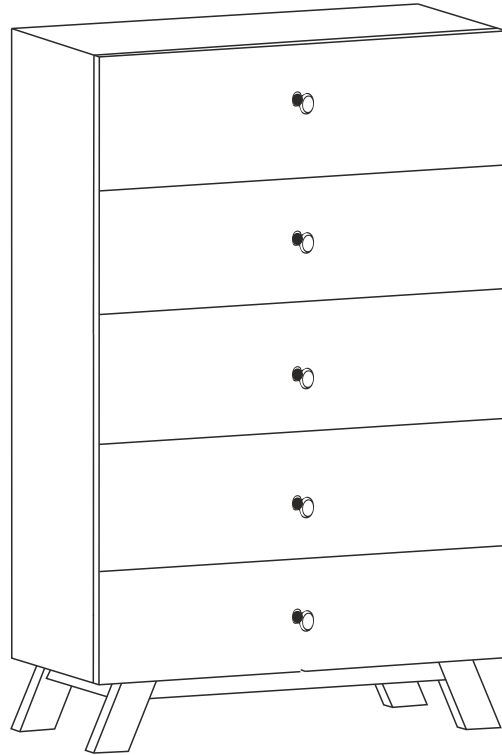
1. **NEVER** put a TV or other heavy objects on top of this product".
2. **Do not** stand on the product.

⚠ WARNING	
	<p>Children have died from furniture tipover. To reduce the risk of furniture tipover.</p> <ul style="list-style-type: none">• ALWAYS install tipover restraint provided.• NEVER put a TV on this product.• NEVER allow children to stand, climb or hang on drawers, doors, or shelves.• NEVER open more than one drawer at a time.• Place heaviest items on the lowest drawers.• Do not defeat or remove the drawer interlock system. <p><i>This is a permanent lable Do not remove!</i></p>
	

Assembly Instructions

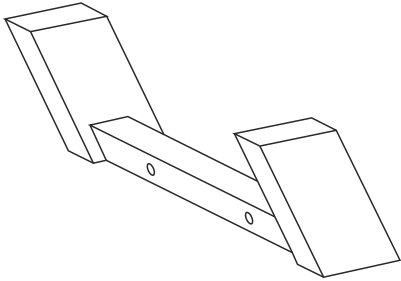
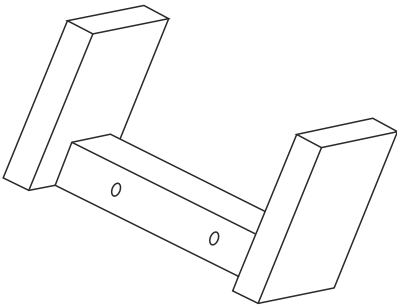
Caution : You must read this before you proceed

CABINET












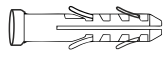
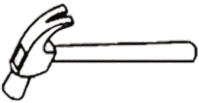
Part list

Label	Picture	Description	QTY
A		CABINET	1

Label	Picture	Description	QTY
B		RIGHT LEG	1
C		LEFT LEG	1

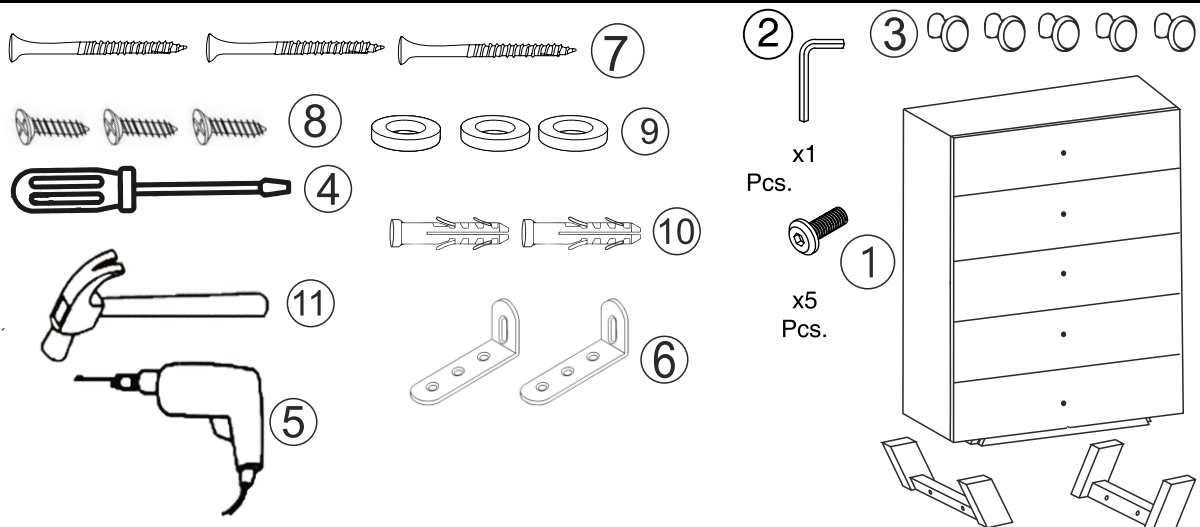
Hardware

Label	Picture	Description	QTY
①		Flat Head Allen Bolt (19mm)	5
②		Allen Wrench (5mm)	1
③		Knob	5

④		Screwdriver (not provided)	1
⑤		Power Drill (not provided)	1
⑥		Metal Bracket	2
⑦		Wall Plug Screw(M3 x 30mm)	3
⑧		Product Screw (M3 x 12mm)	3
⑨		Washer	3
⑩		Wall Plug(30mmx5mm)	2
⑪		Hammer(not provided)	1

Assembly Preparation

Before Beginning Assembly:




- Read instructions, cover to cover.



- Have 2 adults on hand for assembly.



- Do not assemble on flooring or carpet.



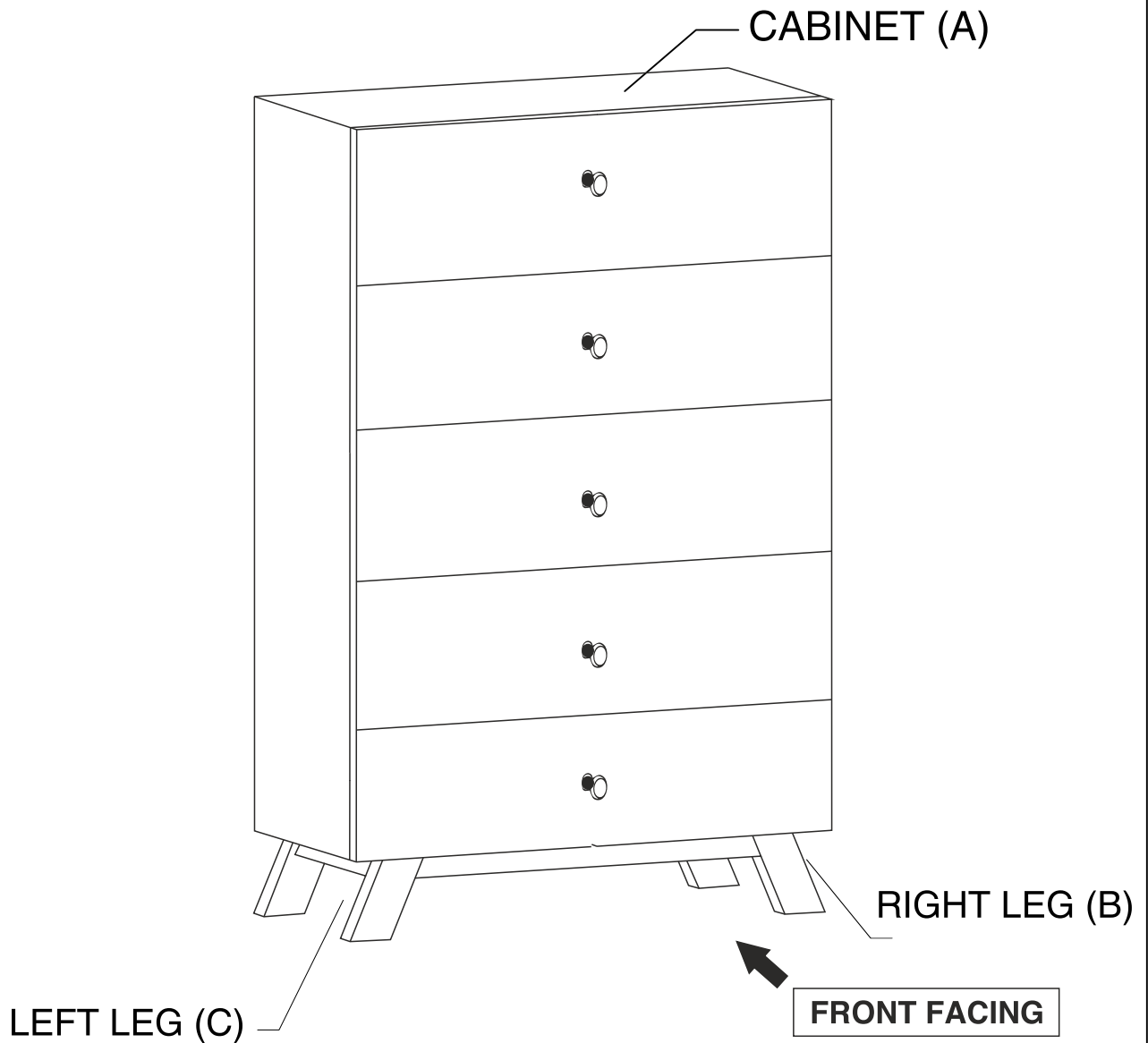
- Assemble on a clean non-marring surface (packing foam).



- Save all packaging until finished.

Assembly Steps

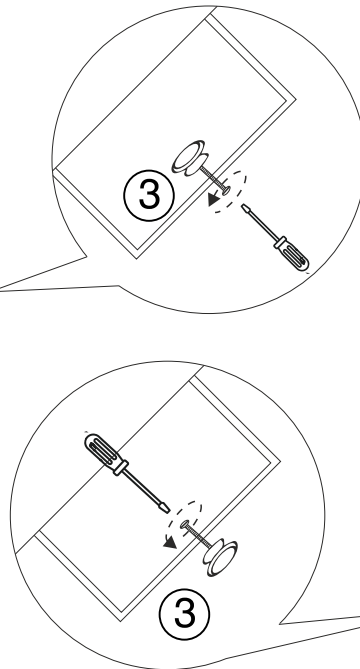
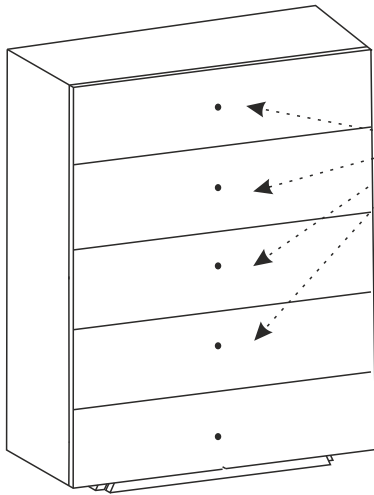
Overview



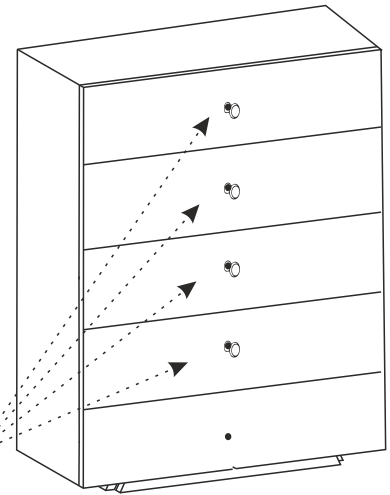
This Cabinet has multiple parts and may require up to some 30 minutes to assemble. To give you an overview of the Cabinet parts, the above picture is to help you put the various parts into perspective. Please read through the instructions below to familiarise yourself with the parts and steps before assembly.

Step 1

1.1



1.2



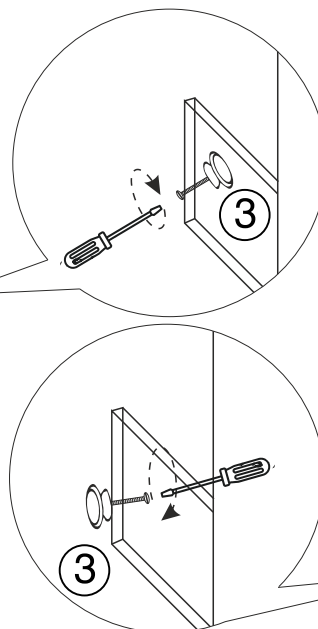
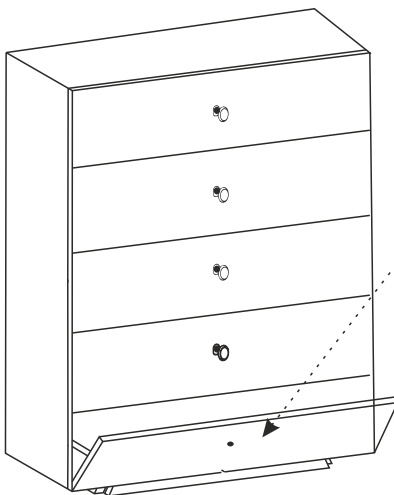
With help of your adult partner, carefully stand the Cabinet.

1.1 Open drawer and De-assemble the Knob (3) with the help of Screwdriver (4). Rotate counter clockwise.

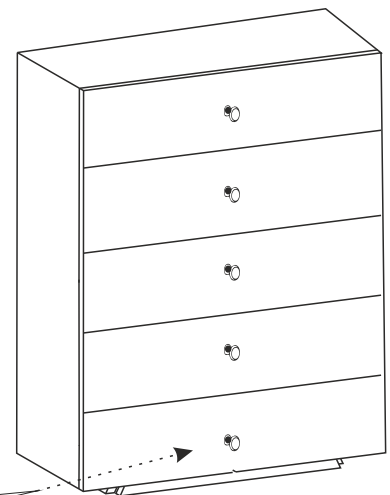
1.2 Install the Knob (3) on the drawer outside as shown in diagram using Screw driver (4). Rotate Counter Clockwise.

Step 2

2.1



2.2

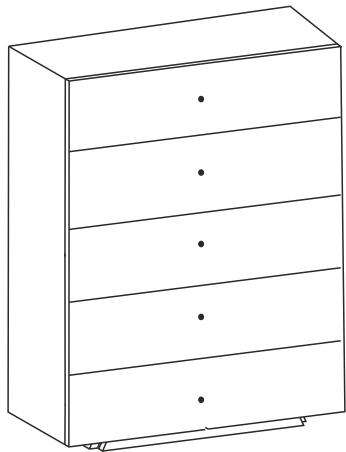


With help of your adult partner, carefully stand the Cabinet.

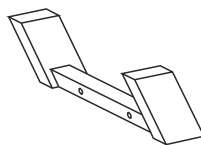
2.1 Open last compartment and De-assemble the Knob (3) with the help of Screwdriver (4). Rotate counter clockwise.

2.2 Install the Knob (3) on the outside as shown in diagram using Screw driver (4). Rotate Counter Clockwise.

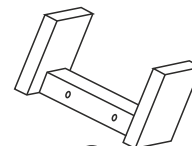
Step 3



A



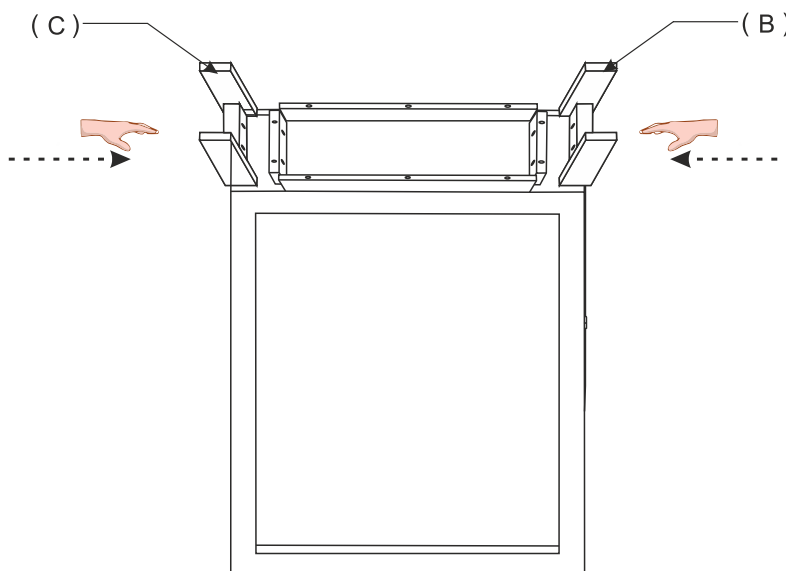
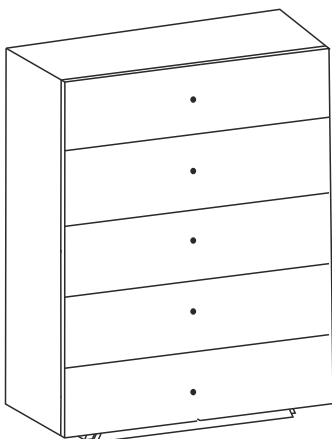
B



C

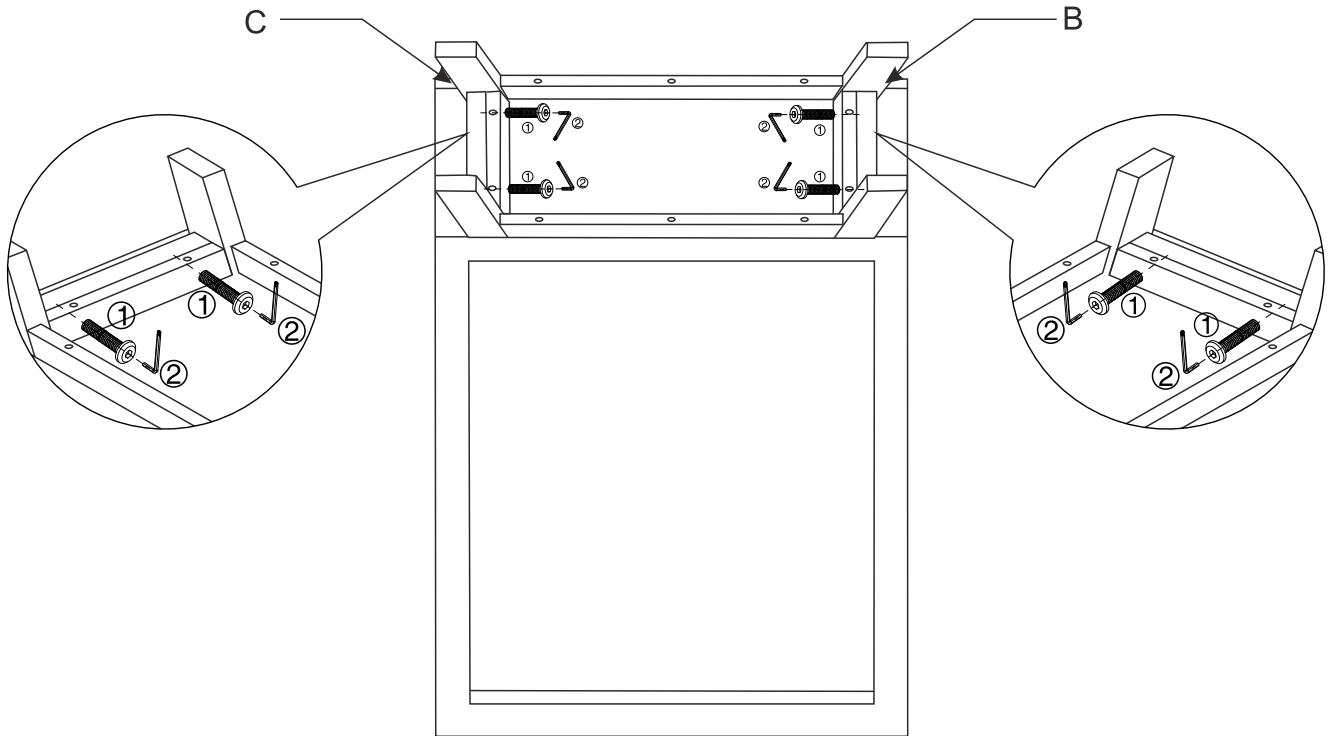
Unpack all parts and place them on a clean and non-marring floor to avoid scratches.

Step 4



Place the cabinet (A) upside down. Align the Right Leg (B) and Left Leg (C) as shown in the diagram.

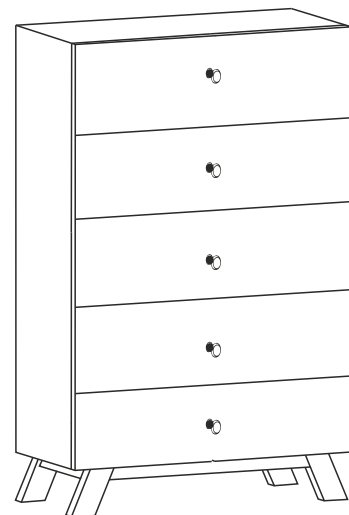
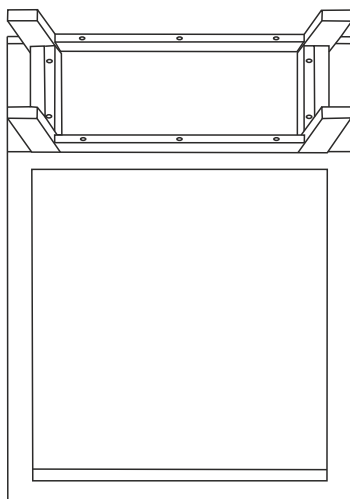
Step 5



Attach Left (C) and Right Leg (B) using the Bolt (①) and Allen Wrench (②).

Do not tighten the Bolt fully.

Step 6



Turn the Cabinet right side up.
Place the Cabinet on a **LEVEL SURFACE**.
Inspect it and make sure all parts are adequately connected.
This would help to align all the parts at all the joint areas.

In a sequential manner, proceed to tighten all Bolts.

To tighten the Bolts at the base of the Cabinet, do secure assistance from your adult partner(s).

You may be required to turn the Cabinet, to gain easy access to the secure points.

Turn the Cabinet in a synchronised manner.

CAUTION 1: When tightening these Bolts tighten sequentially

DO NOT tighten any Bolts fully and then towards the next one.

This would cause the frame to warp.

If there is still wobble, loosen the Bolts and execute this same process.

WARNING!! IF Cabinet IS NOT STABLE, IT COULD LEAD TO DAMAGING THE PRODUCT.

Ensure all Bolts are fully locked into position.

The Cabinet is ready to be used.

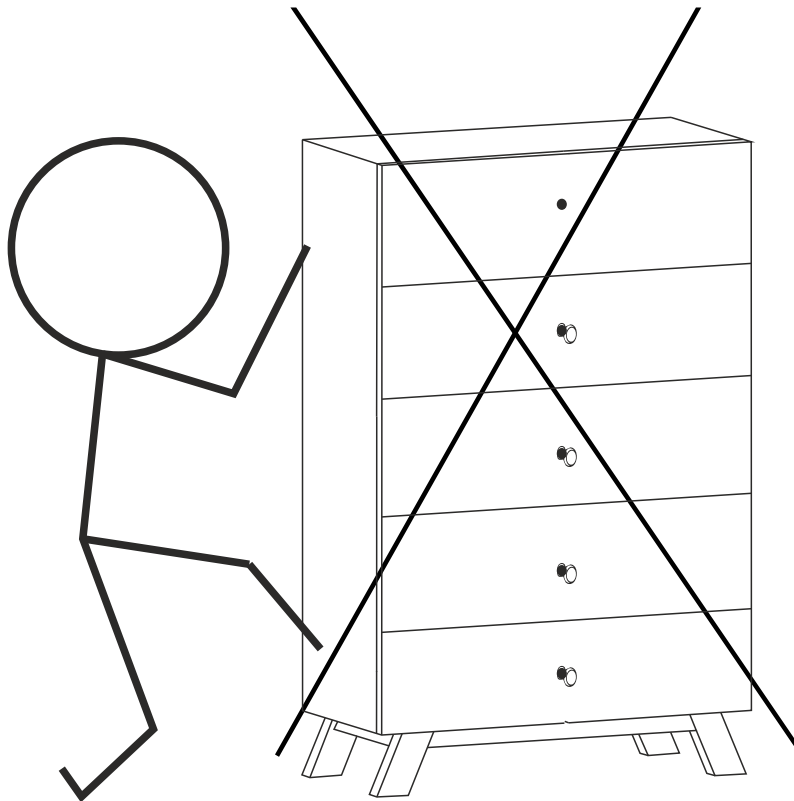
CAUTION 2: This Cabinet can only be used on a flat, level surface.

Tipover Restraint Device Installation Instructions



WARNING

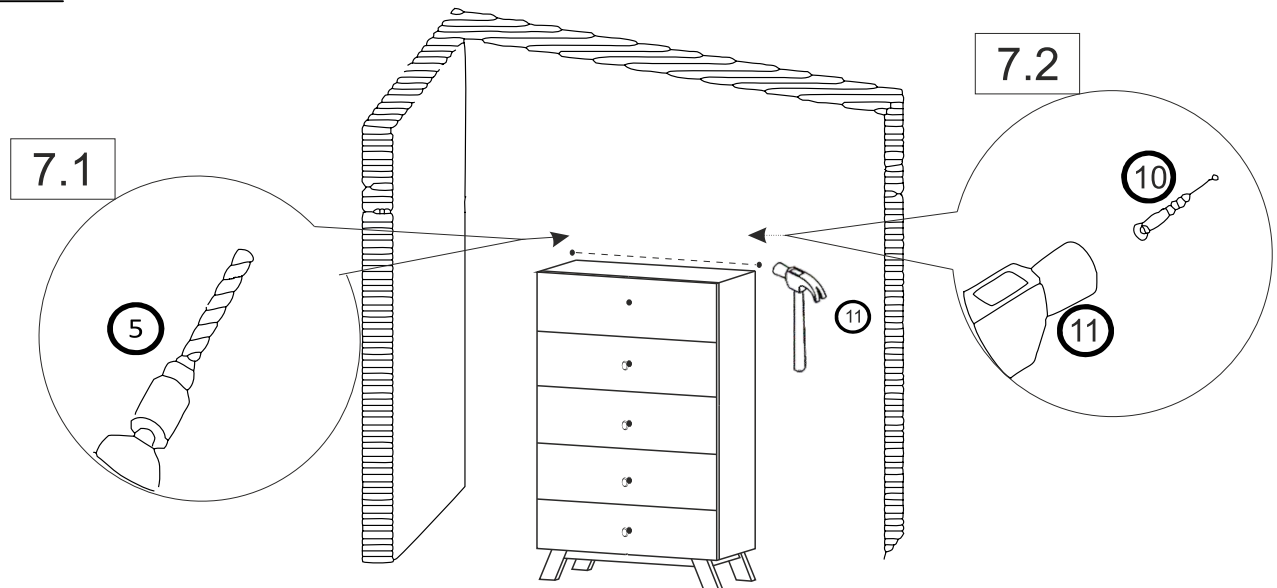
Serious or fatal crushing injuries can occur from tipping furniture. To help prevent tip-over: ALWAYS secure this furniture to the wall using Tipover Restraint Device. See product instructions for more ways to help prevent furniture tip-over.



Usage For Tipover Restraint Device:

To Secure Bedside against wall, attach two Metal Brackets (⑥) on wall

Step 7



1.1) Drill two holes on wall at 5 cm below from the height of bedside as Metal Brackets (⑥) on Bedside with Power Drill (⑤).

You can mark these points in two ways as below:

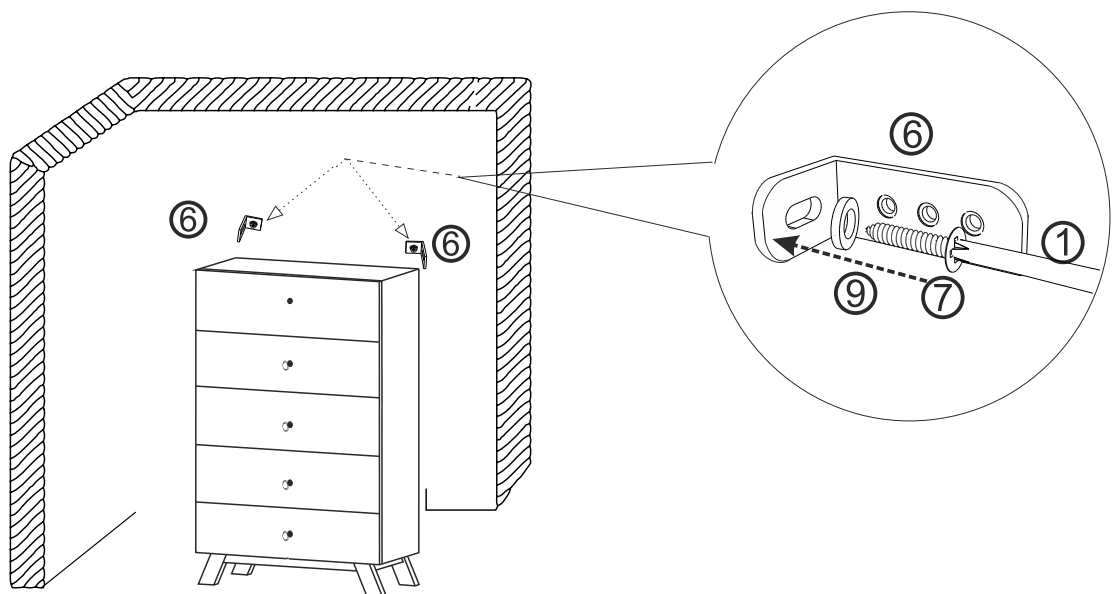
1) Move the Bedside back to the wall. Mark two points same width as bedside on the wall.

Note: The Brackets need to be secured to solid, load bearing surface. Please use a Stud Finder(not supplied) if needed to locate the Wall Frame.

2) Measure the height of the Brackets (⑥) with ruler/measuring tape and mark on wall to keep them accurate and same height and width of the bedside

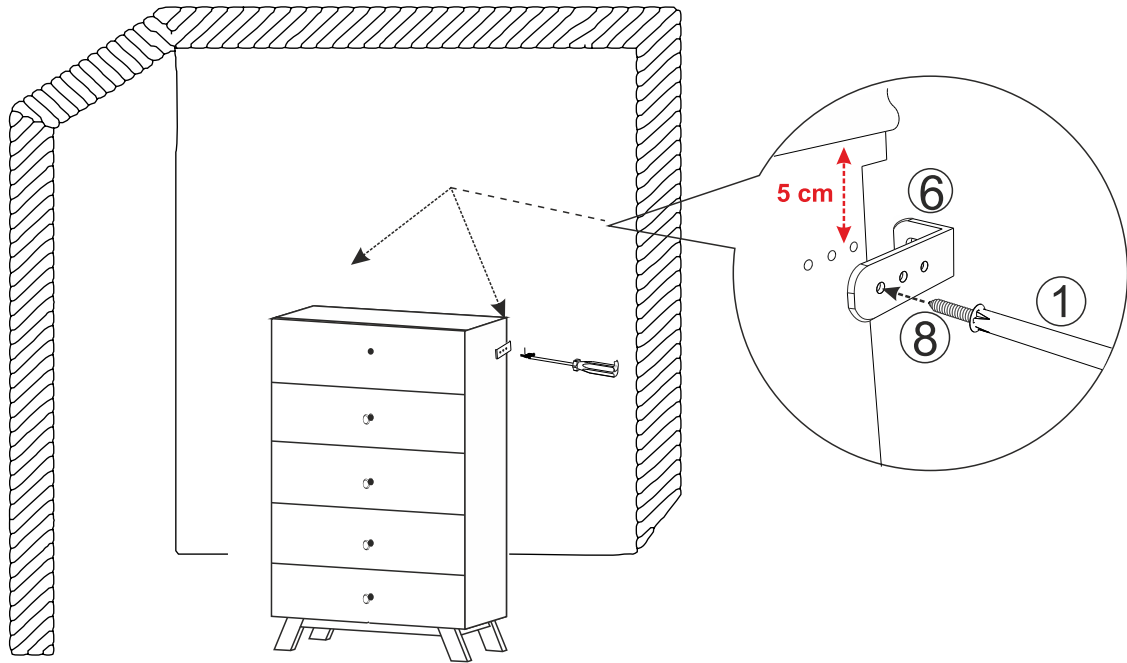
1.2) Insert Wall Plugs (⑩) into drilled holes on wall with Hammer (⑪).

Step 8



Attach Brackets (⑥) to Wall Plugs (⑩) using Wall Plug Screws (⑦) and washer (⑨) with Screwdriver (①).

Step 9














Move bedside to the wall, customer can choose one of 3 hole for assembly same as other side.

Connect the Metal Bracket (⑥) to bedside with help of Screw (⑧) and Screwdriver (①) same as other side.

This Bedside is now ready to use.

Care & Maintenance

- ✓  ● Furniture may scratch floors. We recommend using furniture pads to protect your floors.
- ⊘  ● Do not put hot items directly on furniture surface
- ⊘  ● Do not clean furniture with harsh cleansers or polish.
- ⊘  ● Do not place furniture under direct sunlight.
- ⊘  ● Do not place furniture near heating or cooling vents.
- ⊘  ● Do not write on furniture without a passed barner to protect the surface.
- ⊘  ● Do not place furniture outside. for indoor use only.
- ⊘  ● Not for commercial use. for residential use only.
- ⊘  ● Stains may be removed with mild soap solution and damp cloth.
- ⊘  ● Children should not climb or jump on the furniture.
- ✓  ● Dust and pick - up shills using a clean, non-colored, lint-free cloth.