

# WARNING!!

## Furniture Tipping Risk.

**Serious risk of severe or fatal crush injuries can occur from furniture tipping over if not secured.**

Children like to climb on furniture and Unsecured furniture can pose a serious danger.

Please follow all instructions and install the tip-over restraints provided.

In addition to installing the restraints, to help prevent tip-over:

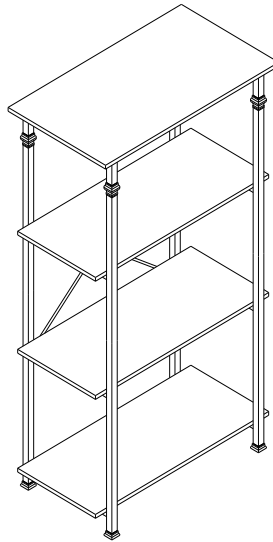
1. Place heaviest items on the lowest shelves,
2. Unless specifically designed to accommodate, do not set TV's or other heavy objects on top of this product,
3. Never allow children to climb or hang on shelves, and
4. Do not step on the base.

## Assembly Instructions

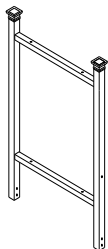
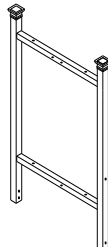
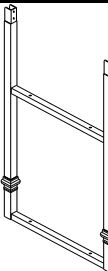
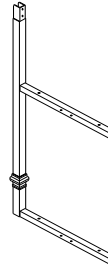
**Caution : You must read this before you proceed**

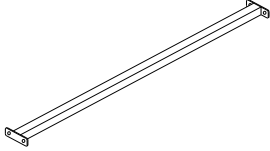
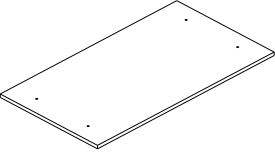
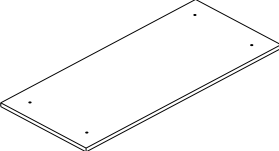
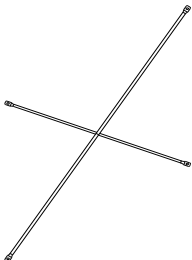
Please look on top of the product for hardware packs.

**SHELF**

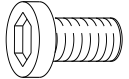
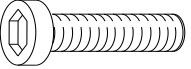






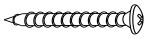

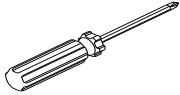
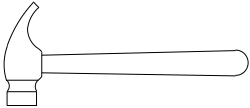

## Parts List

Label	Picture	Description	QTY
A		Right Side Frame	1
B		Left Side Frame	1
C		Right Upper Frame	1
D		Left Upper Frame	1

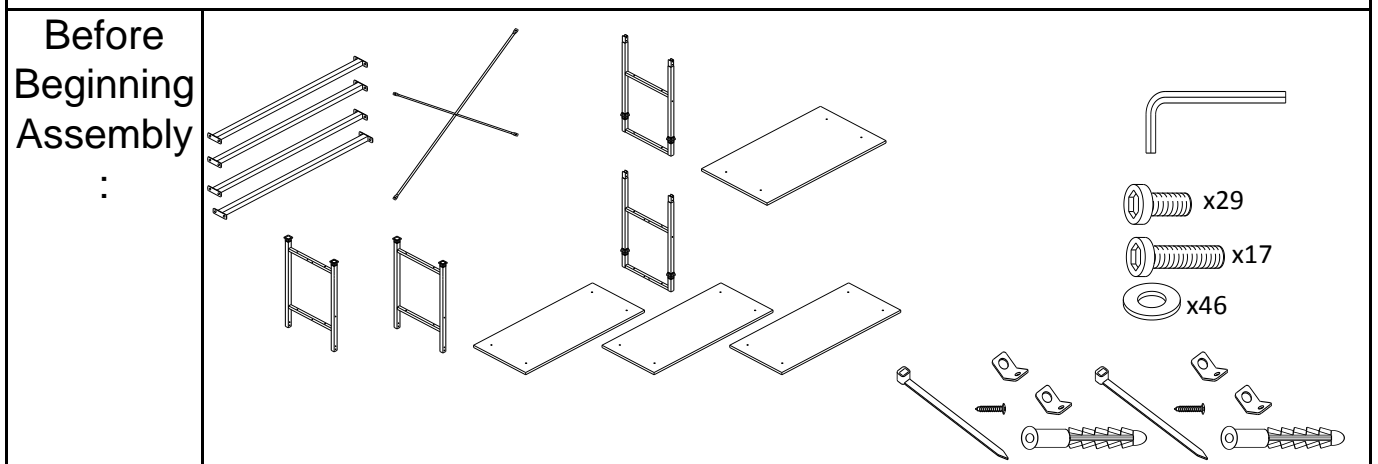
E		Connecting Rod	4
F		Top Panel	1
G		Shelf Panel	3
H		Support Bar	1

## Hardware

Label	Picture	Description	QTY
①		Bolt M6x12mm	29
②		Bolt M6x30mm	17
③		Flat Washer Rings $\Phi$ 13	46

④		Allen Key	1
⑤		Tipover Restraint Device	2
⑥		Metal Bracket	2
⑦		Screw M4x38mm	2
⑧		Wall Plugs	2
⑨		Screwdriver (Not Provided)	1
⑩		Hammer (Not Provided)	1
⑪		Power drill (Not Provided)	1

## Assembly Preparation





- Read instructions, cover to cover-



- Have 2 adults on hand for assembly-



- Do not assemble on flooring or carpet-



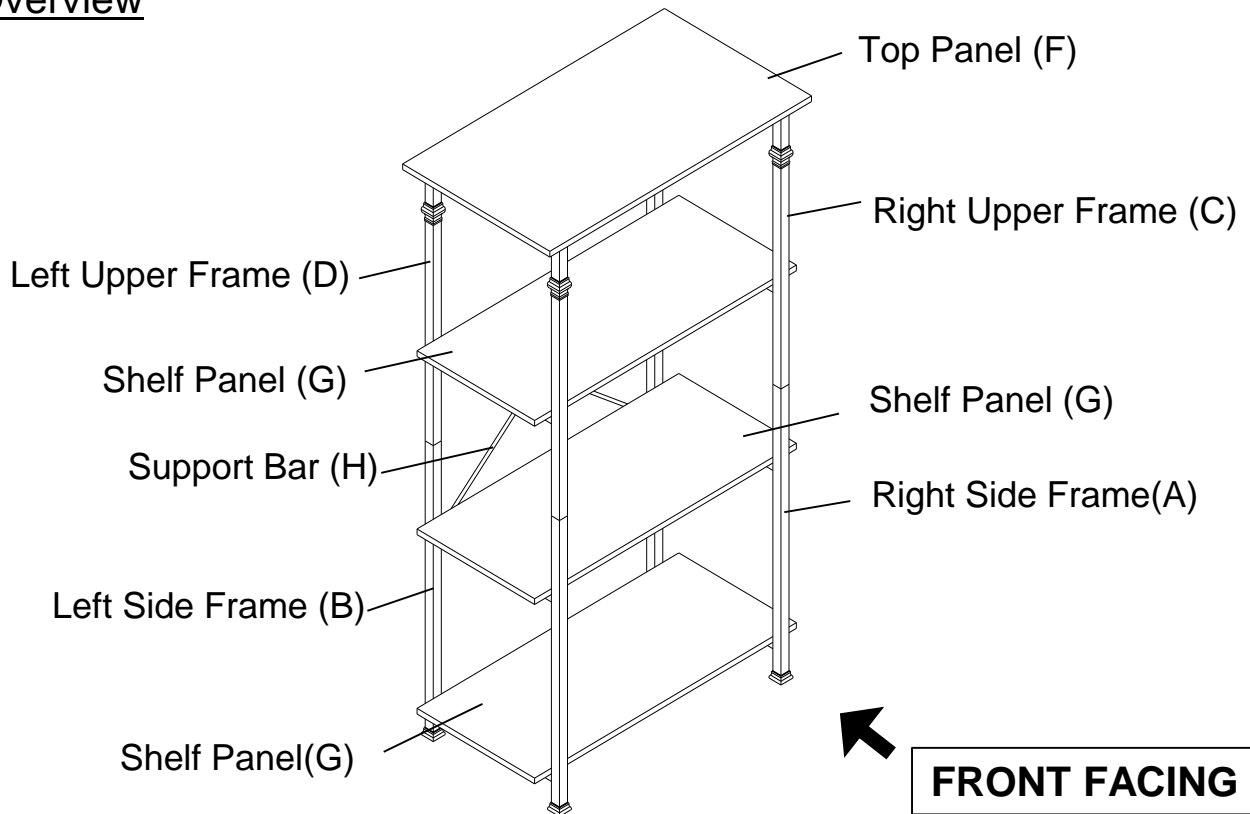
- Assemble on a clean non-marring surface (packing foam)-



- Save all packaging until finished-

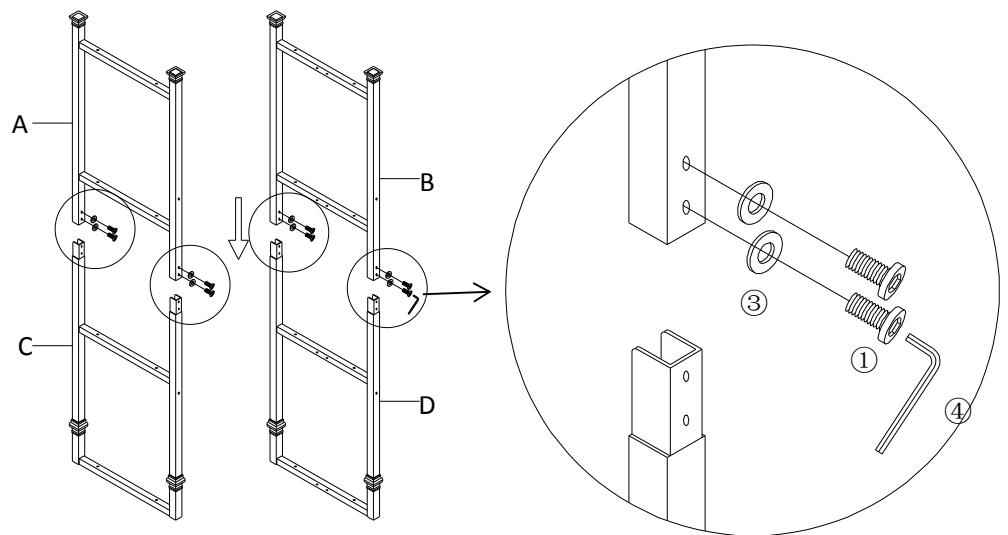
## Assembly Steps

### Overview



This SHELF has multiple parts and may require up to some 30 minutes to assemble. To give you an overview of the SHELF parts, the above picture is to help you put the various parts into perspective. Please read through the instructions below to familiarise yourself with the parts and steps before assembly.

## Step 1

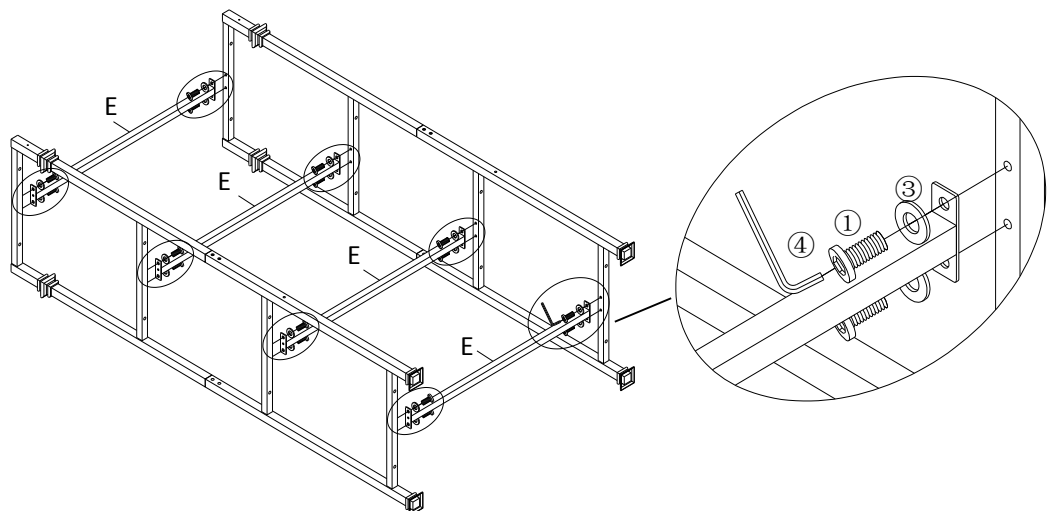


Take out the Right Side frame(A), the Left Side frame (B), the Right upper frame (C) and the Left upper frame (D) and place them on a flat surface. Connect the Right Side Frame(A) to the Right Upper Frame (C) using Bolts (①), Flat Washer Rings(③) and the Allen Key(④).

Repeat the assembly steps as above to assemble the Left Side frame(B) & the Left upper frame(D) .

**DO NOT FULLY TIGHTEN BOLTS**

## Step 2

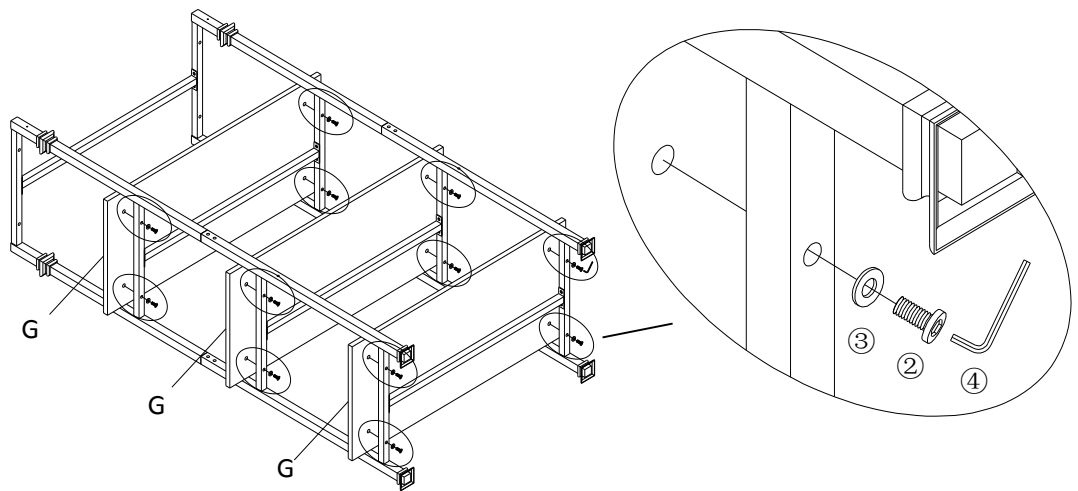


Take out the Connecting Rods(E) to connect the Right Side Frame (A) & the Left Side Frame(B) together, using Bolts (①) ,Flat Washer Rings (③), and the Allen Key(④).

Repeat the same assembly steps as above to assemble the Right Upper Frame (C)& the Left Upper Frame (D).

**DO NOT FULLY TIGHTEN THE BOLTS**

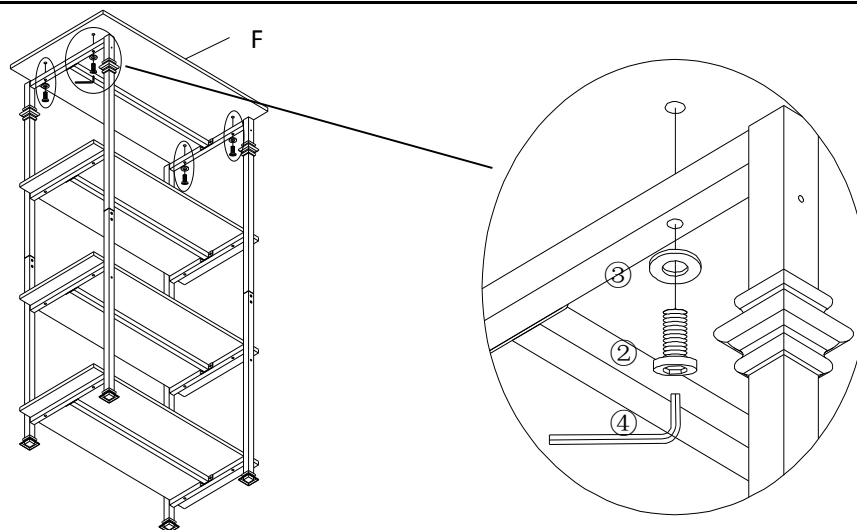
### Step 3



Take out the Shelf Panels (G), Then lay the shelf down on its back, assuring it is on a flat surface.

Once the Shelf Panels (G) are ready, Affix the Shelf Panels (G) to the Shelf Frame using Bolts(②), Flat Washer Rings(③) and the Allen Key(④).  
**DO NOT FULLY TIGHTEN BOLTS**

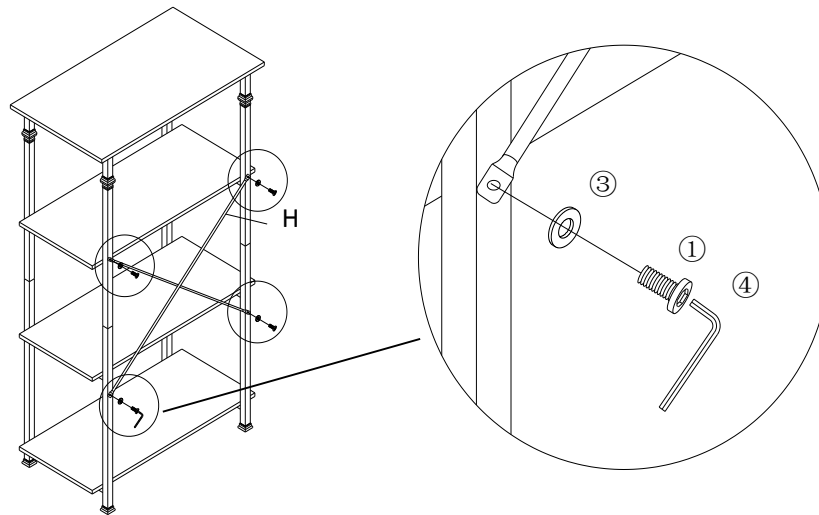
### Step 4



Take out the Top Panel(F), then stand the shelf up, again ensuring it is on a flat surface.

Place the Top Panel (F) on top of the shelf frame, and affix it using Bolts(②), Flat Washer Rings(③), and the Allen Key(④).  
**DO NOT FULLY TIGHTEN BOLTS**

## Step 5



Turn the shelf around, with its back facing you. Take out the Support Bar (H) and affix it at the hole positions specified on the back of the shelf, using Bolts(①), Flat Washer Rings(③), and the Allen Key(④), as shown above.

Assure the shelf is placed on a LEVEL SURFACE.

Inspect it and make sure all parts are adequately connected, then proceed to tighten all the bolts.

Caution 1: When tightening these Bolts, tighten sequentially.

DO NOT tighten any Bolt fully and then move towards the next one.

If there is any wobbles after tightening, loosen the bolts and execute this same process.

**WARNING!! IF THE SHELF IS NOT STABLE , IT COULD LEAD TO DAMAGE OF THE PRODUCT.**

Ensure all Bolts are fully locked into position.

## Tipover Restraint Device Installation Instructions

### **WARNING**

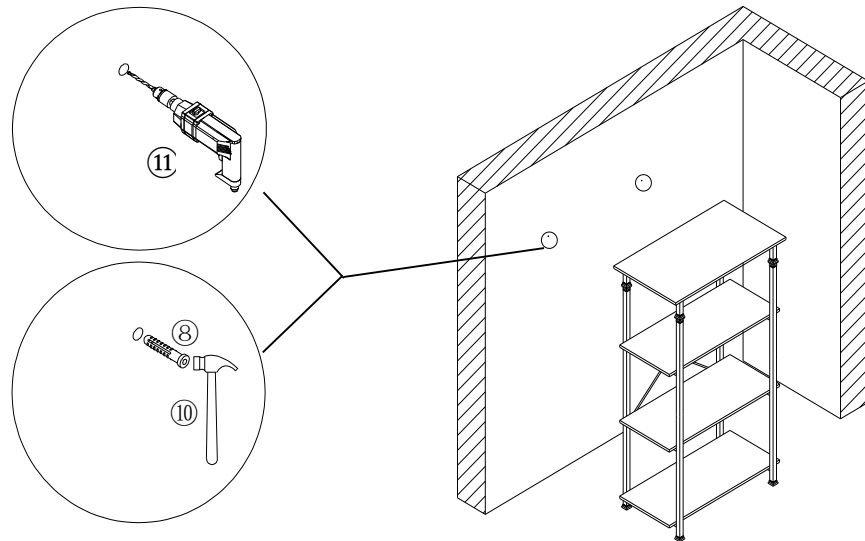
Serious or fatal crushing injuries can occur from tipping furniture.

To help prevent tip-overs: ALWAYS secure this furniture to the wall using the Tip over Restraint Device.

See product instructions for more ways to help prevent furniture tip-overs.



## Step 6

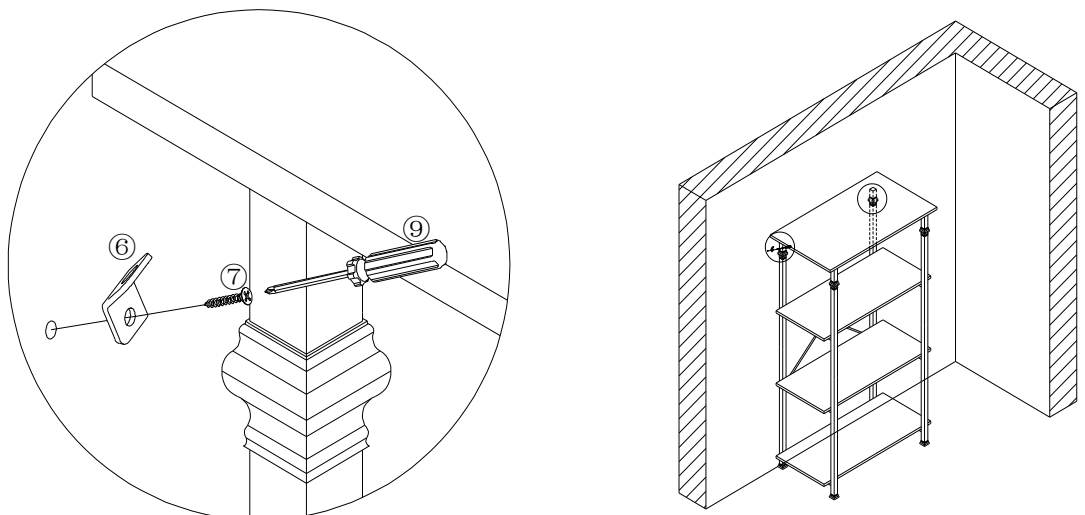


Move the shelf back against the wall.

Note: The Metal Brackets ((6)) need to be secured to a solid, load bearing surface. Please use a Stud Finder (not supplied) if needed to locate the Wall Frame.

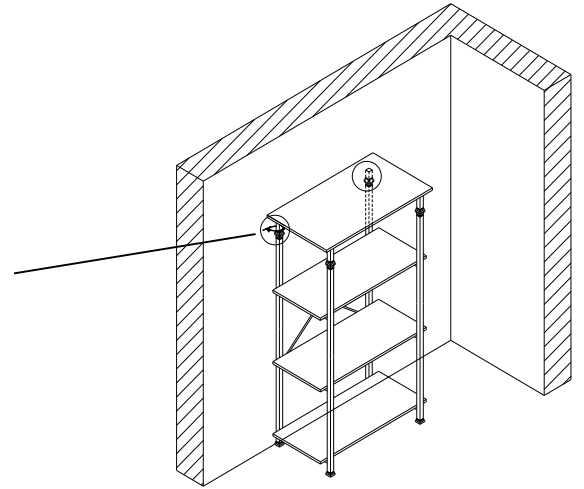
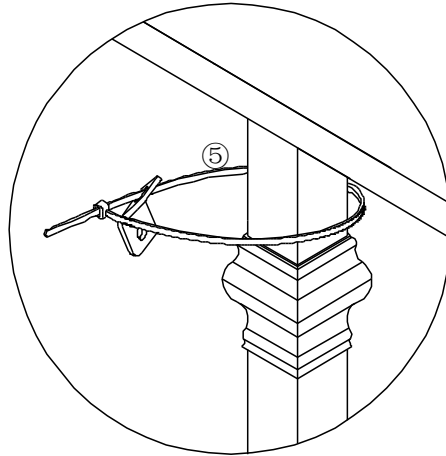
- 1) Measure the height for the Brackets ((6)) using a ruler/measuring tape and mark on the wall to keep them accurate and at the same height.
- 2) Drill two holes on the wall where you marked the points, using a Power Drill ((11)).
- 3) Insert Wall Plugs ((8)) into the drilled holes on the wall with a Hammer ((10)).

## Step 7



Attach the Brackets ( ⑥ ) to the Wall Plugs ( ⑧ ) using Screws ( ⑦ ) and a Screwdriver ( ⑨ ).

**Step 8**














Move the shelf to the wall.

Pull the Tipover Restraint Strap ( ⑤ ) through the Brackets ( ⑥ ) on the wall and Bookshelf one by one, and pull the Tipover Restraint Straps ( ⑤ ) tight.

This Bookshelf is now ready to use.

Caution: This Bookshelf can only be used on flat, level surface.

### Care & Maintenance

-  Furniture may scratch floors. We recommend using furniture pads to protect your floors.
-  Do not put hot items directly on furniture surface.
-  Do not clean furniture with harsh cleansers or polish.
-  Do not place furniture under direct sunlight.
-  Do not place furniture near heating or cooling vents.
-  Do not write on furniture without a padded barrier to protect the surface.
-  Do not place furniture outside . For indoor use only.
-  Not for commercial use. For residential use only.
-  Stains may be removed with mild soap solution and damp cloth.
-  Children should not climb or jump on the furniture.
-  Dust and pick-up spills using a clean, non-colored, lint-free cloth.

### Questions & Answers about Proposition 65

#### • What is Proposition 65?

Proposition 65 requires businesses to provide warnings to Californians about significant exposures to chemicals that cause cancer, birth defects or other reproductive harm. These chemicals can be in the products that Californians purchase, in their homes or workplaces, or that are released into the environment. By requiring that this information be provided, Proposition 65 enables Californians to make informed decisions about their exposures to these chemicals.

Proposition 65 also prohibits California businesses from knowingly discharging significant amounts of listed chemicals into sources of drinking water.

Proposition 65 requires California to publish a list of chemicals known to cause cancer, birth defects or other reproductive harm. This list, which must be updated at least once a year, has grown to include approximately 900 chemicals since it was first published in 1987.

#### • What types of chemicals are on the Proposition 65 list?

The list contains a wide range of naturally occurring and synthetic chemicals that include additives or ingredients in pesticides, common household products, food, drugs, dyes, or solvents. Listed chemicals may also be used in manufacturing and construction, or they may be byproducts of chemical processes, such as motor vehicle exhaust.

#### • What does a warning mean?

If a warning is placed on a product label or posted or distributed at a workplace, a business, or in rental housing, the business issuing the warning is aware or believes that it is exposing individuals to one or more listed chemicals.

By law, a warning must be given for listed chemicals unless the exposure is low enough to pose no significant risk of cancer or is significantly below levels observed to cause birth defects or other reproductive harm.

#### • Where can I get more information on Proposition 65?

If you have specific questions on the administration or implementation of Proposition 65, you can contact OEHHA's Proposition 65 program at [P65.Questions@oehha.ca.gov](mailto:P65.Questions@oehha.ca.gov), or by phone at (916) 445-6900.