

# WARNING!!

**Children have died from furniture tipping over. Tip restraints have been included with this product; you must install the tip restraints according to these instructions in order to minimize the risk of furniture tipping. If you have any questions about this product or the tip restraint, please send us an email at [tip\\_restraint\\_help@Noblehousefurniture.com](mailto:tip_restraint_help@Noblehousefurniture.com)**

**NEVER allow children to climb or hang on furniture, including drawers or cabinet doors.**

**In addition to installing the restraints, to help prevent tip-overs:**

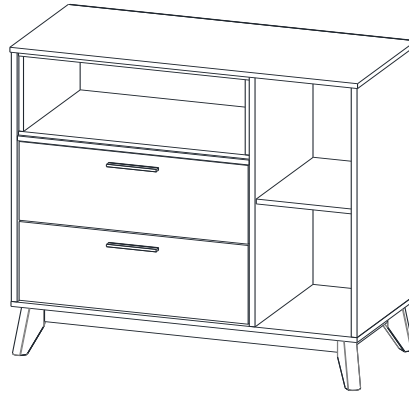
- 1. NEVER put a TV or other heavy objects on top of this product.**
- 2. Do not stand on the product**

<b>⚠ WARNING</b>	
	<p><b>Children have died from furniture tipover. To reduce the risk of furniture tipover:</b></p> <ul style="list-style-type: none"><li>• ALWAYS install tipover restraint provided.</li><li>• NEVER put a TV on this product.</li><li>• NEVER allow children to stand, climb or hang on drawers, doors, or shelves.</li><li>• NEVER open more than one drawer at a time.</li><li>• Place heaviest items in the lowest drawers.</li><li>• Do not defeat or remove the drawer interlock system.</li></ul>
	<p><i>This is a permanent label. Do not remove!</i></p>





# Assembly Instructions

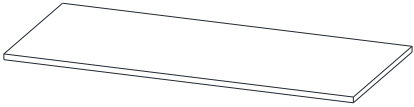



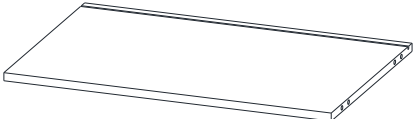
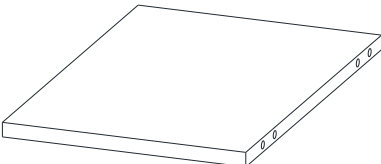
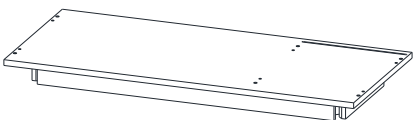
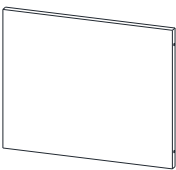
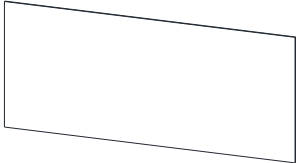

**Caution : You must read this before you proceed**

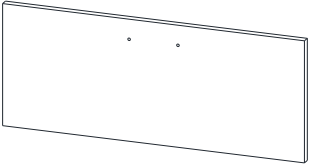
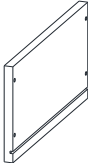
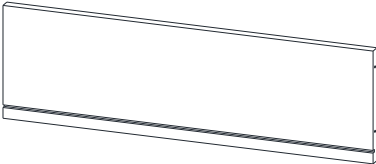



## MULTI-FUNCTIONAL CABINET



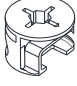










### Parts List










Label	Picture	Description	QTY
AL		Drawer Left Side Rail	2
AR		Drawer Right Side Rail	2
BL		Drawer Left Bottom Rail	2
BR		Drawer Right Bottom Rail	2

C		Top Panel	1
D		Left Side Panel	1
E		Right Side Panel	1
F		Center Panel	1
G		Left Middle Panel	1
H		Right Middle Panel	1
I		Bottom Panel	1
J		Back Support	1
K		Left Back Panel	1
L		Right Back Panel	1

M		Drawer Front Panel	2
N		Drawer Side Panel	4
O		Drawer Back Panel	2
P		Drawer Bottom Panel	2
Q		Handle	2
R		Leg	4

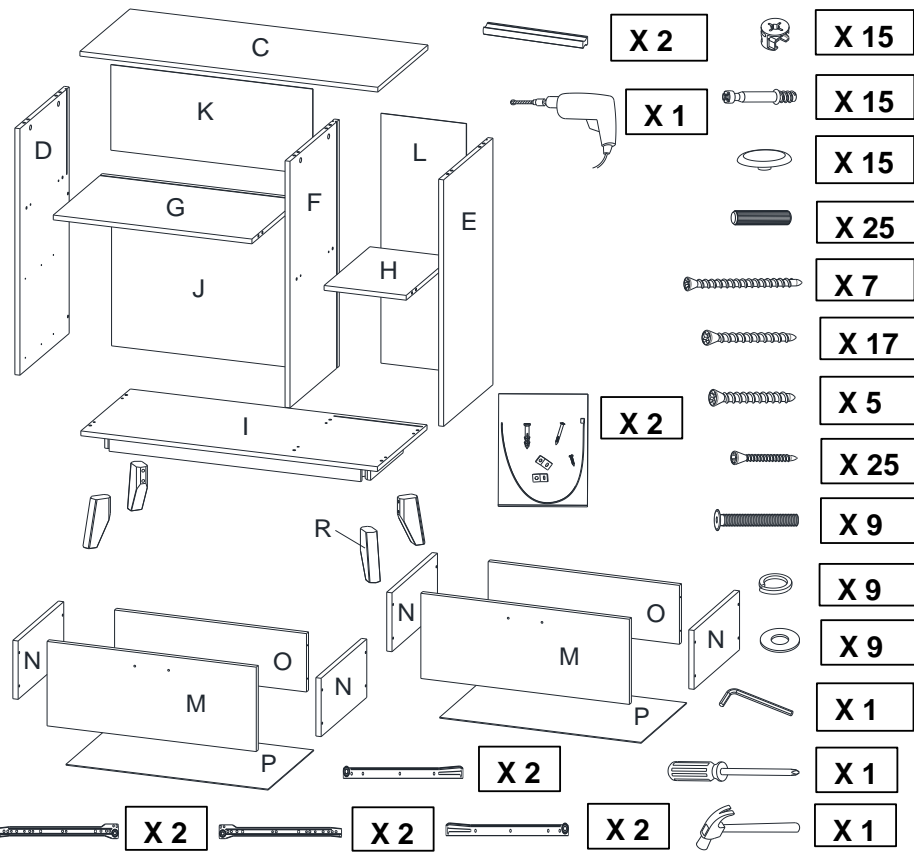
# Hardware

Label	Picture	Description	QTY
①		Cam Lock	15
②		Cam Bolt	15
③		Cam Cap	15
④		Positioning Dowel (Ø8*30mm)	25
⑤		Cap Wood Screw (M6*50mm)	7
⑥		Screw (M4*38mm)	17
⑦		Screw (M4*25mm)	5
⑧		Screw (M3.5*16mm)	25
⑨		Bolt (M6*70mm)	9
⑩		Spring Washer	9
⑪		Washer	9

⑫		Allen Key	1
⑬		Screwdriver (not provided)	1
⑭		Hammer (not provided)	1
⑮		Power Drill (not provided)	1
<b>Cabinet Restraint Device Hardware</b>			
⑯		Metal Bracket	4
⑰		Wall Plug	2
⑱		Wall Plug Screw	2
⑲		Pan Head Screw	2
⑳		Cabinet Restraint Strap	2

# Assembly Preparation

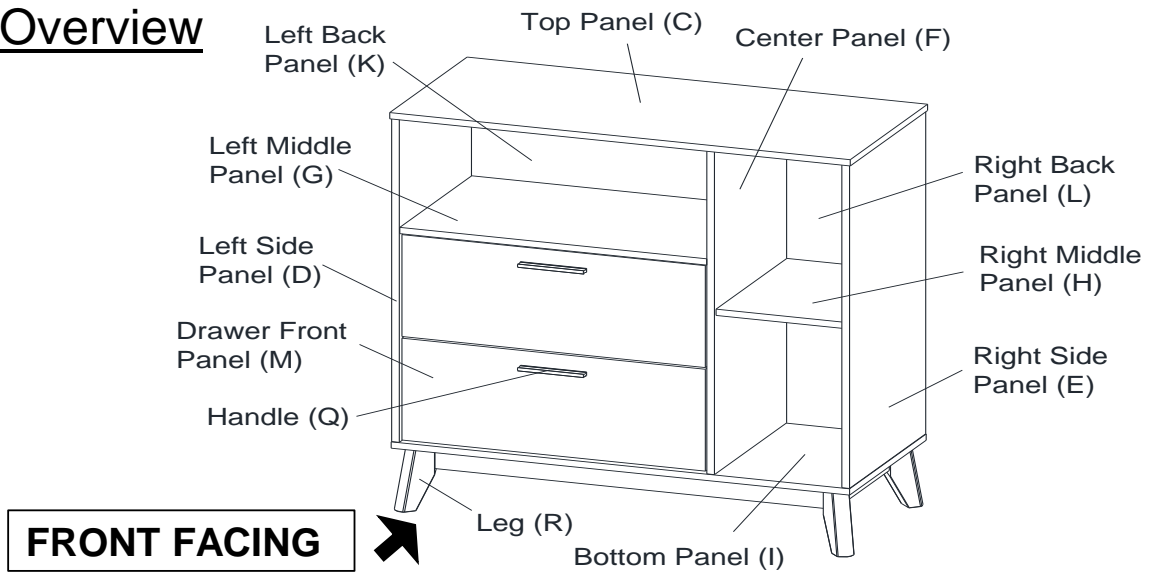
Before Beginning Assembly:



- Read instructions, cover to cover-
- Have 2 adults on hand for assembly-
- Do not assemble on flooring or carpet-
- Assemble on a clean non-marring surface (packing foam)-
- Save all packaging until finished-

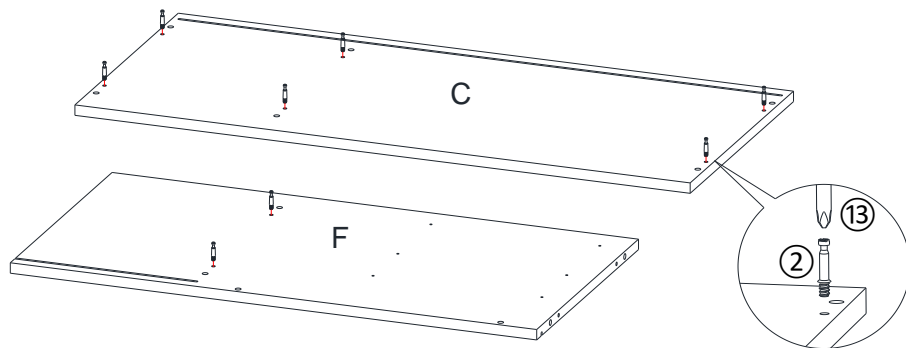
# Assembly Steps

## Overview



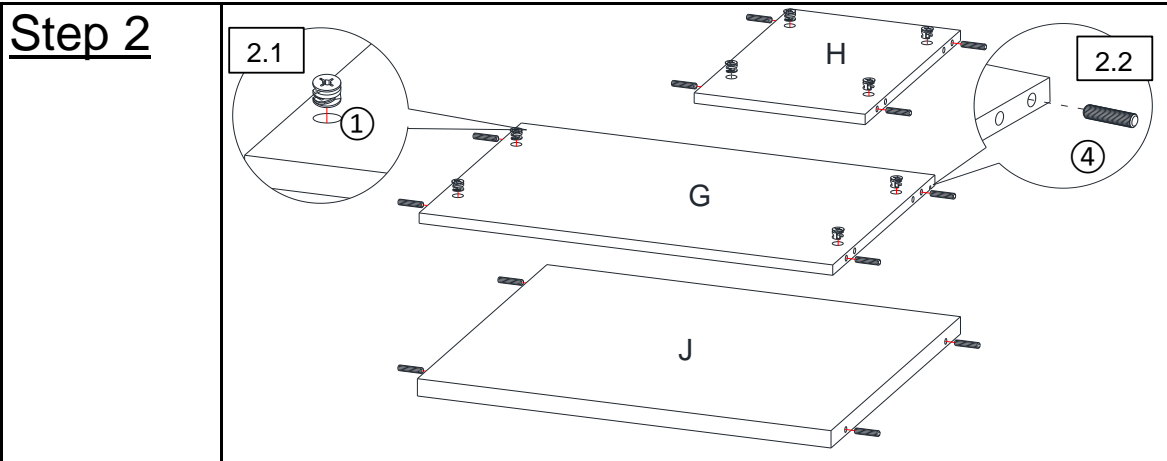
This Multi-Functional Cabinet has multiple parts and may require up to 60 minutes to assemble. To give you an overview of the Multi-Functional Cabinet parts, the above picture is to help you put the various parts into perspective. Please read through the instructions below to familiarise yourself with the parts and steps before assembly.

## Step 1



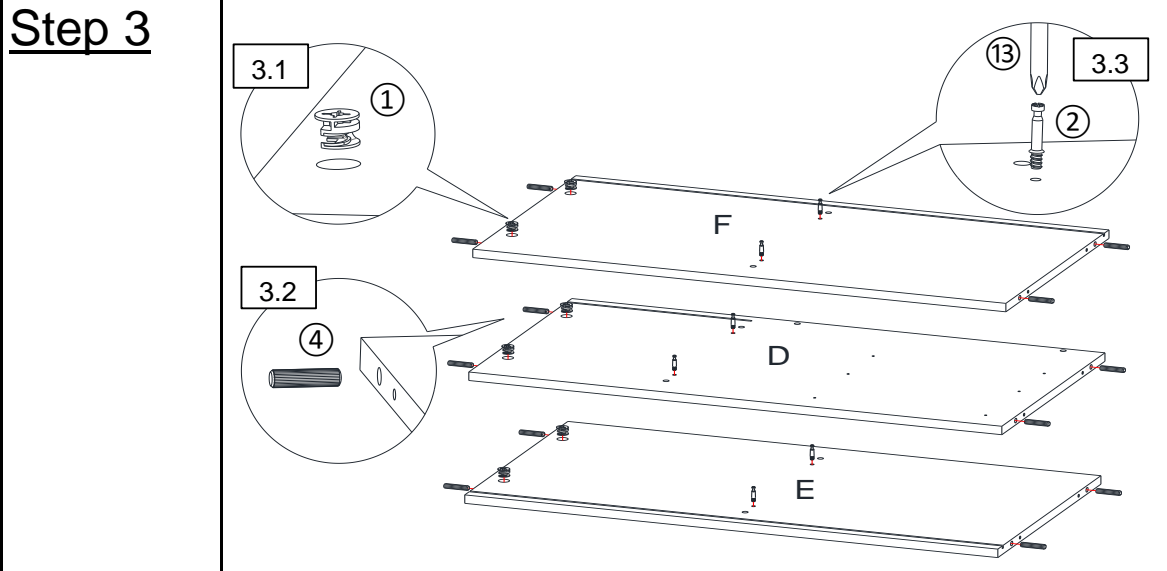
Unpack and place all parts on a clean, non-marring surface. Attach Cam Bolts(②) into the mounting positions on the Top Panel (C) and the Center Panel (F) using a Screwdriver(⑬).





**2.1)** Insert Cam Locks(①) by hand into the mounting positions on the Left Middle Panel (G) and the Right Middle Panel (H).

**2.2)** Insert Positioning Dowels(④) by hand into the mounting positions on the Left Middle Panel (G), the Right Middle Panel (H) and the Back Support (J).



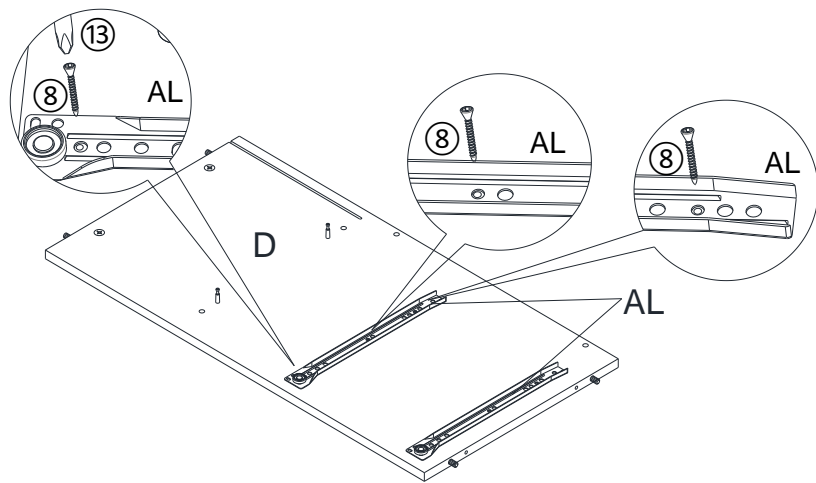
**3.1)** Insert Cam Locks(①) into the mounting positions on the Left Side Panel (D) by hand.

**3.2)** Insert Positioning Dowels(④) into the mounting positions on the Left Side Panel (D) using your hand.

**3.3)** Attach Cam Bolts(②) to the mounting positions on the Left Side Panel (D) using the Screwdriver(⑬).

**3.4)** Repeat the same process on the Right Side Panel (E) and the Center Panel (F).

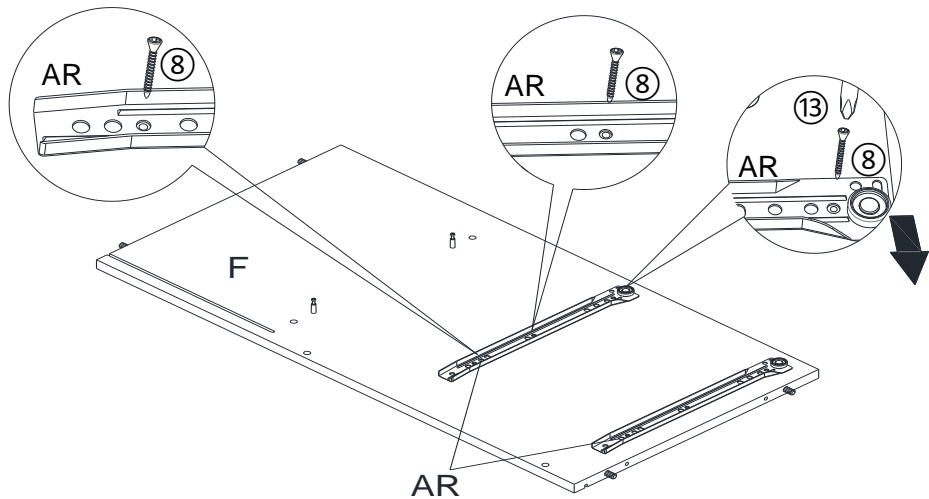
## Step 4



Attach the Drawer Left Side Rail (AL) to the Left Side Panel (D) using Screws(⑧) and the Screwdriver(⑬) where indicated.

**Note: There are pre-existing mounting positions on the Left Side Panel (D) to attach the Drawer Left Side Rail (AL).  
Tighten the Screws fully in a sequential manner.**

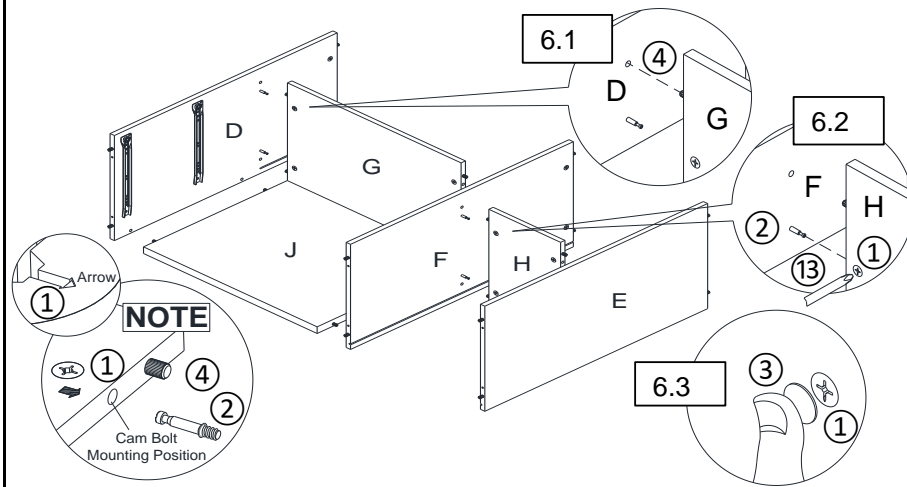
## Step 5



Attach the Drawer Right Side Rail (AR) to the Center Panel (F) using Screws(⑧) and the Screwdriver(⑬) where indicated.

**Note: There are pre-existing mounting positions on the Center Panel (F) to attach the Drawer Right Side Rail (AR).  
Tighten the Screws fully in a sequential manner.**

## Step 6



**6.1)** Insert Dowels(④) into the Left Middle Panel (G), the Back Support (J), the Right Middle Panel (H), into the mounting positions on the Left Side Panel (D), the Right Side Panel (E) and the Center Panel (F).

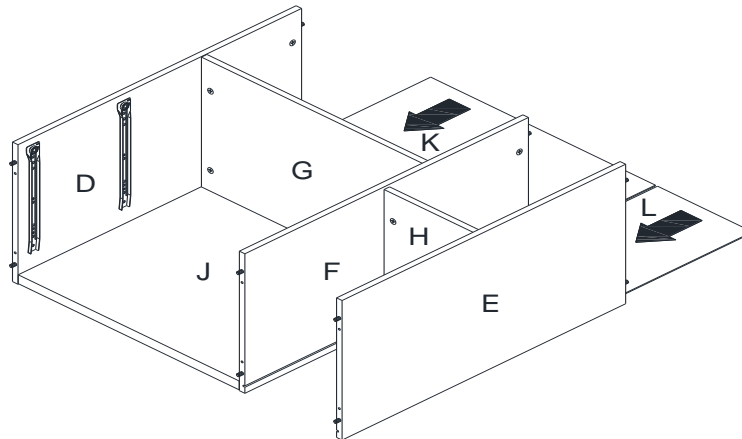
**Note: Ensure the arrow on the Cam Lock heads point towards the Cam Bolt mounting position.**

**6.2)** Insert the Cam Bolts(②) on the Left Side Panel (D) or the Right Side Panel (E) and the Center Panel (F) into the mounting positions on the Left Middle Panel (G) and the Right Middle Panel (H).

Turn the Cam Locks(①) clockwise with the Screwdriver(⑬) until it locks into place.

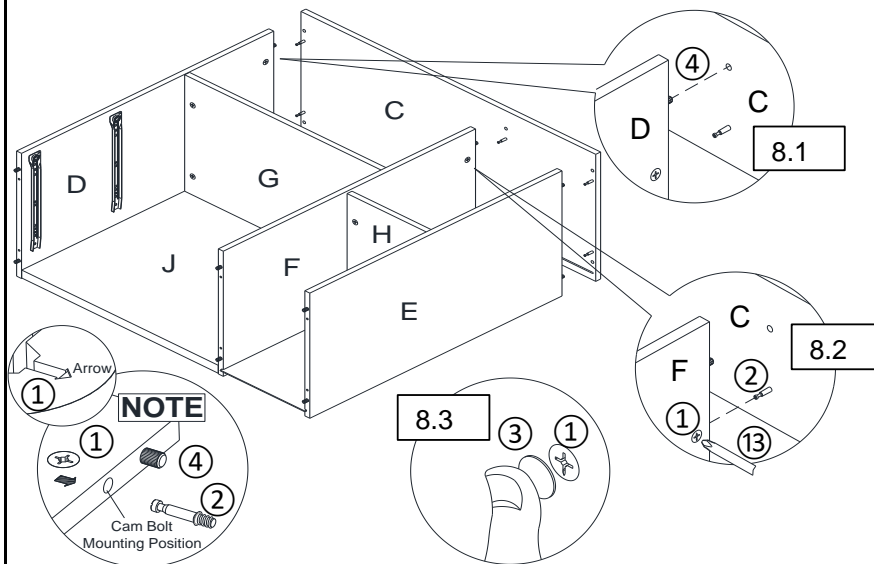
**6.3)** Insert Cam Caps(③) to cover the Cam Locks(①).

## Step 7



Insert the Left Back Panel(K) and the Right Back Panel (L) along the slot on the Left Side Panel (D), the Right Side Panel (E) and the Center Panel (F).

## Step 8



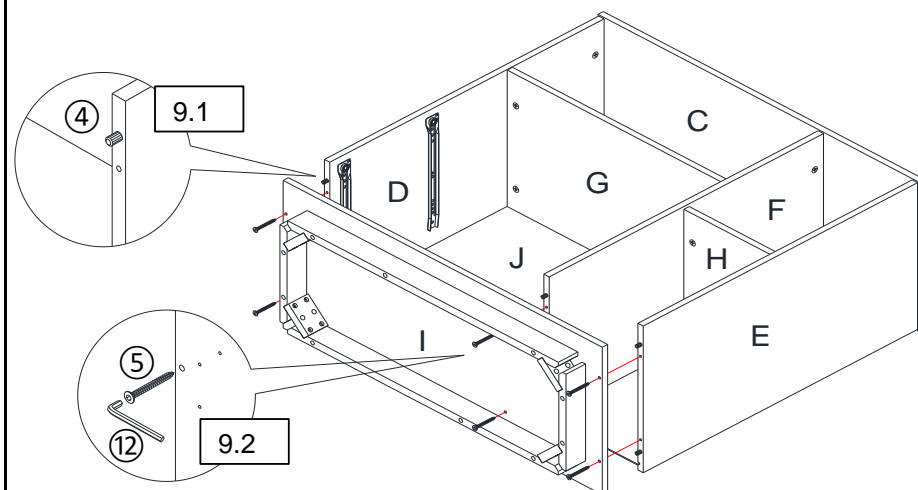
**8.1)** Insert Positioning Dowels(④) on the Left Side Panel (D), the Right Side Panel(E) and the Center Panel (F) into the mounting positions on the Top Panel (C).

**Note:** Ensure the arrows on the Cam Lock heads points towards the Cam Bolt mounting positions.

**8.2)** Insert the Cam Bolts(②) on the Top Panel (C) into the mounting positions on the Left Side Panel (D), the Right Side Panel (E) and the Center Panel (F).

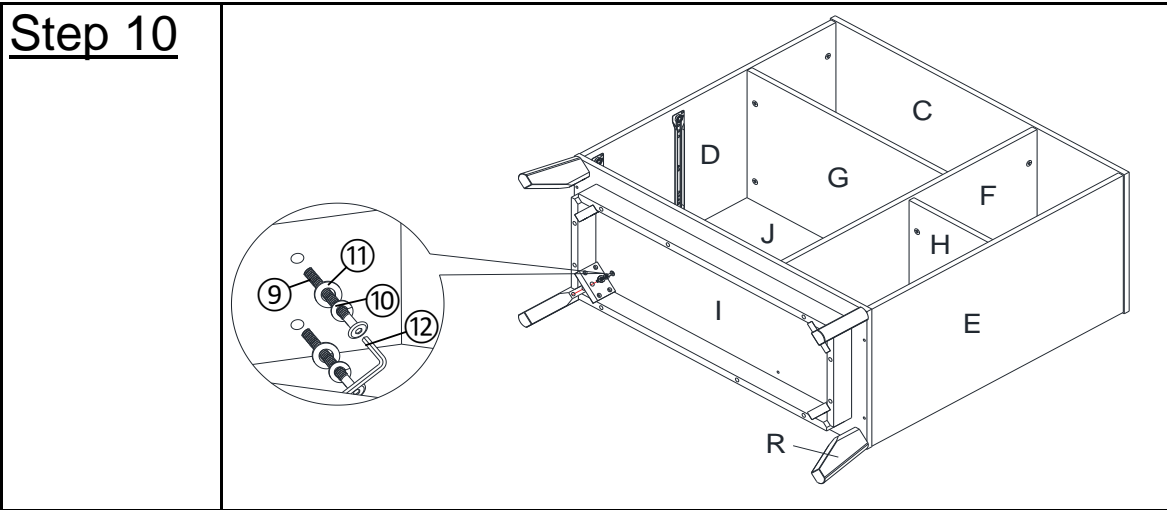
Turn the Cam Locks(①) with the Screwdriver(⑬) until they all lock into place.

## Step 9

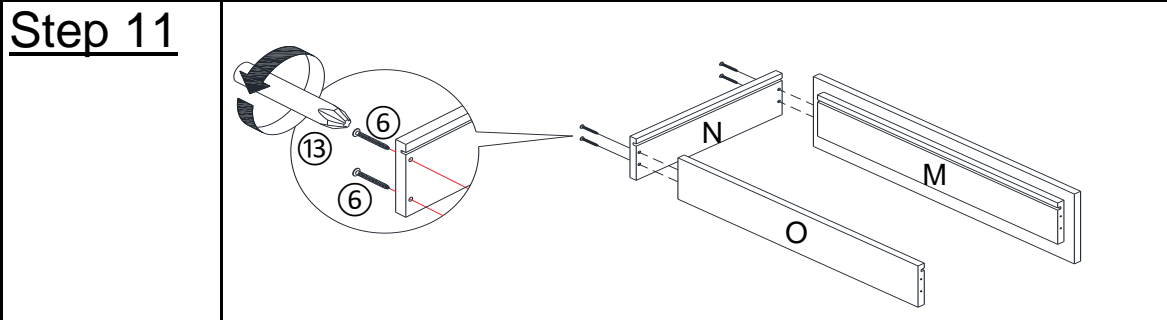


**9.1)** Insert the Positioning Dowels(④) from the Left Side Panel (D), the Right Side Panel (E) and the Center Panel (F) into the mounting positions on the Bottom Panel (I).

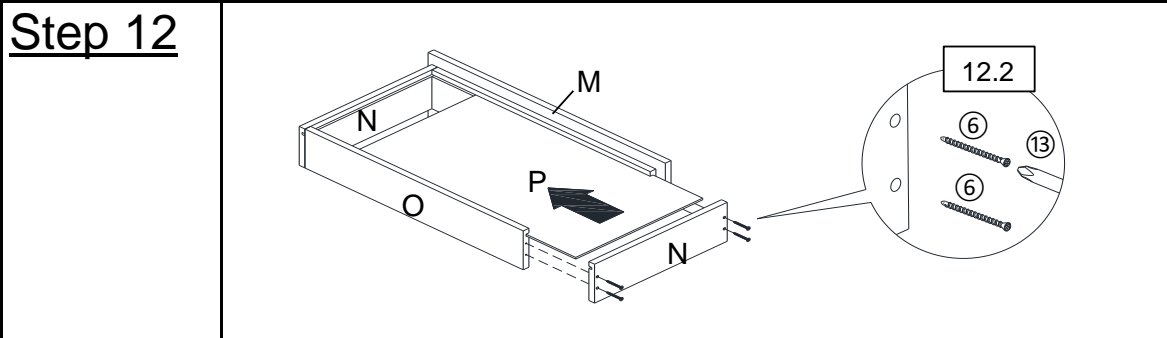
**9.2)** Attach the Bottom Panel (I) to the Left Side Panel (D), the Right Side Panel (E) and the Center Panel (F) using Cap Wood Screws(⑤) and the Allen Key(⑫).



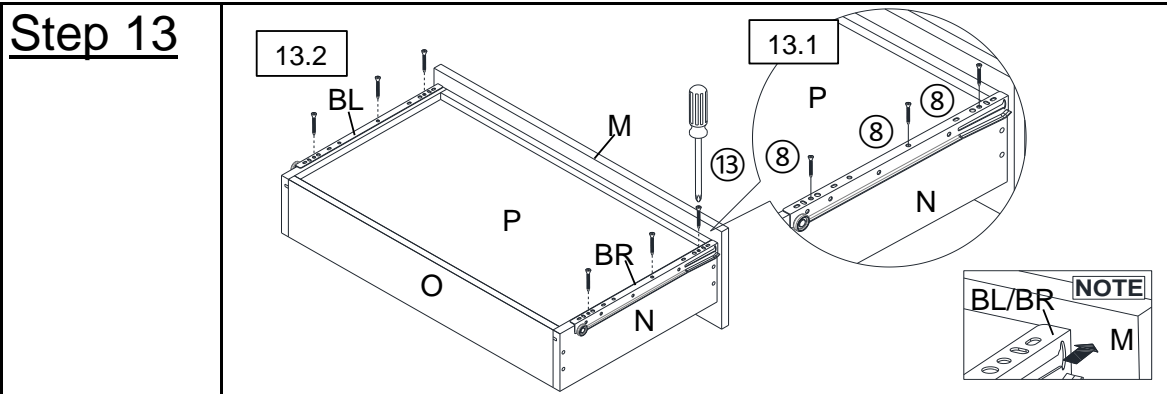
Attach the Legs (R) to the apron on the Bottom Panel (I) using Bolts(⑨), Spring Washers(⑩) and Washers(⑪) with the Allen Key(⑫).



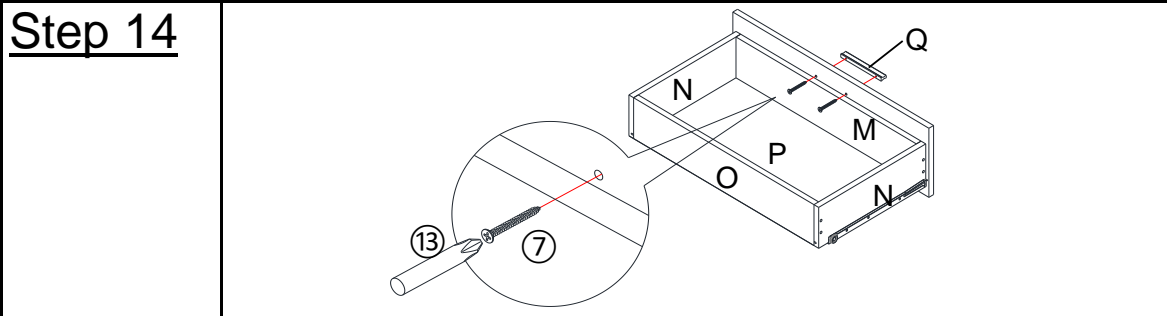
Attach the Drawer Side Panel (N) to the Drawer Front Panel (M) and the Drawer Back Panel (O) using Screws(⑥) and the Screwdriver(⑬).  
**Tighten the Screws fully in a sequential manner.**



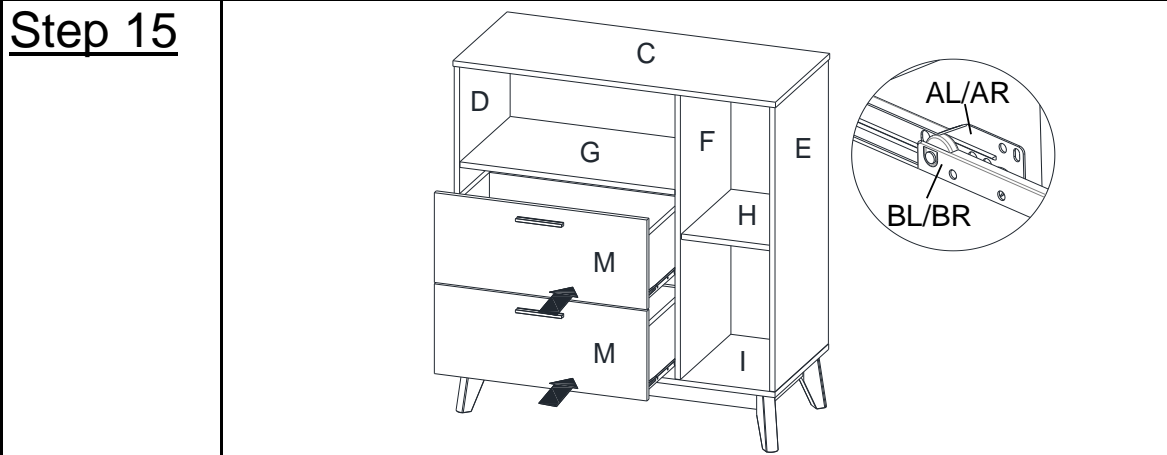
**12.1)** Slide the Drawer Bottom Panel (P) into the Assembled Drawer  
**12.2)** Attach the Drawer Side Panel (N) to the Drawer Front Panel (M) and the Drawer Back Panel (O) using Screws(⑥) and the Screwdriver(⑬).  
**Tighten the Screws fully in a sequential manner.**



**13.1)** Attach the Drawer Right Bottom Rail (BR) to the Drawer Side Panel (N) using Screws(⑧) and the Screwdriver(⑬) where indicated.  
**13.2)** Repeat the same process with the Drawer Left Bottom Rail (BL).  
**Tighten the Screws fully in a sequential manner.**



Attach the Handle (Q) to the Drawer Front Panel (M) using Screws(⑦) and the Screwdriver(⑬).  
**Tighten the Screws fully in a sequential manner.**



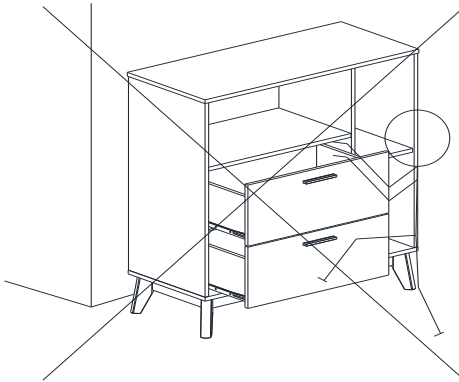
Put the Drawer Assembly in place by aligning the rails.

## Cabinet Restraint Device Installation Instructions

### WARNING

Serious or fatal crushing injuries can occur from tipping furniture.  
To help prevent tip-over: ALWAYS secure this furniture to the wall using Cabinet Restraint Device.

See product instructions for more ways to help prevent furniture tip-over.

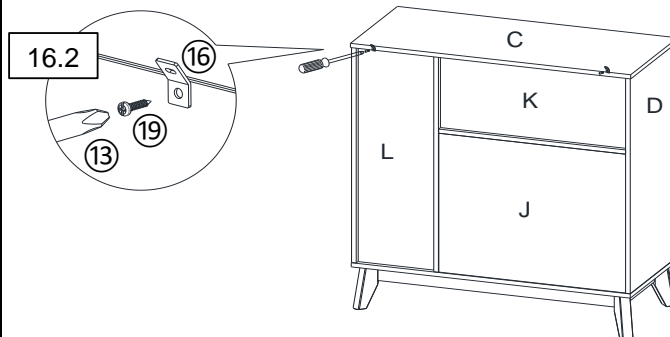


### Usage For Cabinet Restraint Device:

To secure the Cabinet against the wall, attach two Metal Brackets(16) on the wall and the product, use Cabinet Restraint Straps(20) to connect the Metal Brackets(16).

### Instructions:

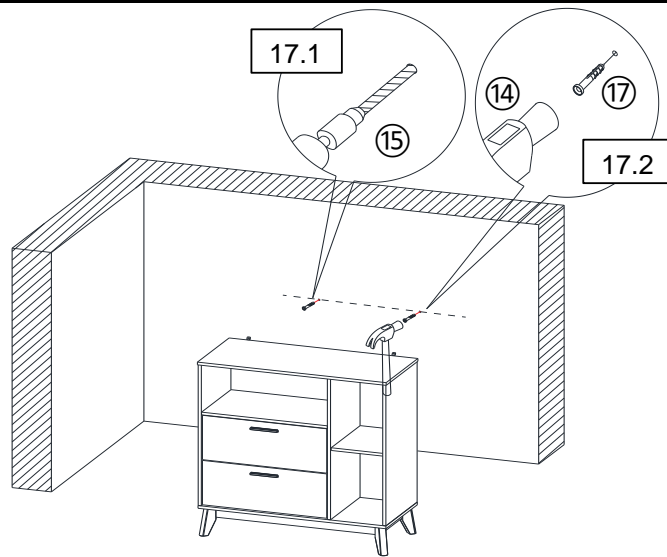
#### Step 16



**16.1)** Turn the Cabinet so the back side faces you.

**16.2)** Attach the Metal Brackets(16) to the Top Panel (C), where labeled, using Pan Head Screws(19) and the Screwdriver(13).

## Step 17



**17.1)** Drill two holes on the wall at the same height as the Metal Brackets(16) on the Cabinet using a Power Drill(15).

You can mark these points in two ways as below:

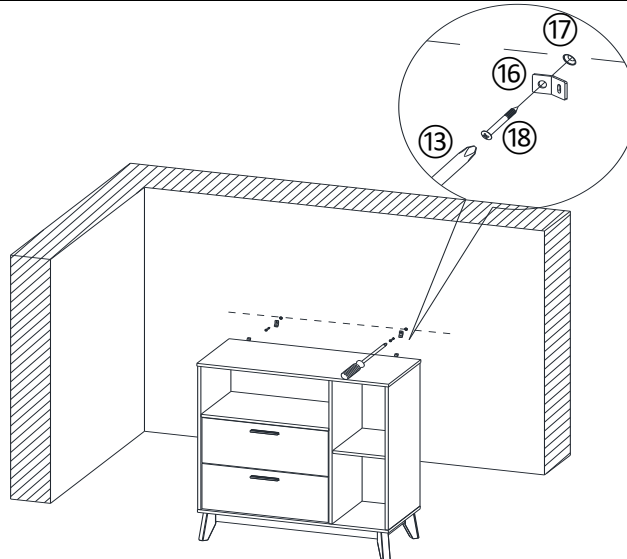
1) Move the Cabinet back to the wall. Mark two points on the wall at the same height as the Cabinet.

Note: The Metal Brackets need to be secured to a solid, load bearing surface. Please use a Stud Finder(not supplied) if needed to locate the Wall Frame.

2) Measure the height of the Metal Brackets(16) with a ruler/measuring tape and mark on the wall to keep them accurate and the same height.

**17.2)** Insert Wall Plugs(17) into the drilled holes on the wall using a

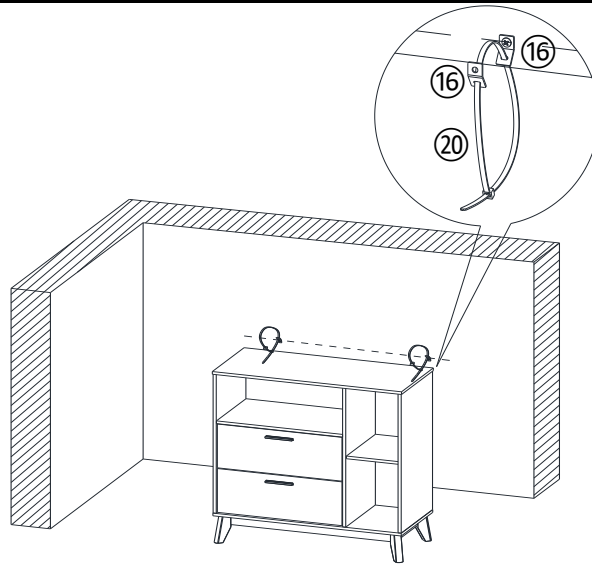
## Step 18



Attach the Metal Brackets(16) to the Wall Plugs(17) using Wall Plug Screws(18) and the Screwdriver(13).



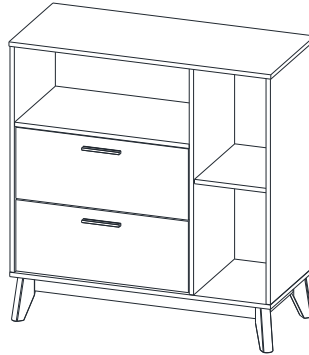
## Step 19



Move the Cabinet to the wall.

Pull the Cabinet Restraint Straps(20) through the Metal Brackets(16) on the wall and Cabinet one by one, and pull the Cabinet Restraint Straps(20) tight.












## Step 20



Your Cabinet is ready for use.

**This Cabinet can only be used on a flat, level surface.**

## **Care & Maintenance**

- ✓  • Furniture may scratch floors. We recommend using furniture pads to protect your floors.
- ⊘  • Do not put hot items directly on furniture surface.
- ⊘  • Do not clean furniture with harsh cleansers or polish.
- ⊘  • Do not place furniture under direct sunlight.
- ⊘  • Do not place furniture near heating or cooling vents.
- ⊘  • Do not write on furniture without a padded barrier to protect the surface.
- ⊘  • Do not place furniture outside . For indoor use only.
- ⊘  • Not for commercial use. For residential use only.
- ⊘  • Stains may be removed with mild soap solution and damp cloth.
- ⊘  • Children should not climb or jump on the furniture.
- ✓  • Dust and pick-up spills using a clean, non-colored, lint-free cloth.