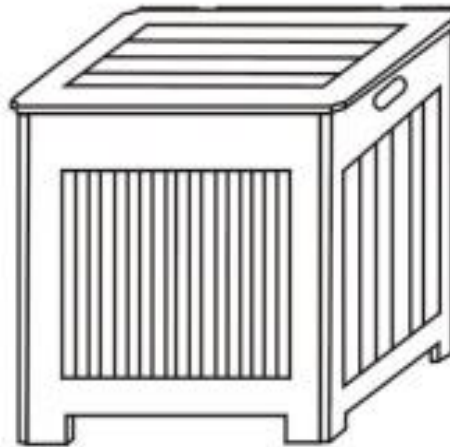


Assembly Instructions

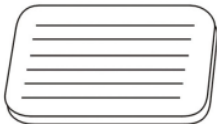

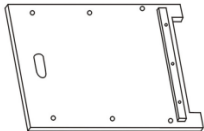
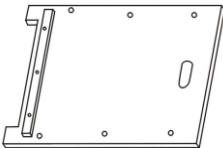
Caution : You must read this before you proceed

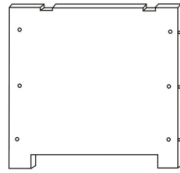
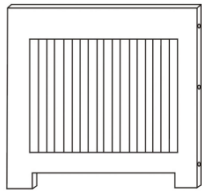
Please look in the velcro pouch for hardware packs and legs.

Cabinet




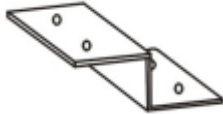





Parts List

Label	Picture	Description	QTY
A		Top Panel	1
B		Bottom Panel	1
C		Left Side Panel	1
D		Right Side Panel	1

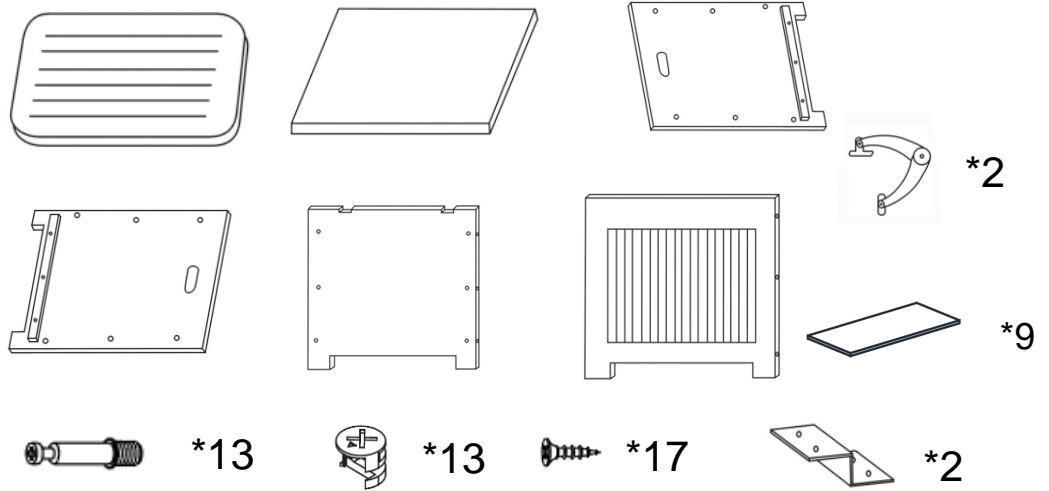
E		Back Panel	1
F		Front Panel	1

Hardware

Label	Picture	Description	QTY
①		Cam Bolt (M6x35mm)	13
②		Cam Nut (M10x15mm)	13
③		Screw (M3x12mm)	17
④		Hinge	2
⑤		Lifting Arm	2
⑥		Screwdriver (Not Provided)	1
⑦		Pad	9

Assembly Preparation

Before Beginning Assembly:



- Read instructions, cover to cover-



- Have 2 adults on hand for assembly-



- Do not assemble on flooring or carpet-



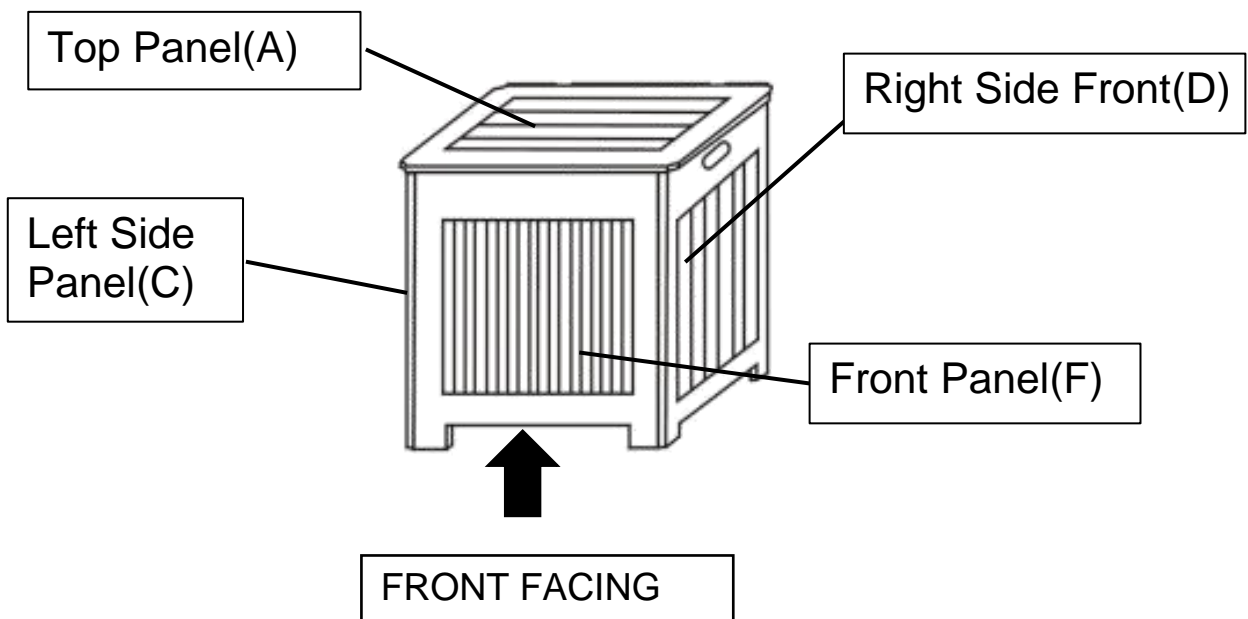
- Assemble on a clean non-marring surface (packing foam)-



- Save all packaging until finished-

Assembly Steps

Overview

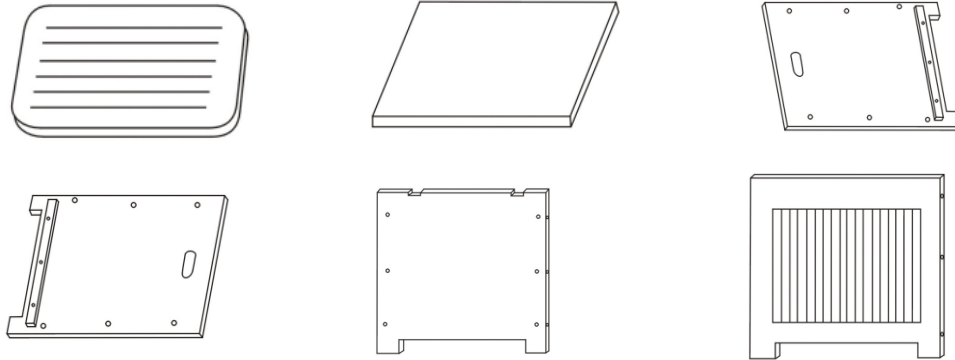


This Cabinet has multiple parts and may require up to 30 minutes to assemble.

To give you an overview of the Cabinet parts, the above picture is to help you put the various parts into perspective.

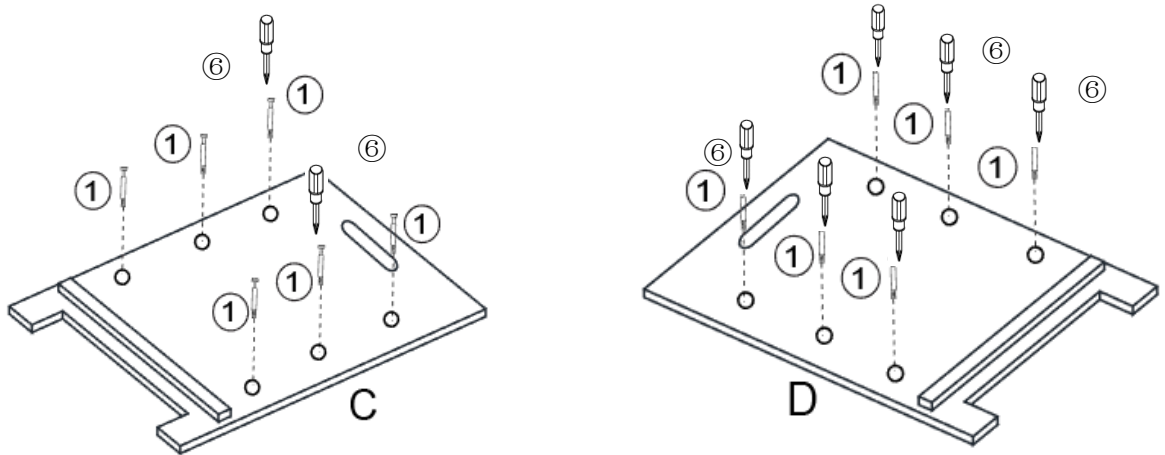
Please read through the instructions below to familiarise yourself with the parts and steps before assembly.

Step 1



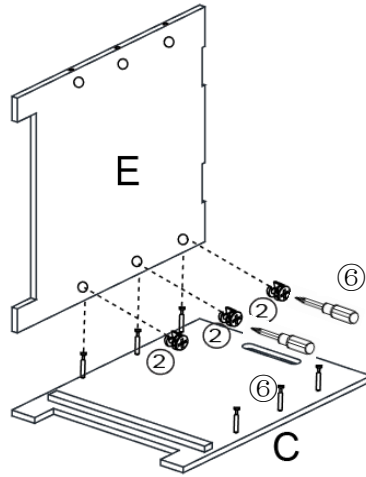
Unpack and place all parts on a clean, non-marring surface.

Step 2



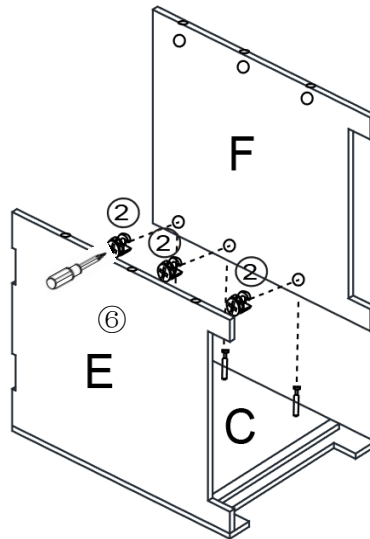
Attach Cam Bolts(①) to the Left Side Panel(C) and Right Side Panel(D) using Screwdriver(⑥) as shown.

Step 3



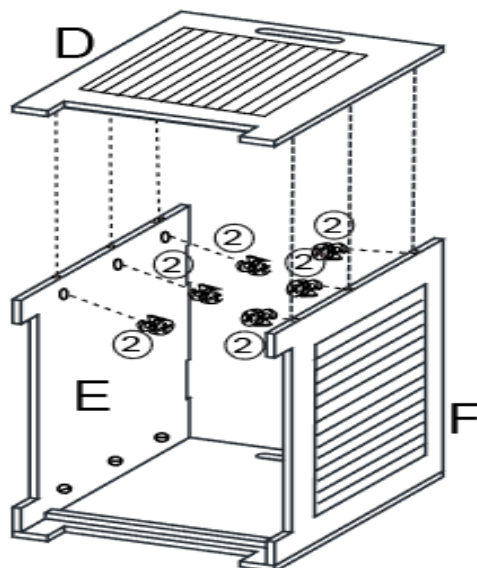
Attach Back Panel(E) to the Cam Bolt on Left Side Panel(C) using Cam Nut(②) with Screwdriver(⑥) as shown.

Step 4



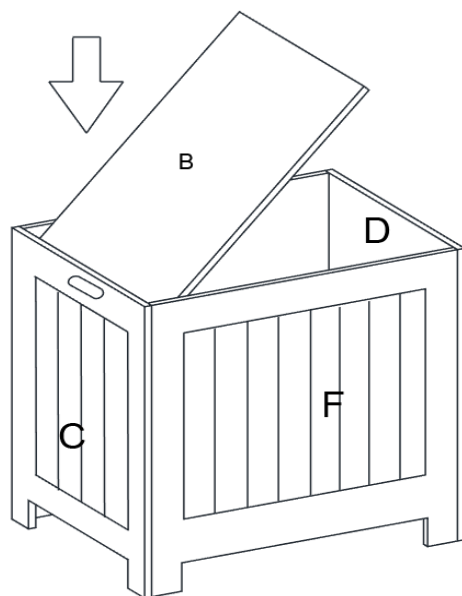
Attach Front Panel(F) to the Cam Bolt on Left Side Panel(C) using Cam Nut(②) with Screwdriver(⑥) as shown.

Step 5

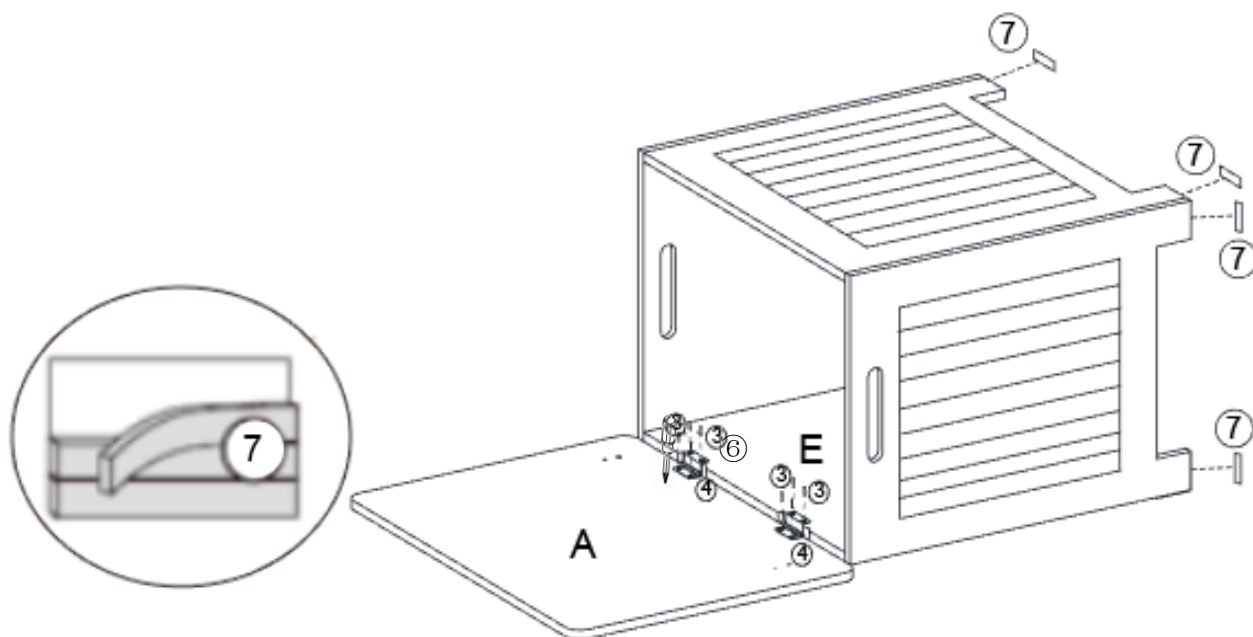


Attach Right Side Panel(D) to the mounting positions on Front Panel(F) and Back Panel(E) using Cam Nut(②) with Screwdriver(⑥).

Step 6



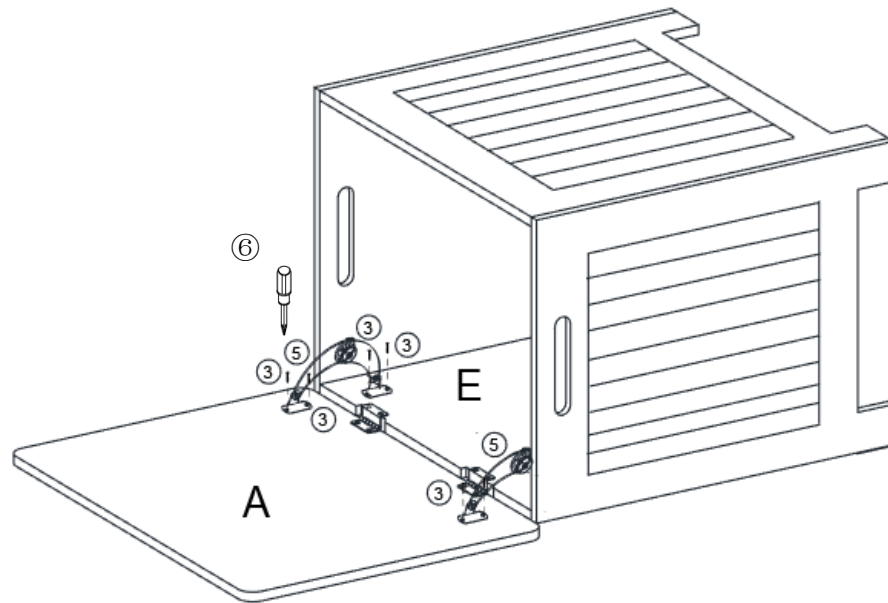
Insert Bottom Panel(B) into the Cabinet at a 45° angle.



Attach Hinge(④) to the Back Panel(E) and Top Panel(A) using Screw(③) with Screwdriver(⑥) as shown.

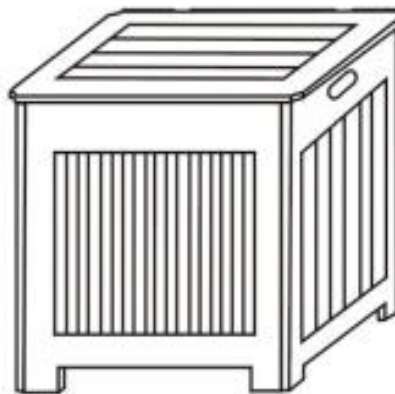
Peel a Pad(⑦) off the backing and apply it squarely to a leg as shown in the picture. Repeat this step with the remaining three feet.

Step 8














Attach Lifting Arm(⑤) to the Top Panel(A) and Back Panel(E) using Screw(③) with Screwdriver(⑥) as shown.

Step 9



Your Cabinet is ready for use.
This Cabinet can only be used on a flat, level surface.

Care & Maintenance

- ✓  • Furniture may scratch floors. We recommend using furniture pads to protect your floors.
 - ⊘  • Do not put hot items directly on furniture surface.
 - ⊘  • Do not clean furniture with harsh cleansers or polish.
 - ⊘  • Do not place furniture under direct sunlight.
 - ⊘  • Do not place furniture near heating or cooling vents.
 - ⊘  • Do not write on furniture without a padded barrier to protect the surface.
 - ⊘  • Do not place furniture outside . For indoor use only.
 - ⊘  • Not for commercial use. For residential use only.
 - ⊘  • Stains may be removed with mild soap solution and damp cloth.
 - ⊘  • Children should not climb or jump on the furniture.
-
- ✓  • Dust and pick-up spills using a clean, non-colored, lint-free cloth.

Noble house Home Furnishings LLC