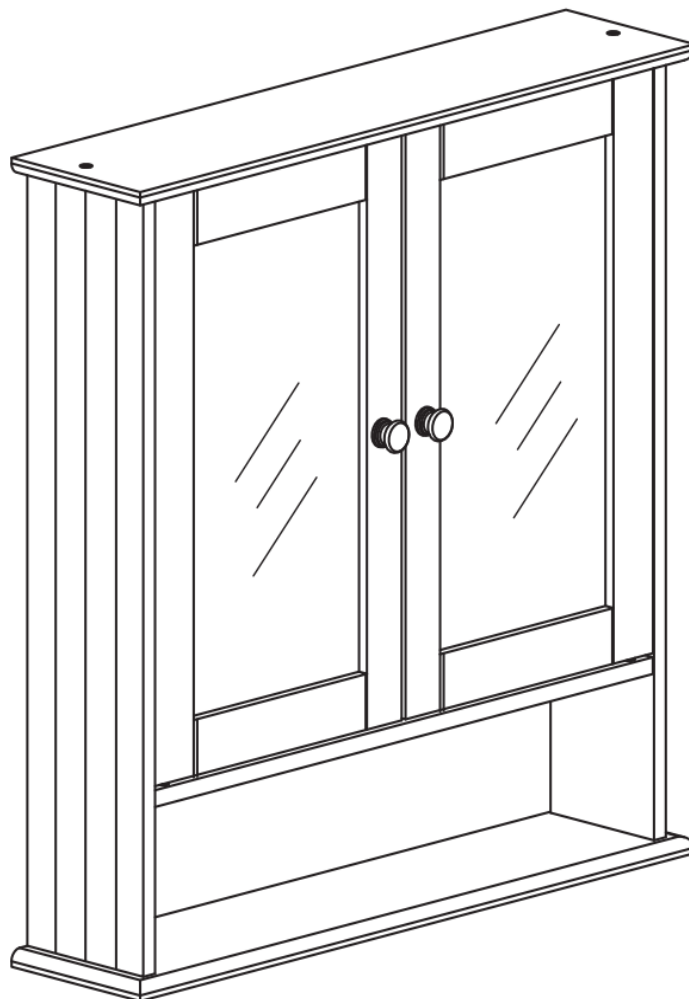


Assembly Instructions




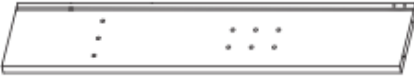



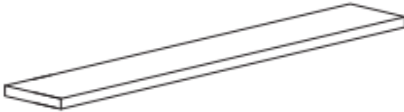
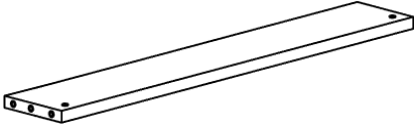
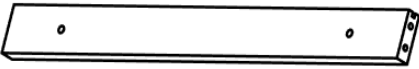

Caution : You must read this before you proceed

Please look in the velcro pouch for hardware packs and legs.




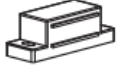






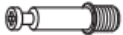






Cabinet



Parts List

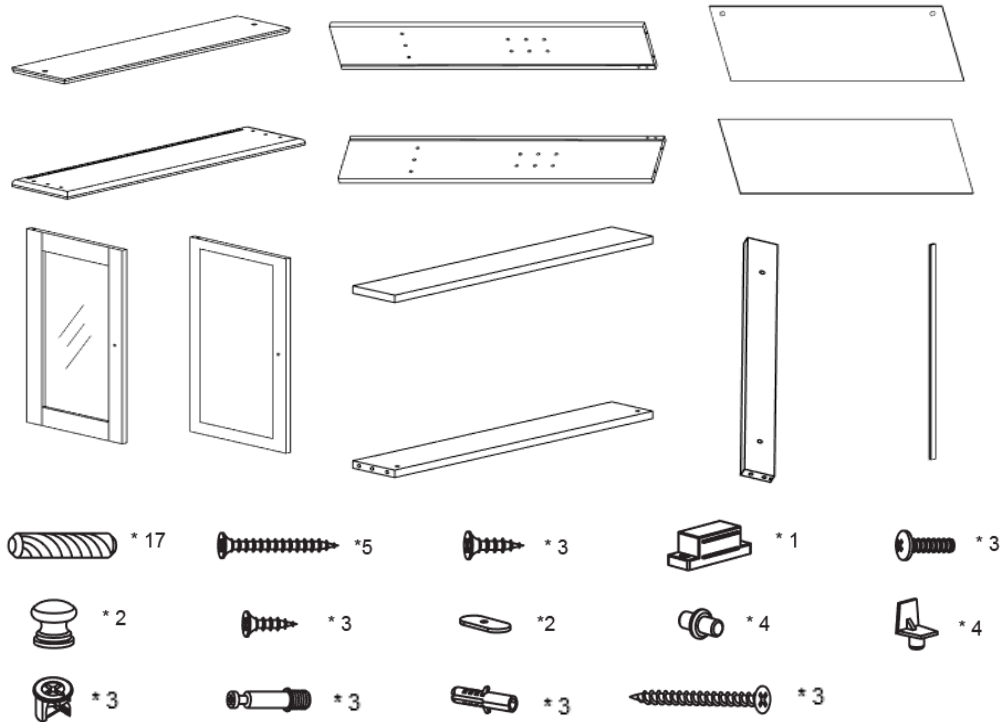
Label	Picture	Description	QTY
A		Top Panel	1
B		Bottom Panel	1
C		Left Side Panel	1
D		Right Side Panel	1
E		Upper Back Panel	1
F		Bottom Back Panel	1
I		Door With Mirror	2
J		Shelf Panel	1
K		Upper Bottom Panel	1
L		Upper Back Bar	1
M		Plastic Bar	1

Hardware

Label	Picture	Description	QTY
①		Dowel	17
②		Screw (M4x30mm)	5
③		Screw (M3x14mm)	3
④		Magnet	1
⑤		Screw (M4x16mm)	3
⑥		Door Knob	2
⑦		Screw (M3x12mm)	3
⑧		Magnetic Bar	2
⑨		Door Pin	4
⑩		Shelf Support	4
⑪		Cam Bolt	3
⑫		Cam Nut	3
⑬		Screw (M4x40mm)	3
⑭		Wall Anchor	3
⑮		Screwdriver (Not Provided)	1
⑯		Power Drill (Not Provided)	1
⑰		Hammer (Not Provided)	1

Assembly Preparation

Before Beginning Assembly:



- Read instructions, cover to cover-



- Have 2 adults on hand for assembly-



- Do not assemble on flooring or carpet-



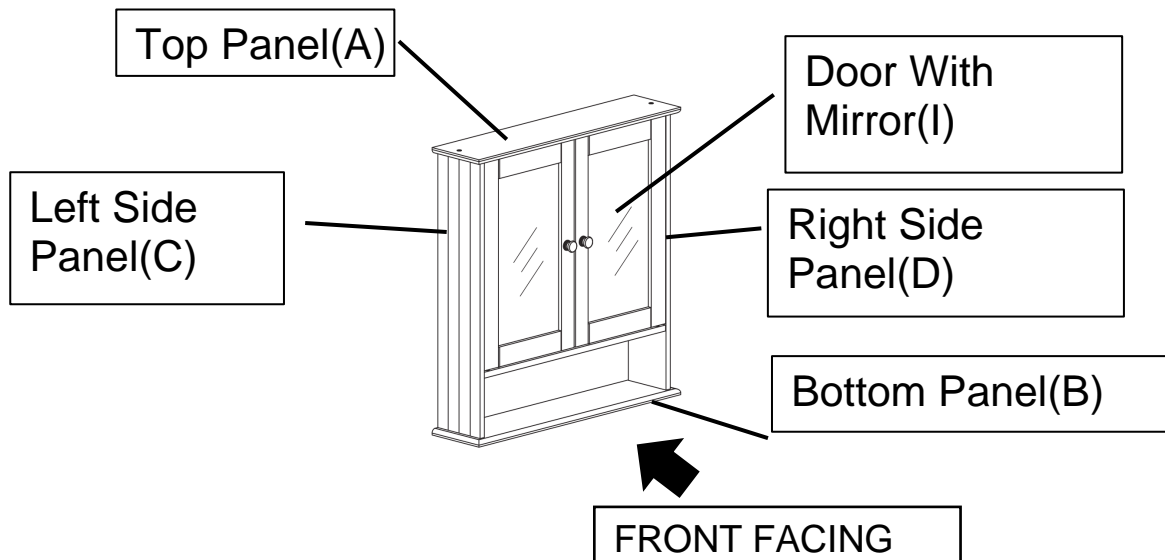
- Assemble on a clean non-marring surface (packing foam)-



- Save all packaging until finished-

Assembly Steps

Overview

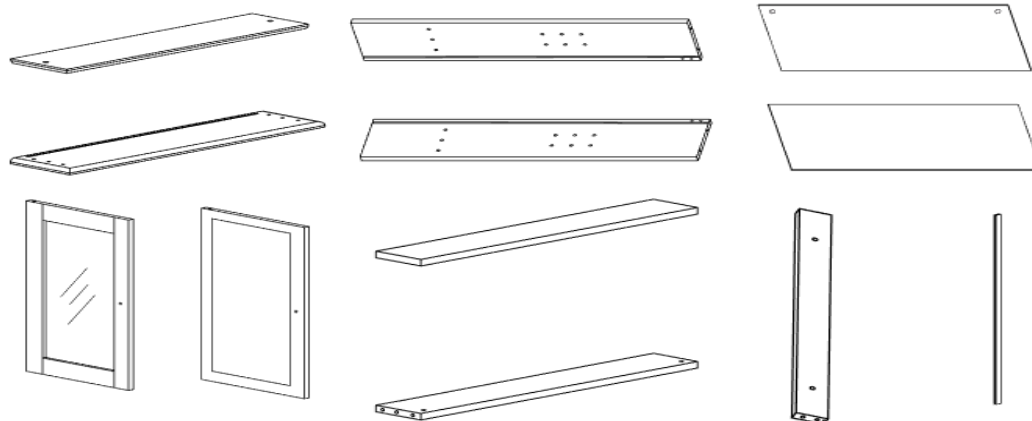


This Cabinet has multiple parts and may require up to 60 minutes to assemble.

To give you an overview of the Cabinet parts, the above picture is to help you put the various parts into perspective.

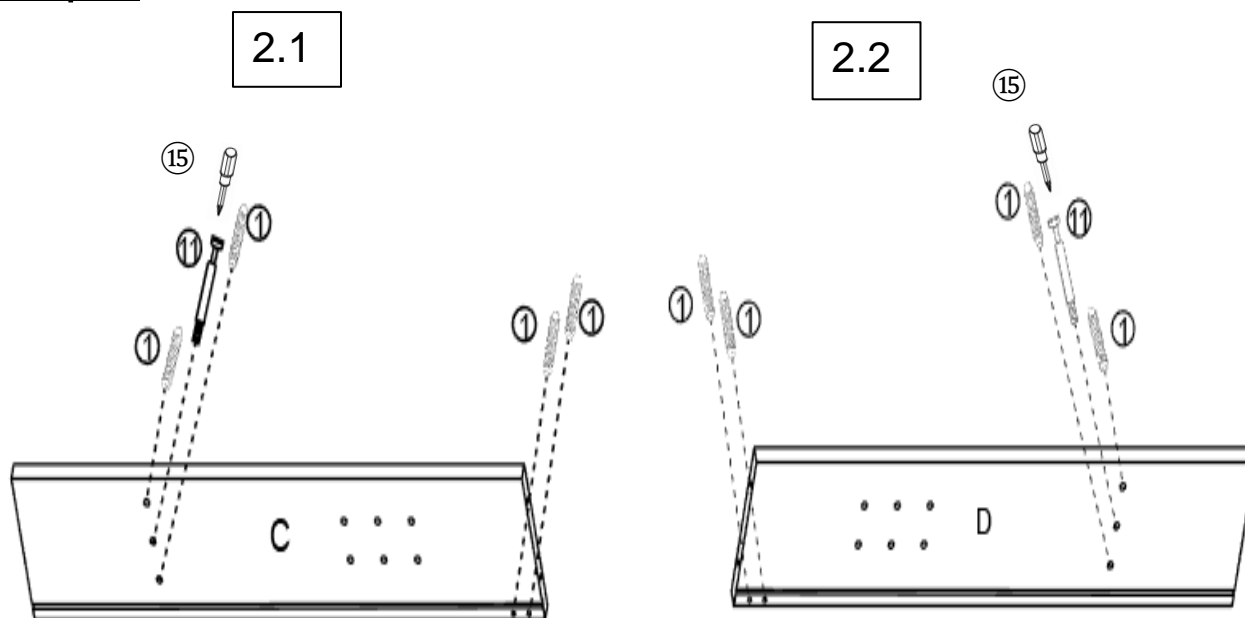
Please read through the instructions below to familiarise yourself with the parts and steps before assembly.

Step 1



Unpack and place all parts on a clean, non-marring surface.

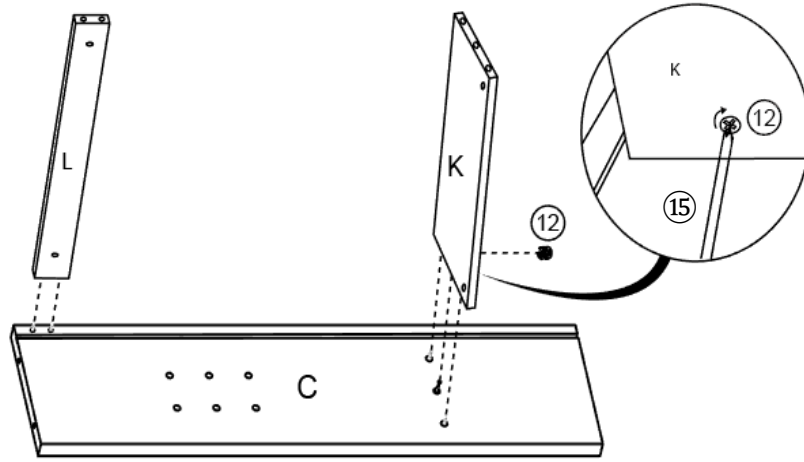
Step 2



2.1) Attach Dowel(①) to Left Side Panel(C), attach Cam Bolt(⑪) to Left Side Panel(C) Using Screwdriver(⑮) as shown.

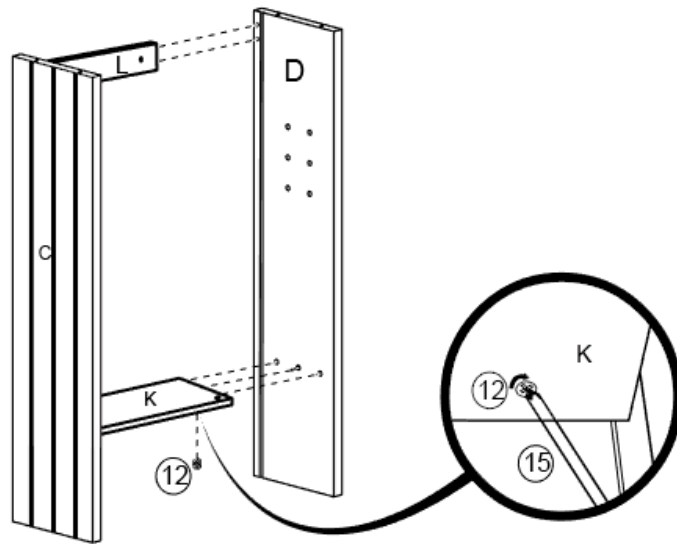
2.2) Attach Dowel(①) to Right Side Panel(D), attach Cam Bolt(⑪) to Right Side Panel(D) Using Screwdriver(⑮) as shown.

Step 3



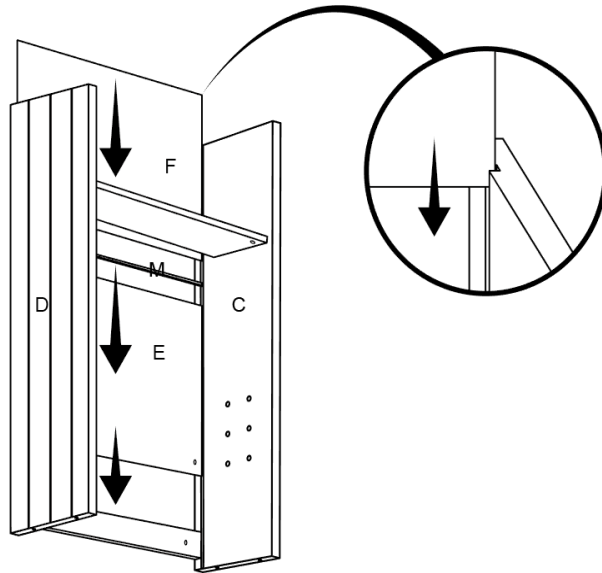
Attach Upper Back Bar(L) to the Dowel on Left Side Panel(C) .
Attach Upper Bottom Panel(K) to the Dowel and Cam Bolt on Left Side Panel(C), insert Cam Nut(12) into the mounting positions on Upper Bottom Panel(K), lock by turning Screddriver(15).

Step 4



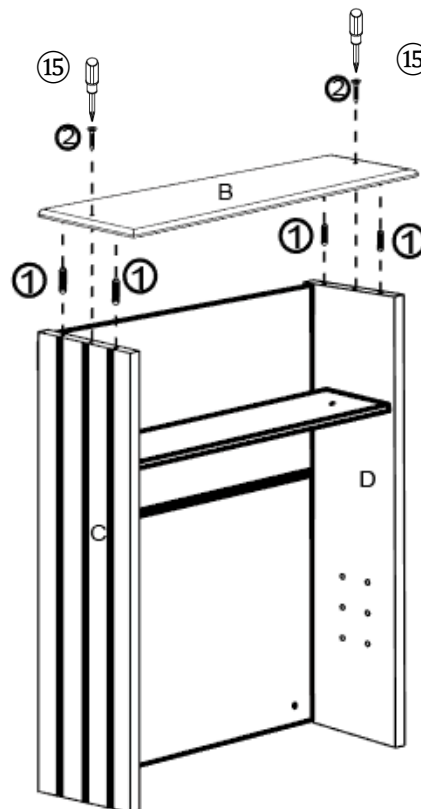
Repeat the same process to assemble Right Side Panel(D) to Upper Back Bar(L) and Upper Bottom Panel(K)

Step 5



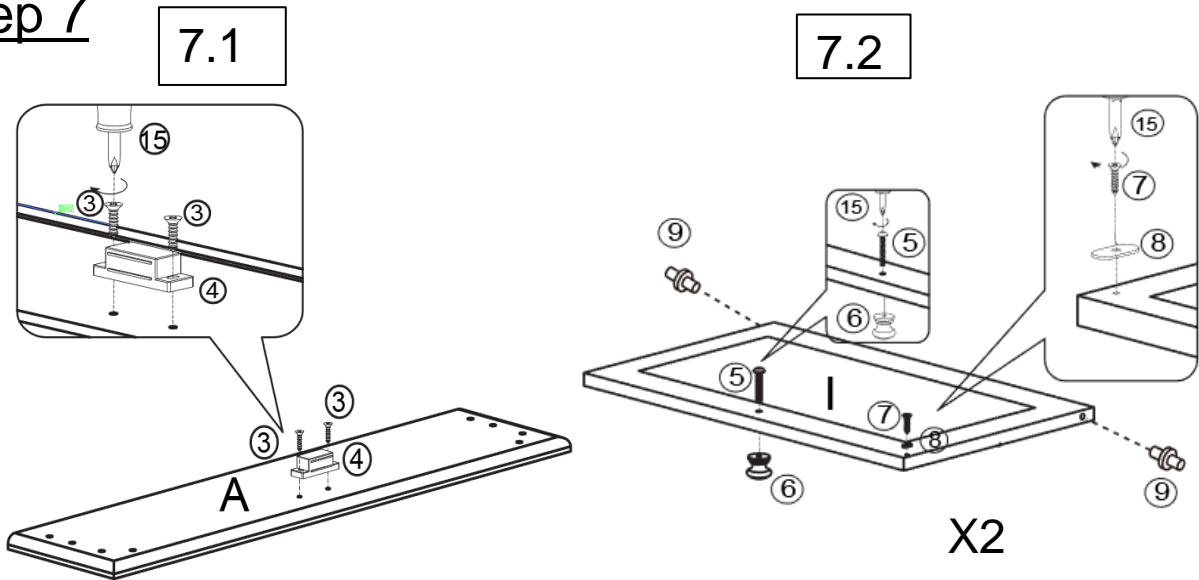
Insert Upper Back Panel(E) into the grooves on Left Side Panel(C) and Right Side Panel(D), then insert Plastic Bar(M) into the grooves on Upper Back Panel(E), finally insert Bottom Back Panel(F) into the grooves on Left Side Panel(C), Right Side Panel(D) and Plastic Bar(M).

Step 6



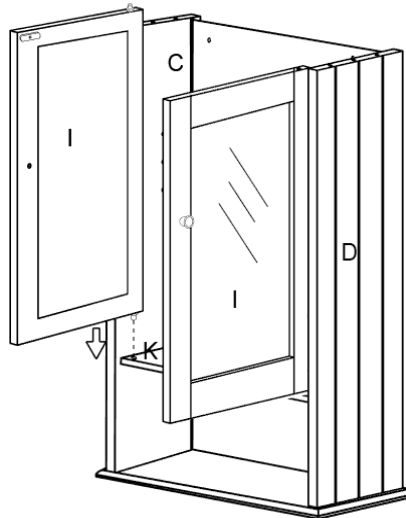
Insert Dowel(①) into the mounting positions on Left Side Panel(C) and Right Side Panel(D), then attach Bottom Panel(B) to Left Side Panel(C) and Right Side Panel(D) using Screw(②) with Screwdriver(⑮) as shown.

Step 7



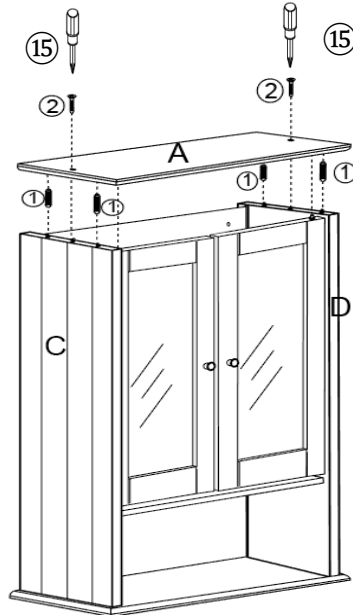
- 7.1) Attach Magnet(4) to Top Panel(A) using Screw(3) with Screwdriver(15).
- 7.2) Attach Magnetic Bar(8) to Door With Mirror(I) using Screw(7) with Screwdriver(15). Then Attach Door Knob(6) to Door With Mirror(I) using Screw(5) with Screwdriver(15). Insert Iron Shaft(9) into the mounting positions on Door With Mirror(I) as shown.

Step 8



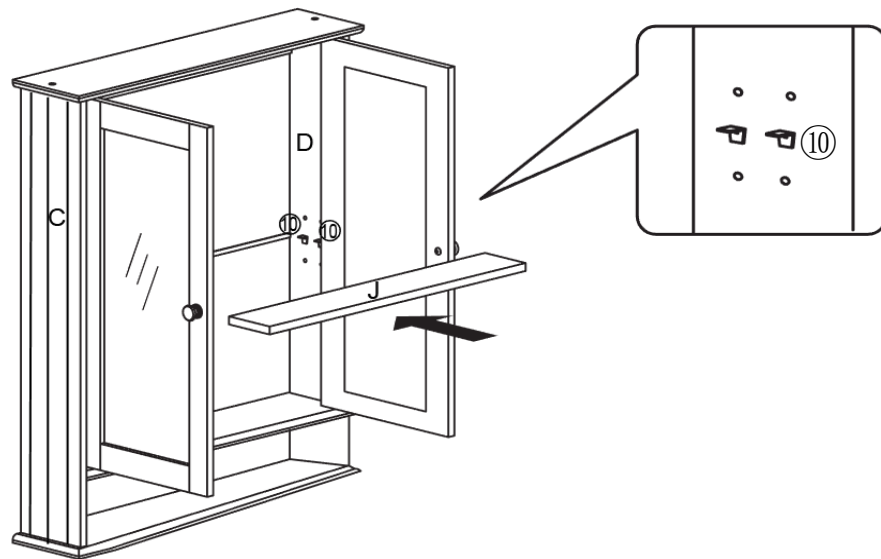
Attach Door With Mirror(I) to the mounting positions on Left Side Panel(C), Right Side Panel(D) and Upper Bottom Panel(K).

Step 9



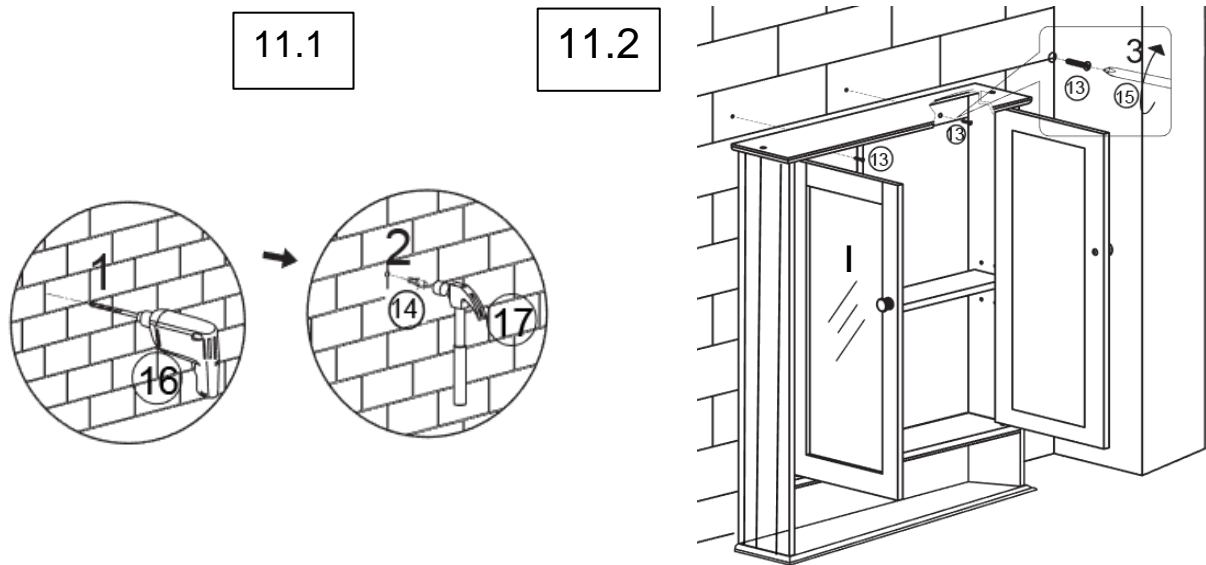
Insert Dowel(①) into the mounting positions on Left Side Panel(C) and Right Side Panel(D). Attach Top Panel(A) to Left Side Panel(C) and Right Side Panel(D) using Screw(②) with Screwdriver(⑮).

Step 10



Insert Shelf Support(⑩) into the mounting positions in the inside of Left Side Panel(C) and Right Side Panel(D), Place Shelf Panel(J) onto the Shelf Support(⑩).

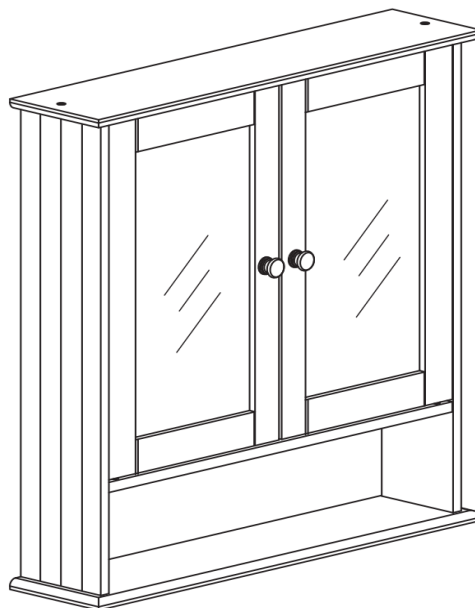
Step 11



11.1) Drill two mounting positions on the wall at the same height with Power Drill(16), insert Wall Anchor(14) into drilled mounting positions on the wall with Hammer(17).

11.2) Move the cabinet back to the wall, open the Door With Mirror(I), Insert Screw(13) into the mounting positions on Upper Back Bar(L) lock by Screwdriver(15).

Step 12



Your Cabinet is ready for use.

This Cabinet can only be used on a flat, level surface.

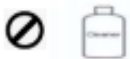
Care & Maintenance



- Furniture may scratch floors. We recommend using furniture pads to protect your floors.



- Do not put hot items directly on furniture surface.



- Do not clean furniture with harsh cleansers or polish.



- Do not place furniture under direct sunlight.



- Do not place furniture near heating or cooling vents.



- Do not write on furniture without a padded barrier to protect the surface.



- Do not place furniture outside . For indoor use only.



- Not for commercial use. For residential use only.



- Stains may be removed with mild soap solution and damp cloth.



- Children should not climb or jump on the furniture.



- Dust and pick-up spills using a clean, non-colored, lint-free cloth.