

# WARNING!!

Children have died from furniture tipover. Tip restraints have been included with this product; you must install the tip restraints according to these instructions in order to minimize the risk of furniture tipping. If you have any questions about this product or the tip restraint, please send us an email at [tip\\_restraint\\_help@Noblehousefurniture.com](mailto:tip_restraint_help@Noblehousefurniture.com)

**NEVER** allow children to climb or hang on furniture, including drawers or cabinet doors.

In addition to installing the restrains to help prevent tip-over

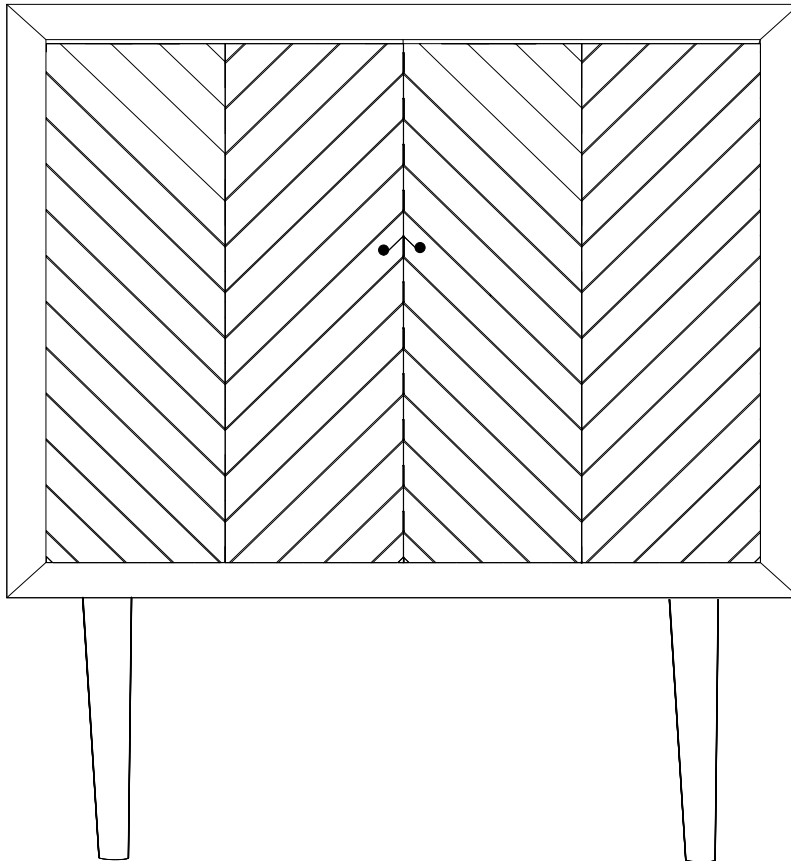
1. **NEVER** put a TV or other heavy objects on top of this product".
2. Do not stand on the product

<b>⚠ WARNING</b>	
	<p><b>Children have died from furniture tipover. To reduce the risk of furniture tipover:</b></p> <ul style="list-style-type: none"><li>• ALWAYS install tipover restraint provided.</li><li>• NEVER put a TV on this product.</li><li>• NEVER allow children to stand, climb or hang on drawers, doors, or shelves.</li><li>• NEVER open more than one drawer at a time.</li><li>• Place heaviest items in the lowest drawers.</li><li>• Do not defeat or remove the drawer interlock system.</li></ul> <p><i>This is a permanent label. Do not remove!</i></p>
	

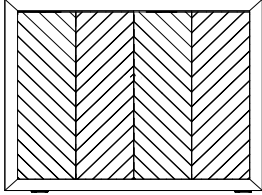

# Assembly Instructions

**Caution : You must read this before you proceed**





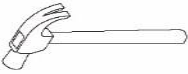



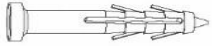


## Cabinet



## Parts List

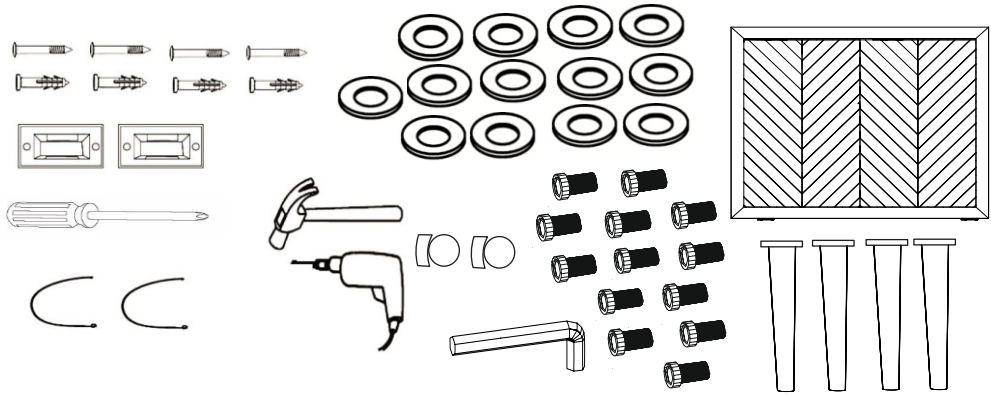
Label	Picture	Description	QTY
A		Cabinet	1
B		Legs	4

## Hardware

Label	Picture	Description	QTY
①		Washer(25MM)	13
②		Allen Screw(M6x30)	13
③		Allen Wrench	1
④		Screwdriver (not provided)	1
⑤		Hammer (not provided)	1
⑥		Power Drill (not provided)	1
⑦		Bracket	2
⑧		Wall Plug Screw(M20mmx5mm)	4
⑨		Wall Plug(40mmx5mm)	4
⑩		Restraint Strap	2
⑪		Knob	2

# Assembly Preparation

Before Beginning Assembly:



• Read instructions, cover to cover-



• Have 2 adults on hand for assembly-



• Do not assemble on flooring or carpet-

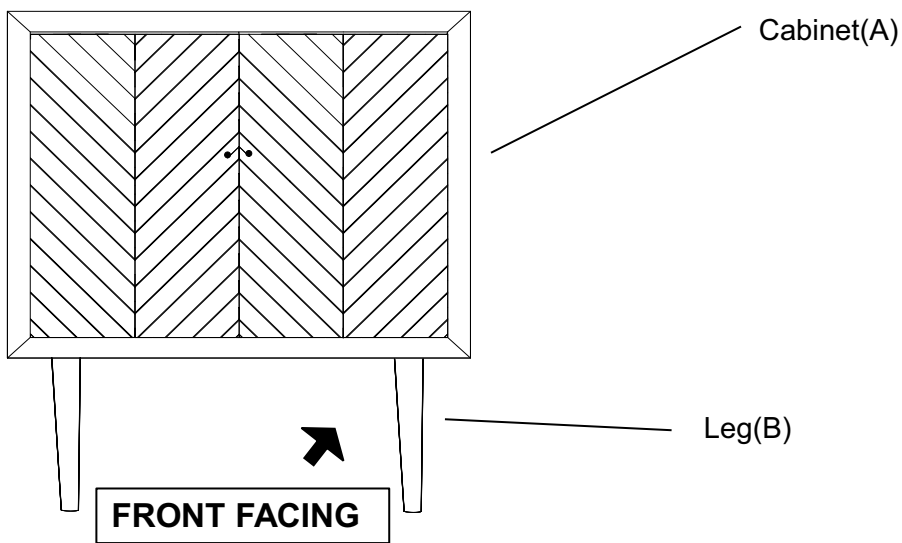


• Assemble on a clean non-marring surface (packing foam)-



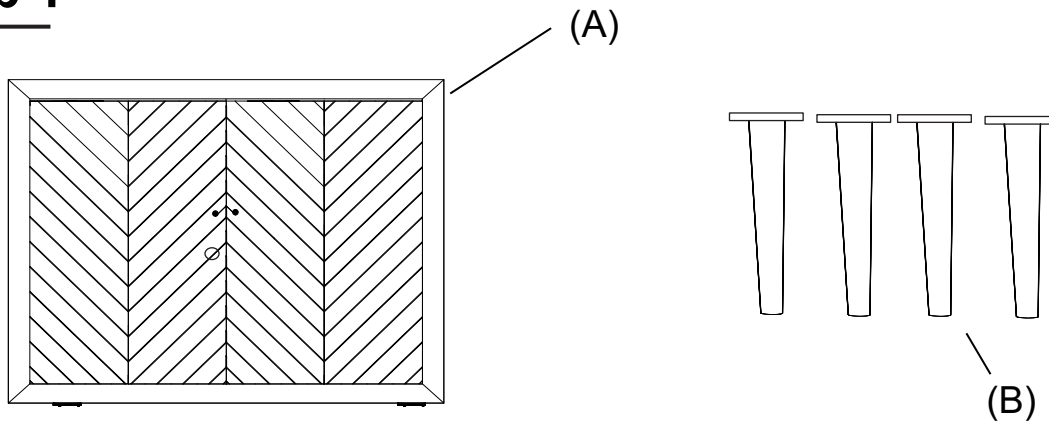
• Save all packaging until finished-

# Assembly Steps



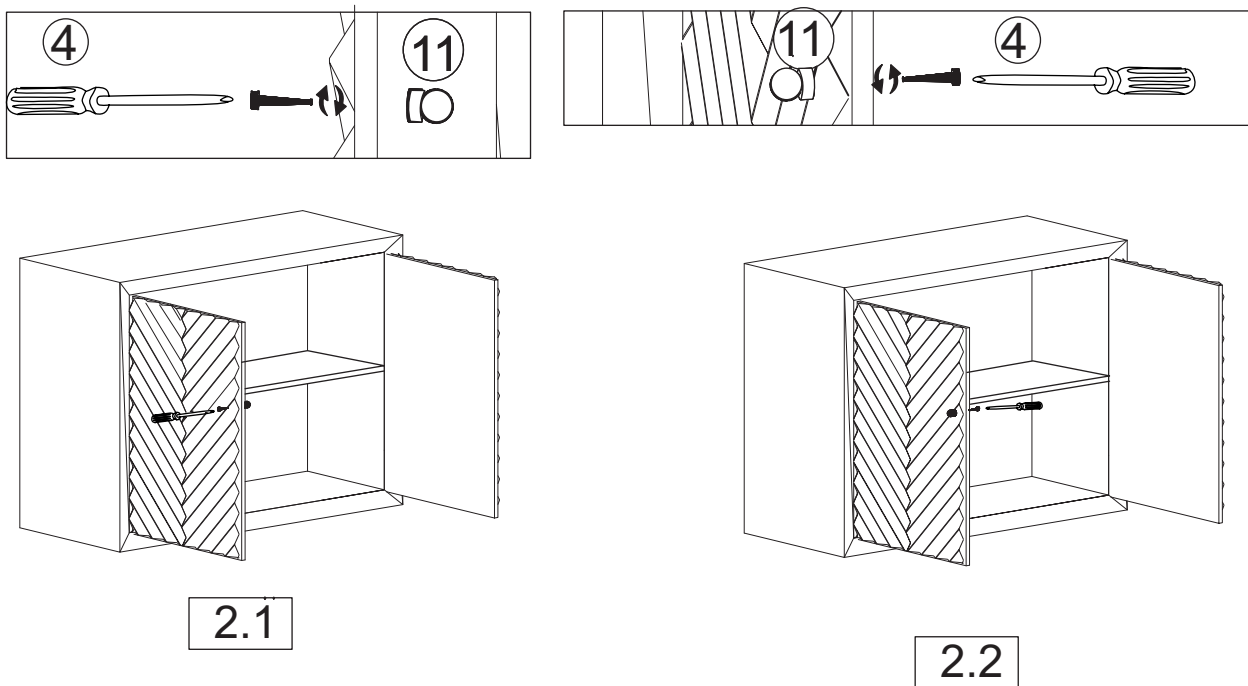
This Cabinet has multiple parts and may require up to 30 minutes to assemble. To give you an overview of the Cabinet parts, the above Please picture is to help you put the various parts into perspective. read through the instructions herebelow to familiarise the parts and steps before assembly.

## Step 1



Unpack and place all parts on a clean, non-marring surface.

## Step 2



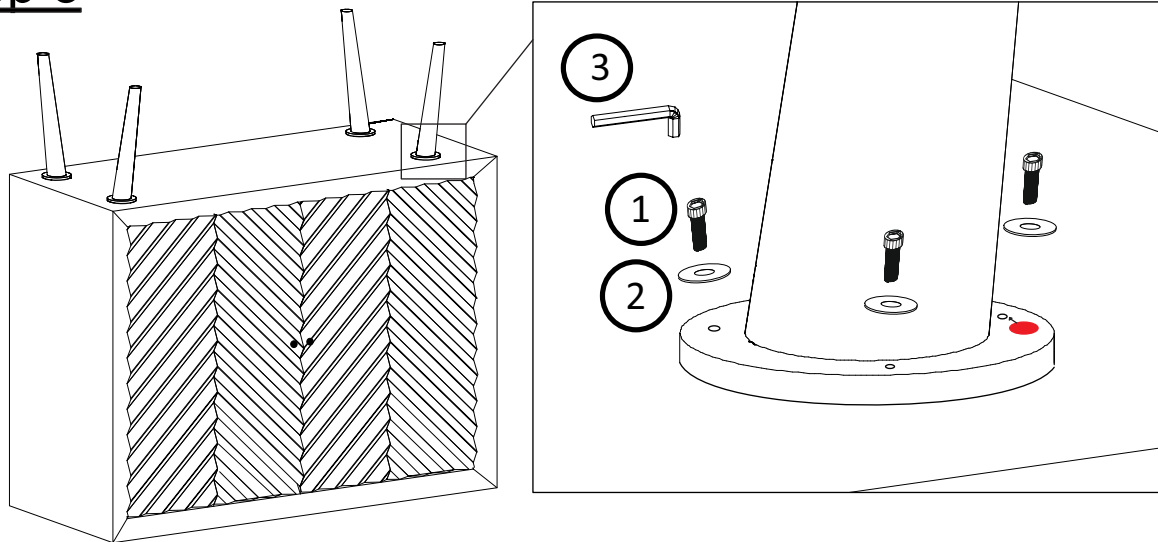
With help of your adult partner, carefully stand the Cabinet.

2.1 Put out the door and deassemble the Knob(11)with the help of Screwdriver (4) .

2.2 Install the Knob(11)on the door with the help of Screw driver (4) as pictured above.

Follow the same step 2 to attach the other knob(11).

### Step 3

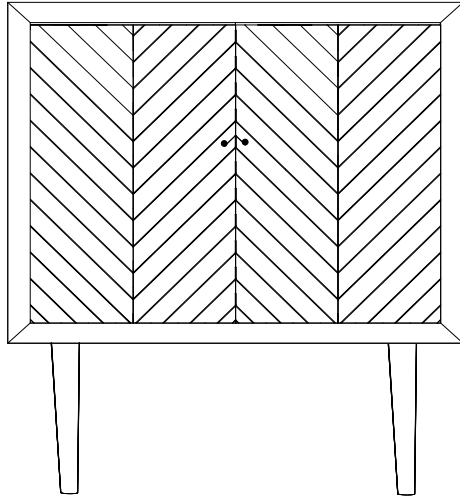


Place the Cabinet (A) upside down onto a clean, soft surface to avoid any scratches or damages to the product. Align the holes of Cabinet (A) into all Legs (B) as shown above. Match the red sticker.

Attach Leg(B) by using Washer (①),Allen Screws (②) with help of Allen Wrench (③) .

**DO NOT TIGHTEN THE SCREW FULLY.**

## Step 4



Turn the Cabinet, right side up.  
Place the Cabinet on a **LEVEL SURFACE**.  
Inspect it and make sure all parts are adequately connected.  
This would help to align all the parts at all the joint areas.

In a sequential manner, proceed to tighten all.  
To tighten the screw at the base of the Legs, do secure assistance from your adult partner(s).  
You may be required to turn the Cabinet, to gain easy access to the secure points.  
Turn the Cabinet in a synchronized manner.

**CAUTION 1:** When tightening these screw, tighten sequentially.  
**DO NOT** tighten any screws fully and then towards the next one.  
This would cause the frame to warp.

If there is still wobble, loosen the screw and execute this same process.

**WARNING!! IF CABINET IS NOT STABLE , IT COULD LEAD TO DAMAGING THE PRODUCT.**

Ensure all screw are fully locked into position.

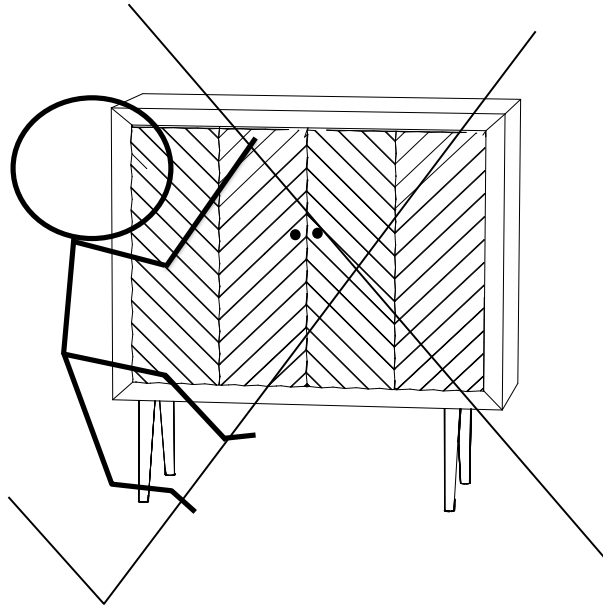
The Cabinet is ready to be used.

Caution 2: This Cabinet can only be used on a flat, level surface.

## Tipover Restraint Device Installation Instructions



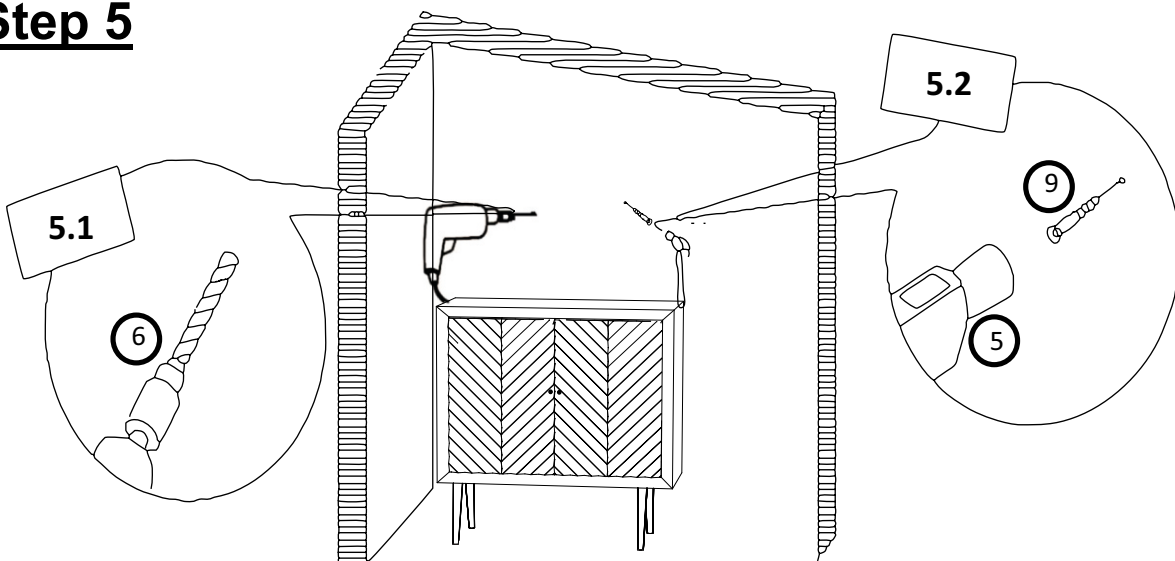
**Serious or fatal crushing injuries can occur from tipping furniture. To help prevent tip-over: ALWAYS secure this furniture to the wall using Tipover Restraint Device. See product instructions for more ways to help prevent furniture tip-over.**



### **Usage For Tipover Restraint Device:**

To secure Cabinet against wall, attach two Brackets ( ⑦ ) on wall and product, use Restraint Strap ( ⑩ ) to connect the Brackets ( ⑦ ).

### **Step 5**





5.1) Drill two holes on wall at same height as Brackets (⑦) on cabinet with Power Drill (⑥).

You can mark these points in two ways as below:

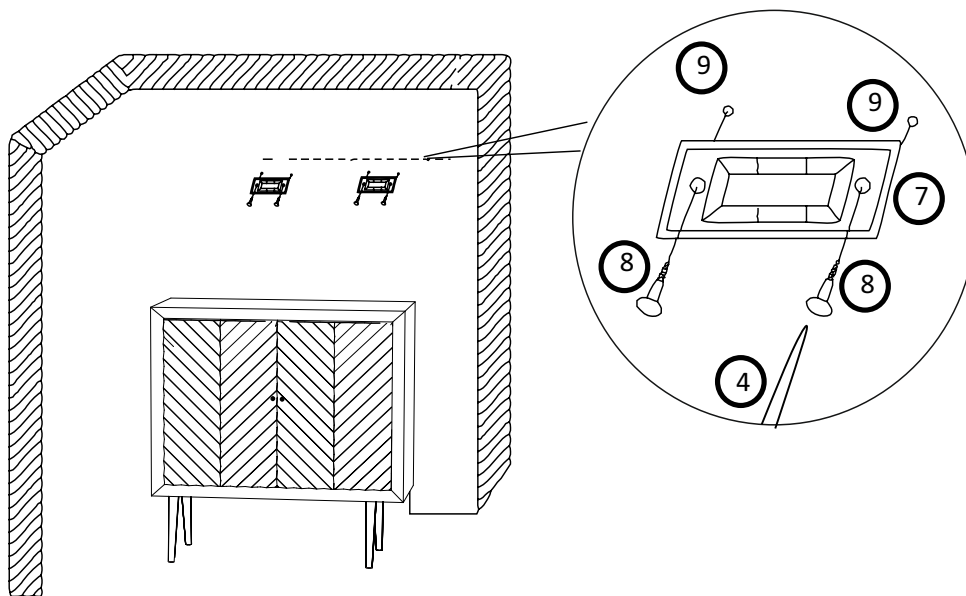
1) Move the Cabinet back to the wall. Mark two points same height as cabinet on the wall.

Note: The Brackets need to be secured to solid, load bearing surface. Please use a Stud Finder(not supplied) if needed to locate the Wall Frame.

2) Measure the height of the Brackets (⑦) with ruler/measuring tape and mark on wall to keep them accurate and same height.

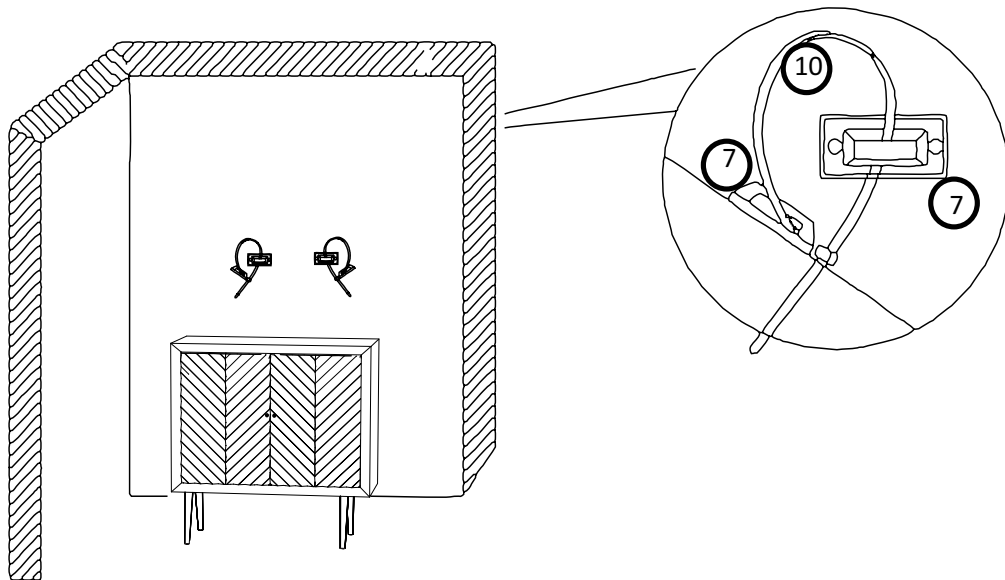
5.2) Insert Wall Plugs (⑨) into drilled holes on wall with Hammer (⑤).

## **Step 6**



Attach Brackets (⑦) to Wall Plugs (⑨) using Wall Plug Screws (⑧) with Screwdriver (④).

## Step 7



Move Cabinet to the wall.

Pull the Restraint Straps (⑩) through the Brackets (⑦) on the wall and Cabinet one by one, and pull the Restraint Straps (⑩) tight.

This Cabinet is now ready to use.

## Care & Maintenance



- Furniture may scratch floors. We recommend using furniture pads to protect your floors.



- Do not put hot items directly on furniture surface.



- Do not clean furniture with harsh cleansers or polish.



- Do not place furniture under direct sunlight.



- Do not place furniture near heating or cooling vents.



- Do not write on furniture without a padded barrier to protect the surface.



- Do not place furniture outside . For indoor use only.



- Not for commercial use. For residential use only.



- Stains may be removed with mild soap solution and damp cloth.



- Children should not climb or jump on the furniture.



- Dust and pick-up spills using a clean, non-colored, lint-free cloth.