

WARNING!!

Children have died from furniture tipover. Tip restraints have been included with this product; you must install the tip restraints according to these instructions in order to minimize the risk of furniture tipping. If you have any questions about this product or the tip restraint, please send us an email at tip_restraint_help@Noblehousefurniture.com

NEVER allow children to climb or hang on furniture, including drawers or cabinet doors.

In addition to installing the restrains, to help prevent tip-over

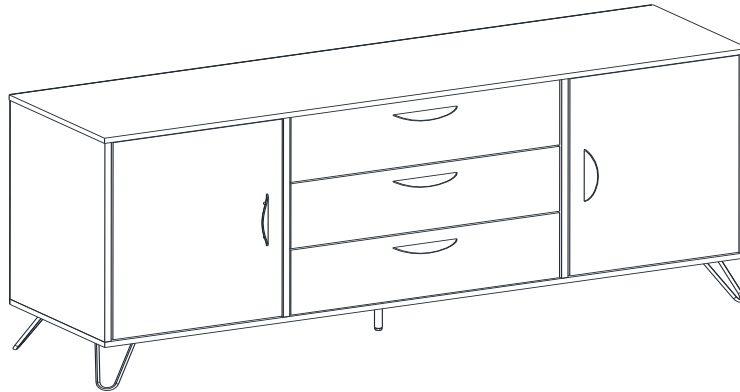
1. **NEVER** put a TV or other heavy objects on top of this product.
2. Do not stand on the product

 WARNING	
	<p>Children have died from furniture tipover. To reduce the risk of furniture tipover:</p> <ul style="list-style-type: none">• ALWAYS install tipover restraint provided.• NEVER put a TV on this product.• NEVER allow children to stand, climb or hang on drawers, doors, or shelves.• NEVER open more than one drawer at a time.• Place heaviest items in the lowest drawers.• Do not defeat or remove the drawer interlock system. <p><i>This is a permanent label. Do not remove!</i></p>
	








Assembly Instructions



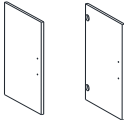

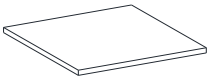


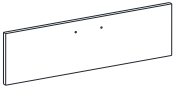
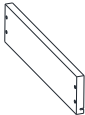
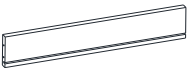




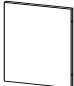
Caution : You must read this before you proceed

CABINET

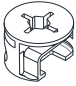









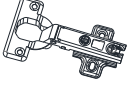











Parts List

Label	Picture	Description	QTY
AL		Drawer Left Side Rail	3
AR		Drawer Right Side Rail	3
BL		Drawer Left Bottom Rail	3
BR		Drawer Right Bottom Rail	3
C		Top Panel	1
D		Side Panel Left	1
E		Side Panel Right	1

F		Center Panel Left	1
G		Center Panel Right	1
H		Door Panel	2
I		Middle Panel	2
J		Shelf Panel	2
K		Back Panel	1
L		Bottom Panel	1
M		Drawer Front	3
N		Drawer Side	6
O		Drawer Back	3
P		Drawer Bottom	3
Q		Handle	5
R		Leg	4
S		Middle Leg	1
T		Back Support	2

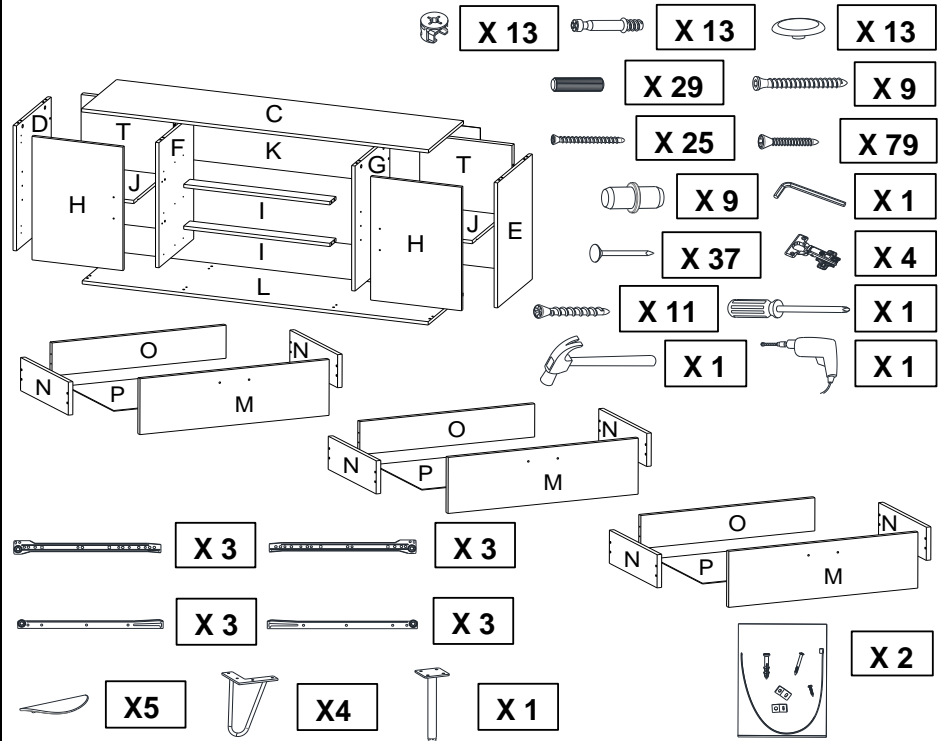
Hardware






Label	Picture	Description	QTY
①		Cam Lock	13
②		Cam Bolt	13
③		Cam Cap	13
④		Positioning Dowel (Ø8*30mm)	29
⑤		Cap Wood Screw (M6*50mm)	9
⑥		Screw (M4*38mm)	25
⑦		Screw (M3.5*18mm)	79
⑧		Shelf Support	9
⑨		Allen Key	1
⑩		Nail	37
⑪		Hinger	4
⑫		Screw (M4*25mm)	11
⑬		Screwdriver (not provided)	1
⑭		Hammer (not provided)	1

⑮		Power Drill (not provided)	1
Cabinet Restraint Device Hardware			
⑯		Metal Bracket	4
⑰		Wall Plug	2
⑱		Wall Plug Screw	2
⑲		Pan Head Screw	2
⑳		Cabinet Restraint Strap	2

Assembly Preparation

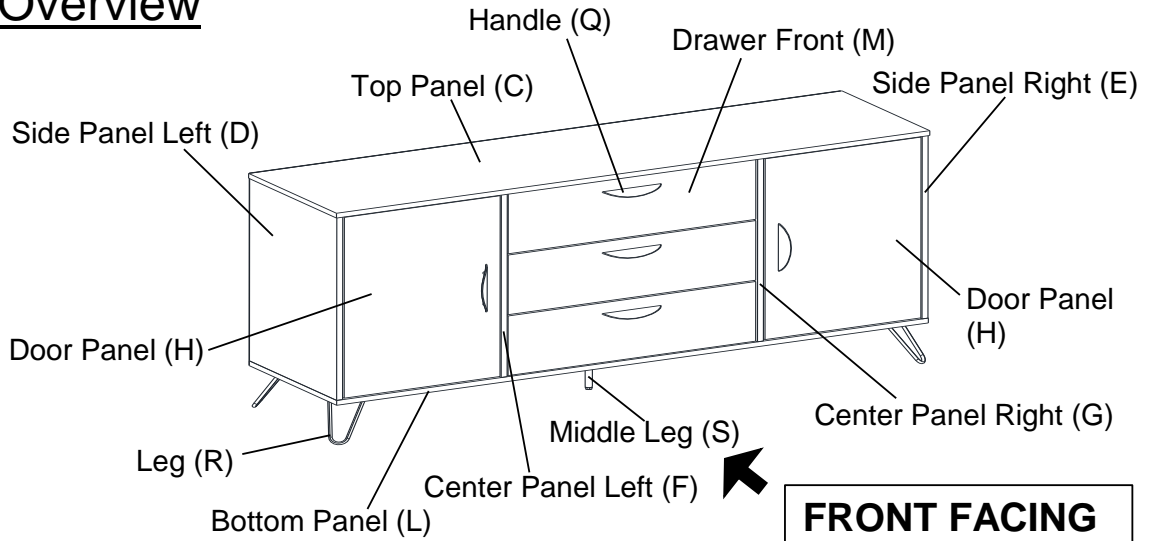
Before Beginning Assembly:



-  • Read instructions, cover to cover-
-  • Have 2 adults on hand for assembly-
-  • Do not assemble on flooring or carpet-
-  • Assemble on a clean non-marring surface (packing foam)-
-  • Save all packaging until finished-

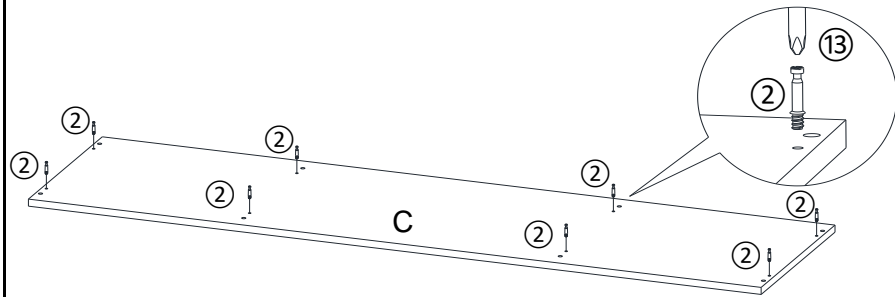
Assembly Steps

Overview

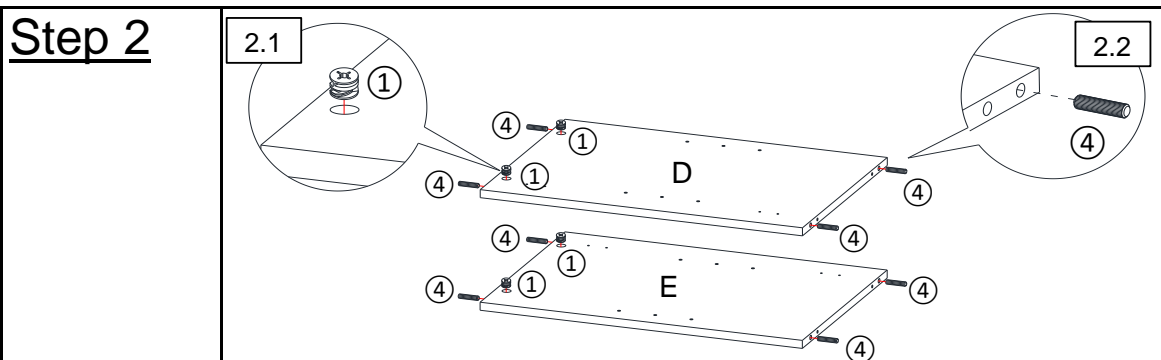


This Multi-Functional Cabinet has multiple parts and may require up to 60 minutes to assemble. To give you an overview of the Multi-Functional Cabinet parts, the above picture is to help you put the various parts into perspective. Please read through the instructions below to familiarise yourself with the parts and steps before assembly.

Step 1



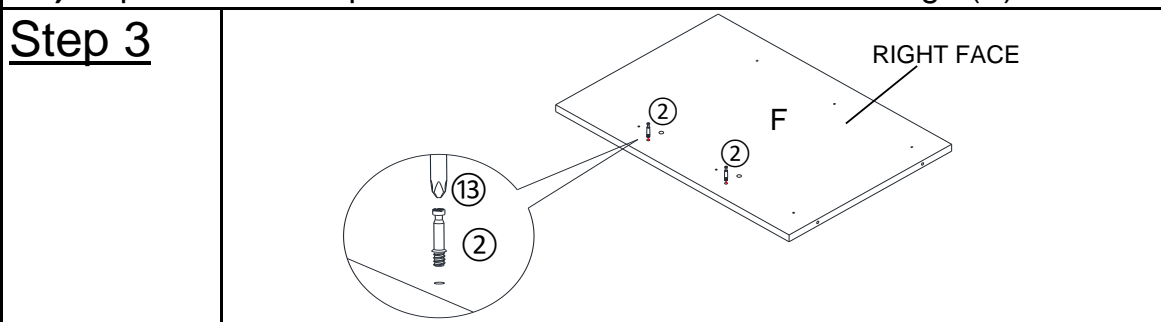
Unpack and place all parts on a clean, non-marring surface.
Attach Cam Bolts(②) to mounting positions on Top Panel(C) with Screwdriver(⑬).



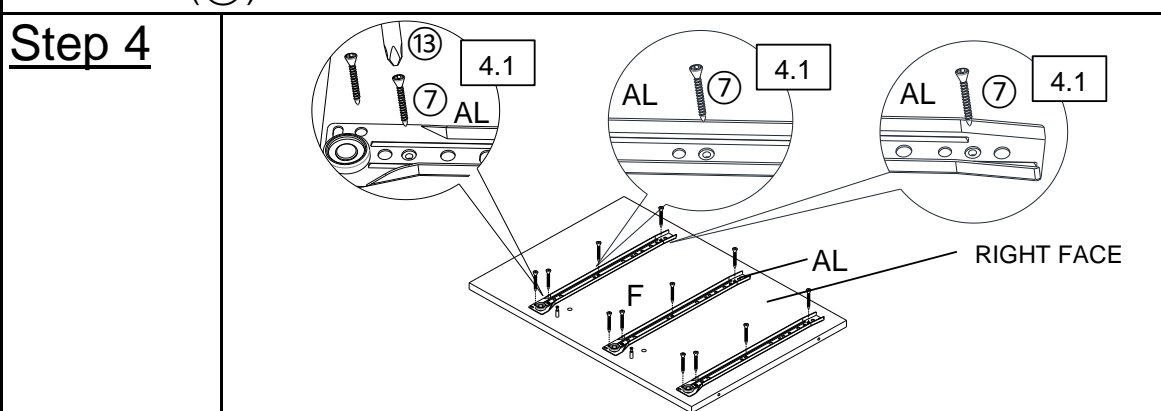
2.1) Insert Cam Locks(①) into mounting positions on Side Panel Left(D) by hand.

2.2) Insert Positioning Dowels(④) into mounting positions on Side Panel Left(D) by hand.

2.3) Repeat the same process on the another Side Panel Right(E)

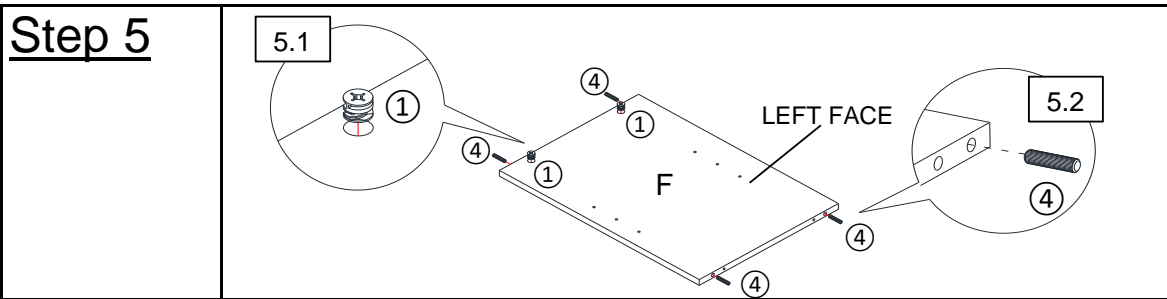


Attach Cam Bolts(②) to mounting positions on Center Panel Left(F) with Screwdriver(⑬).

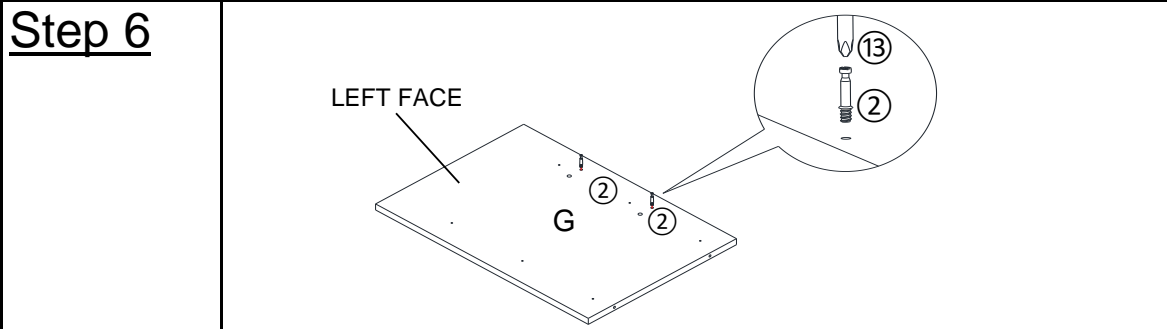


4.1) Attach Drawer Left Side Rail(AL) to Side Panel Left(F) using Screws(⑦) with Screwdriver(⑬) where indicated.

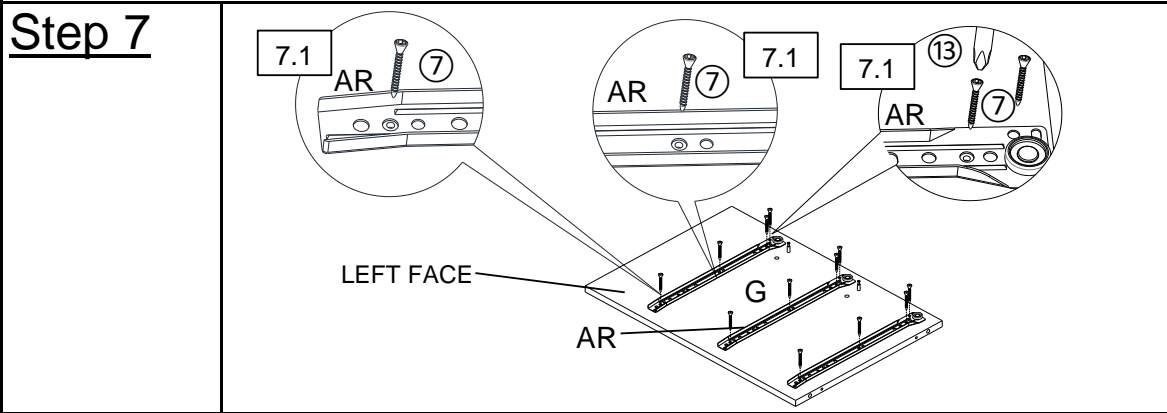
**Note: There are pre-existing mounting positions on the Center Panel Left(F) to attach the Drawer Left Side Rail(AL).
Tighten the Screws fully in a sequential manner.**



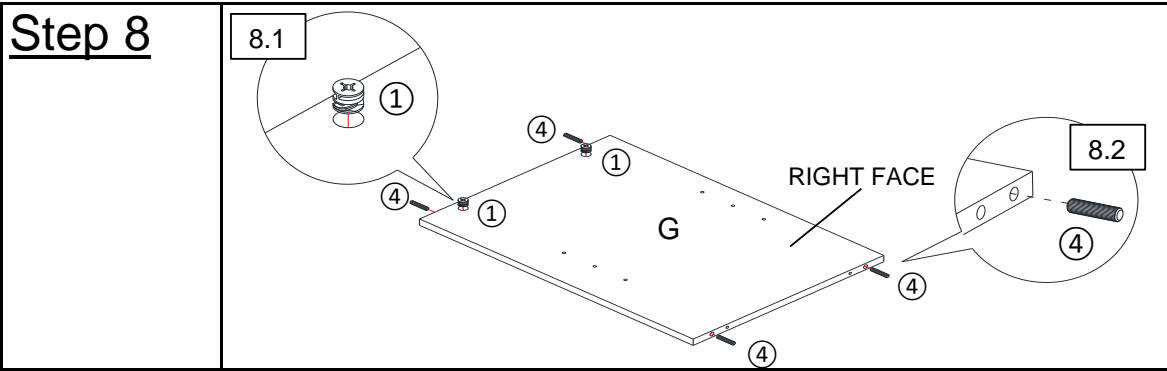
5.1) Insert Cam Locks(①) into mounting positions on Center Panel Left(F) by hand.
5.2) Insert Positioning Dowels(④) into mounting positions on Center Panel Left(F) by hand.



Insert Cam Bolts(②) into mounting positions on Center Panel Right(G) by hand.

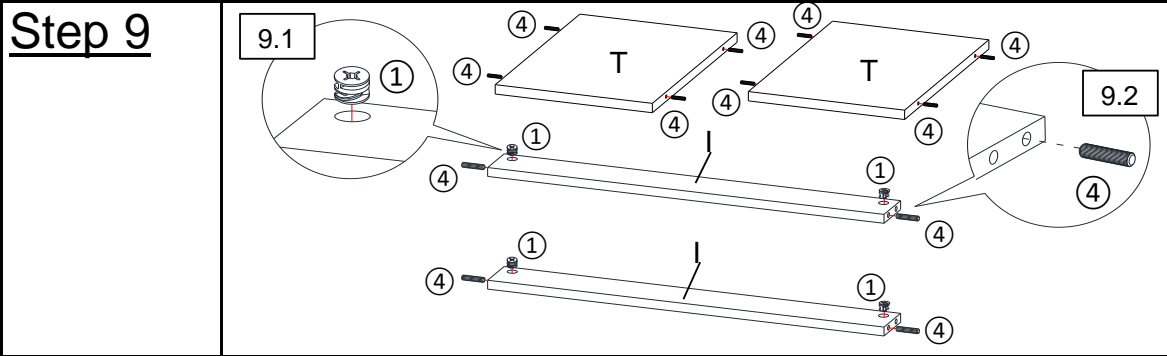


7.1) Attach Drawer Right Side Rail(AR) to Center Panel Right(G) using Screws(⑦) with Screwdriver(⑬) where indicated.
Note: There are pre-existing mounting positions on the Center Panel Right(G) to attach the Drawer Right Side Rail(AR).
Tighten the Screws fully in a sequential manner.



8.1) Insert Cam Locks(①) into mounting positions on Center Panel Right(G) by hand.

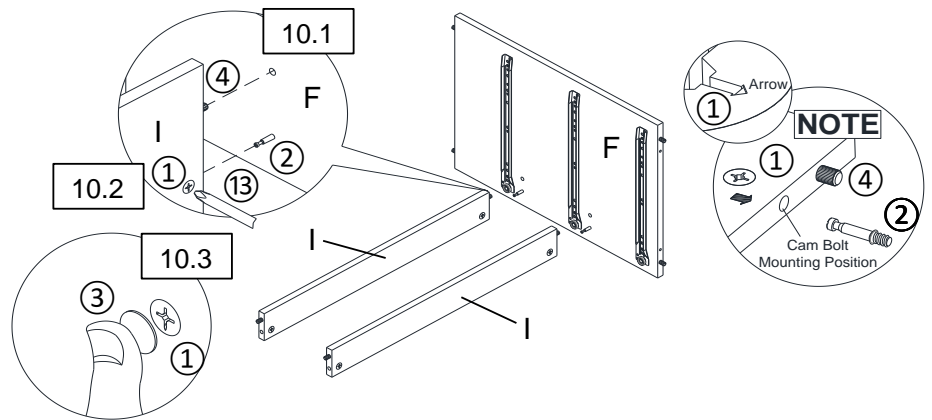
8.2) Insert Positioning Dowels(④) into mounting positions on Center Panel Right(G) by hand.



9.1) Insert Cam Locks(①) into mounting positions on Middle Panel(I) by hand.

9.2) Insert Positioning Dowels(④) into mounting positions on Middle

Step 10



10.1) Insert Positioning Dowels(④) from Middle Panel(I) into mounting positions on Center Panel Left(F).

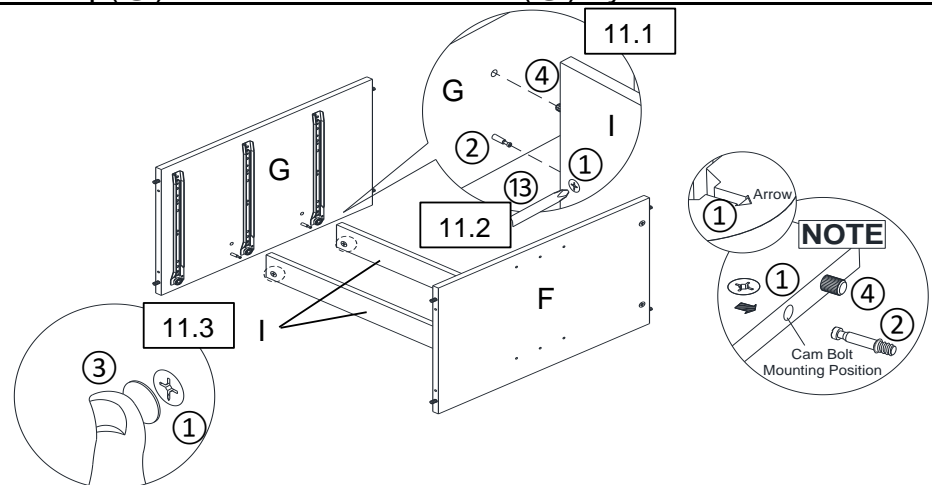
Note: Ensure the arrows on Cam Locks head points towards the Cam Bolt mounting positions.

10.1) Insert Cam Bolts(②) on Center Panel Left(F) into the mounting positions on Middle Panel(I).

10.2) Turn the Cam Locks(①) clockwise with the Screwdriver(⑬) until they all lock into place.

10.3) Insert Cam Cap(③) to cover the Cam Lock(①) by hand.

Step 11



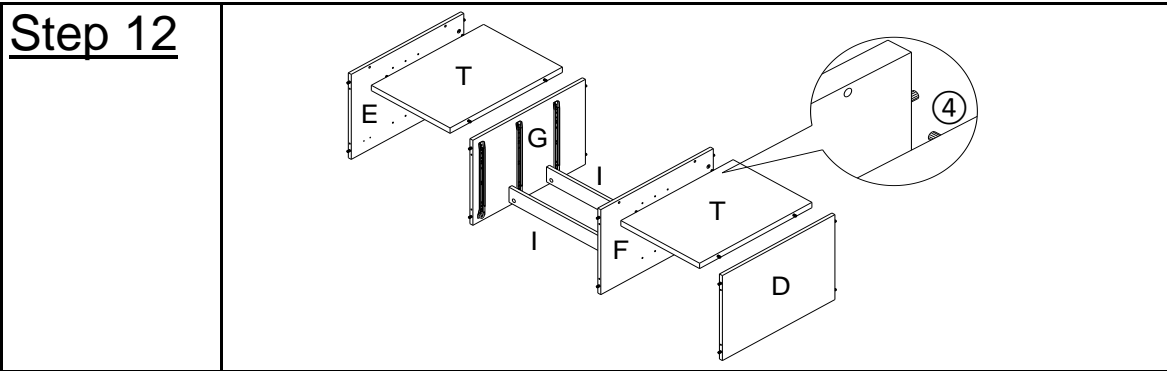
11.1) Insert Positioning Dowel(④) from Middle Panel(I) into mounting position on Center Panel Right(G).

Note: Ensure the arrow on Cam Lock head points towards the Cam Bolt mounting position.

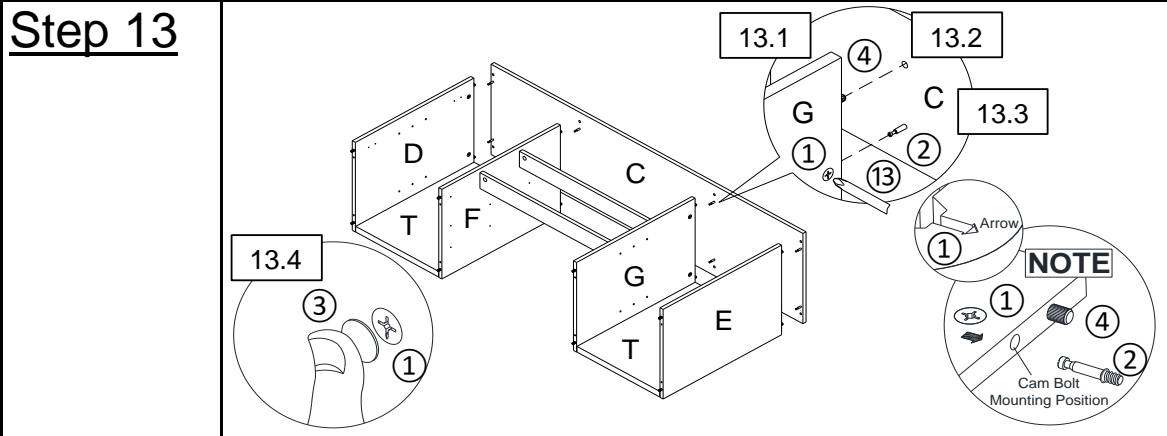
11.1) Insert the Cam Bolt(②) on Center Panel Right(G) into mounting position on side of Middle Panel(I).

11.2) Turn the Cam Lock(①) clockwise with the Screwdriver(⑬) until it locks into place.

11.3) Insert Cam Cap(③) to cover the Cam Lock(①) by hand.



Insert Positioning Dowels(④) from Back Support(T) into mounting position on Side Panel Left(D), Side Panel Right(E) Center Panel Left(F) and Center Panel Right(G).



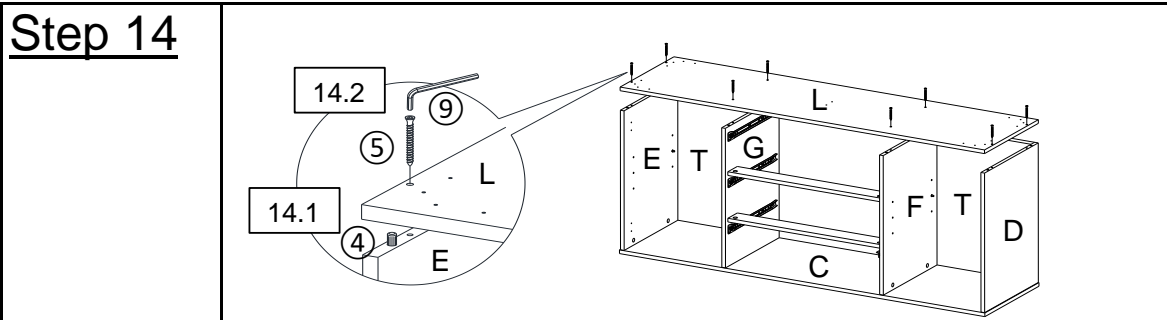
13.1) Insert Positioning Dowels(④) from Side Panel Left(D), Side Panel Right(E), Center Panel Left(F) and Center Panel Right(G) into mounting positions on Top Panel(C).

Note: Ensure the arrows on Cam Locks head points towards the Cam Bolt mounting positions.

13.2) Insert the Cam Bolts(②) on Top Panel(C) into mounting positions on Side Panel Left(D), Side Panel Right(E), Center Panel Left(F) and Center Panel Right(G).

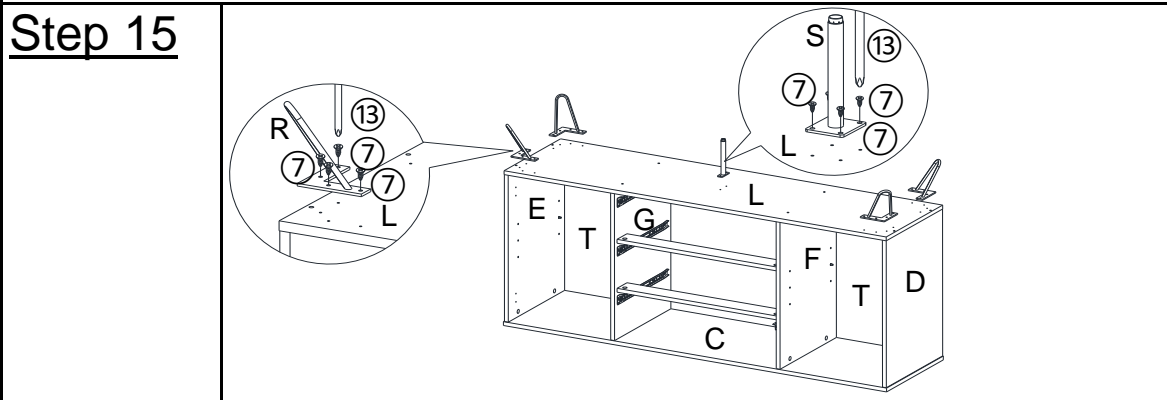
13.3) Turn the Cam Locks(①) with the Screwdriver(⑬) until they all lock into place.

13.4) Insert Cam Cap(③) to cover the Cam Lock(①) by hand.



14.1) Insert Positioning Dowels(④) from Side Panel Left(D),Side Panel Right(E),Center Panel Left (F) and Center Panel Right(G) into mounting positions on Bottom Panel(L).

14.2) Attach Bottom Panel(L) to Side Panel Left(D),Side Panel Right(E),Center Panel Left(F) and Center Panel Right(G) using Cap Wood Screws(⑤) with Allen Key(⑨).

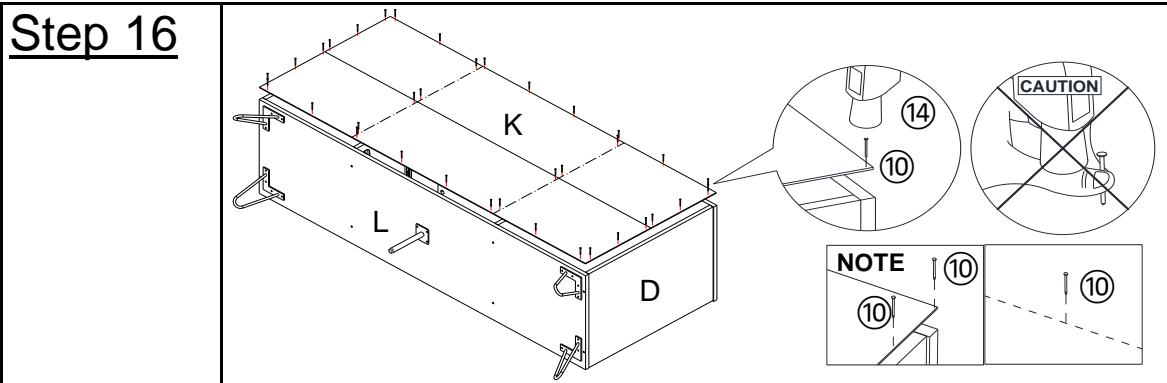


Attach Legs(R) and Middle Leg(S) to Bottom Panel(L) using Screws(⑦) with Screwdriver(⑬).

Tighten the Screws fully in a sequential manner.

Caution: Leg(R) should be facing outwards. Misassembly and reassembly may cause damage and instability to the product.

Note: There are pre-existing mounting positions on the Bottom Panel(L) to attach the Legs(R) and Middle Leg(S).

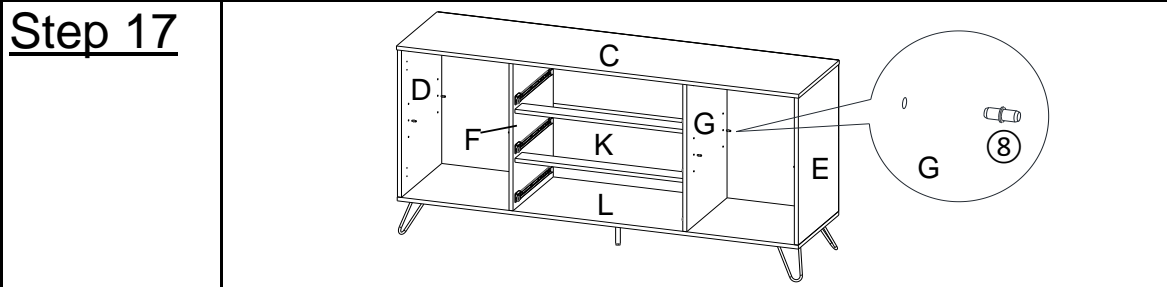


Attach Back Panel(K) to TV Cabinet Assembly using Nails(10) with Hammer(14).

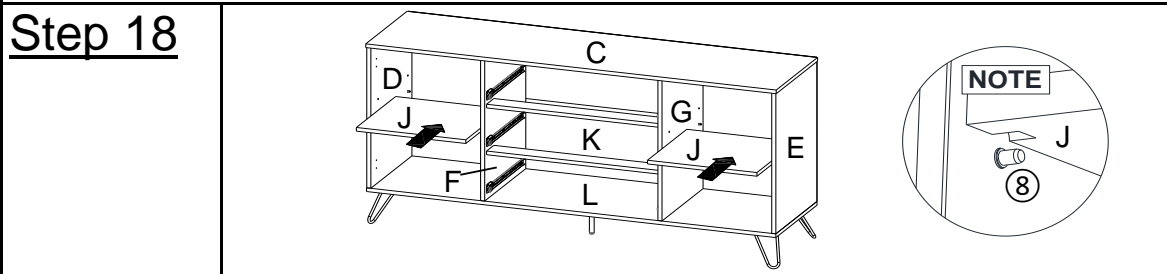
Note: Ensure all the Cam Lock(1) must be tighten after Attach the Back Panel(K).

Please be extra careful when using a hammer to avoid injury.

Note: Hit Nails(10) along all four edges (slightly inwards from sides) on the lines drawn on the Back Panel(K).

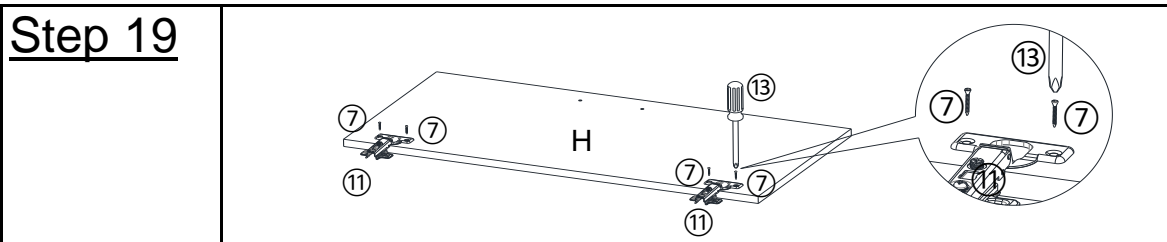


Insert Metal Shelf Support(8) into mounting positions on Side Panel Left(D), Side Panel Right(E), Center Panel Left(F) and Center Panel Right(G) By hand.

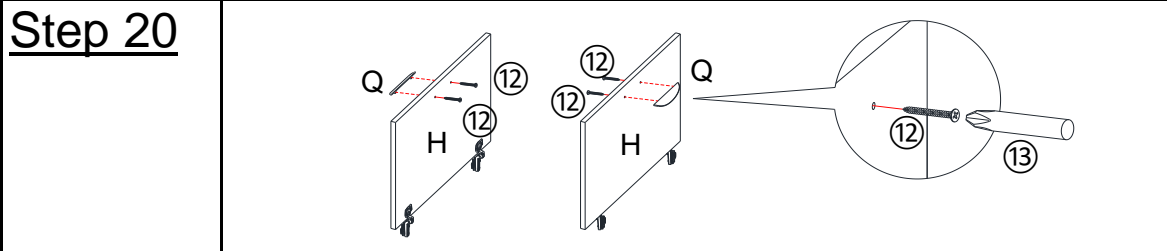


Put Shelf Panel(J) in place on Shelf Supports(8).

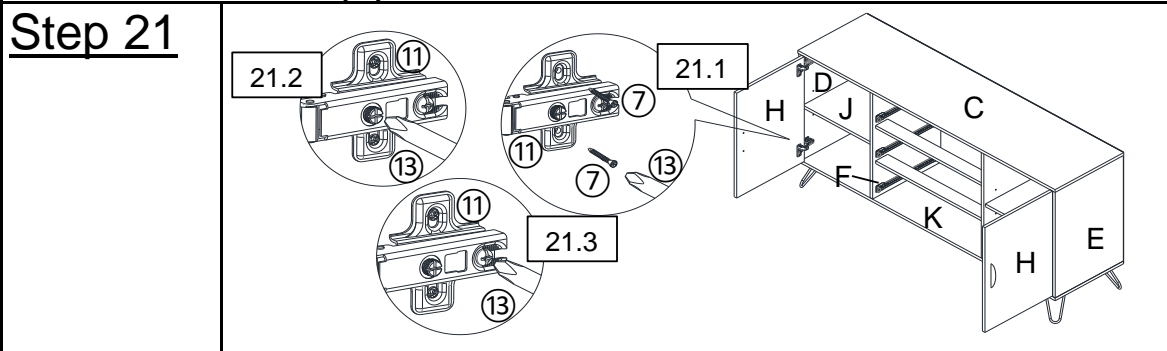
Note: There are lead mounting positions on Shelf Panels (J) to fit Metal Shelf Supports (8).



Attach Hinger(11) to Door Panel(H) using Screws(7) with Screwdriver(13).
Tighten the Screws fully in a sequential manner.
Note: There are pre-existing mounting positions on the Door Panel(H) to attach the Hinger(11).

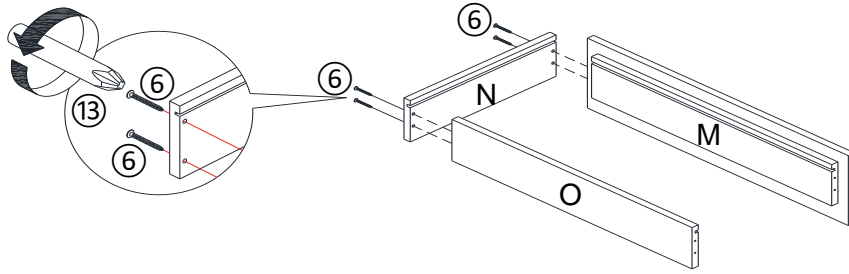


Attach Handle(Q) to Door Panel(H) using Screws(12) with Screwdriver(13).
Tighten the Screws fully in a sequential manner.
Note: There are pre-existing mounting positions on the Door Panel(H) to attach the Handle(Q).



21.1) Attach Hinger(11) to Side Panel Left(D) and Side Panel Right(E) using Screws(7) with Screwdriver(13).
 Tighten the Screws fully in a sequential manner.
21.2) Rotate first screw on Hinger(11) to adjust left-right position of Door Panels(H) when necessary.
21.3) Rotate second screw on Hinger(11) to adjust in-out position of Door Panels(H) when necessary.
Note: There are pre-existing mounting positions on the Side Panel Left(D) and Side Panel Right(E) to attach the Hinger(11).

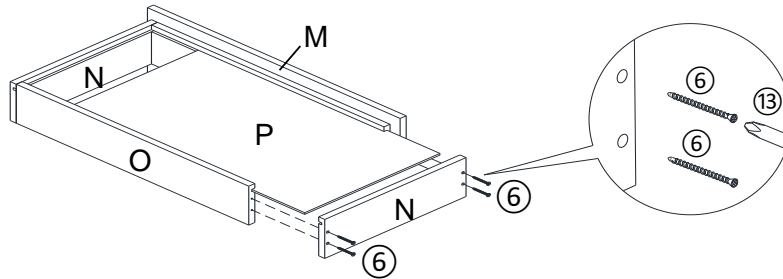
Step 22



Attach Drawer Side Panels(N) to Drawer Front Panel(M) and Drawer Back Panel(O) using Screws(6)with Screwdriver(13).

Tighten the Screws fully in a sequential manner.

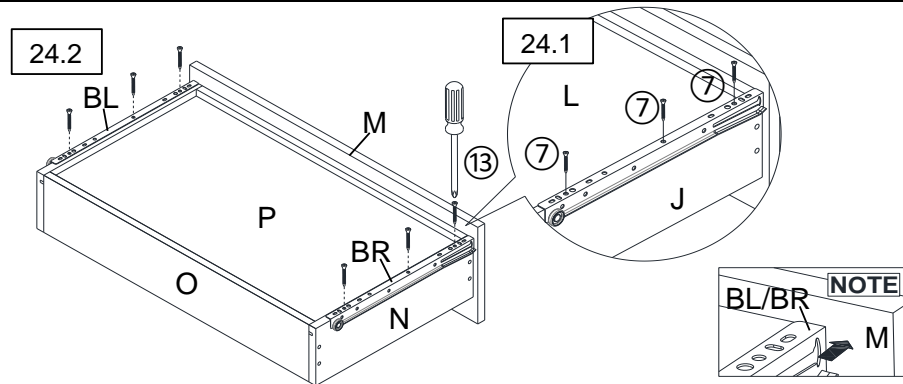
Step 23



Attach Drawer Bottom Panel(P) to Drawer Assembly, attach Drawer Side Panels(N) to Drawer Front Panel(M) and Drawer Back Panel(O) using Screws(6) with Screwdriver(13).

Tighten the Screws fully in a sequential manner.

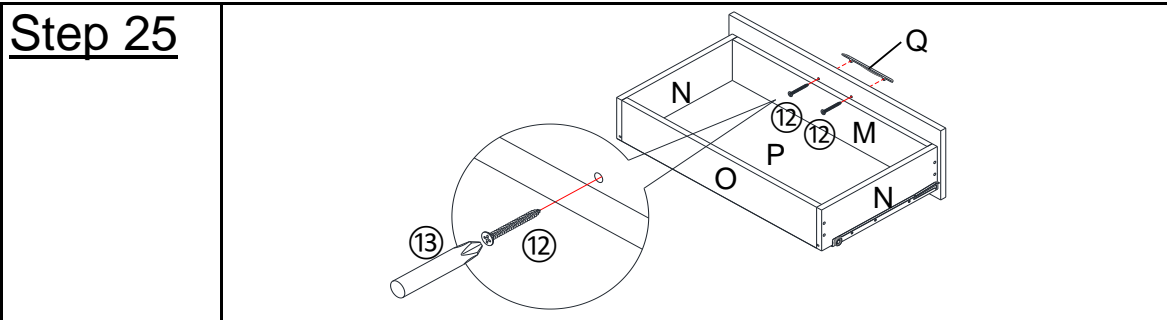
Step 24



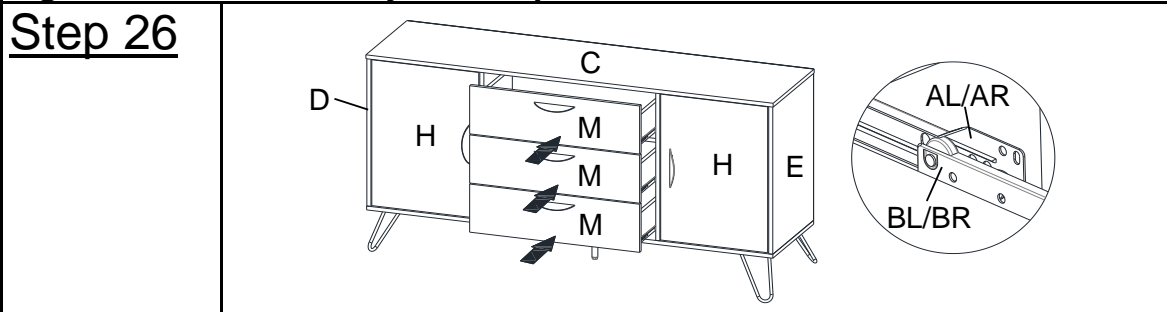
24.1) Attach Drawer Right Bottom Rail(BR) to Drawer Bottom Panel(P) using Screws(7) with Screwdriver(13) where indicated.

24.2) Repeat the same process on the Drawer Left Bottom Rail(BL).

Tighten the Screws fully in a sequential manner.



Attach Handle(Q) to Drawer Front Panel(M) using Screws(12) with Screwdriver(13).
Tighten the Screws fully in a sequential manner.



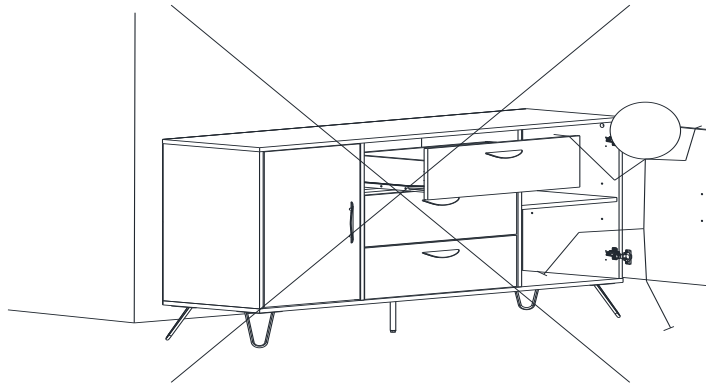
Put Drawer Assembly in place by aligning the rails.

Cabinet Restraint Device Installation Instructions

WARNING

Serious or fatal crushing injuries can occur from tipping furniture.
To help prevent tip-over: ALWAYS secure this furniture to the wall using Cabinet Restraint Device.

See product instructions for more ways to help prevent furniture tip-over.

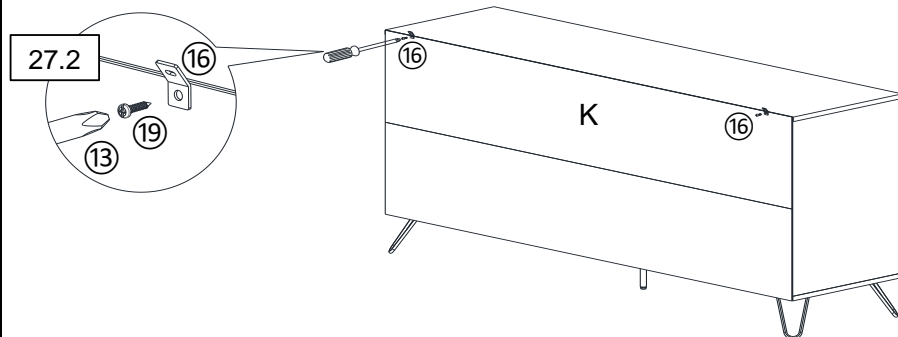


Usage For Cabinet Restraint Device:

To secure Cabinet against wall, attach two Metal Brackets(16) on wall and product, use Cabinet Restraint Strap(20) to connect the Metal Brackets(16).

Instructions:

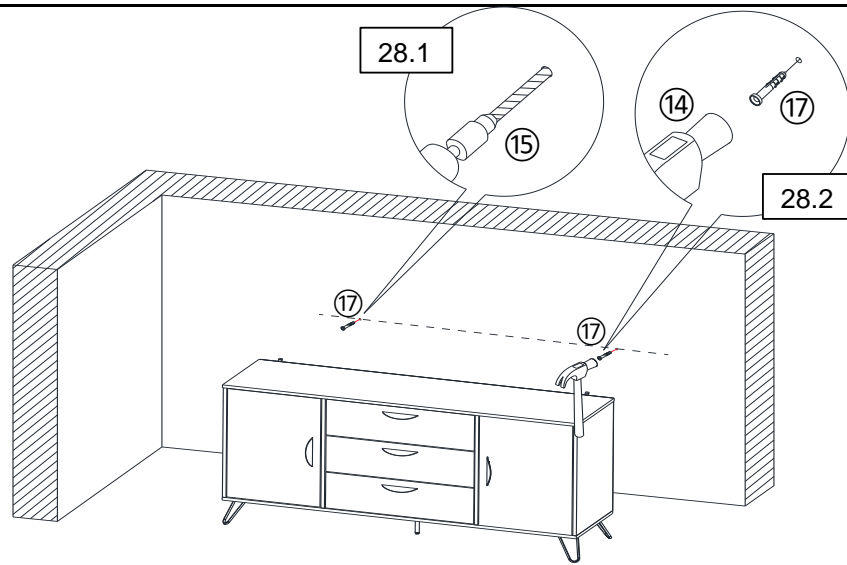
Step 27



27.1) Turn the Cabinet so the back side faces you.

27.2) Attach Metal Brackets(16) to Back Panel(K), where labeled, using Pan Head Screws(19) with Screwdriver(13).

Step 28



28.1) Drill two holes on wall at same height as Metal Brackets(16) on Cabinet with Power Drill(15).

You can mark these points in two ways as below:

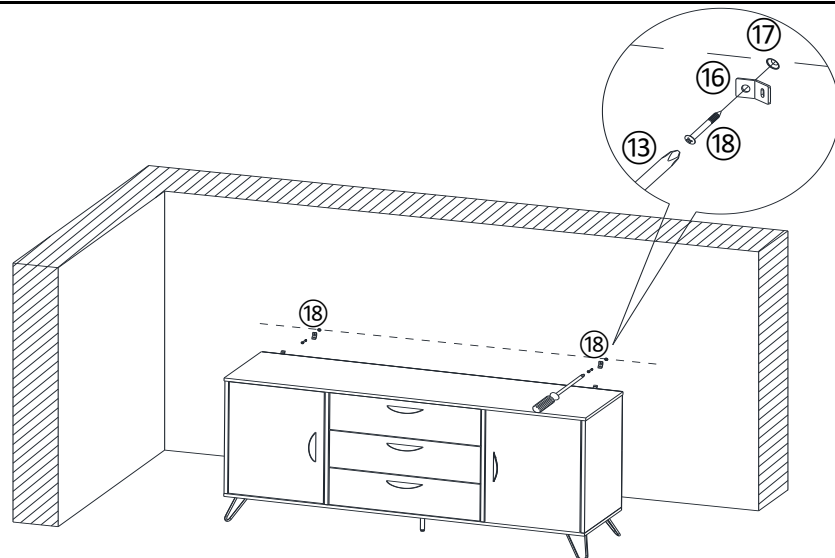
1) Move the Cabinet back to the wall. Mark two points same height as Cabinet on the wall.

Note: The Metal Brackets need to be secured to solid, load bearing surface. Please use a Stud Finder(not supplied) if needed to locate the Wall Frame.

2) Measure the height of the Metal Brackets(16) with ruler/measuring tape and mark on wall to keep them accurate and same height.

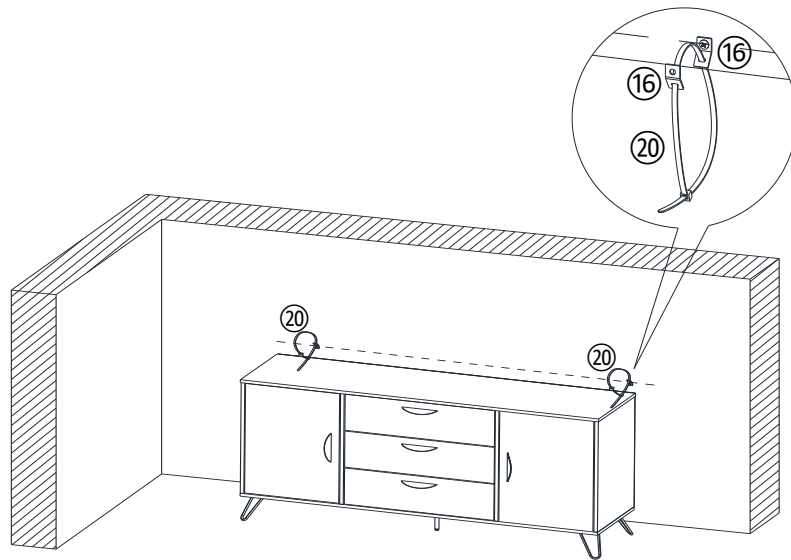
28.2) Insert Wall Plugs(17) into drilled holes on wall with Hammer(14).

Step 29



Attach Metal Brackets(16) to Wall Plugs(17) using Wall Plug Screws(18) with Screwdriver(13).

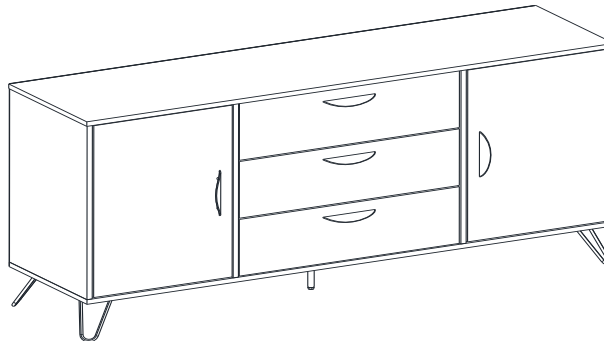
Step 30



Move Cabinet to the wall.

Pull the Restraint Straps(20) through the Metal Brackets(16) on the wall and Cabinet one by one, and pull the Restraint Straps(20) tight.












Step 31



Your Cabinet is ready for use.

This Cabinet can only be used on a flat, level surface.

Care & Maintenance

- ✓  • Furniture may scratch floors. We recommend using furniture pads to protect your floors.
- ⊘  • Do not put hot items directly on furniture surface.
- ⊘  • Do not clean furniture with harsh cleansers or polish.
- ⊘  • Do not place furniture under direct sunlight.
- ⊘  • Do not place furniture near heating or cooling vents.
- ⊘  • Do not write on furniture without a padded barrier to protect the surface.
- ⊘  • Do not place furniture outside . For indoor use only.
- ⊘  • Not for commercial use. For residential use only.
- ⊘  • Stains may be removed with mild soap solution and damp cloth.
- ⊘  • Children should not climb or jump on the furniture.
- ✓  • Dust and pick-up spills using a clean, non-colored, lint-free cloth.