

WARNING!!

Furniture Tipping Risk.

Serious risk of severe or fatal crush injuries can occur from furniture tipping over if not secured.

Children like to climb on furniture and Unsecured furniture can pose a serious danger.

Please follow all instructions and install the tip-over restraints provided.

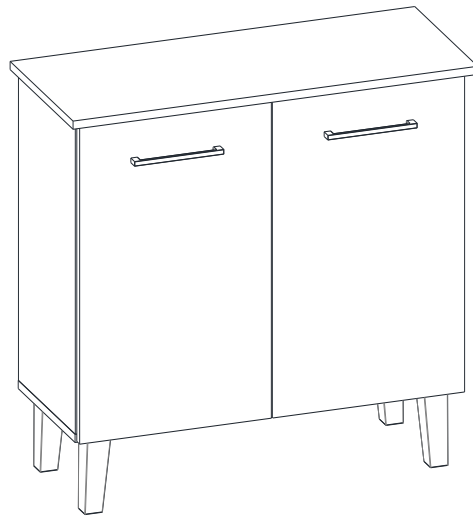
In addition to installing the restraints, to help prevent tip-over:

- 1. Unless specifically designed to accommodate, do not set TV's or other heavy objects on top of this product.**
- 2. Never allow children to climb or hang on the shelves.**
- 3. Do not step on the Table base.**

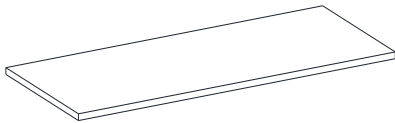

Assembly Instructions


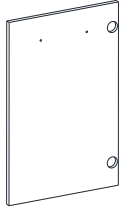
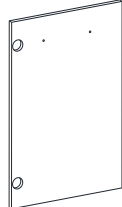
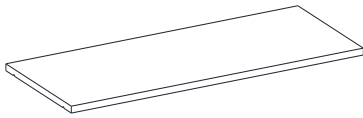
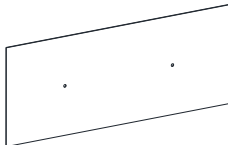
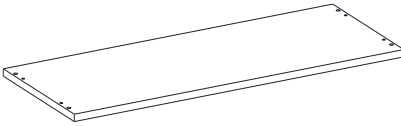


Caution : You must read this before you proceed

SHOE CABINET







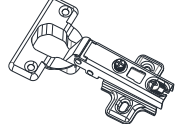






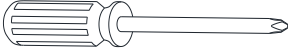

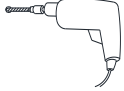





Parts List

Label	Picture	Description	QTY
A		Top Panel	1
B		Left Side Panel	1

C		Right Side Panel	1
D		Door Panel (L)	1
E		Door Panel (R)	1
F		Shelf Panel	2
G		Back Panel	2
H		Bottom Panel	1
I		Handle	2
J		Leg	4

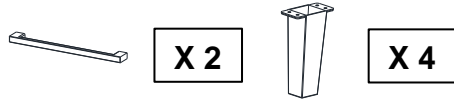
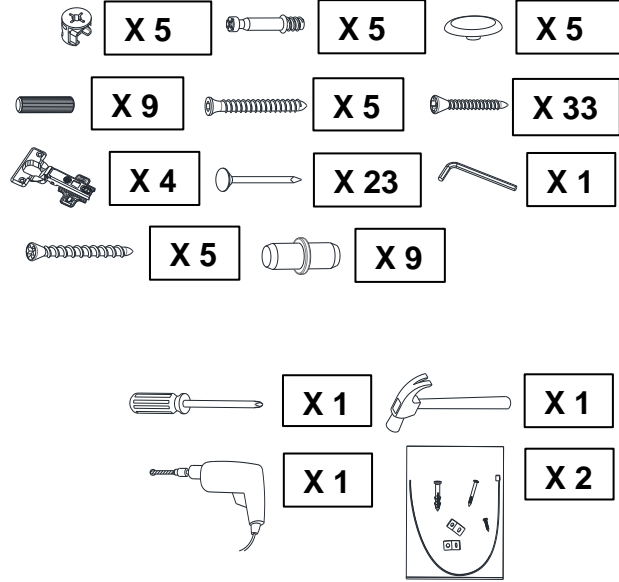
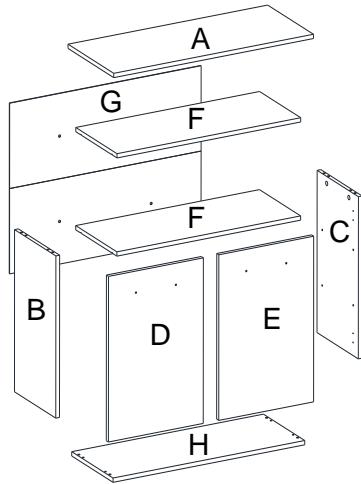
Hardware

Label	Picture	Description	QTY
①		Cam Lock	5
②		Cam Bolt	5
③		Cam Cap	5
④		Positioning Dowel (Ø 8*30mm)	9
⑤		Cap Wood Screw (M6*50mm)	5
⑥		Screw (3.5*16mm)	33
⑦		Connector	4
⑧		Nail	23
⑨		Allen Key	1
⑩		Screw (M4*32mm)	5

⑪		Shelf Support	9
⑮		Screwdriver (not provided)	1
⑯		Hammer (not provided)	1
⑰		Power Drill (not provided)	1
Cabinet Restraint Device Hardware			
⑱		Metal Bracket	4
⑲		Wall Plug	2
⑳		Wall Plug Screw	2
㉑		Pan Head Screw	2
㉒		Cabinet Restraint Strap	2

Assembly Preparation

Before Beginning Assembly:



- Read instructions, cover to cover-



- Have 2 adults on hand for assembly-



- Do not assemble on flooring or carpet-

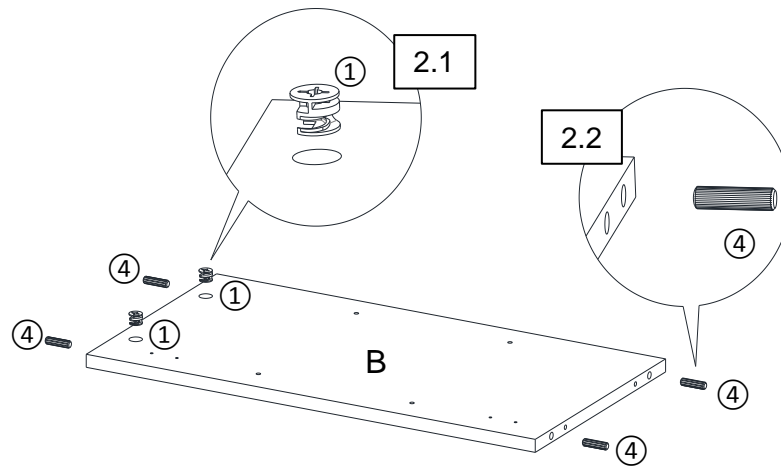


- Assemble on a clean non-marring surface (packing foam)-



- Save all packaging until finished-

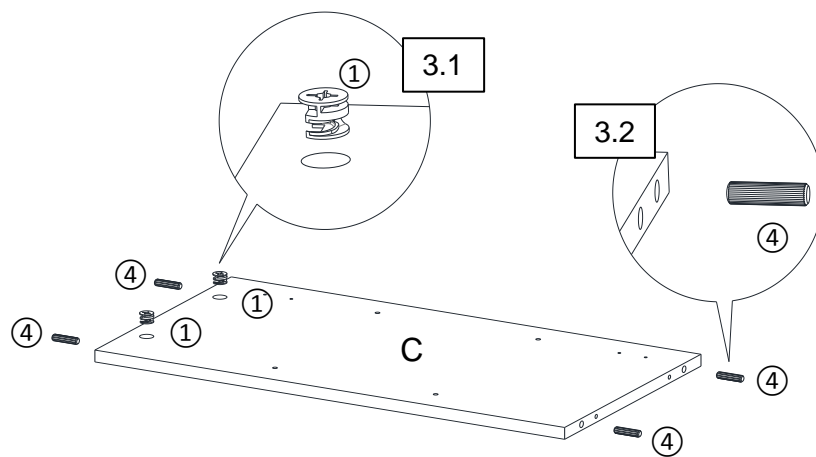
Step 2



2.1) Insert Cam Locks(①) into mounting positions on Left Side Panel(B) by hand.

2.2) Insert Positioning Dowels(④) into mounting positions on Left Side Panel(B) by hand.

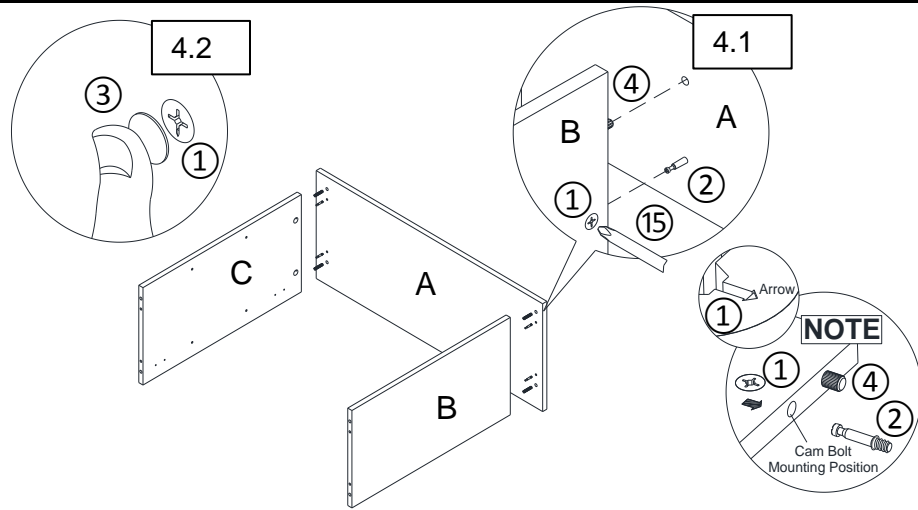
Step 3



3.1) Insert Cam Locks(①) into mounting positions on Right Side Panel(C) by hand.

3.2) Insert Positioning Dowels(④) into mounting positions on Right Side Panel(C) by hand.

Step 4



4.1) Insert Positioning Dowels(④) of Left Side Panel(B) and Right Side Panel(C) into mounting positions on Top Panel(A).

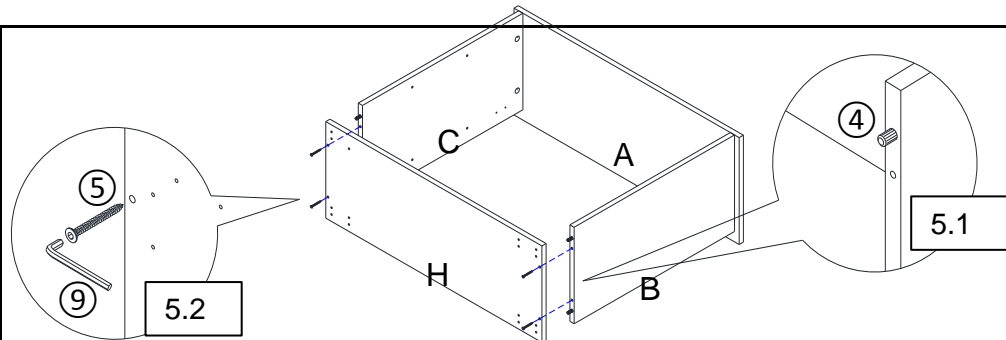
Note: Ensure the arrows on Cam Lock heads point towards the Cam Bolt mounting positions.

Insert the Cam Bolts(②) on Top Panel(A) into mounting positions on side of Left Side Panel(B) and Right Side Panel(C).

Turn the Cam Locks(①) clockwise with the Screwdriver(⑮) until they all lock into place.

4.2) Cover Cam Locks(①) with Cam Caps(③).

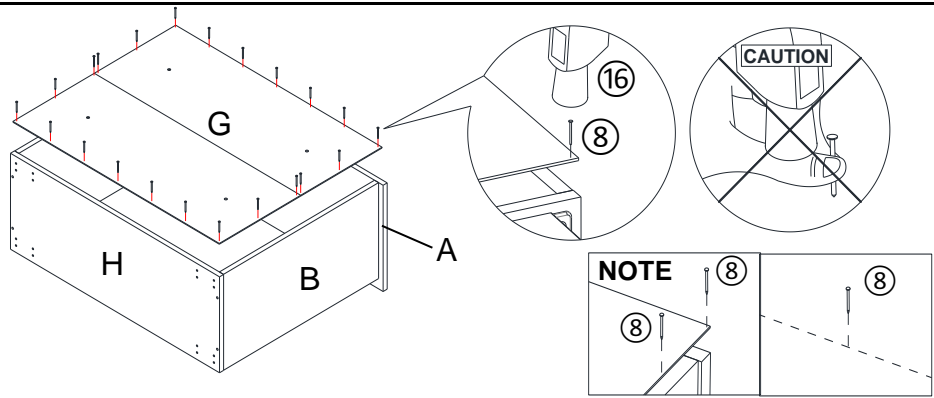
Step 5



5.1) Insert Positioning Dowels(④) from Left Side Panel(B) and Right Side Panel(C) into mounting positions on Bottom Panel(H).

5.2) Attach Bottom Panel(H) to Shoe Cabinet Assembly using Cap Wood Screws(⑤) with Allen Key(⑨).

Step 6

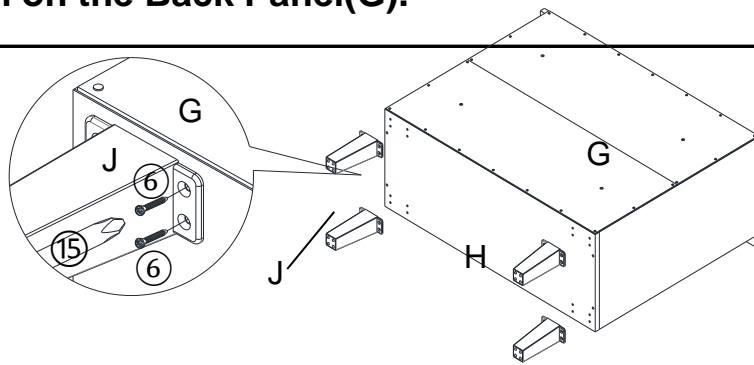


Attach Back Panel(G) to Shoe Cabinet Assembly using Nails(⑧) with Hammer(⑯).

Please be extra careful when using Hammer to avoid injury.

Note: Hit Nails along all four edges (slightly inwards from sides) on the lines drawn on the Back Panel(G).

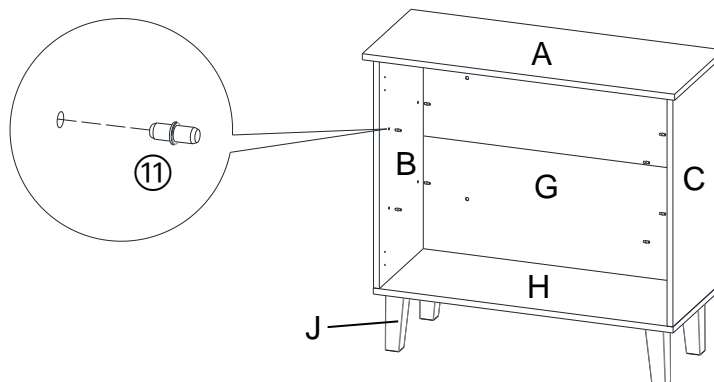
Step 7



Attach Legs(J) to Bottom Panel(H) using Screws(⑥) with Screwdriver(⑮).

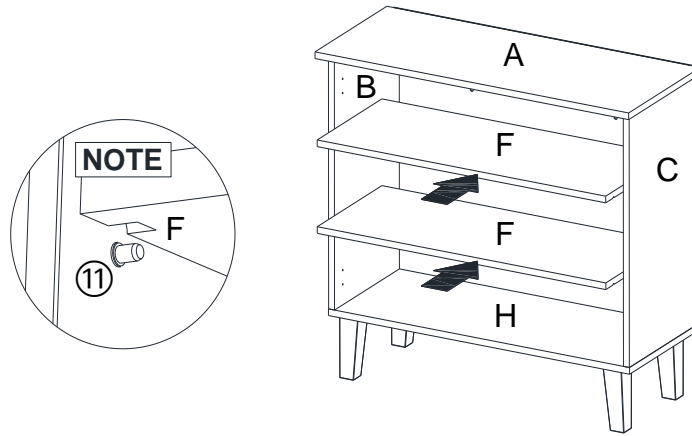
Note: There are pre-existing mounting positions on the Bottom Panel(H) to attach the Legs(J).

Step 8



Insert Metal Shelf Supports(⑪) into mounting positions on Left Side Panel(B), Right Side Panel(C) by hand.

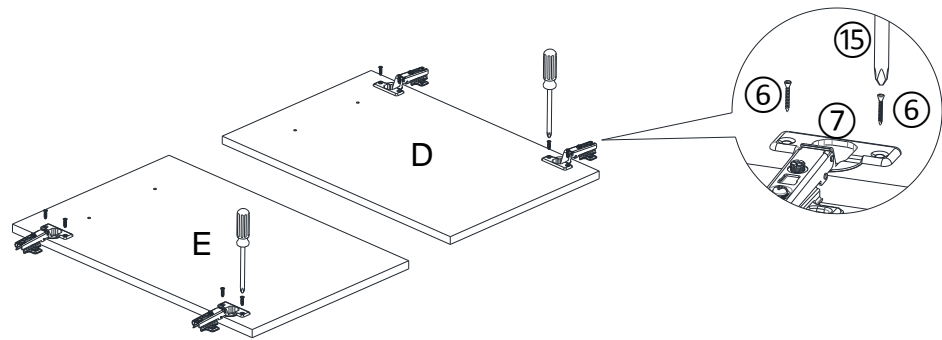
Step 9



Put Shelf Panels(F) in place on Metal Shelf Supports(11).

Note: There are lead mounting positions on Shelf Panels(F) to fit Metal Shelf Supports(11).

Step 10

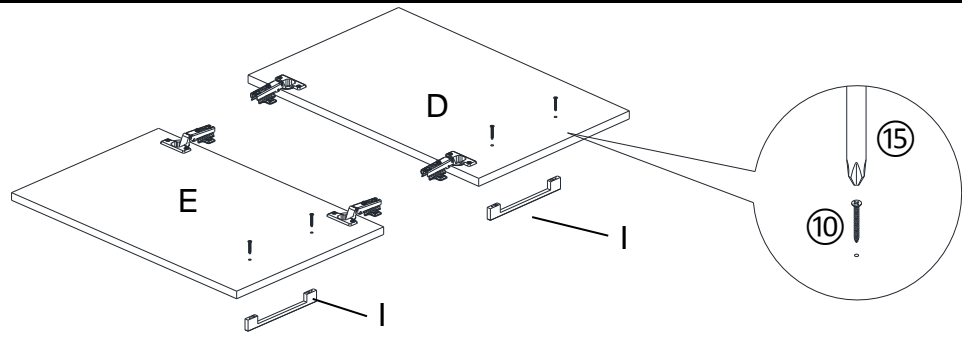


Attach Connectors(7) to Left Door Panel(D) and Right Door Panel(E) using Screws(6) with Screwdriver(15).

Tighten the Screws fully in a sequential manner.

Note: There are pre-existing mounting positions on the Left Door Panel and Right Door Panel to attach the Connectors.

Step 11

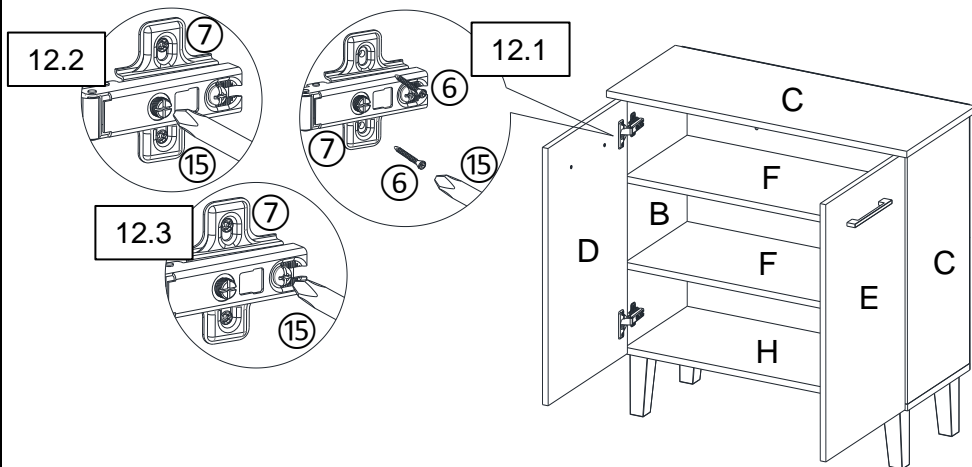


Attach Handles(I) to Left Door Panel(D) and Right Door Panel(E) using Screws(10) with Screwdriver(15).

Tighten the Screws fully in a sequential manner.

Note: There are pre-existing mounting positions on the Left Door Panel and Right Door Panel to attach the Handles.

Step 12



12.1) Attach Connectors(7) to Left Side Panel(B) and Right Side Panel(C) using Screws(6) with Screwdriver(15).

Tighten the Screws fully in a sequential manner.

12.2) Rotate first screw on Connectors(7) to adjust left-right position of Left Door Panel(D) and Right Door Panel(E) when necessary.

12.3) Rotate second screw on Connectors(7) to adjust in-out position of Left Door Panel(D) and Right Door Panel(E) when necessary.

Note: There are pre-existing mounting positions on the Left Side Panel and Right Side Panel to attach the Connectors.

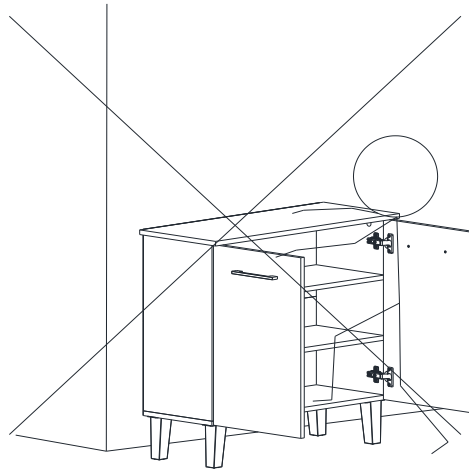
Cabinet Restraint Device Installation Instructions



WARNING

Serious or fatal crushing injuries can occur from tipping furniture.
To help prevent tip-over: **ALWAYS** secure this furniture to the wall using Cabinet Restraint Device.

See product instructions for more ways to help prevent furniture tip-over.

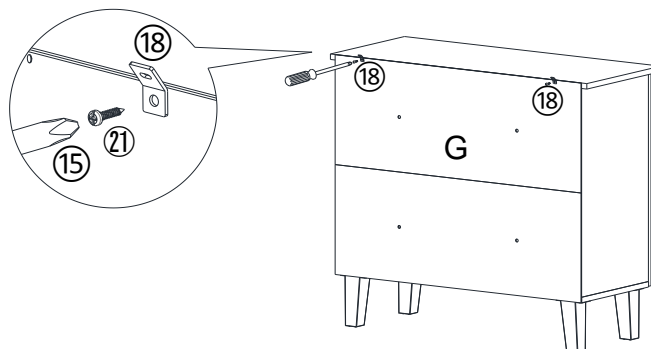


Usage For Cabinet Restraint Device:

To Secure Shoe Cabinet against wall, attach Metal Brackets(18) to wall and product, and use Cabinet Restraint Straps(22) to connect the Metal Brackets(18).

Instructions:

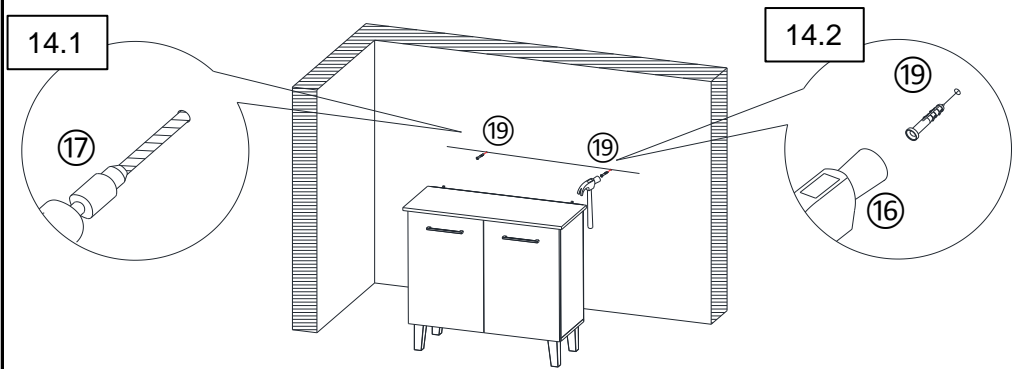
Step 13



13.1) Turn the Shoe Cabinet so the back side faces you.

13.2) Attach Metal Brackets(18) to Back Panel(G), where labeled, using Pan Head Screws(21) with Screwdriver(15).

Step 14



14.1) Drill two holes on wall at same height as Metal Brackets(18) on Shoe Cabinet with Power Drill(17).

You can mark these points in two ways as below:

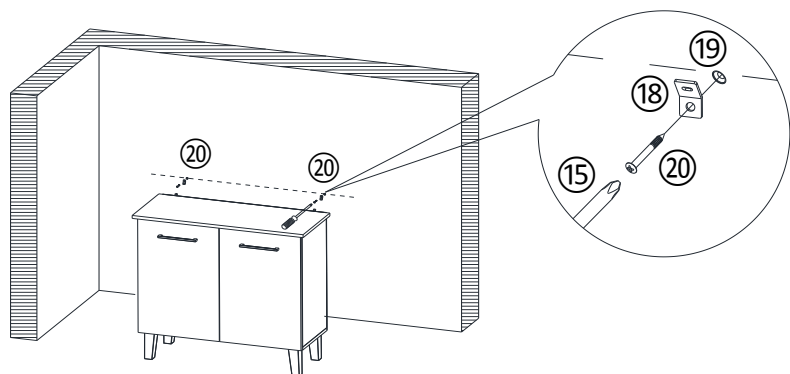
1) Move the Shoe Cabinet back to the wall. Mark two points the same height as the Shoe Cabinet on the wall.

Note: The Metal Brackets need to be secured to a solid, load bearing surface. Please use a Stud Finder(not supplied) if needed to locate the Wall Frame.

2) Measure the height of the Metal Brackets(18) with ruler/measuring tape and mark on wall to keep them accurate and the same height.

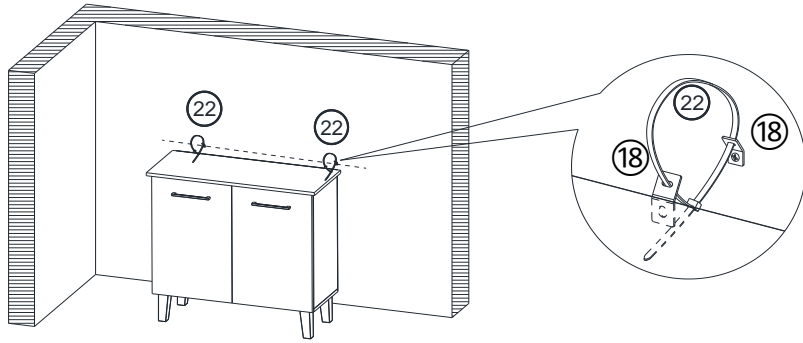
14.2) Insert Wall Plugs(19) into holes on wall with Hammer(16).

Step 15



Attach Metal Brackets(18) to Wall Plugs(19) using Wall Plug Screws(20) with Screwdriver(15).

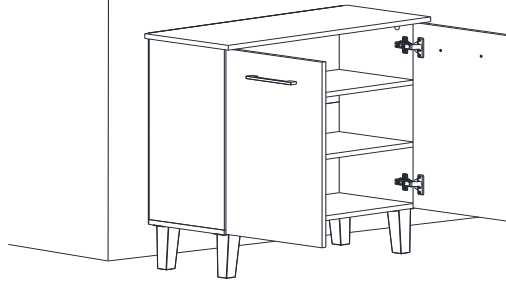
Step 16



Move the Shoe Cabinet back against wall.

Pull the Restraint Straps(22) through the Metal Brackets(18) on the wall and Shoe Cabinet one by one, and pull the Restraint Straps(22) tight.


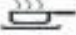

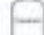














Step 17



Your Shoe Cabinet is ready for use.

This Shoe Cabinet can only be used on a flat, level surface.

Care & Maintenance

-   ● Do not put hot items directly on furniture surface
 -   ● Do not clean furniture with harsh cleansers or polish.
 -   ● To obtain the longest lifespan of your outdoor products, minimizing exposure to direct sunlight is recommended.
 -   ● Children should not climb or jump on the furniture.
 -   ● Do not write on furniture without a padded barrier to protect the surface.
 -   ● To obtain the longest lifespan of your outdoor products, avoid extended and lengthy exposure to rain, snow, and direct sunshine. Whenever possible cover the product and /or place under patio or awnings.
 -   ● Not for commercial use. For residential use only .
 -   ● Stains may be removed with mild soap solution and damp cloth.
-
-   ● Dust and pick-up spills using a clean, non-colored, lint-free cloth .

Questions & Answers about Proposition 65

• What is Proposition 65?

Proposition 65 requires businesses to provide warnings to Californians about significant exposures to chemicals that cause cancer, birth defects or other reproductive harm. These chemicals can be in the products that Californians purchase, in their homes or workplaces, or that are released into the environment. By requiring that this information be provided, Proposition 65 enables Californians to make informed decisions about their exposures to these chemicals.

Proposition 65 also prohibits California businesses from knowingly discharging significant amounts of listed chemicals into sources of drinking water.

Proposition 65 requires California to publish a list of chemicals known to cause cancer, birth defects or other reproductive harm. This list, which must be updated at least once a year, has grown to include approximately 900 chemicals since it was first published in 1987.

• What types of chemicals are on the Proposition 65 list?

The list contains a wide range of naturally occurring and synthetic chemicals that include additives or ingredients in pesticides, common household products, food, drugs, dyes, or solvents. Listed chemicals may also be used in manufacturing and construction, or they may be byproducts of chemical processes, such as motor vehicle exhaust.

• What does a warning mean?

If a warning is placed on a product label or posted or distributed at a workplace, a business, or in rental housing, the business issuing the warning is aware or believes that it is exposing individuals to one or more listed chemicals.

By law, a warning must be given for listed chemicals unless the exposure is low enough to pose no significant risk of cancer or is significantly below levels observed to cause birth defects or other reproductive harm.

• Where can I get more information on Proposition 65?

If you have specific questions on the administration or implementation of Proposition 65, you can contact OEHHA's Proposition 65 program at P65.Questions@oehha.ca.gov, or by phone at (916) 445-6900.