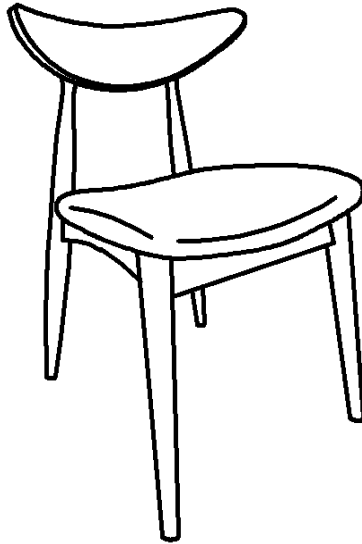


Assembly Instructions

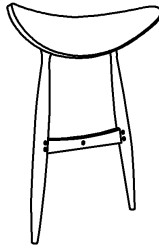
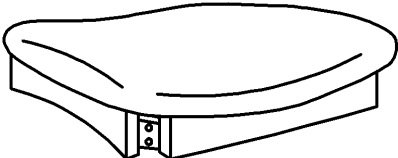
Caution : You must read this before you proceed

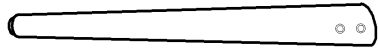
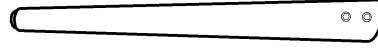
CHAIR









WARNING: These Chairs are intended only for normal use with all four Chair legs on the ground. These Chairs have relatively thin legs and are not designed to be sat in with only two legs on the ground (as from tipping back, forward, or to the side), as such usage can cause stress and failure of one or more Chair legs. Any misuse of the Chairs voids any warranties, expressed or implied.

Parts List

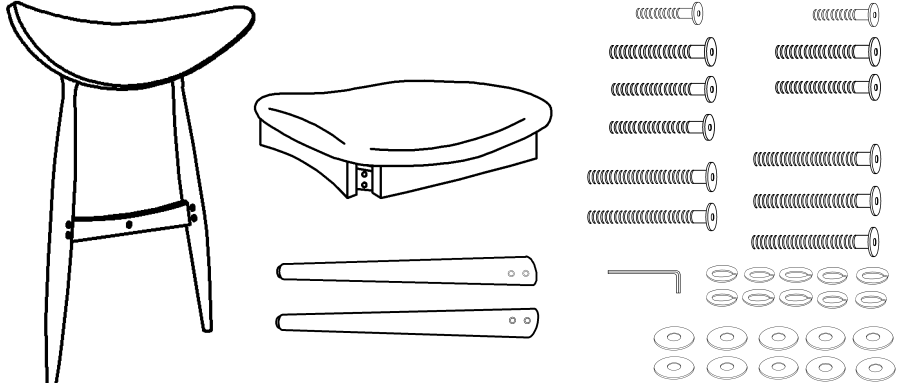
Label	Picture	Description	QTY
A		Back Rest	1
B		Chair Seat	1

C		Front Leg (L)	1
D		Front Leg (R)	1

Hardware

Label	Picture	Description	QTY
①		Bolt (M6 x 35mm)	2
②		Bolt (M6 x 70mm)	5
③		Bolt (M6 x 80mm)	5
④		Spring Washer	10
⑤		Washer	10
⑥		Allen Key	1

Assembly Preparation

<p>Before Beginning Assembly:</p>	
-----------------------------------	--



- Read instructions, cover to cover-



- Have 2 adults on hand for assembly-



- Do not assemble on flooring or carpet-



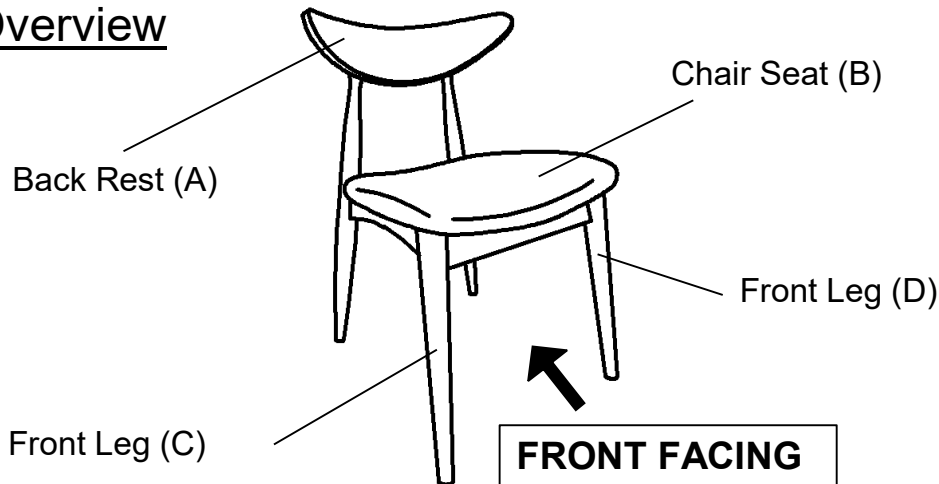
- Assemble on a clean non-marring surface (packing foam)-



- Save all packaging until finished-

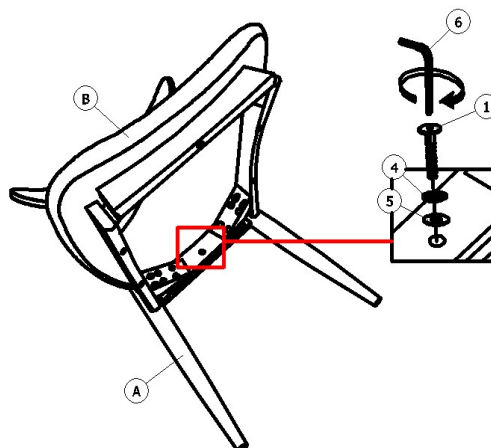
Assembly Steps

Overview



This Chair has multiple parts and may require up to 30 minutes to assemble. To give you an overview of the Chair parts, the above picture is to help you put the various parts into perspective. Please read through the instructions below to familiarise yourself with the parts and steps before assembly.

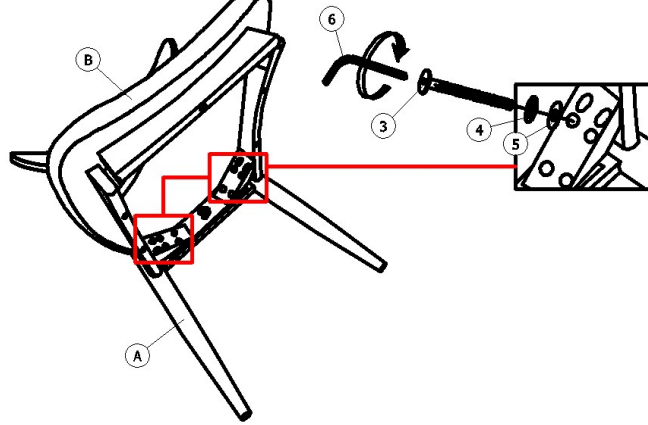
Step 1



Attach Chair Seat(B) to Back Rest(A) using Bolt(①), Spring Washer(④), and Washer(⑤) with Allen Key(⑥).

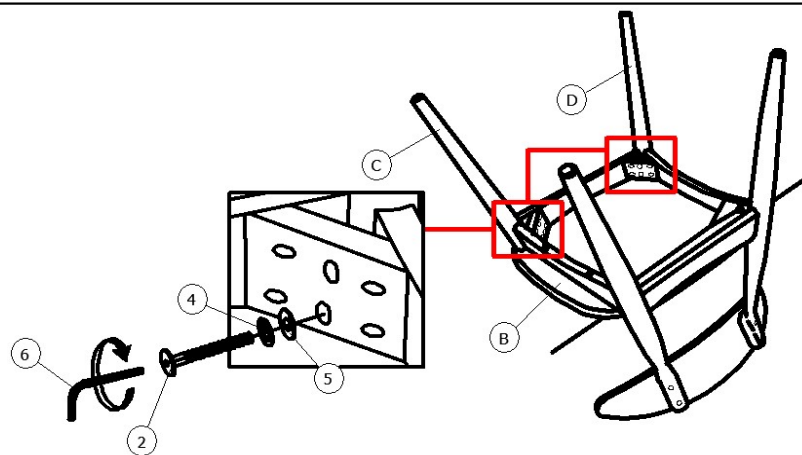
Do not fully tighten the Bolts.

Step 2



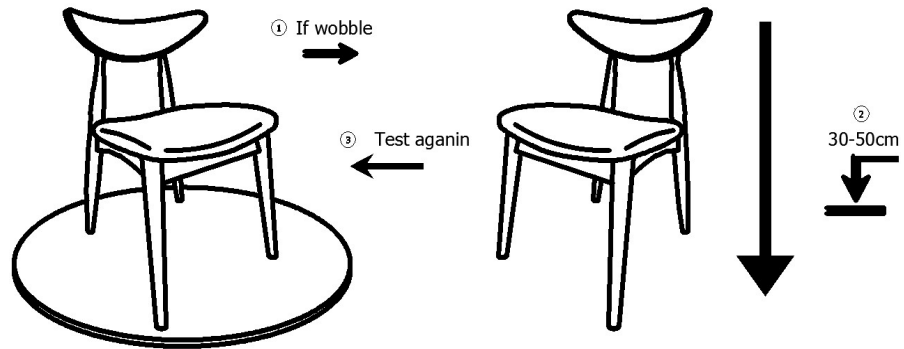
Attach Chair Seat(B) to Back Rest(A) using Bolts(③), Spring Washers(④), and Washers(⑤) with Allen Key(⑥).
Do not fully tighten the Bolts.

Step 3



Carefully place the Chair facedown on a clean, non-marring surface.
Insert Front Leg(C) and Front Leg(D) into Chair Seat(B) as shown above.
Attach Front Leg(C) and Front Leg(D) to Chair Seat(B) using Bolts(②), Spring Washers(④), and Washers(⑤) with Allen Key(⑥).
Do not fully tighten the Bolts.

Step 4



Place the Chair on a Level Surface to check for wobbles.

If it wobbles, lift the Chair some 30 to 50 cm high from the ground, keep your feet and toes well away from the drop zone, and drop the Chair vertically with all four Legs, hitting the ground at the same time.

The Drop Test will help to ensure that all Bolts and gaps reach full alignment.

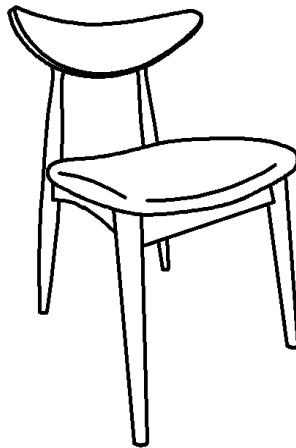
Test again for evenness on a Level Surface.

If no wobbles are found, proceed to tighten all the Bolts.

When tightening the Bolts, tighten sequentially. Do not tighten any Bolt fully and then move on to the next one, this could cause the frame to warp. If it still wobbles, loosen the Bolts and execute this same drop test.

If the Chair is not Stable it could lead to damage to the product.

Step 5



Your Chair is ready for use.

This Chair can only be used on a flat, level surface.

Care & Maintenance

	<ul style="list-style-type: none"> • Furniture may scratch floors. We recommend using furniture pads to protect your floors.
	<ul style="list-style-type: none"> • Do not put hot items directly on furniture surface.
	<ul style="list-style-type: none"> • Do not clean furniture with harsh cleansers or polish.
	<ul style="list-style-type: none"> • Do not place furniture under direct sunlight.
	<ul style="list-style-type: none"> • Do not place furniture near heating or cooling vents.
	<ul style="list-style-type: none"> • Do not write on furniture without a padded barrier to protect the surface.
	<ul style="list-style-type: none"> • Do not place furniture outside . For indoor use only.
	<ul style="list-style-type: none"> • Not for commercial use. For residential use only.
	<ul style="list-style-type: none"> • Stains may be removed with mild soap solution and damp cloth.
	<ul style="list-style-type: none"> • Children should not climb or jump on the furniture.
	<ul style="list-style-type: none"> • Dust and pick-up spills using a clean, non-colored, lint-free cloth.