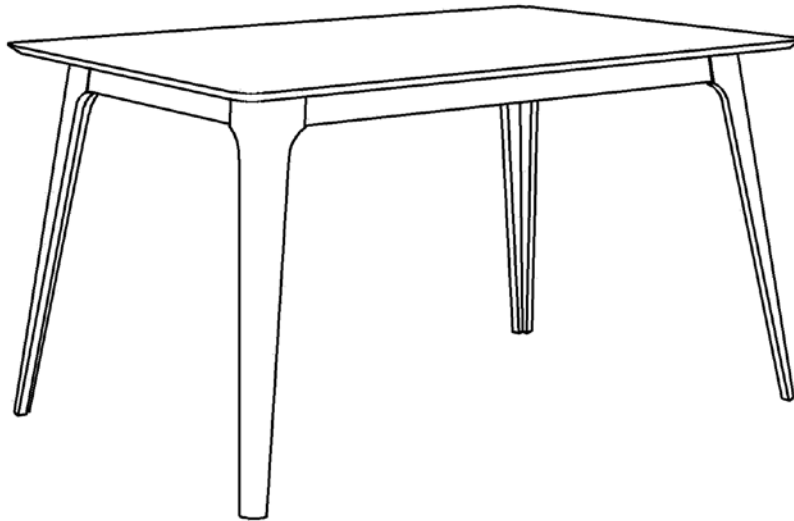


Assembly Instructions

Caution : You must read this before you proceed



DINING TABLE



Part List

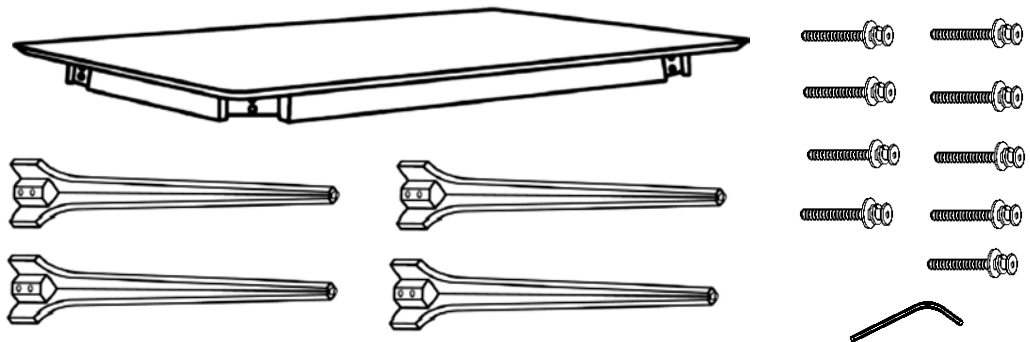
Label	Picture	Description	QTY
A	A line drawing of the table top, showing a rectangular frame with a double-layered top edge. It is shown from a three-quarter perspective.	Table Top	1
B	A line drawing of a single table leg. It has a wide, flat top with a small rectangular notch on one side. The leg tapers downwards.	Table Leg	4

Hardware

Label	Picture	Description	QTY
①		JCBB M8 x 70mm + S/W 5/16" + F/W 5/16" x 22mm	9
②		Allen Key M5	1

Assembly Preparation

Before Beginning Assembly:



- Read instructions, cover to cover-



- Have 2 adults on hand for assembly-



- Do not assemble on flooring or carpet-



- Assemble on a clean non-marring surface (packing foam)-

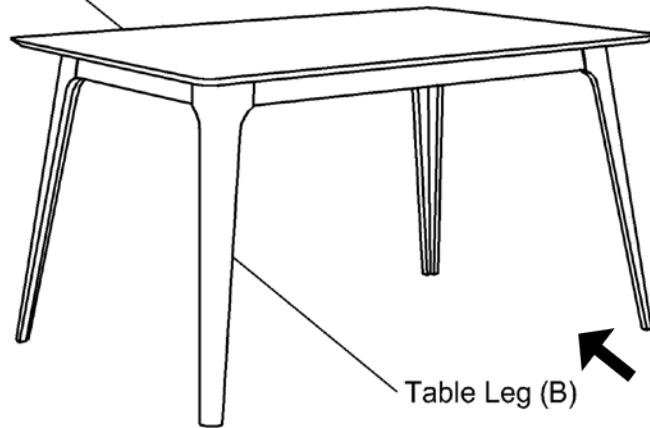


- Save all packaging until finished-

Assembly Steps

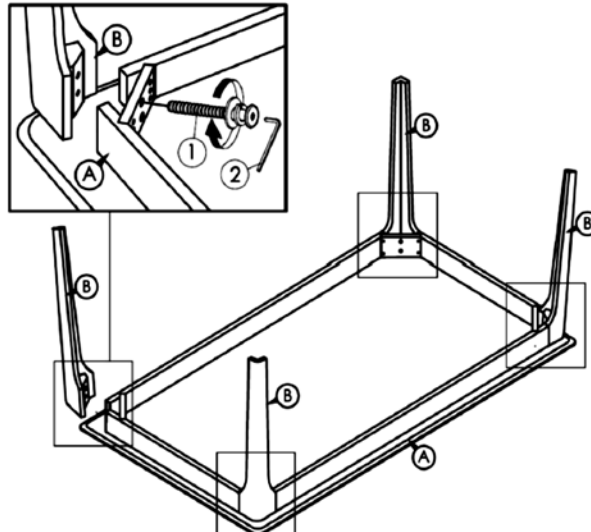
Overview

Table Top (A)



This Dining Table has multiple parts and may require up to some 30 minutes to assemble. To give you an overview of the Dining Table parts, the above picture is to help you put the various parts into perspective. Please read through the instructions below to familiarise yourself with the parts and steps before assembly.

Step 1



Place the Table Top (A) onto a clean, soft surface to avoid any scratches or damages to the product.

Position the Table Leg (B) as shown. Fix the leg with JCBB Bolt ① + Spring Washer + Flat Washer using Allen Key ②.

Repeat the step for another 3 leg.

FULLY TIGHTEN THE BOLT NOW.

With assistance from your adult partner, stand the Table up.

Your Table is now ready for use.

Care & Maintenance



- Furniture may scratch floors. We recommend using furniture pads to protect your floors.



- Do not put hot items directly on furniture surface.



- Do not clean furniture with harsh cleansers or polish.



- Do not place furniture under direct sunlight.



- Do not place furniture near heating or cooling vents.



- Do not write on furniture without a padded barrier to protect the surface.



- Do not place furniture outside . For indoor use only.



- Not for commercial use. For residential use only.



- Stains may be removed with mild soap solution and damp cloth.



- Children should not climb or jump on the furniture.



- Dust and pick-up spills using a clean, non-colored, lint-free cloth.

