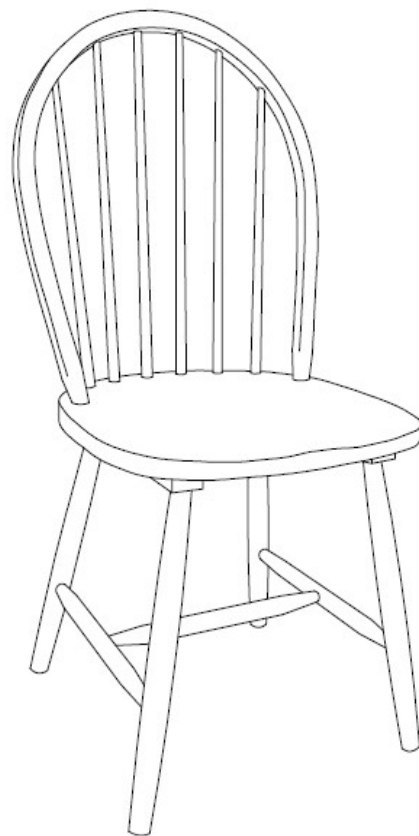


Assembly Instructions

Caution: You must read this Assembly Instruction before you proceed.

DINING CHAIR




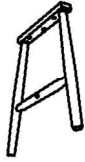
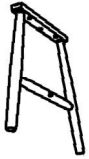

WARNING:

These chairs are intended only for normal use with all four chair legs on the ground.



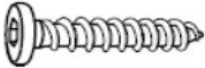


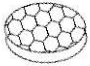

These Dining Chairs have relatively thin legs and are not designed to be sat in with only two chair legs on the ground (as in tipping to the back, tipping to the front, or to the sides).

Such actions can cause stress and failure to one or more chair legs. Any misuse of the chairs voids any warranties, express or implied.

Parts List

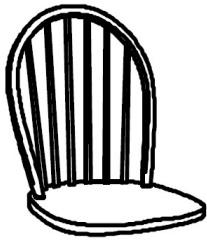
Part NO.	Picture	Description	QTY
A		Chair Seat with Backrest	1 PC
B		Right Leg Panel	1 PC
C		Left Leg Panel	1 PC
D		Middle Support Rail	1 PC

Hardware

①		Bolt M6X50	3 PCS
②		Barrel Nut	3 PCS
③		Screw M7X35	7 PCS
④		Allen Wrench	1 PC
⑤		Wood Button	3 PCS
⑥		Foam Pad	5 PCS
⑦		Screwdriver	Not Provided

Assembly Preparation

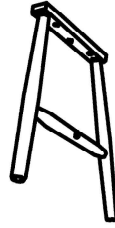
Before Beginning Assembly:



A



B



C



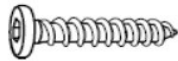
D



x3



x3



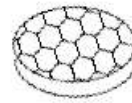
x7



x1



x3



x5



Not Provided



- Read instructions, cover to cover-



- Have 2 adults on hand for assembly-



- Do not assemble on flooring or carpet-



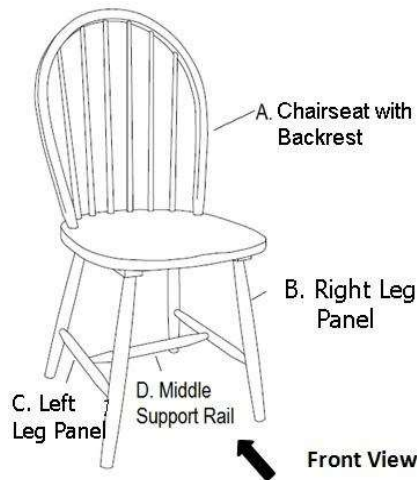
- Assemble on a clean non-marring surface (packing foam)-



- Save all packaging until finished-

Assembly Steps

Parts Introduction

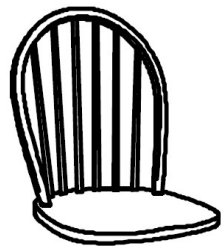


This Dining Chair has multiple parts and may require up to 30 minutes to assemble.

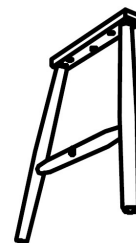
To give you an overview of the Chair parts, the above picture is to help you put the various Chair parts into perspective.

Please read through the instructions herebelow to familiarise yourself with the parts and steps before assembly.

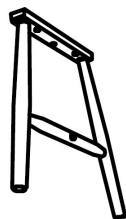
Step 1



A. Chair Seat with Backrest



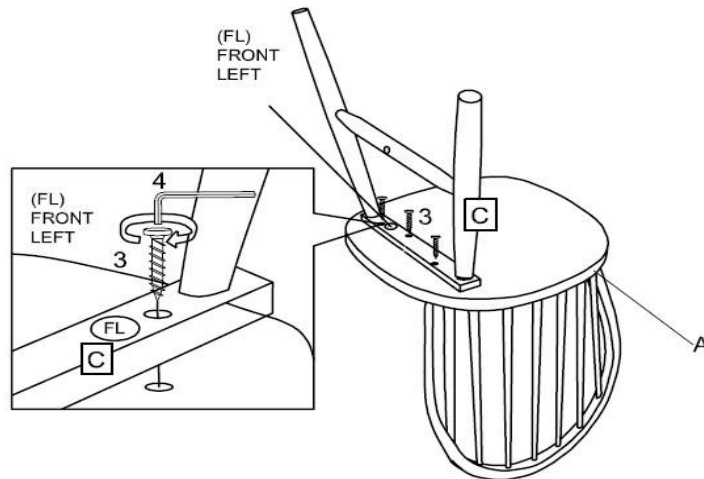
B. Right Leg Panel



C. Left Leg Panel

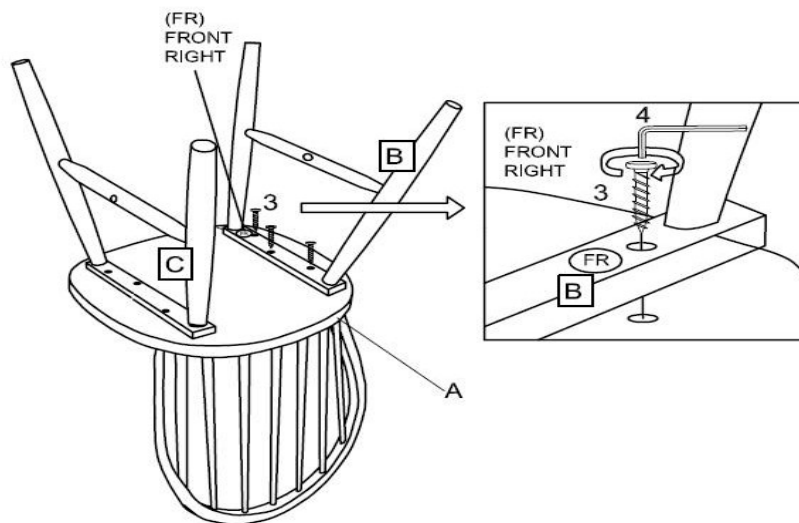


D. Middle Support Rail



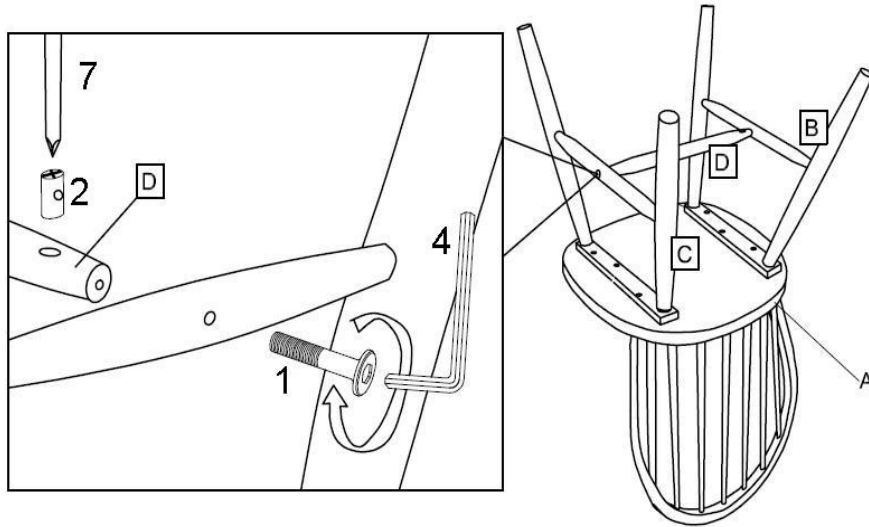
Place the Chairseat with Backrest (A) on a clean, non-marring surface.
 Assembly Front Left Leg Panel (C) onto the bottom of Chairseat with Backrest(A).
 Align and attach Chairseat with Backrest (A) and Leg Panel using Screws (3) with
 Allen Wrench (4), tighten up to some 80%.
 At this stage, **DO NOT FULLY Tighten**, yet.

Step 2



Assembly Front Right Leg Panel (B) onto the bottom of Chairseat with backrest (A).
 Align and attach Chairseat with backrest (A) and Leg Panel using Screws (3) with
 Allen Wrench (4), tighten up to 80%.
 At this stage, **DO NOT FULLY Tighten**, yet.

Step 3



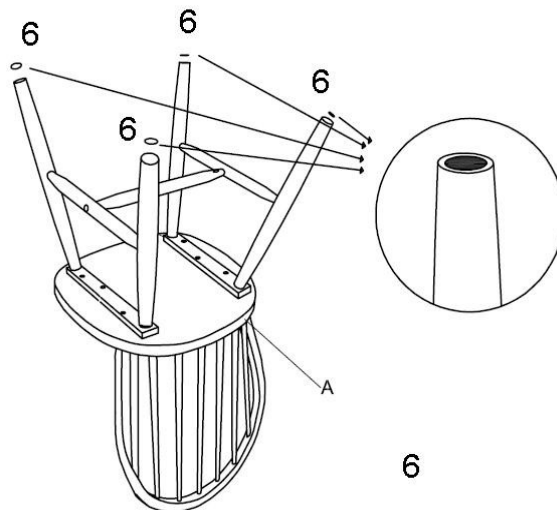
Insert Barrel Nut (2) into the mounting position in the of Middle Support Rail (D). Use Screwdriver (7) to adjust the Barrel Nut (2) into the mounting position. Attach the Left Leg Panel (C) to Middle Support Rail (D) by inserting Bolt (1) to connect into the Barrel Nut (2).

To connect use the Allen Wrench (4) as showed in above.

Repeat the same process with the Right Leg Panel (B).

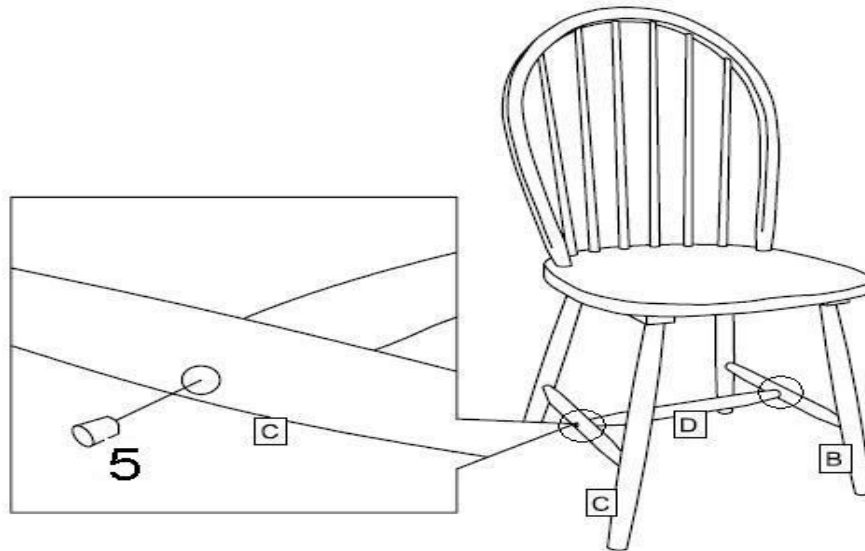
DO NOT FULLY Tighten, yet.

Step 4



Adhere the Foam Pad(6) to the middle of the bottom of the Legs, as shown

Step 5



Stand the Dining Chair the right side up.

Place the product on the platform **and make sure the product is stable before fully tighten all bolts. tighten all bolts** to ensure the product is stable .

Insert the Wood Button (5) into the Leg Support Rail Screw Hole, located at the Left and Right sides.

Repeat the same step for both sides.

Your Dining Chair is ready for use.

Care & Maintenance



- Furniture may scratch floors. We recommend using furniture pads to protect your floors.



- Do not put hot items directly on furniture surface.



- Do not clean furniture with harsh cleansers or polish.



- Do not place furniture under direct sunlight.



- Do not place furniture near heating or cooling vents.



- Do not write on furniture without a padded barrier to protect the surface.



- Do not place furniture outside . For indoor use only.



- Not for commercial use. For residential use only.



- Stains may be removed with mild soap solution and damp cloth.



- Children should not climb or jump on the furniture.



- Dust and pick-up spills using a clean, non-colored, lint-free cloth.