












Assembly Instructions

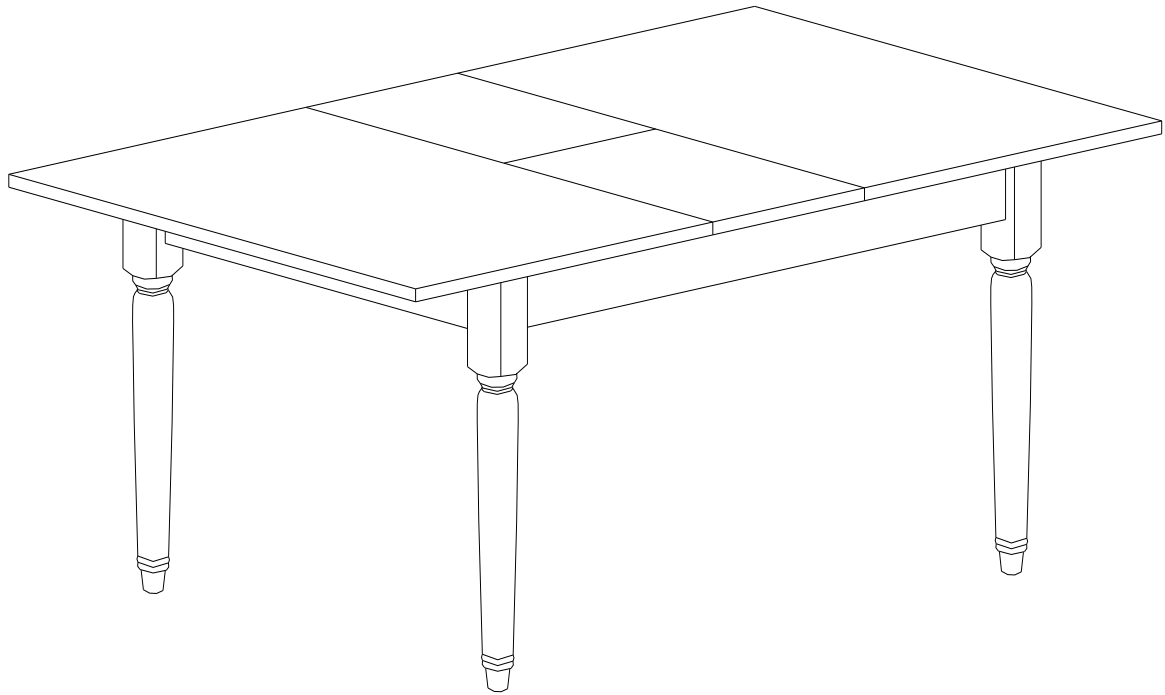
Caution : You must read this before you proceed

Care & Maintenance

-  ● Not for commercial use. For residential use only.
 -  ● Furniture may scratch floors. We recommend using furniture pads to protect your floors.
 -  ● Do not put hot items directly on furniture surface.
 -  ● Do not clean furniture with harsh cleansers or polish.
 -  ● Do not place furniture under direct sunlight.
 -  ● Do not place furniture near heating or cooling vents.
 -  ● Do not write on furniture without a padded barrier to protect the surface.
 -  ● Do not place furniture outside . For indoor use only.
 -  ● Stains may be removed with mild soap solution and damp cloth.
 -  ● Children should not climb or jump on the furniture.
-
-  ● Dust and pick-up spills using a clean, non-colored, lint-free cloth.

Please look in the following places for hardware packs and legs:
-in the inner box, or
- in the pouch.

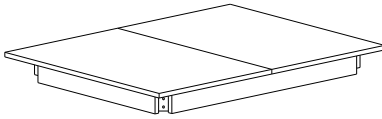

TABLE







CAUTION : This Table is NOT a TOY.

**Keep your child / children at bay during the assembly process.
The Table is HEAVY; to prevent injury to yourself or damage to the product a minimum of two adults are required whenever moving or lifting the product.**

Part List

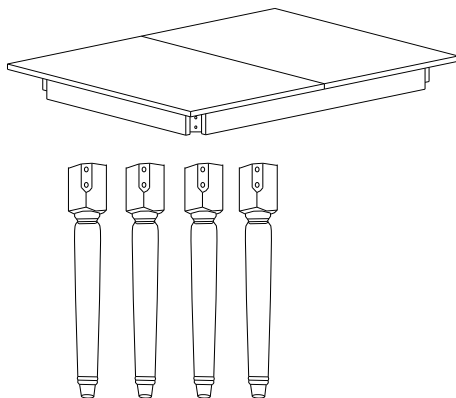
Label	Picture	Description	QTY
A		Table Top	1
B		Leg	4

Hardware

Label	Picture	Description	QTY
①		Bolt (M6*50mm)	9
②		Spring Washer	9
③		Washer	9
④		Allen Wrench	1

Assembly Preparation

Before Beginning Assembly:



 ① x 9

 ② x 9

 ③ x 9



- Read instructions, cover to cover-



- Have 2 adults on hand for assembly-



- Do not assemble on flooring or carpet-



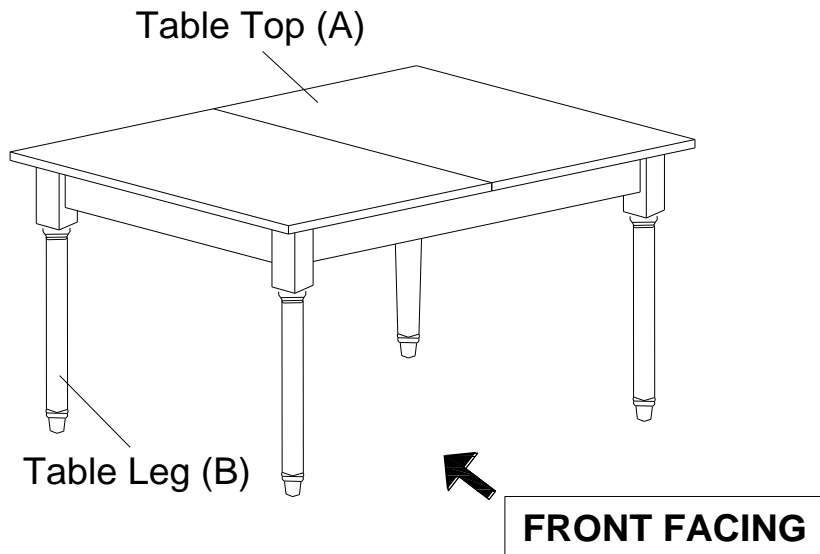
- Assemble on a clean non-marring surface (packing foam)-



- Save all packaging until finished-

Assembly Steps

Overview

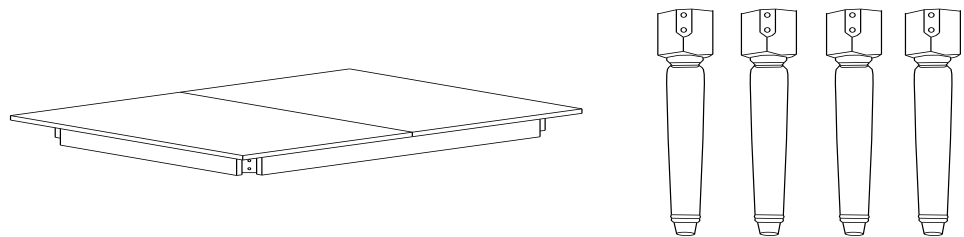


This Table has multiple parts and may require up to 30 minutes to assemble.

To give you an overview of the Table parts, the above picture is to help you put the various parts into perspective.

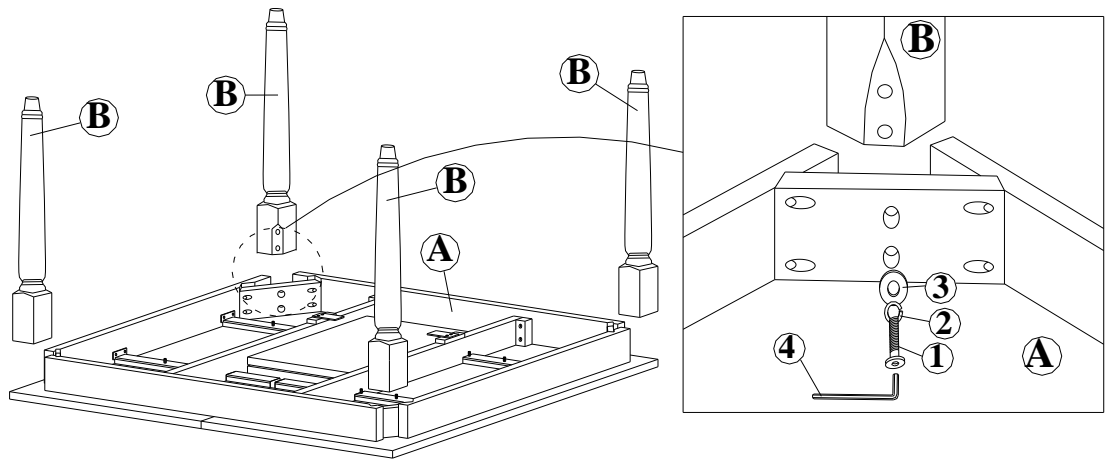
Please read through the instructions below to familiarise yourself with the parts and steps before assembly.

Step 1



Unpack and place all parts on a clean, non-marring surface.

Step 2

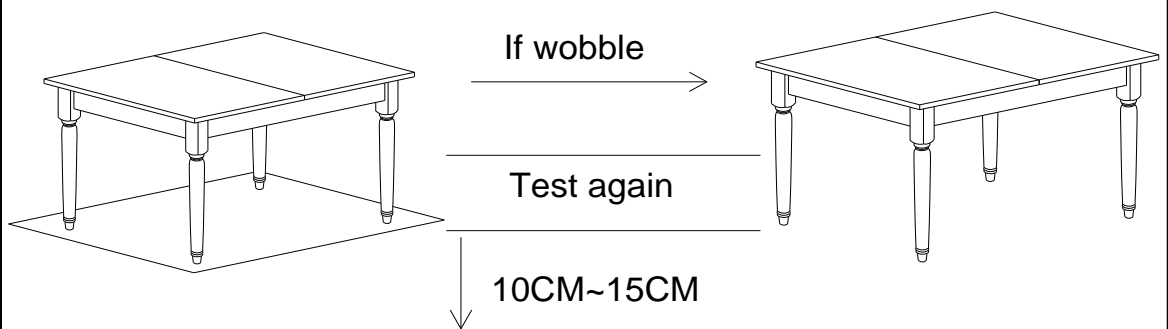


Place the Table Top(A) with its underside skywards onto a clean, non-marring surface to avoid any scratches or damage to the product. Insert the Legs(B) into the Mounting Positions at the corners of the TableTop(A).

Attach Legs(B) to Table Top(A) using Bolts(①), Spring Washers(②), and Washers(③) with Allen Wrench(④), as shown in the picture above.

Do not fully tighten the Bolts.

Step 3



Place the Table on a **LEVEL SURFACE** to check for wobbles.

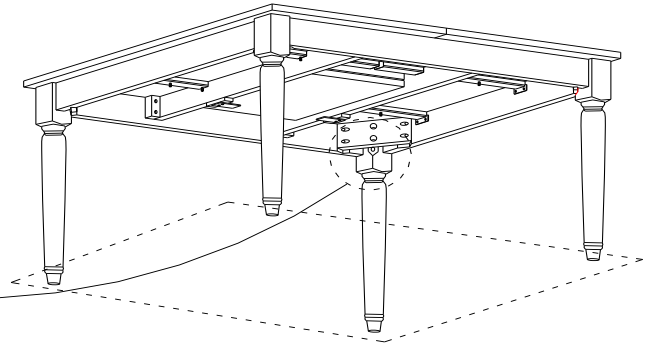
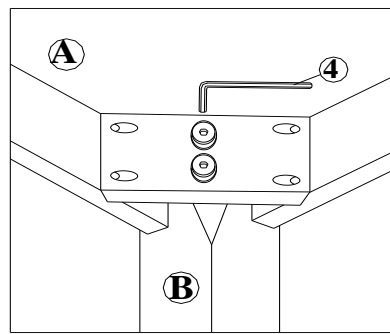
If it wobbles, with 2 to 3 adult partners, lift the Table some 10cm to 15cm high from the ground.

Keep your feet and toes well away from the drop zone.

Drop the Table freely and vertically with the four legs, hitting the ground, at the same time.

This Drop Test will help to ensure that all the Bolts and gaps to all reach full alignment status.

Step 4



Test again for evenness on a **LEVEL SURFACE**.

If no wobbles found, proceed to tighten all Bolts in a sequential manner with Allen Wrench.

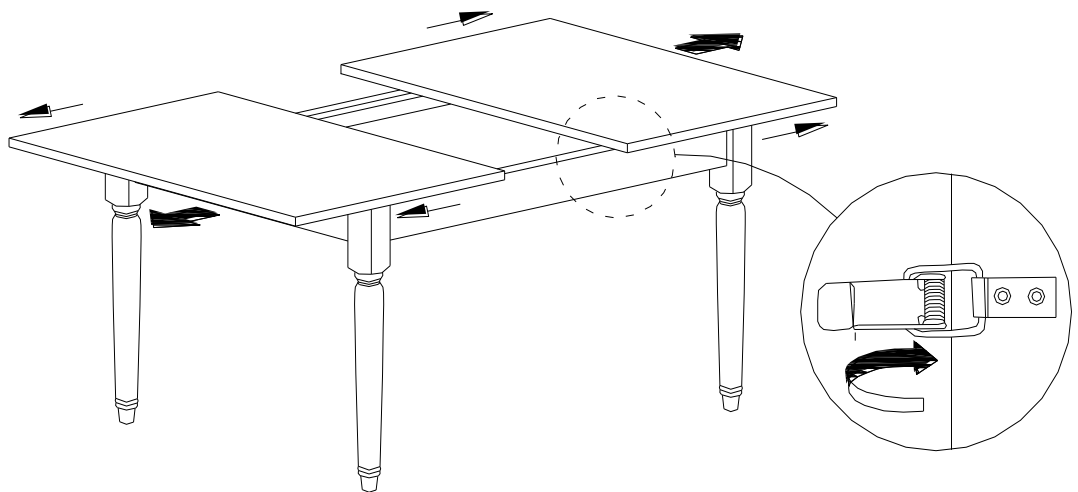
When tightening these Bolts, tighten sequentially.

DO NOT tighten any Bolt fully and then move on towards the next one.

This could cause the frame to warp.

If there are still wobbles, loosen the Bolts and execute this same drop test.

Step 5



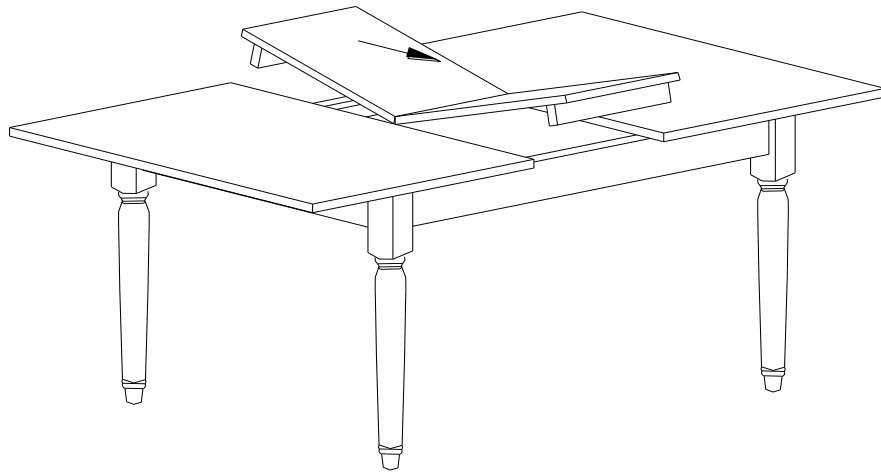
To extend the Table:

Release the locking latches on the underside of the Table.

Pull the Table Tops outwards, with your Adult partner, as shown in picture.

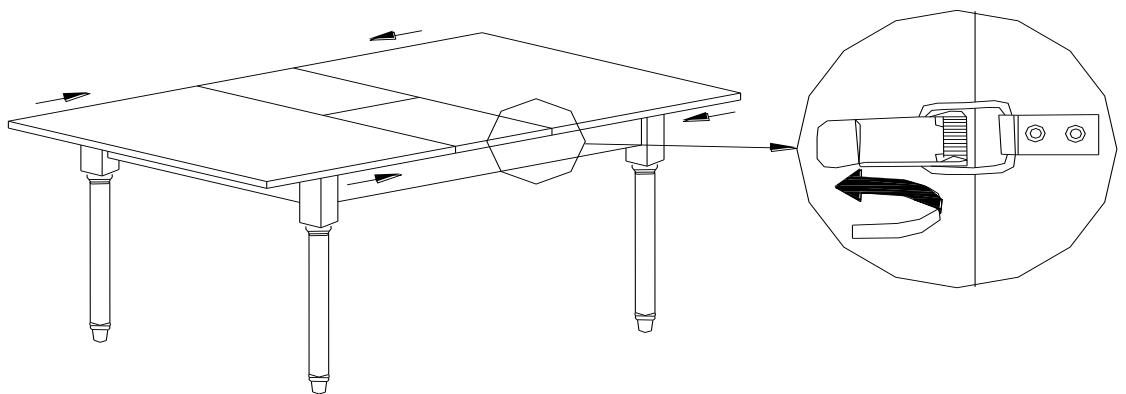
Note: To extend the Table, it is recommended you use two hands.

Step 6



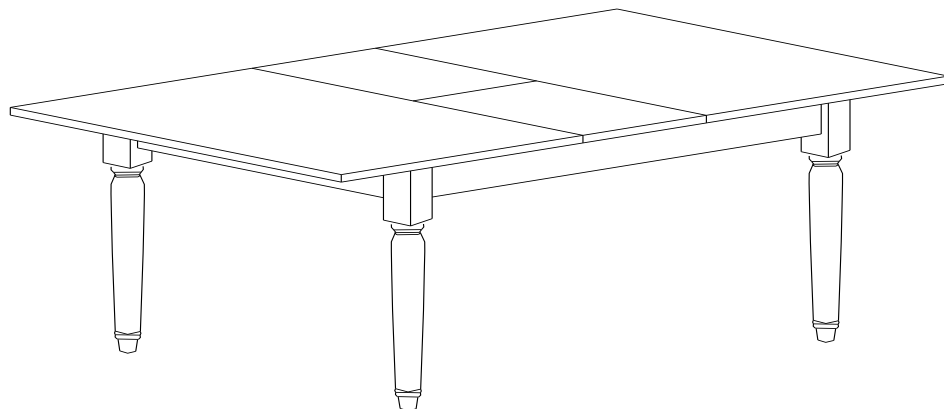
Fold out the "Butterfly Leaves" to the middle of the Table.
Unfold until they are FLAT and LEVEL with the outer panels.

Step 7



Then gently push the Table Top towards the center to lock the Panels into their housings.

Step 8



Your Table is ready for use.
This Table can only be used on a flat, level surface.