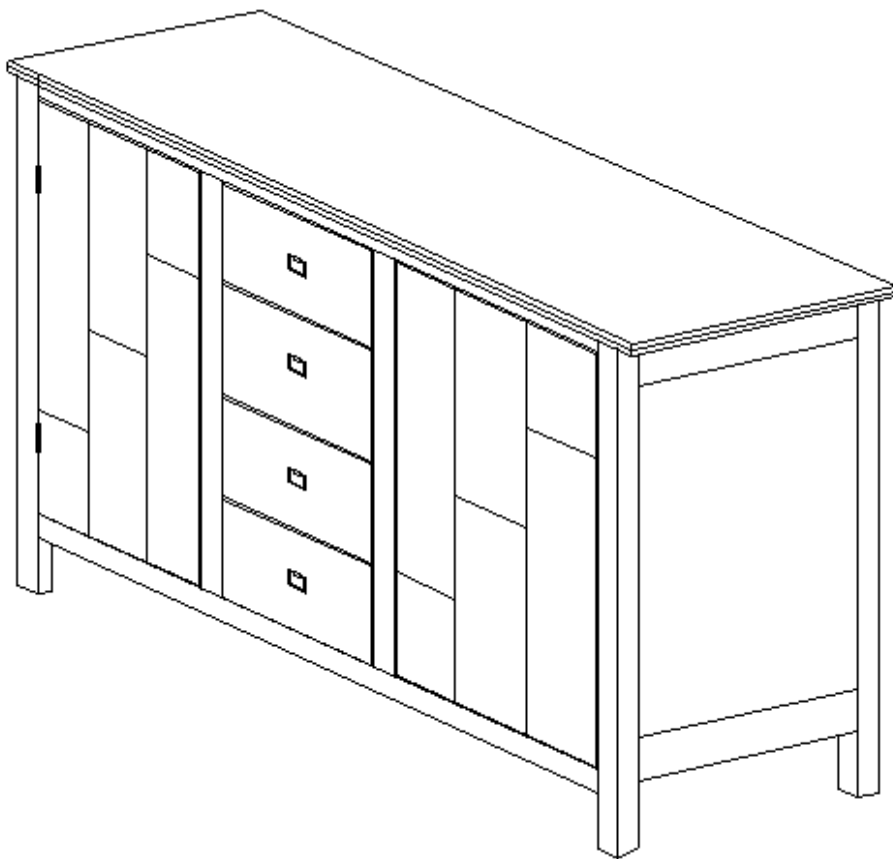


Instruction of Cabinet Restraint Device (CRD)

Caution: You must read this before you proceed.

Cabinet







CAUTION : This Cabinet is NOT a TOY.

Keep your child / children at bay during the assembly process.

For turning / flipping the Cabinet and to prevent damage to the Cabinet, two people may be needed to execute this action.

Hardware

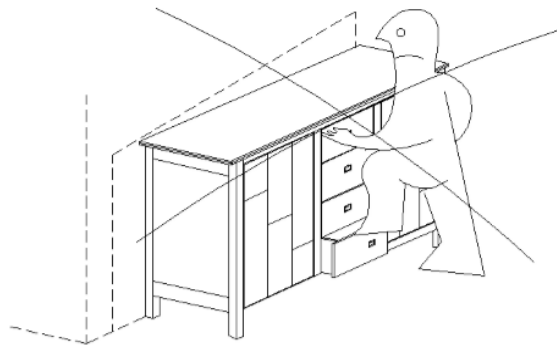
①		2.0 cm Screw	2
②		5.5 cm Screw	2
③		Metal Bracket	4
④		Cabinet Restraint Strap	2



WARNING

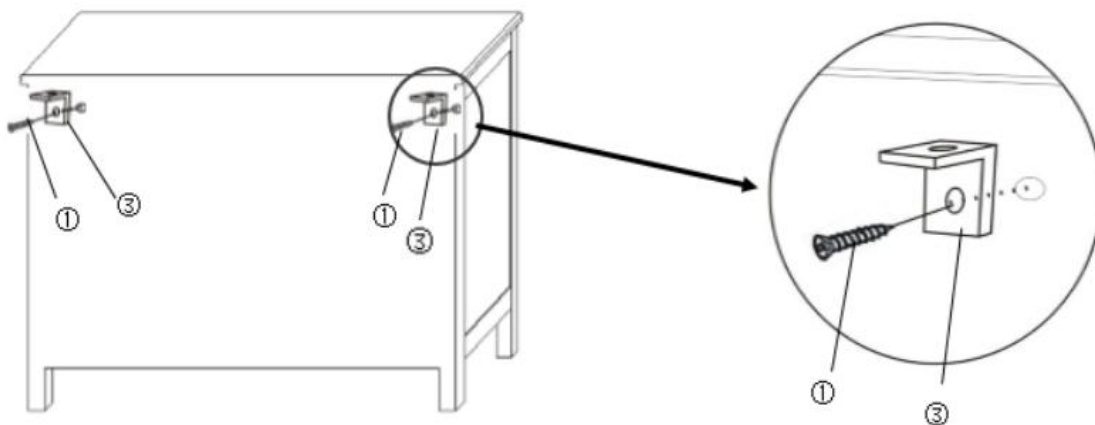
Serious or fatal crushing injuries can occur from tipping furniture.
To help prevent tip-over: ALWAYS secure this furniture to the wall using Cabinet Restraint Device.

See product instructions for more ways to help prevent furniture tip-over.

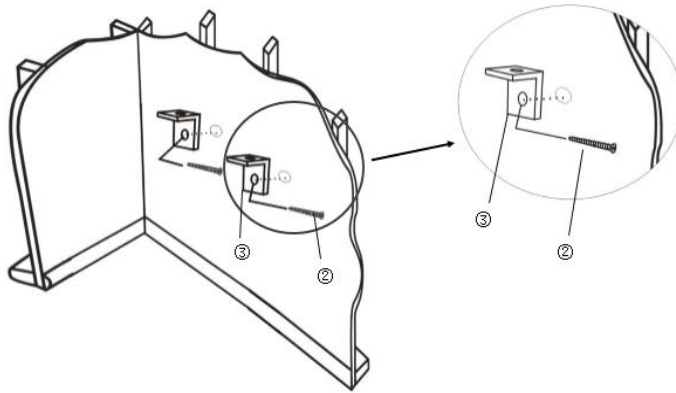


Usage For Cabinet Restraint Device:

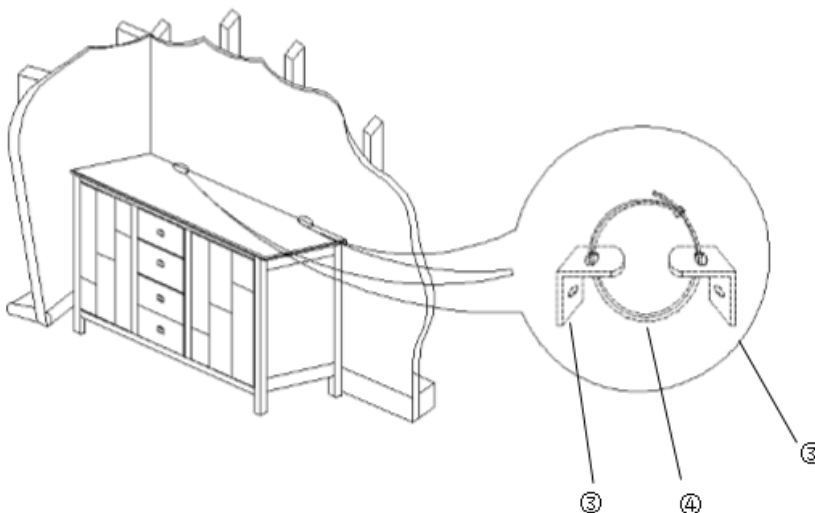
For Cabinet against wall, fix 2pcs Metal Brackets(③) on wall and 2pcs Metal Brackets(③) on product, use Cabinet Restraint Strap(④) to connect the Metal Bracket(③) on wall and product. Find details as below:



A: Firstly, turn back the Cabinet outwards as shown above. Then fix one Metal Bracket (③) on the marked place on the back of cabinet by the 2.0cm Self Tapping Screw(①) . The mark will be different based on products. Repeat this step to fix another Metal Bracket (③) on product, as shown above.









B: Find out the screw holes on the wall. First, mark the point at same height as L-shaped Metal Bracket (③) on product. You can find these same points in two ways as below:
 1. Move the Cabinet back to the wall ,make these points on the wall and product are at same height
 2. Measure the height of the Metal Bracket and the wall by ruler ,keep them are accurately and same height. (**Caution: The Cabinet Restraint Strap(④) between Metal Brackets on product and wall should be within 3.5"** .) Then fix one L-shaped Metal Bracket on the mark on wall by the 5.5cm Self Tapping Screws(②). Repeat this step to fix another Metal Bracket (③) on wall, as shown above.



C: Move the Cabinet against the wall. Then pull the Cabinet Restraint Strap(④) through two Metal Brackets(③) one by one, lock tight the Cabinet Restraint Strap(④), as shown above. Cabinet Restraint Device is installed and Cabinet is ready for use. Caution: This Cabinet can only be used on a flat, level surface.

Care & Maintenance

-  Do not put hot items directly on furniture surface
 -  Do not clean furniture with harsh cleansers or polish.
 -  Do not place furniture under direct sunlight.
 -  Do not place furniture near heating or cooling vents.
 -  Do not write on furniture without a padded barrier to protect the surface.
 -  Do not place furniture outside . For indoor use only .
 -  Not for commercial use. For residential use only .
 -  Stains may be removed with mild soap solution and damp cloth.
 -  Children should not climb or jump on the furniture.
-
-  Dust and pick-up spills using a clean, non-colored, lint-free cloth .