























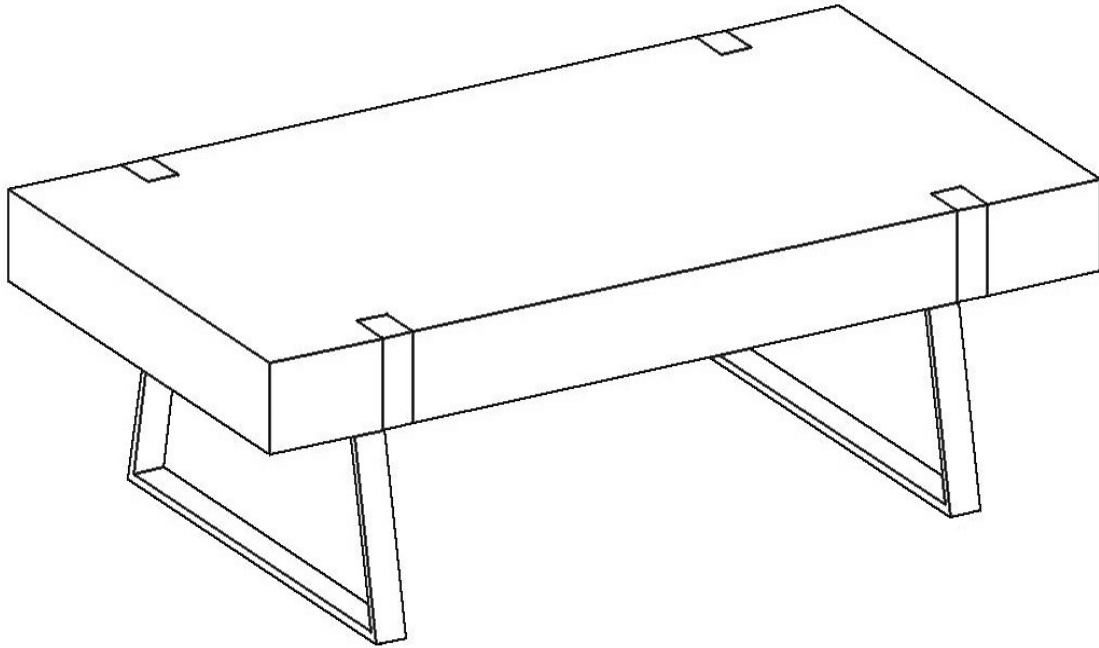
Assembly Instructions

Caution : You must read this before you proceed

Care & Maintenance

-   ● Not for commercial use. For residential use only.
 -   ● Furniture may scratch floors. We recommend using furniture pads to protect your floors.
 -   ● Do not put hot items directly on furniture surface.
 -   ● Do not clean furniture with harsh cleansers or polish.
 -   ● Do not place furniture under direct sunlight.
 -   ● Do not place furniture near heating or cooling vents.
 -   ● Do not write on furniture without a padded barrier to protect the surface.
 -   ● Do not place furniture outside . For indoor use only.
 -   ● Stains may be removed with mild soap solution and damp cloth.
 -   ● Children should not climb or jump on the furniture.
-   ● Dust and pick-up spills using a clean, non-colored, lint-free cloth.

COFFEE TABLE



Parts List

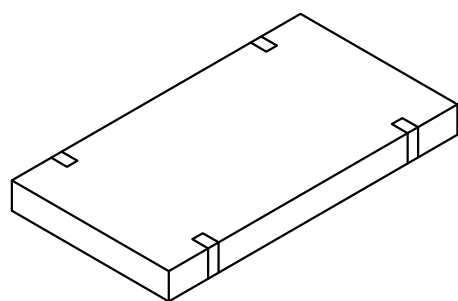
Label	Picture	Description	QTY
A		Table Top	1
B		Support Rail	2
C		Leg Frame	2

Hardware

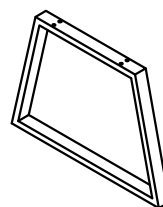
Label	Picture	Description	QTY
①		Short Bolt(M6x15mm)	9
②		Long Bolt(M6x35mm)	15
③		Washer	15
④		Allen Wrench	1
⑤		Adjustable feet	5

Assembly Preparation

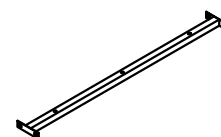
Before Beginning Assembly:



A



Bx2



Cx2



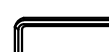
①x9



②x15



③x15



④



⑤x5



- Read instructions, cover to cover-



- Have 2 adults on hand for assembly-



- Do not assemble on flooring or carpet-



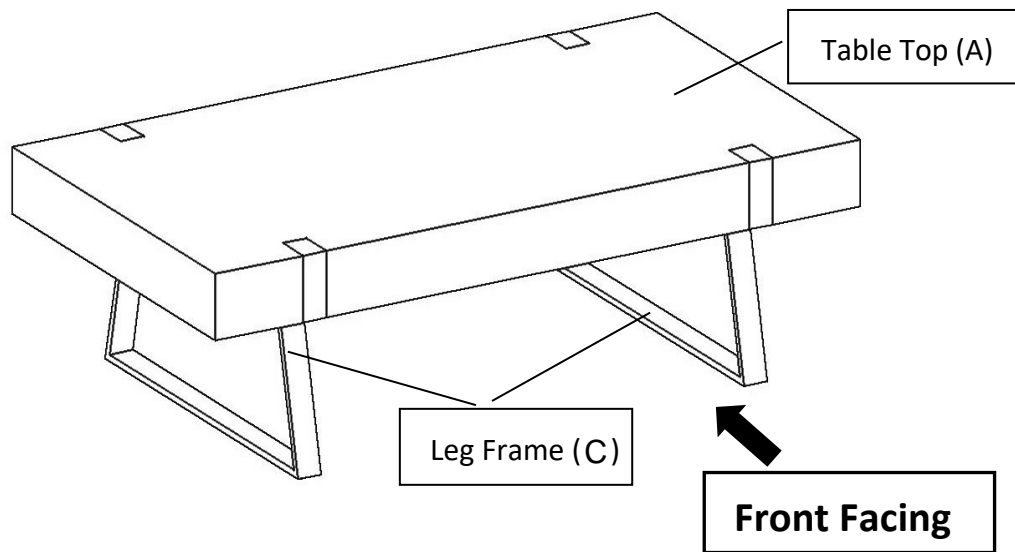
- Assemble on a clean non-marring surface (packing foam)-



- Save all packaging until finished-

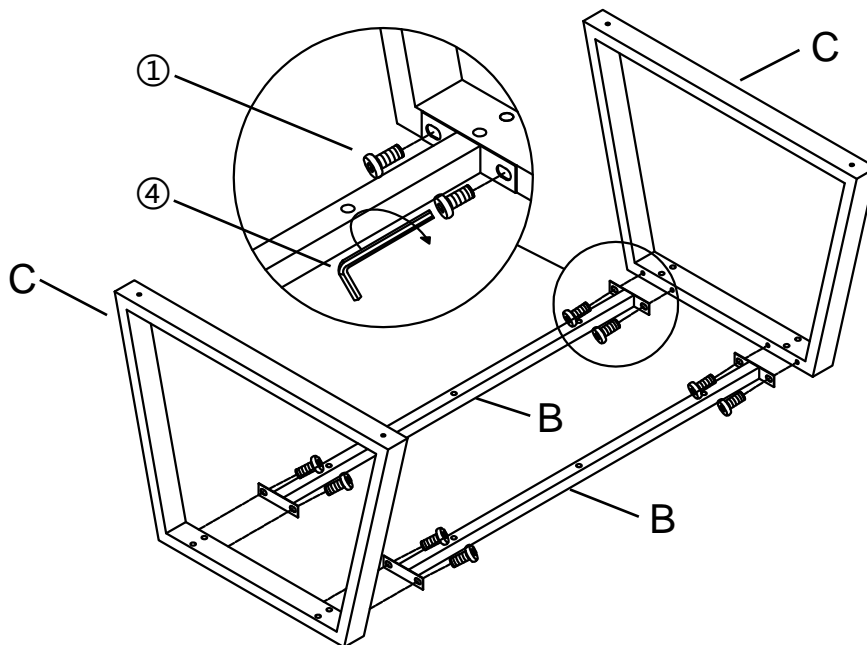
Assembly Steps

Overview:



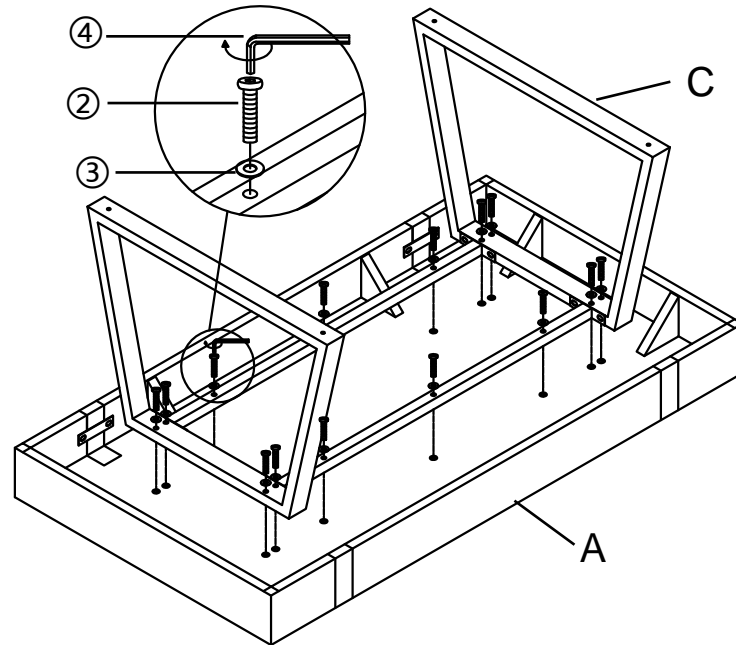
This Coffee Table has multiple parts and may require up to 30 minutes to assemble. To give you an overview of the Coffee Table parts, the above picture is to help you put the various parts into perspective. Please read through the instructions below to familiarise yourself with the parts and steps before assembly.

Step 1



Carefully place the Leg Frame(C) and Support Rail (B) on a clean, non-marring surface as picture, align the mounting positions on Leg Frame(C) with the mounting positions on Support Rail (B), then attach them together by using Short Bolts (①) with Allen Wrench (④).

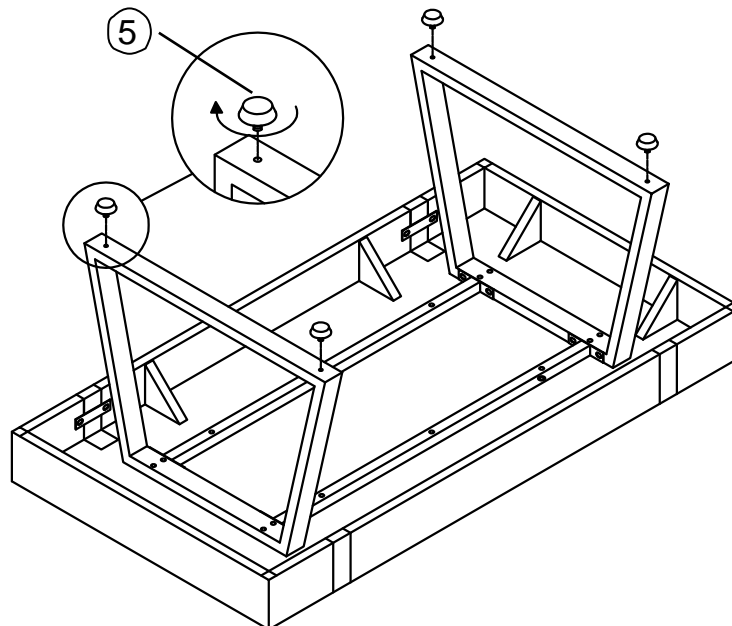
Step 2



Carefully place the Table Top (A) facedown on a clean, non-marring surface with assistant from second adult. Align the mounting positions on assembled Leg Frame(C) and Support Rail (B) with the mounting positions on Table Top (A), then attach them together by using Washers(③) and Long Bolts (②) with Allen Wrench (④).

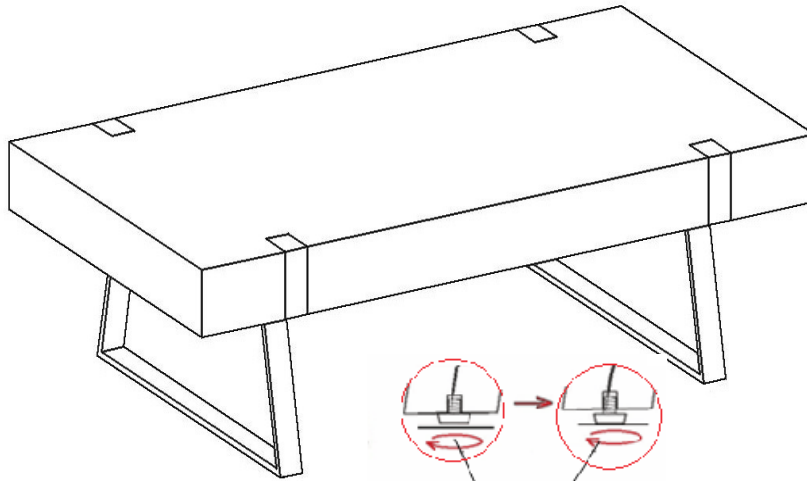
Tightening all Bolts(①&②)completely in a sequential manner.

Step 3



Install four adjustable feet(⑤) to the leg frame(C) in clockwise.

Step 4



Adjustable feet height
to achieve balance

Stand the Table up.

Your Table is ready for use.

If the Table wobbles adjust the adjustable feet at the bottom of the
Legs until the Table is level.

This Table can only be used on a flat, level surface.