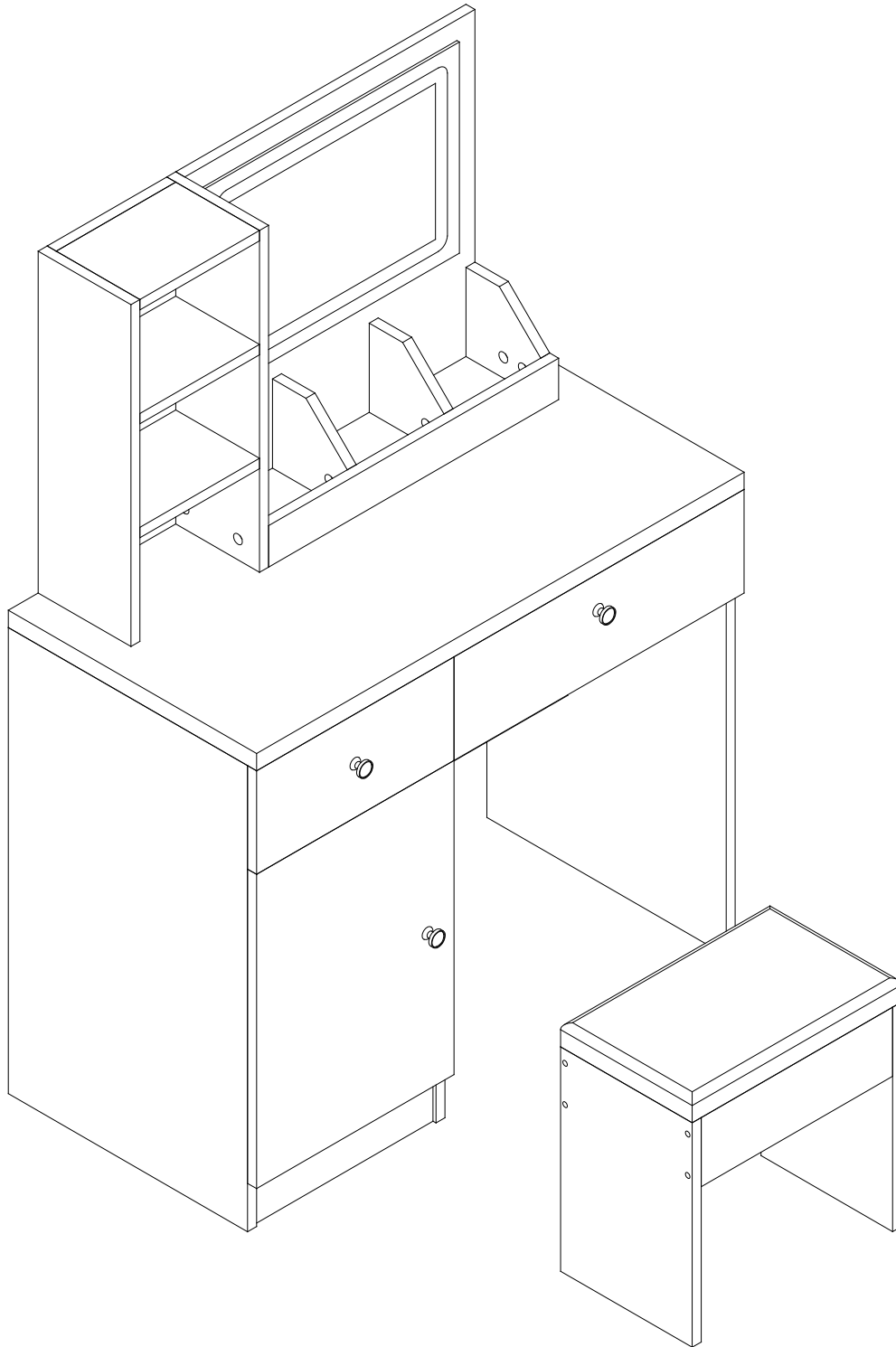
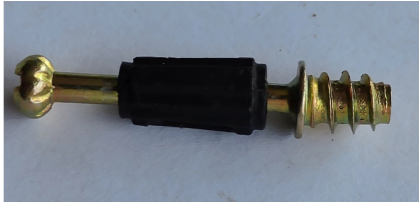


ASSEMBLY INSTRUCTION

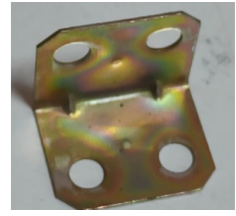




Ax63



Bx63



Cx2



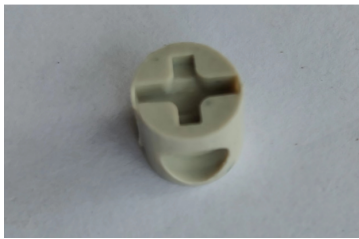
Dx4



Ex32



Fx8



Gx8



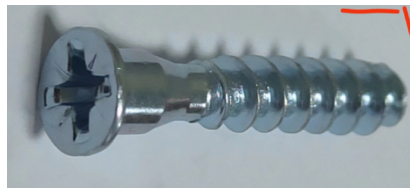
Hx3



Kx2



Lx1



Mx6



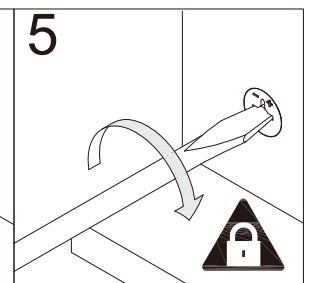
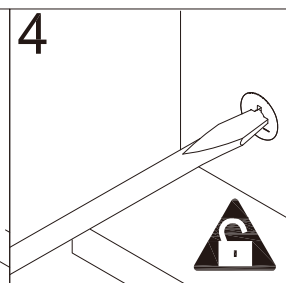
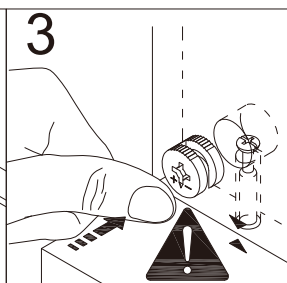
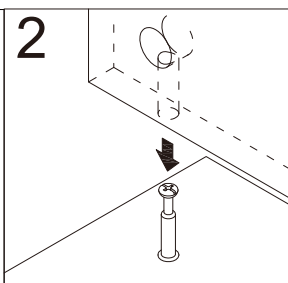
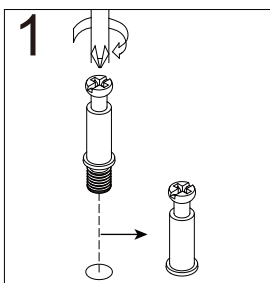
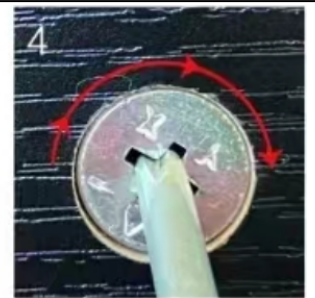
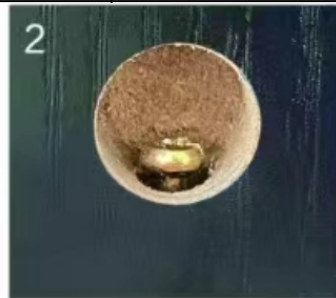
Nx1

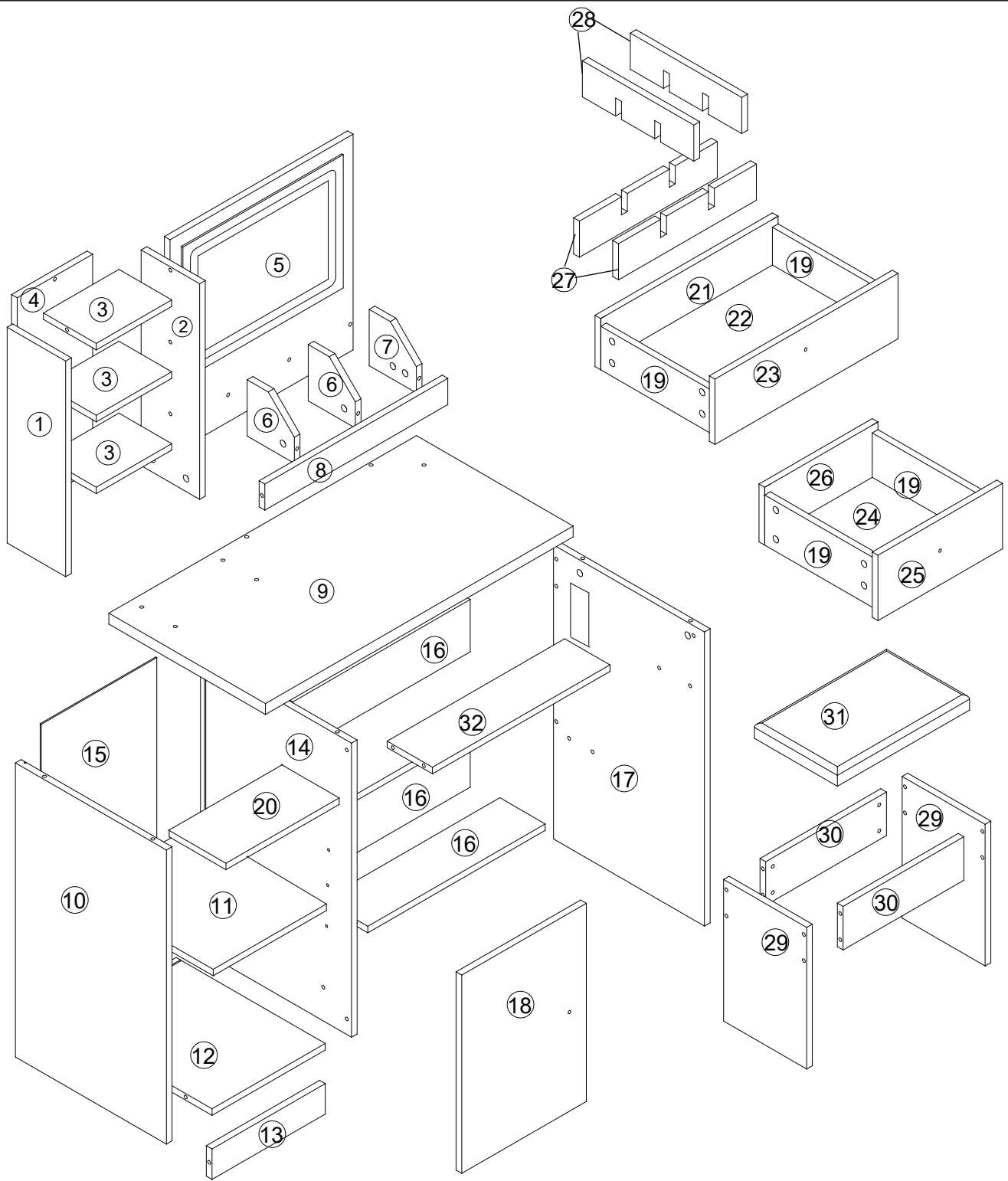


Ox1



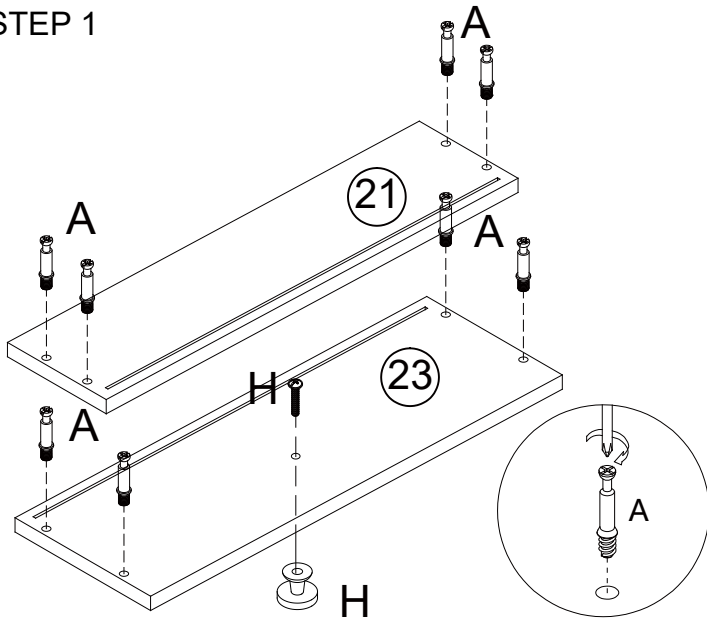
Px4



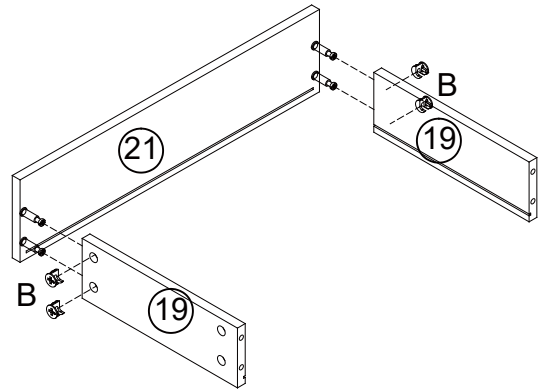


1 - x1	8 - x1	15 - x1	22 - x1	29 - x2
2 - x1	9 - x1	16 - x3	23 - x1	30 - x2
3 - x3	10 - x1	17 - x1	24 - x1	31 - x1
4 - x1	11 - x1	18 - x1	25 - x1	
5 - x1	12 - x1	19 - x4	26 - x1	
6 - x2	13 - x1	20 - x1	27 - x2	
7 - x1	14 - x1	21 - x1	28 - x2	

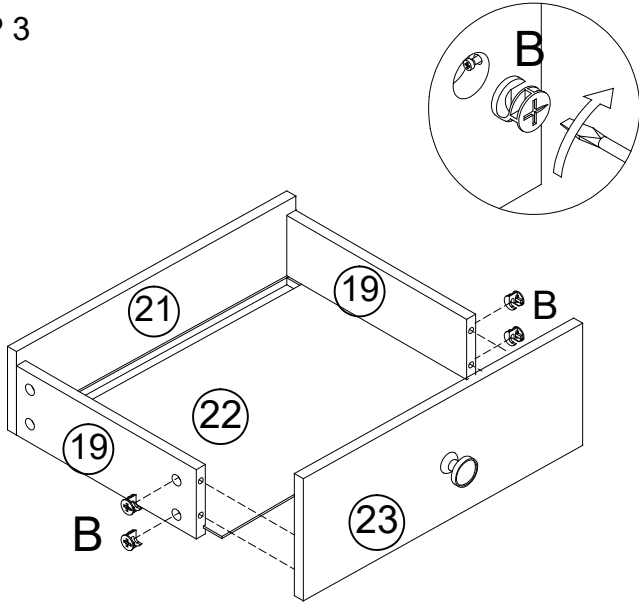
STEP 1



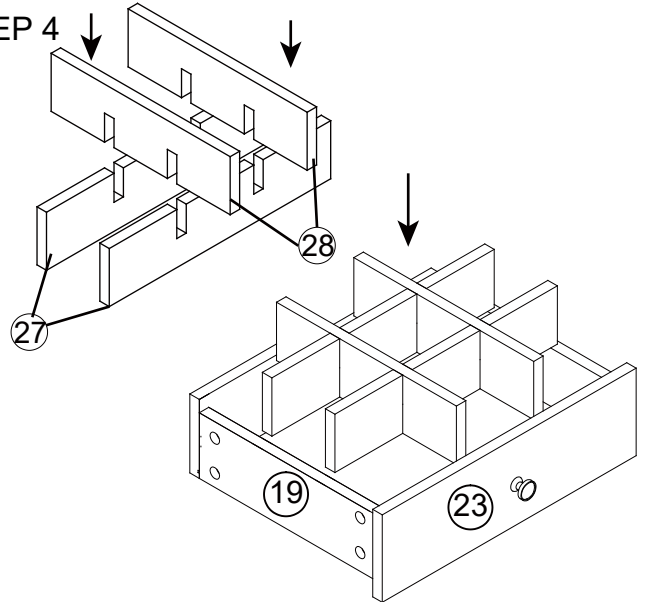
STEP 2



STEP 3

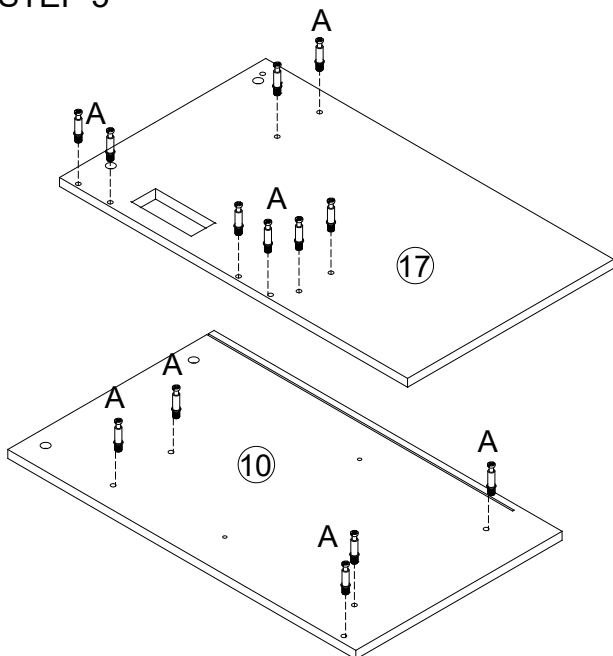


STEP 4

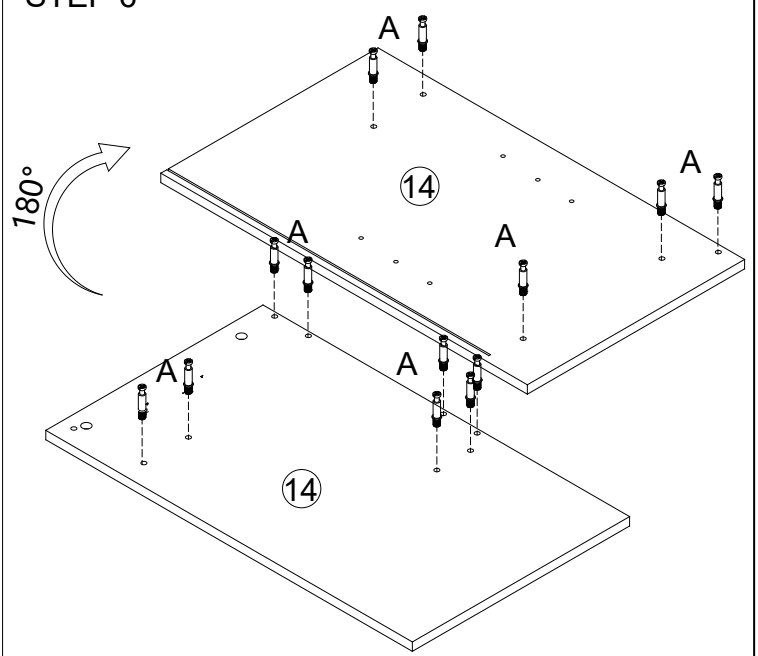


Three drawers are installed in the same way

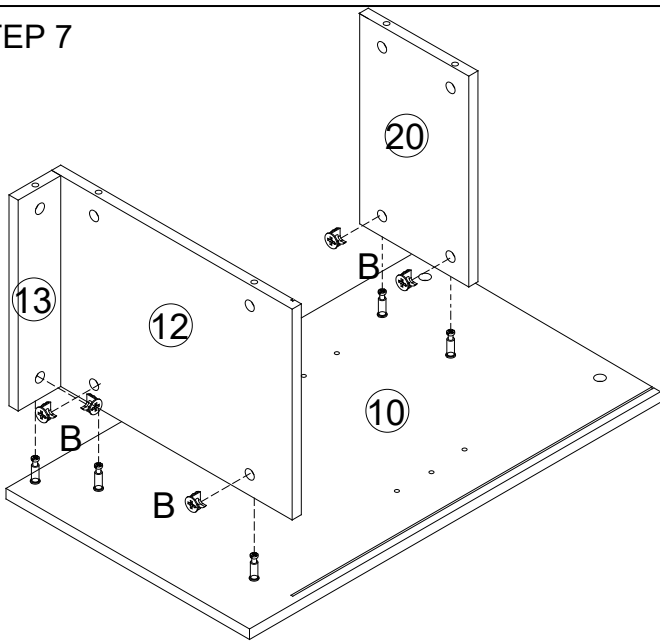
STEP 5



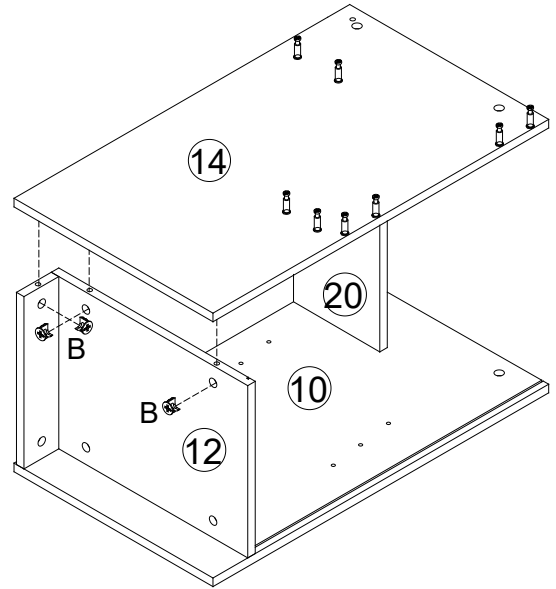
STEP 6



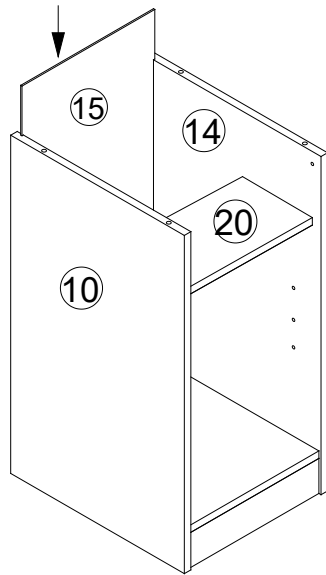
STEP 7



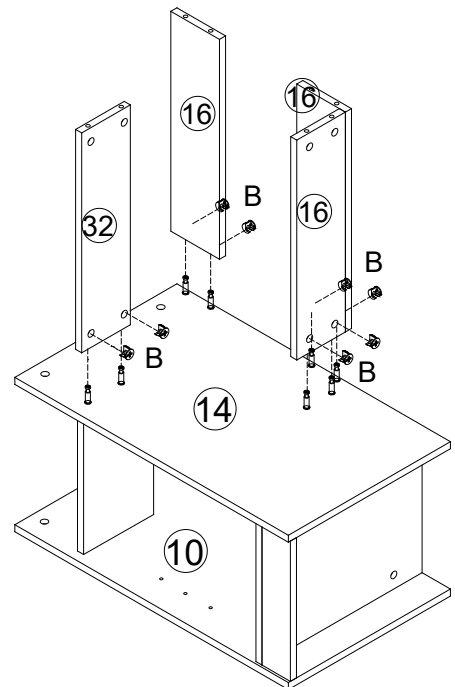
STEP 8



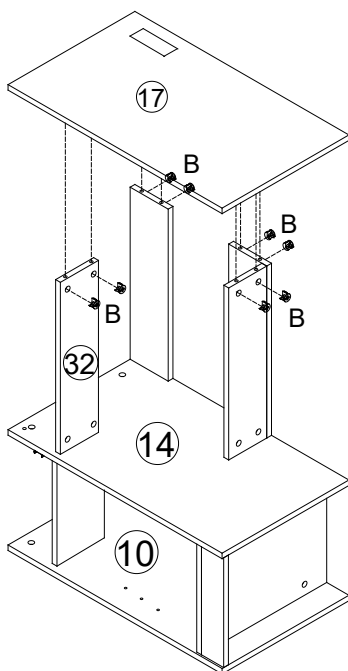
STEP 9



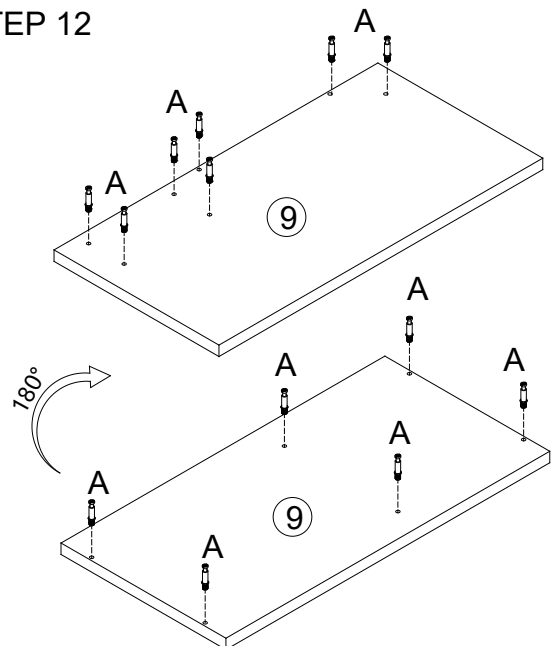
STEP 10



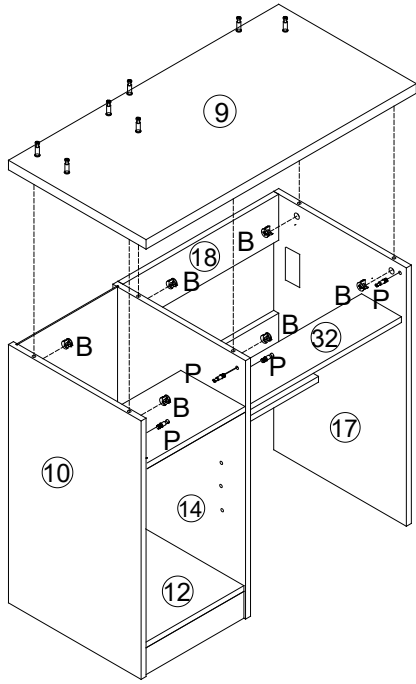
STEP 11



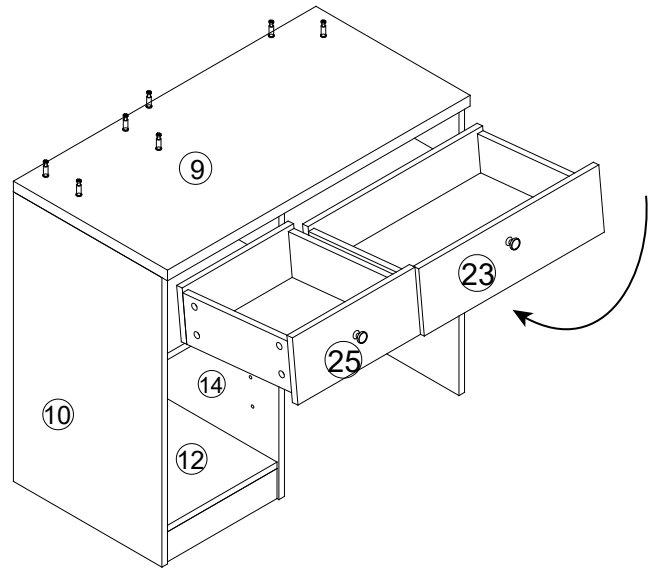
STEP 12



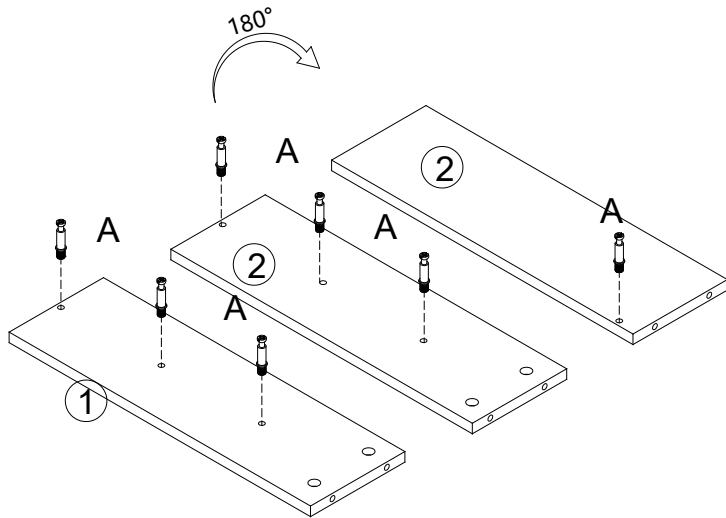
STEP 13



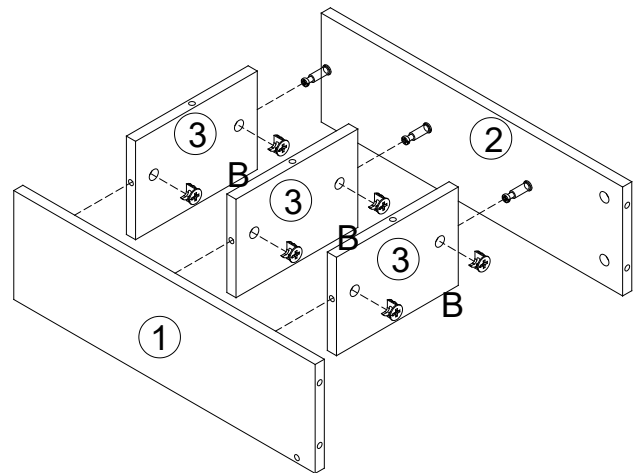
STEP 14



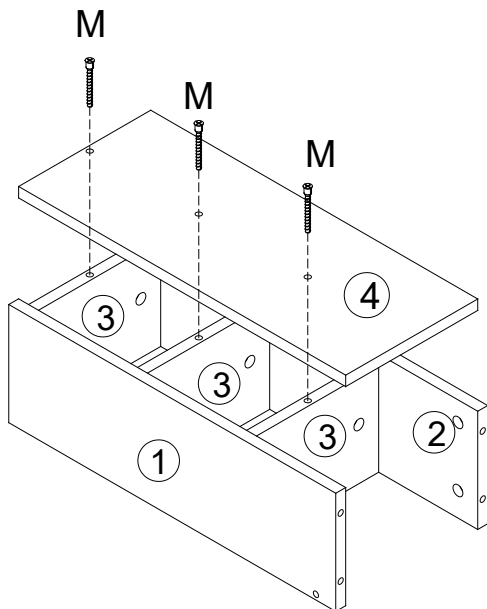
STEP 15



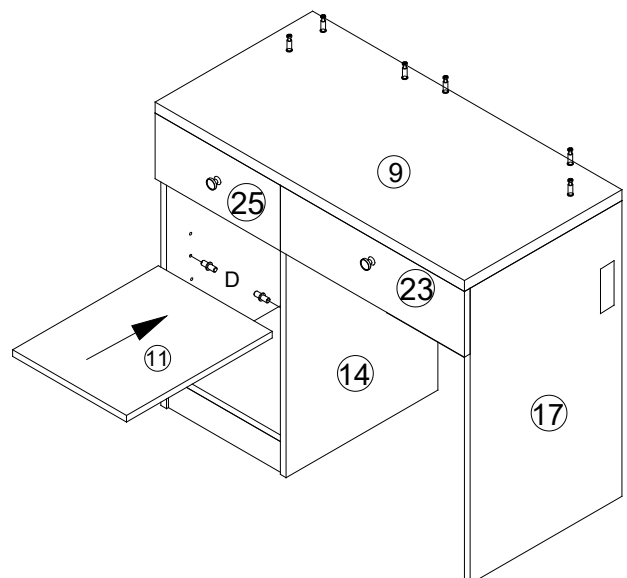
STEP 16



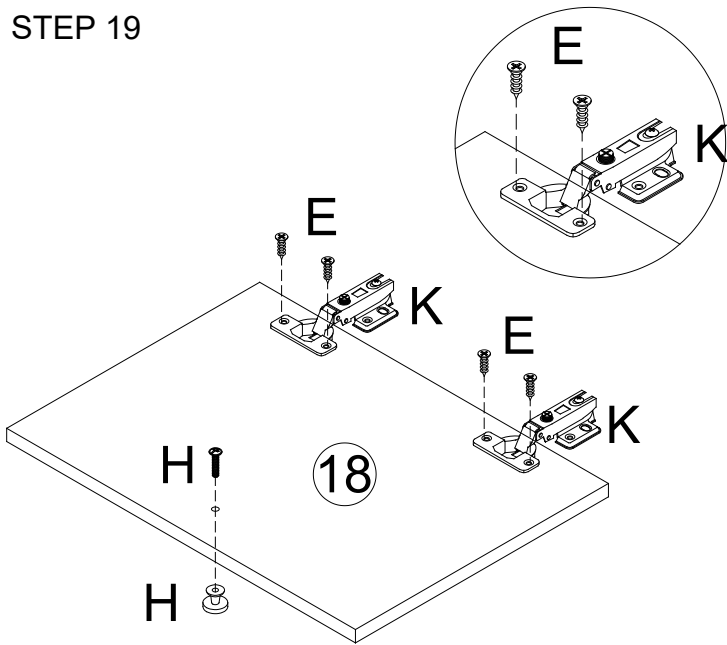
STEP 17



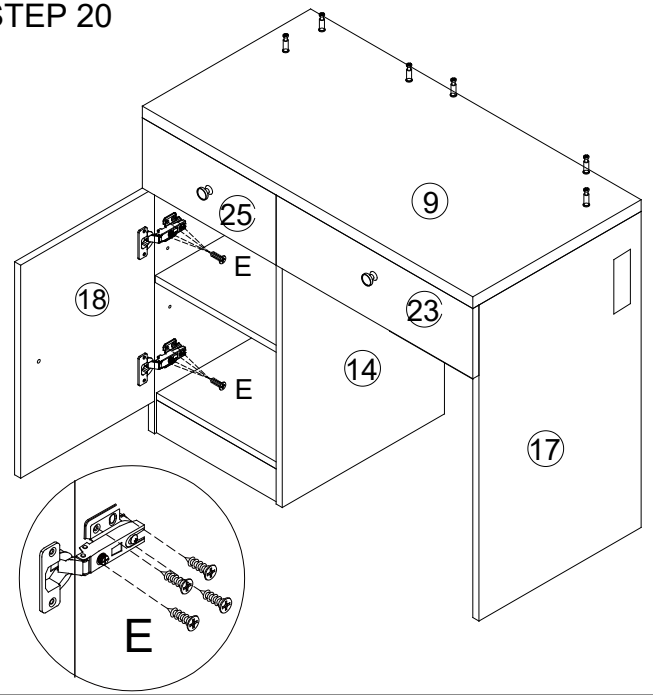
STEP 18



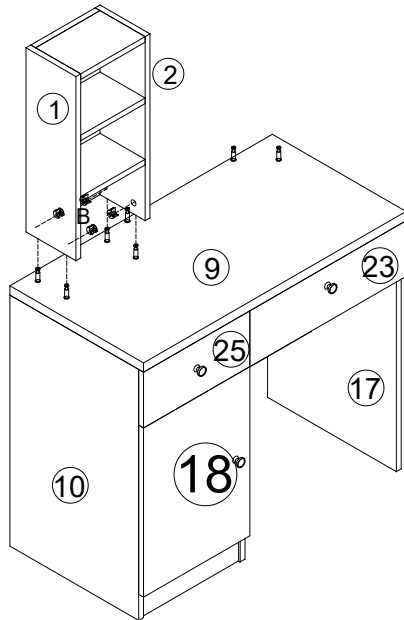
STEP 19



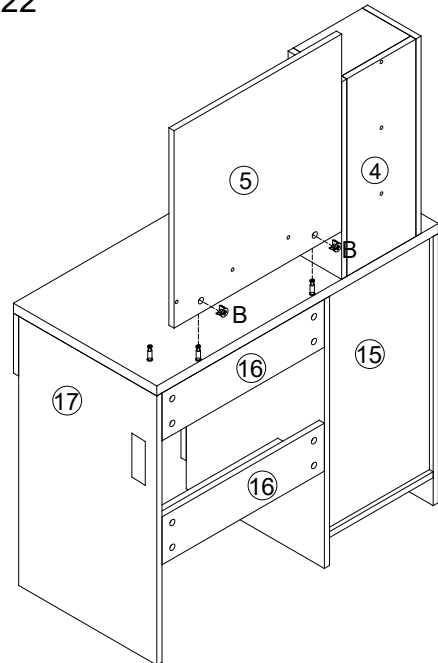
STEP 20



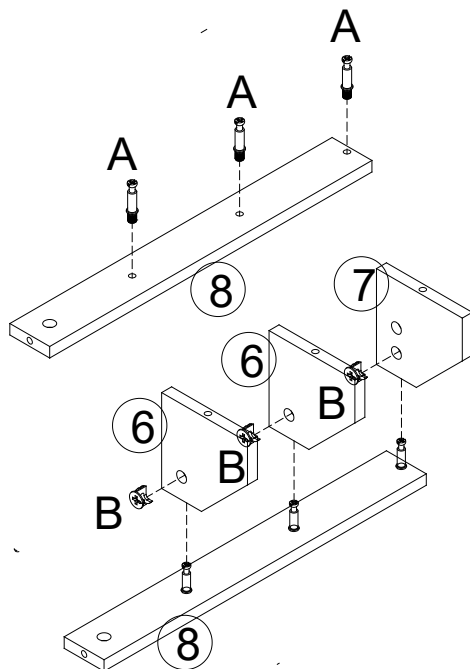
STEP 21



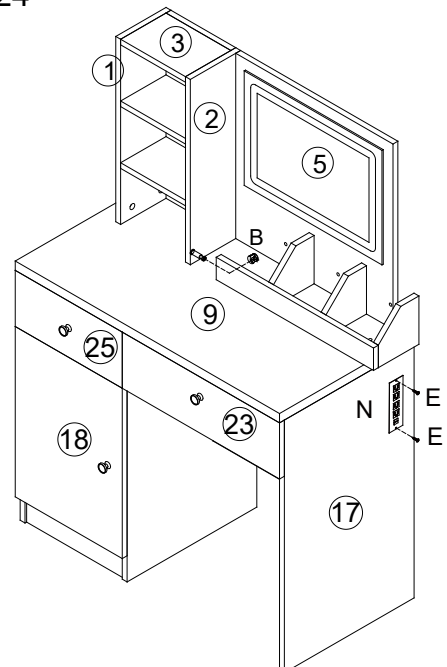
STEP 22



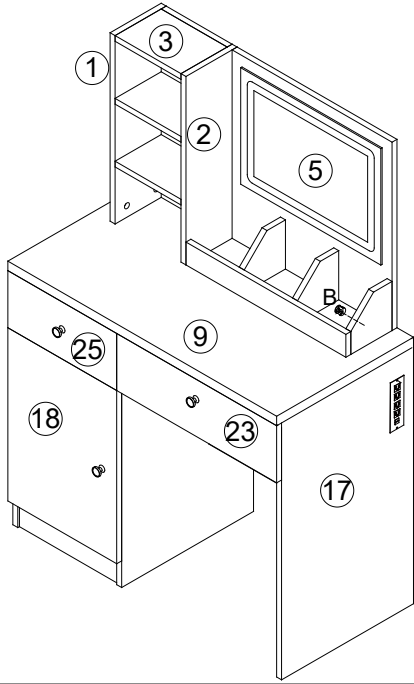
STEP 23



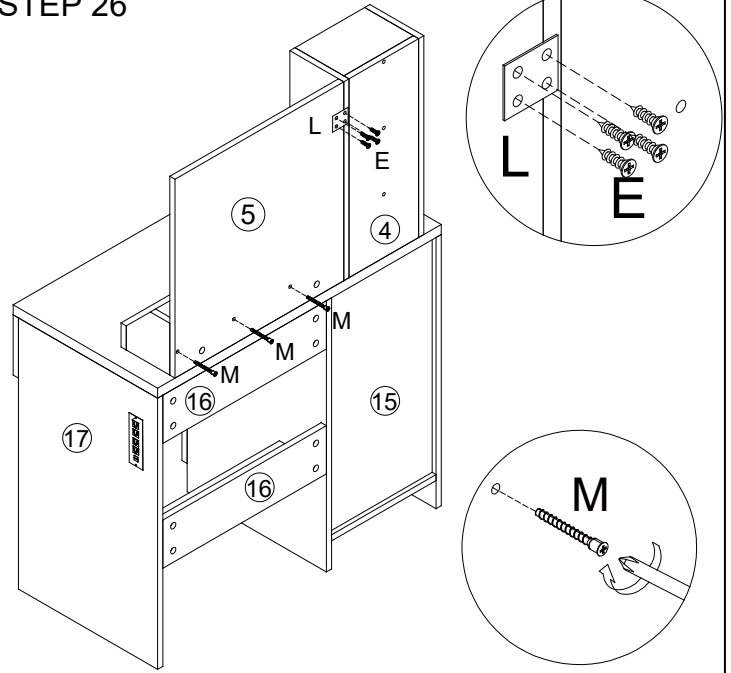
STEP 24



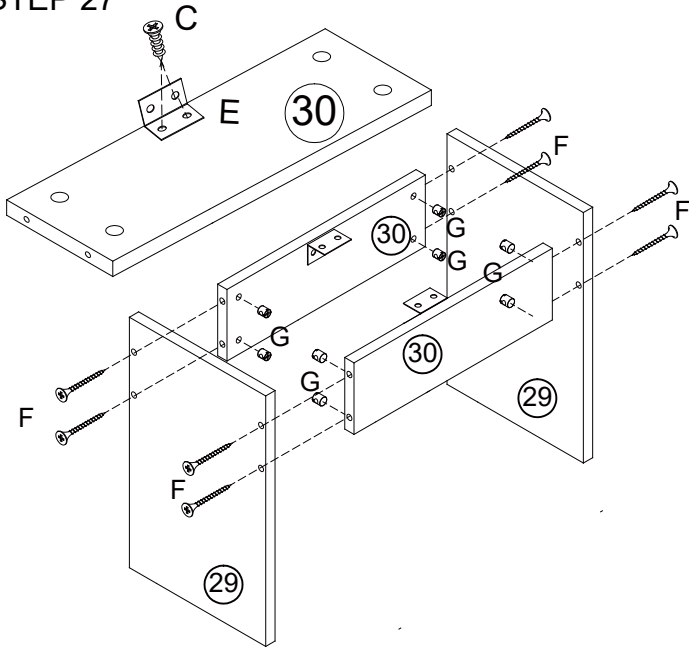
STEP 25



STEP 26



STEP 27



STEP 28

