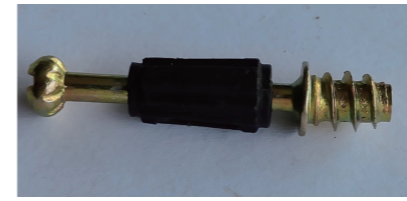


ASSEMBLY INSTRUCTION



Ax110



Bx110



Cx14



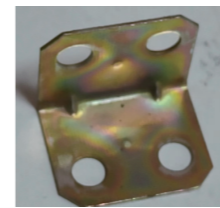
Dx10



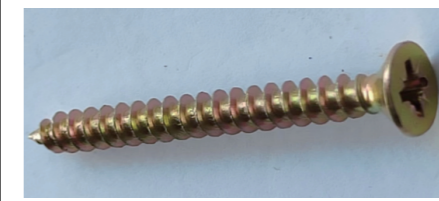
Ex16



Fx5



Hx2



Jx11



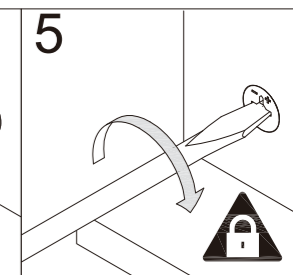
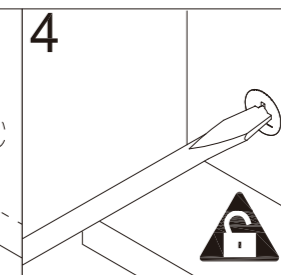
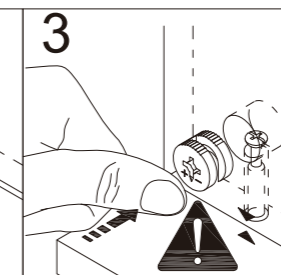
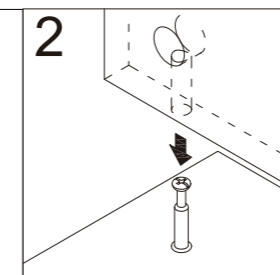
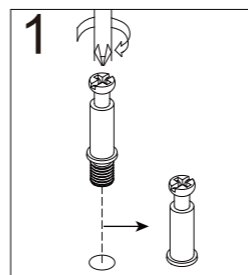
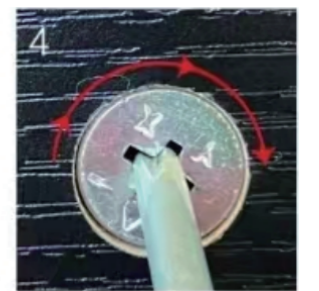
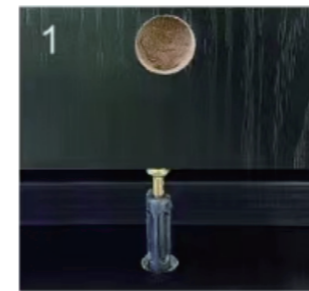
Kx11



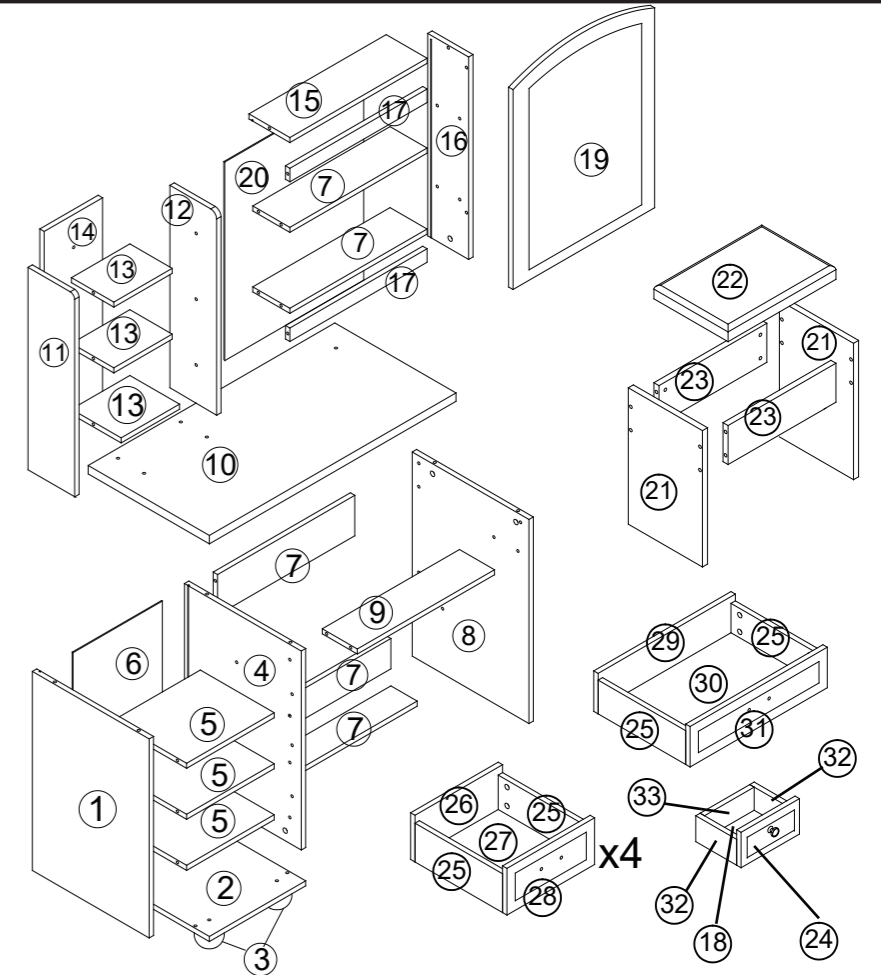
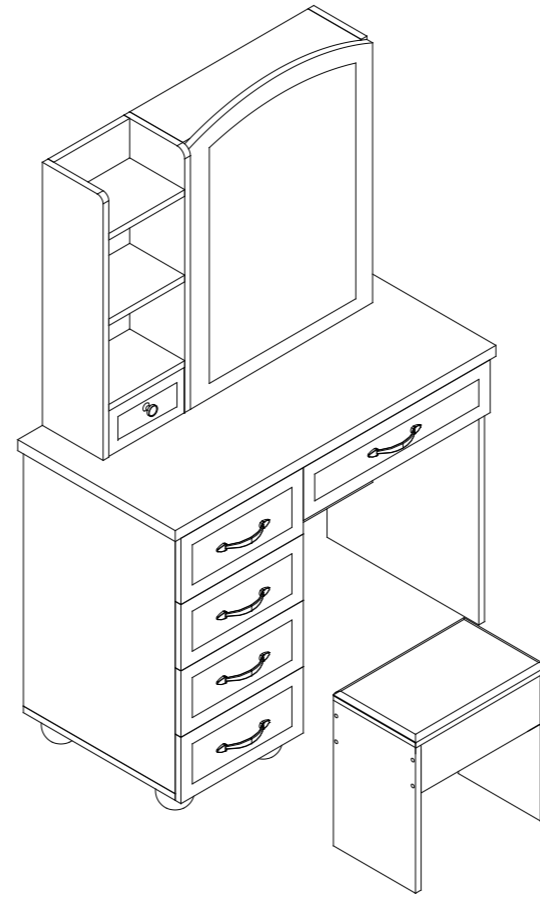
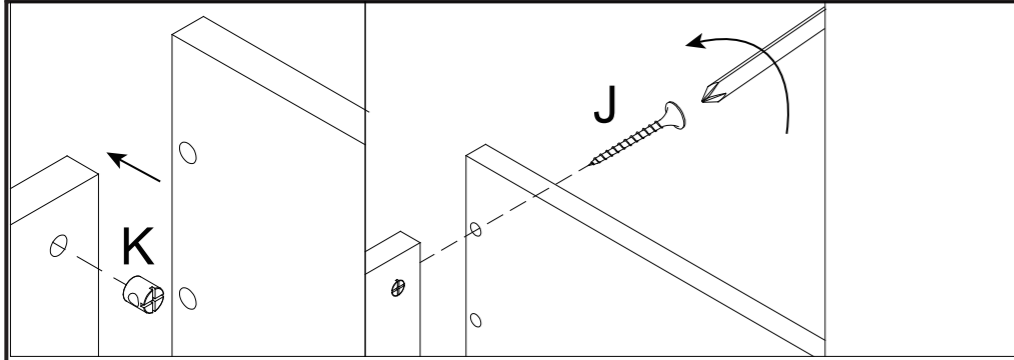
Lx2



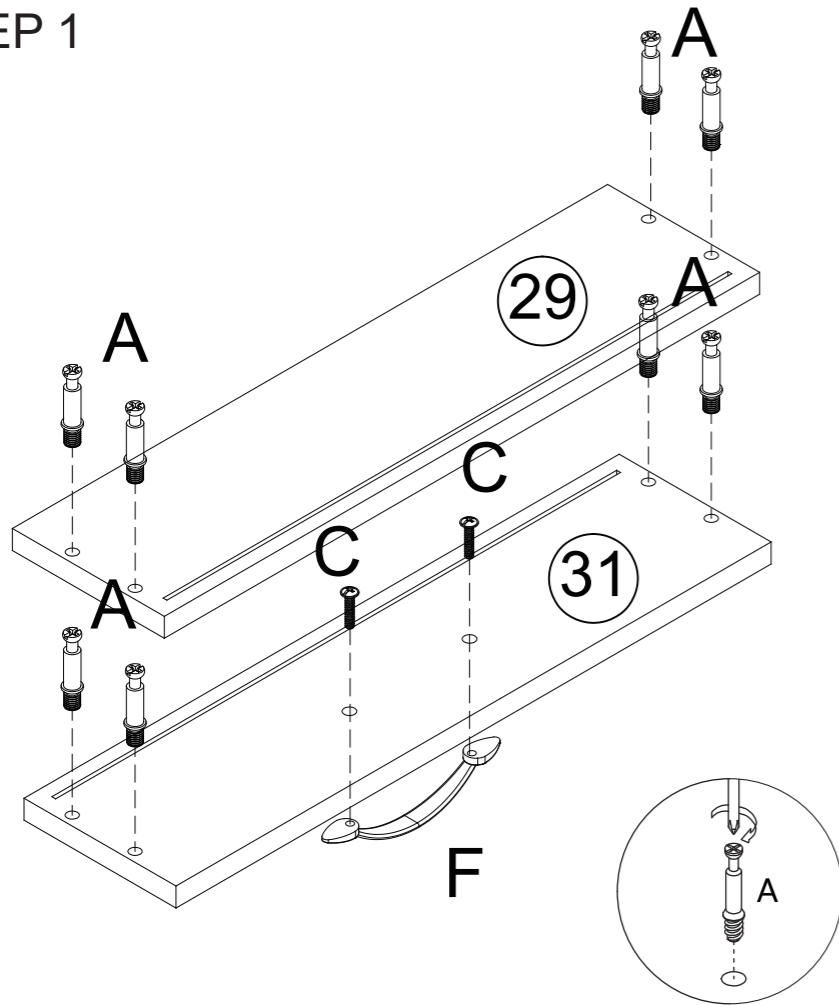
Mx1



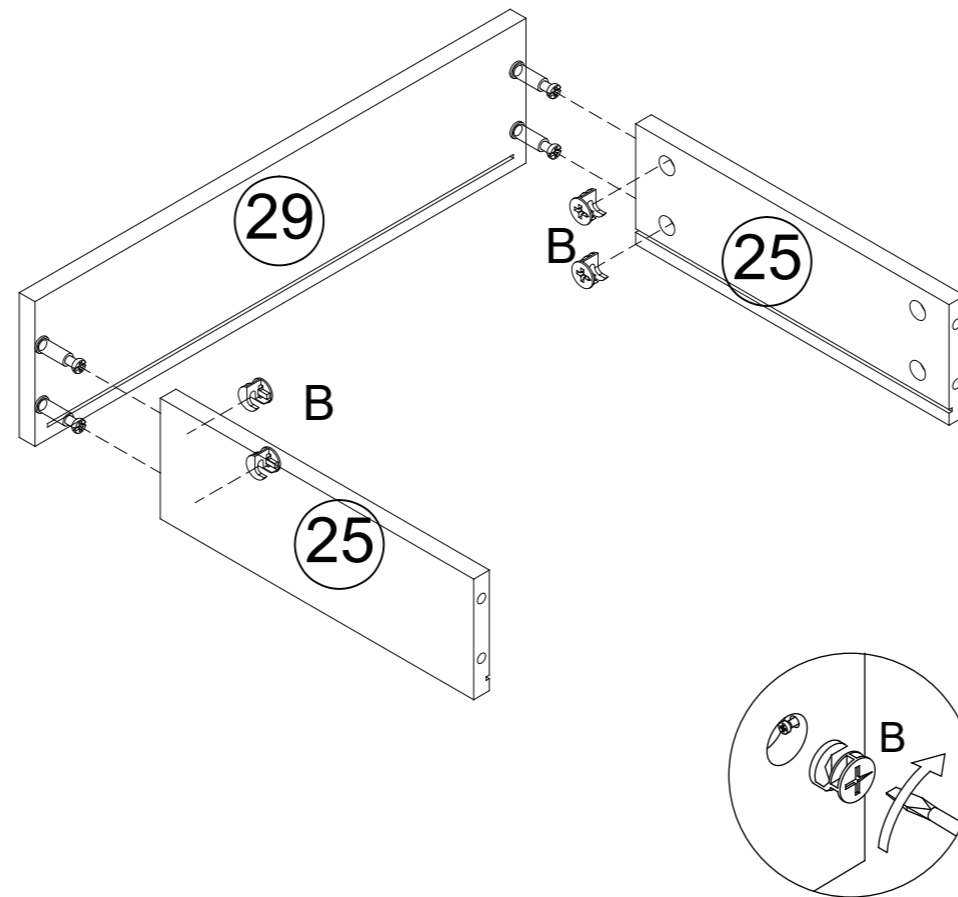
ASSEMBLY INSTRUCTION



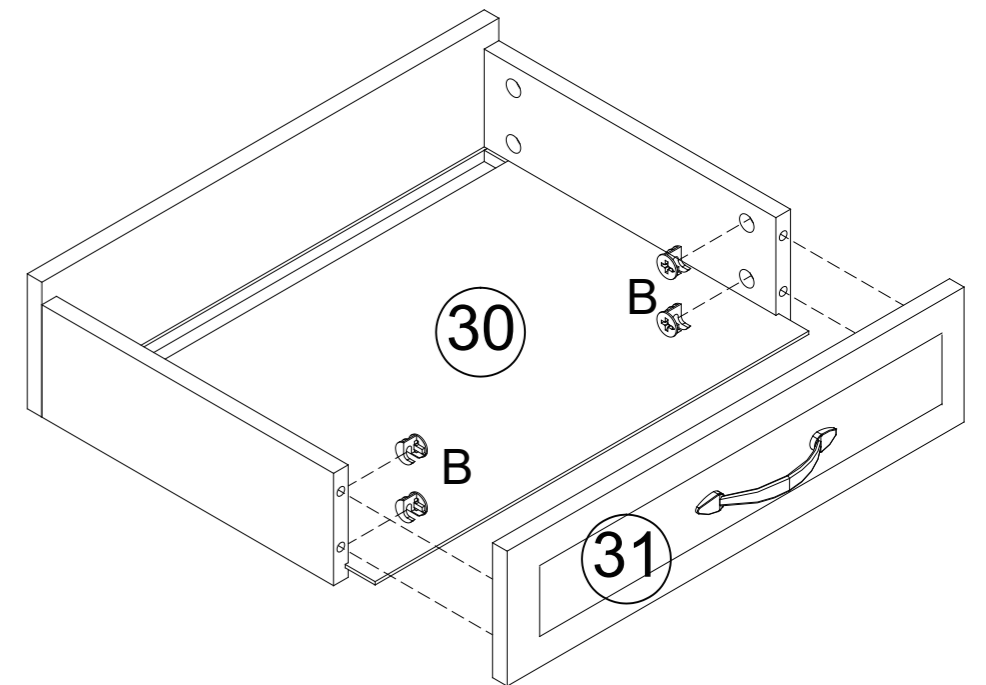
STEP 1



STEP 2

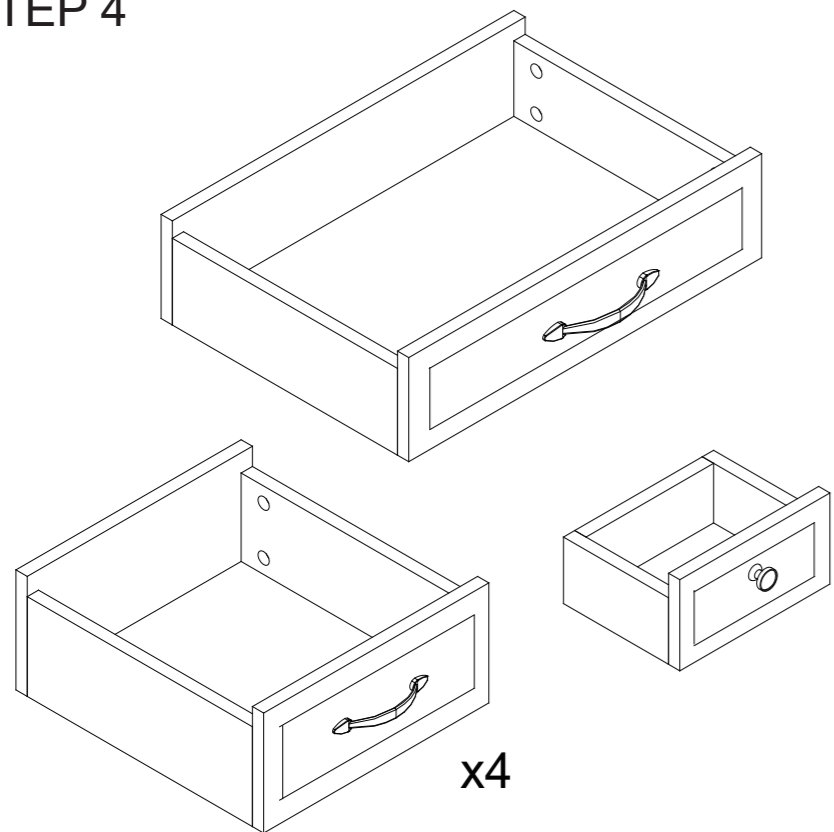


STEP 3



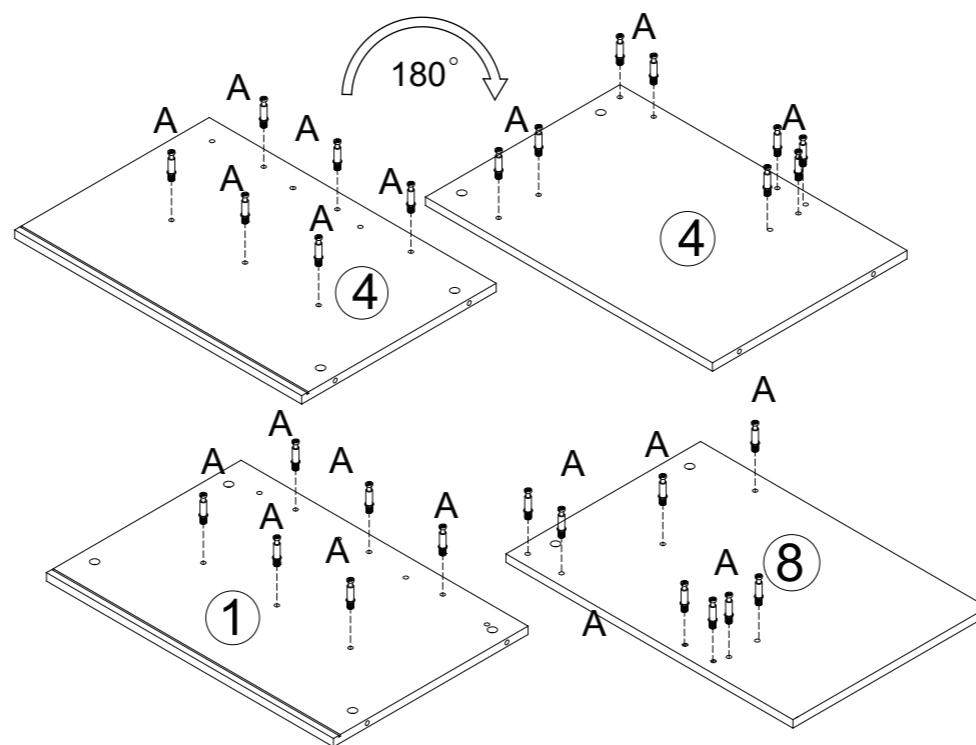
ASSEMBLY INSTRUCTION

STEP 4

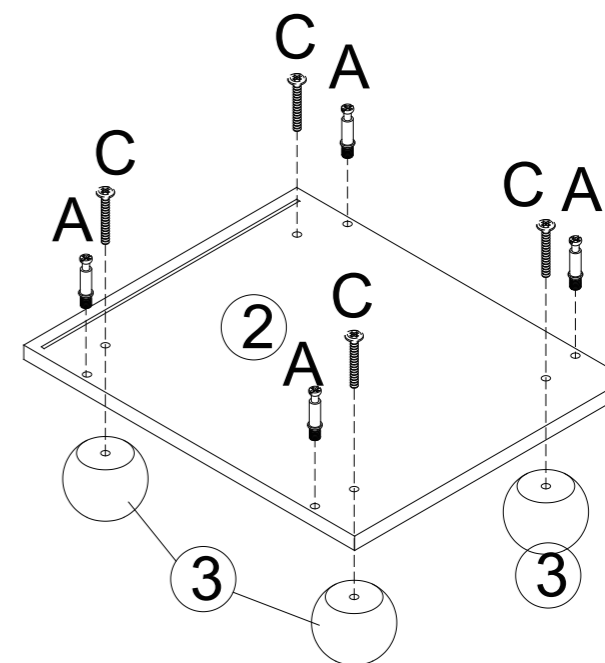


Three drawers are installed in the same way

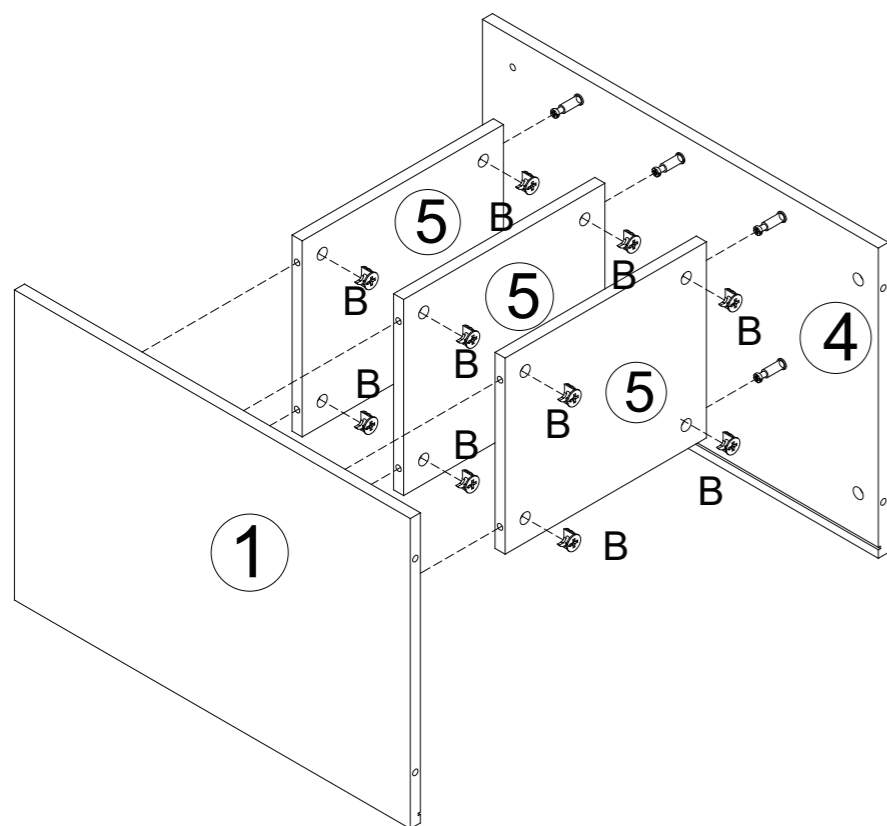
STEP 5



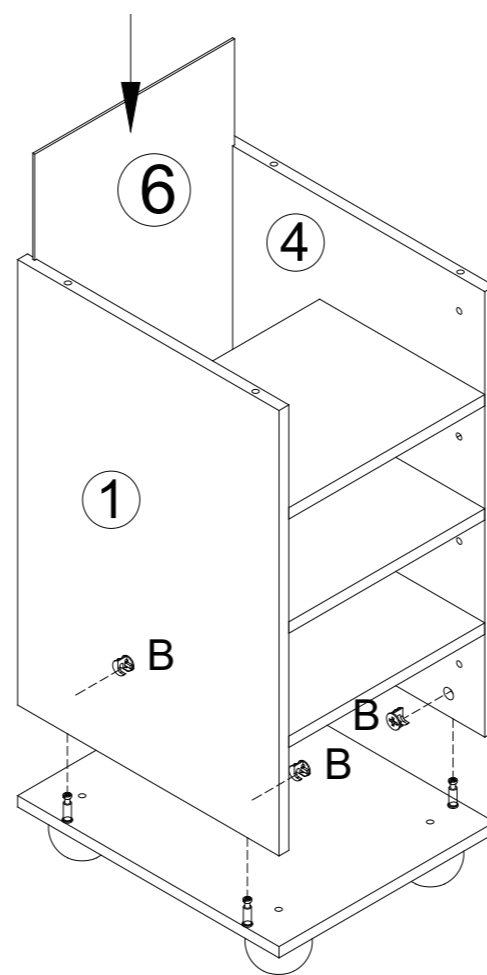
STEP 6



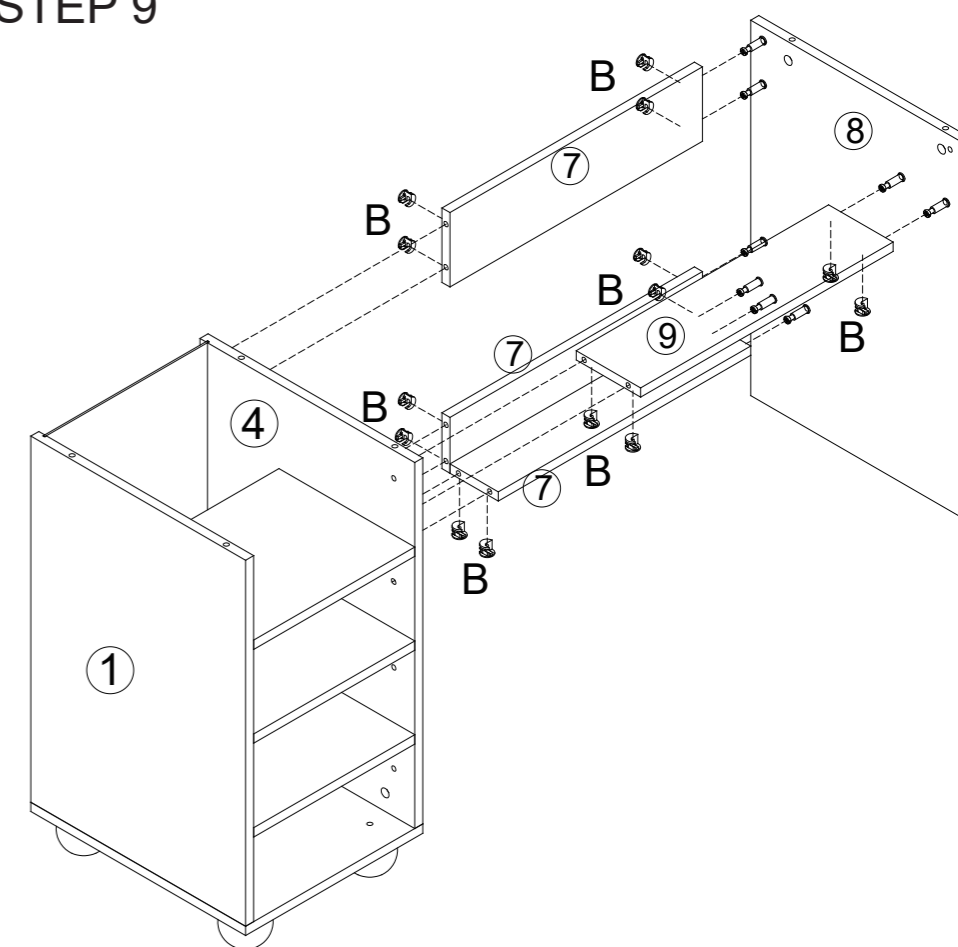
STEP 7



STEP 8

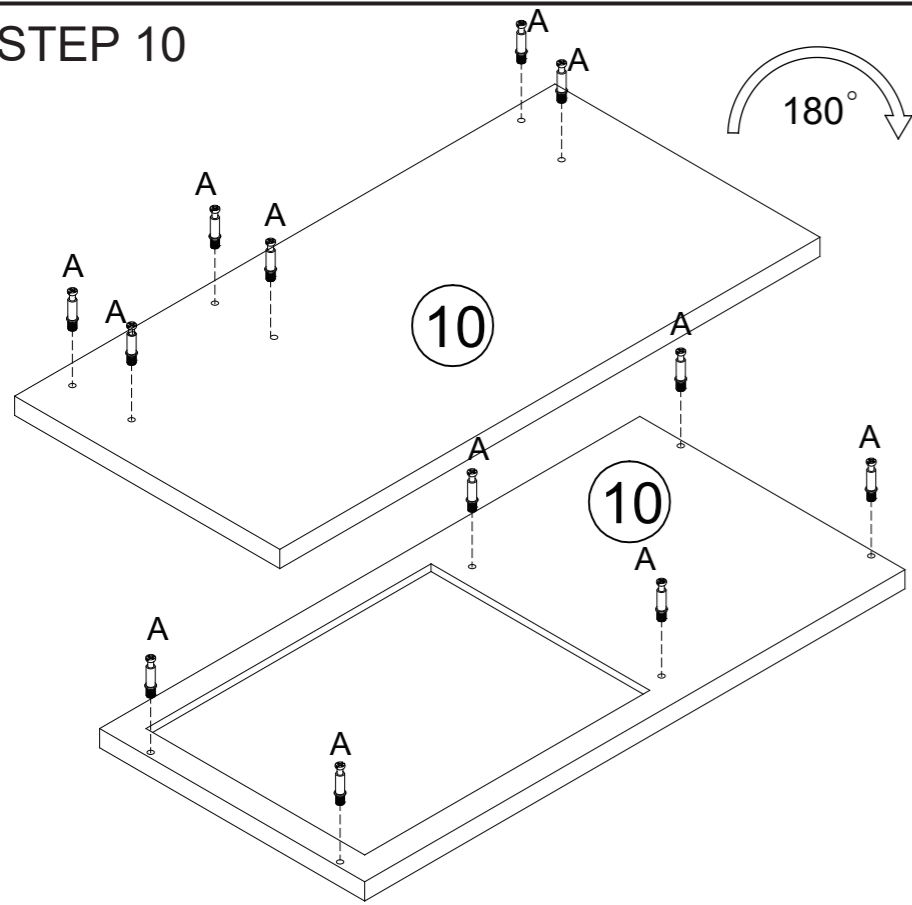


STEP 9

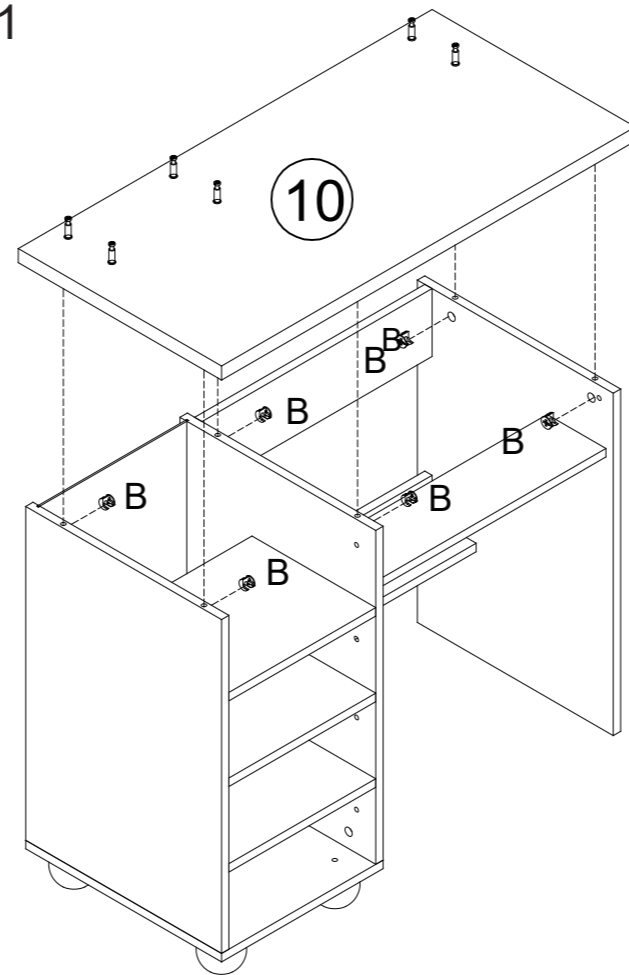


ASSEMBLY INSTRUCTION

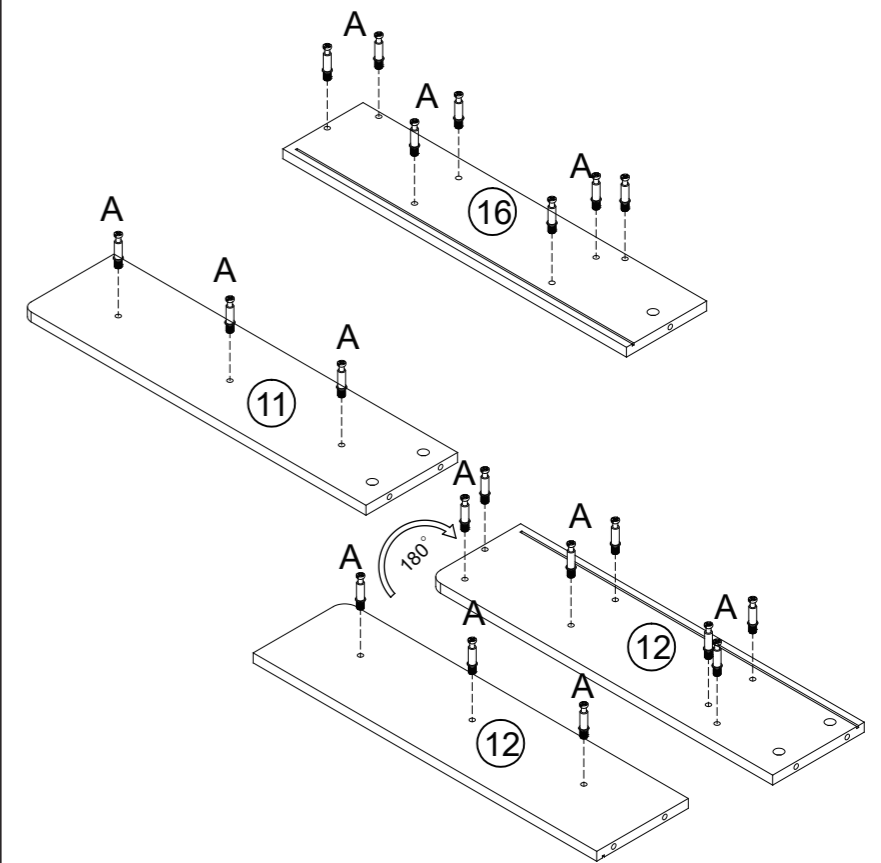
STEP 10



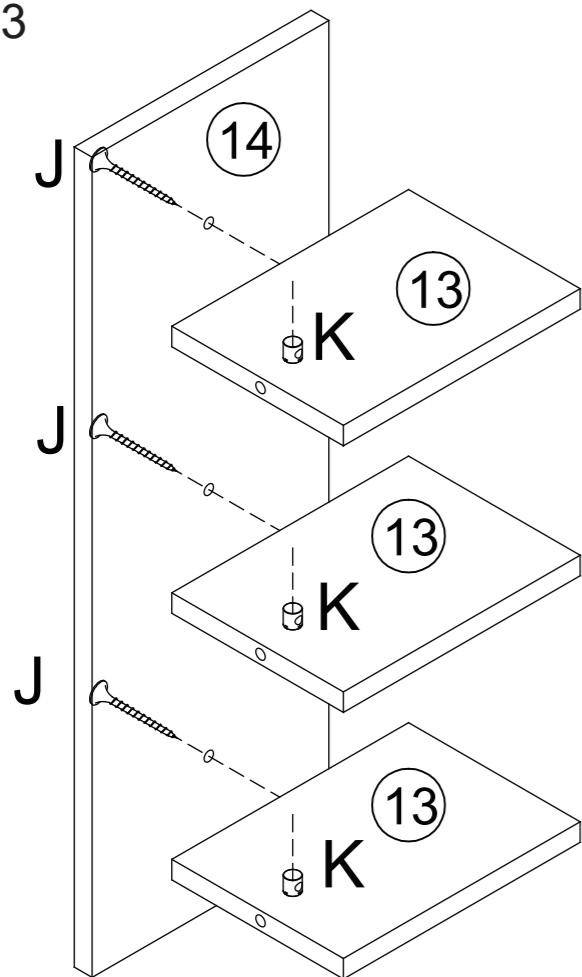
STEP 11



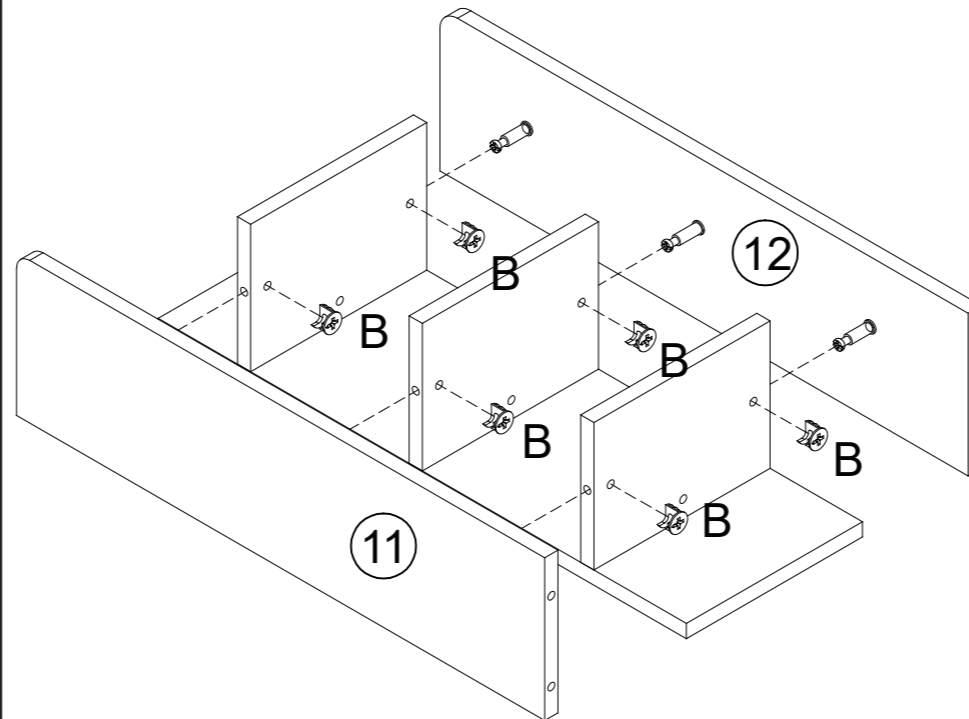
STEP 12



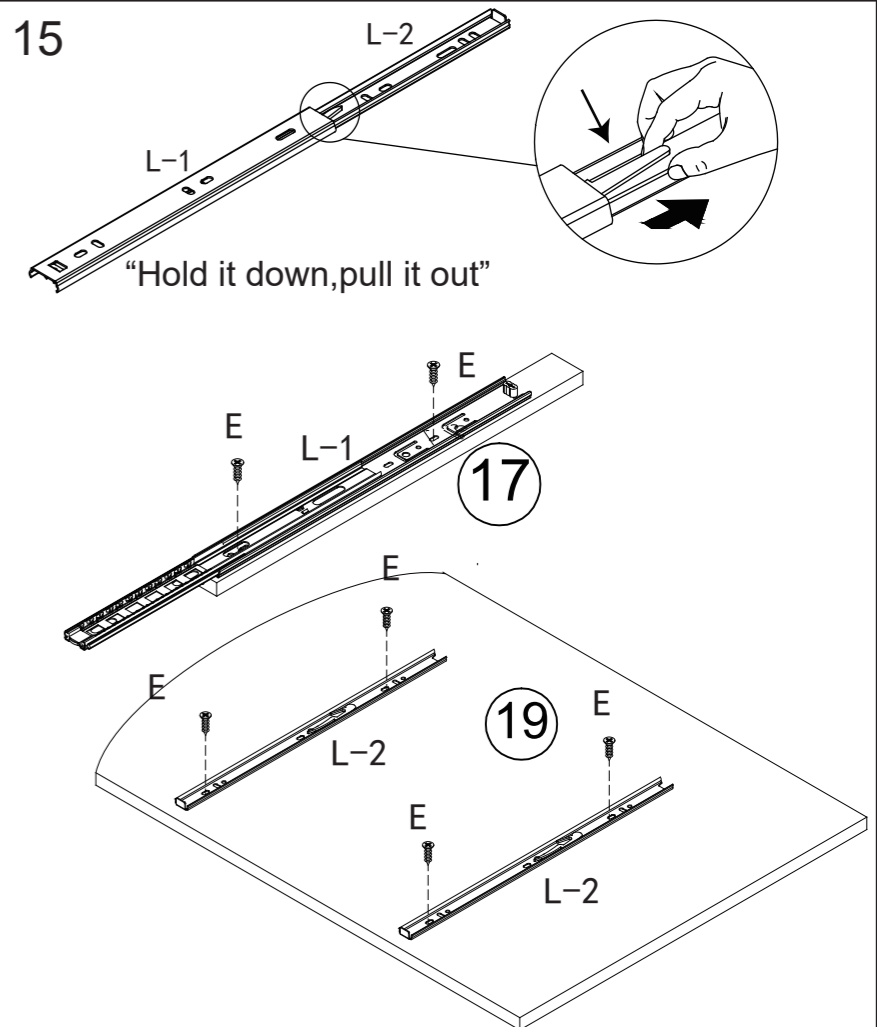
STEP 13



STEP 14

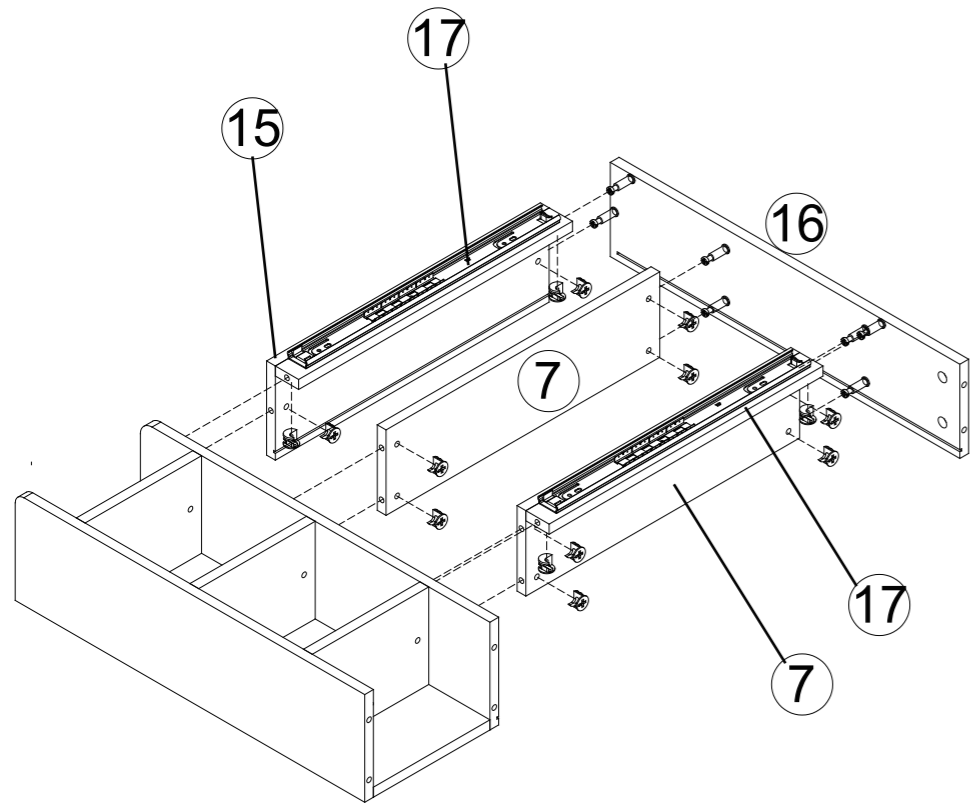


STEP 15

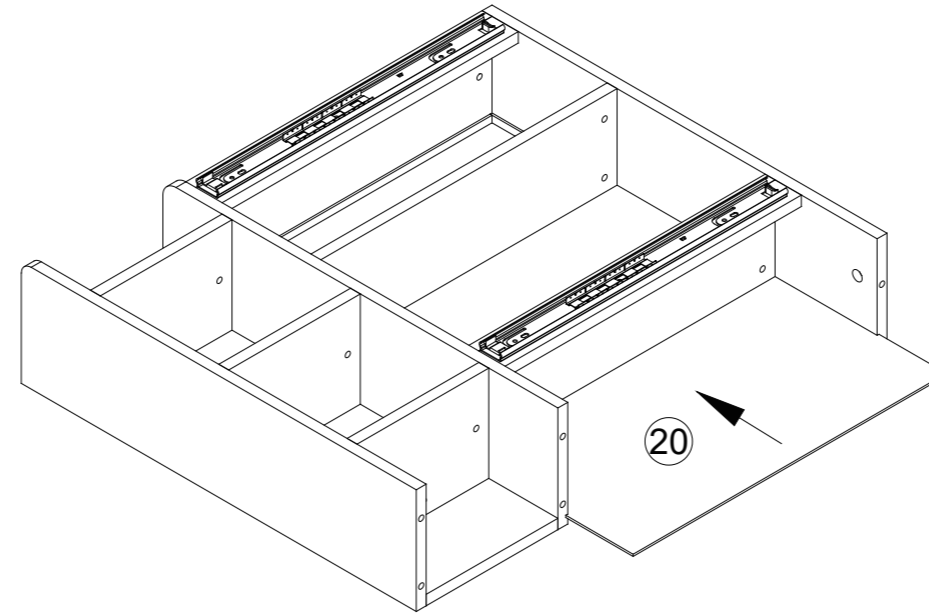


ASSEMBLY INSTRUCTION

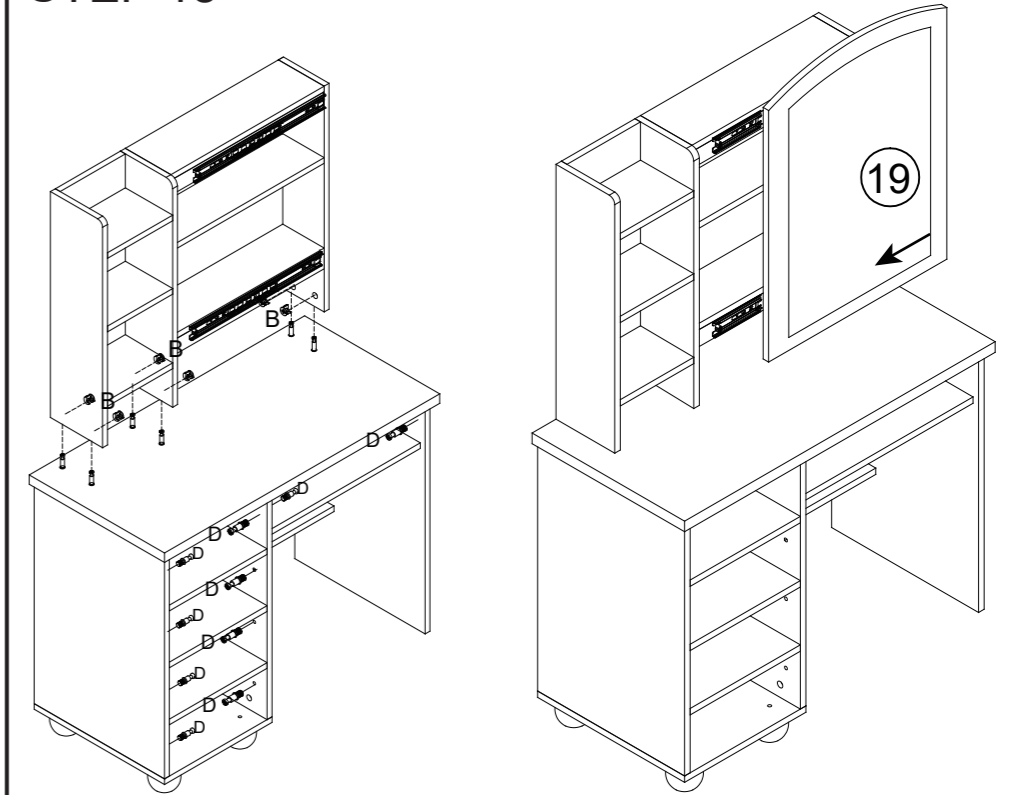
STEP 16



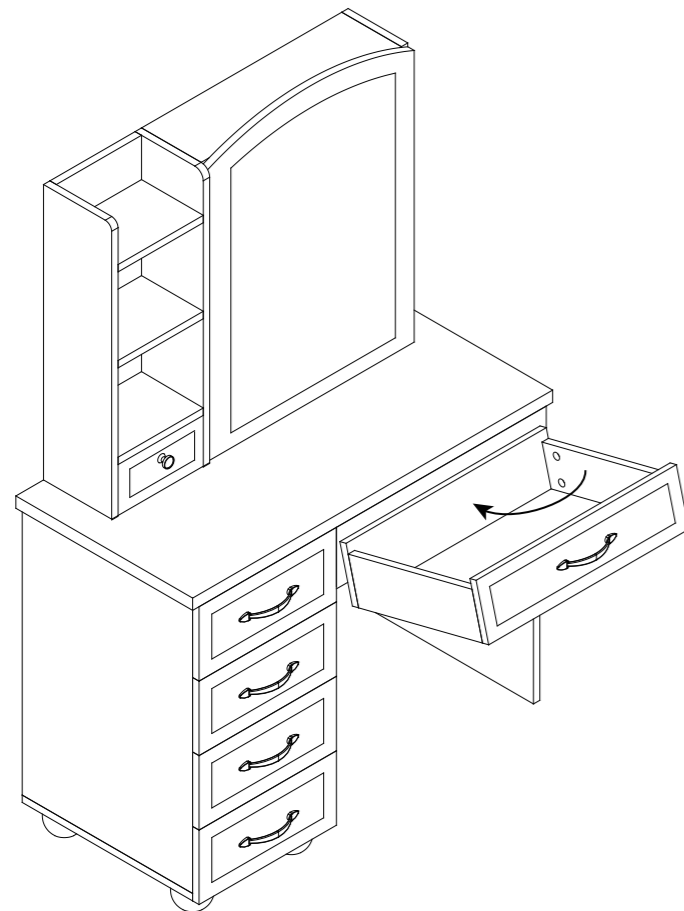
STEP 17



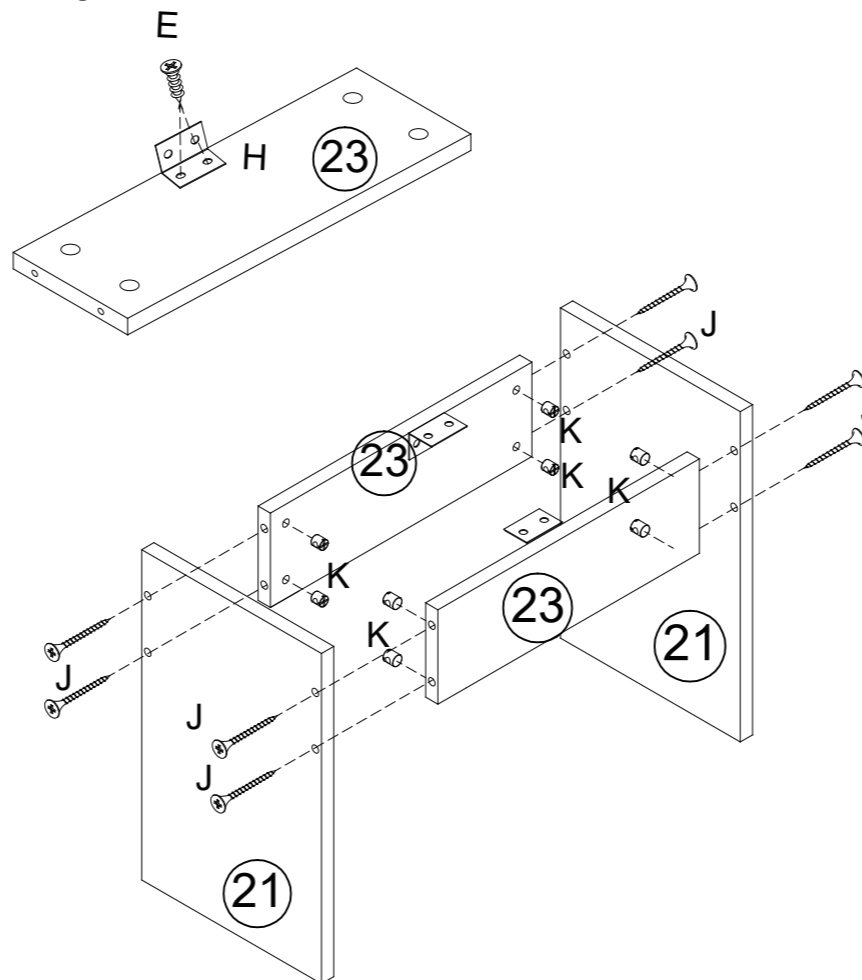
STEP 18



STEP 19



STEP 20



STEP 21

