

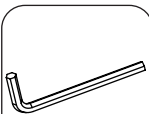
Step 10

If you bought two dog crates and want to stack them, please connect one with another using ⑦ and ⑧.

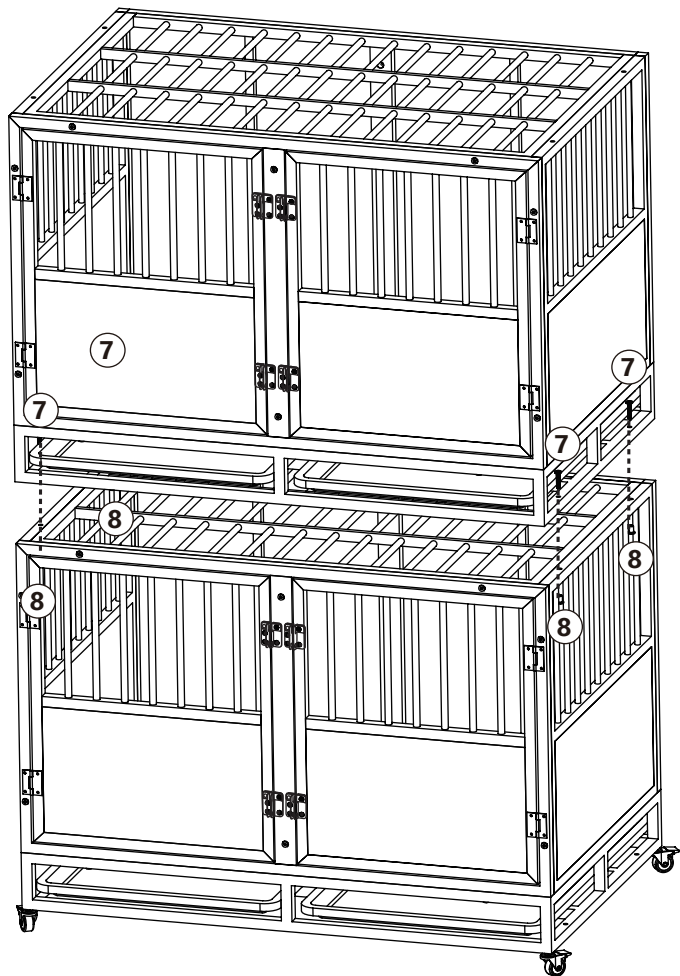
⑦ x 4



⑧ x 4

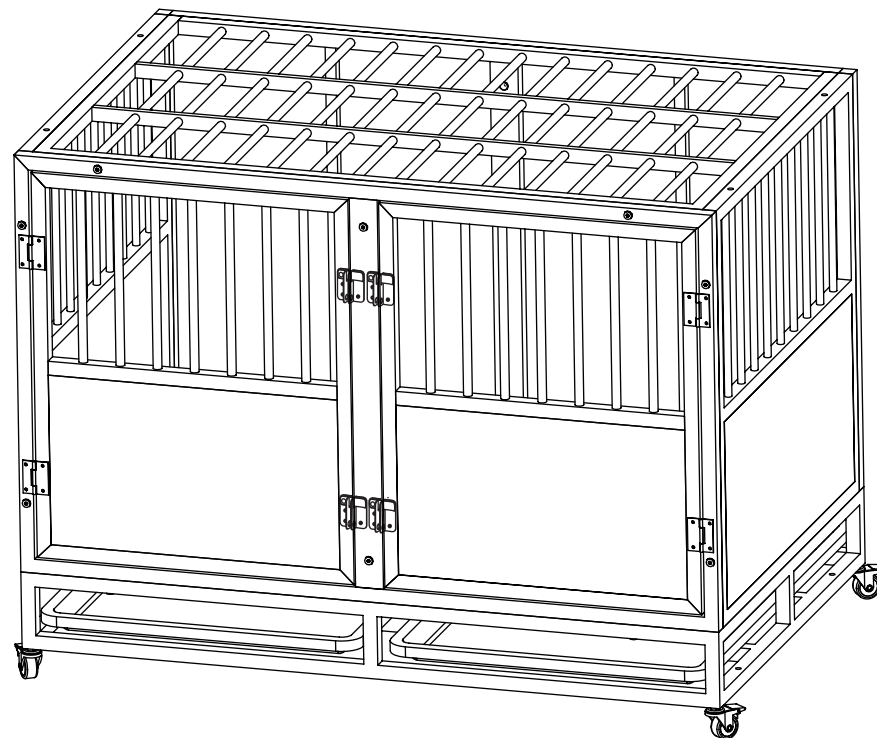


x 2



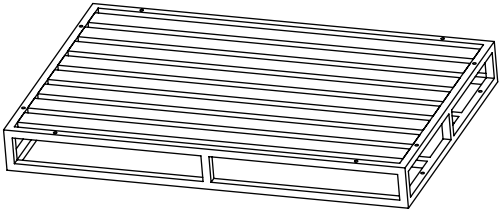
USER'S MANUAL

Dog Crate

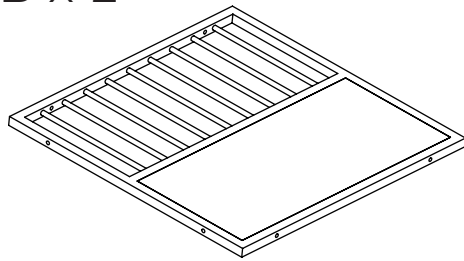


Parts List

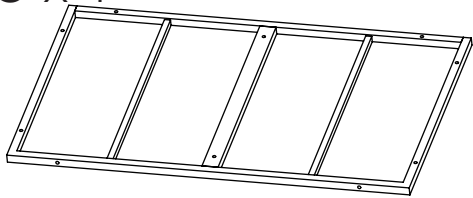
A x 1



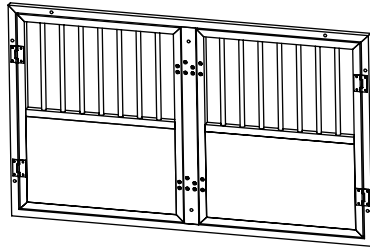
B x 2



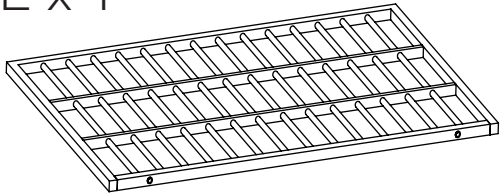
C x 1



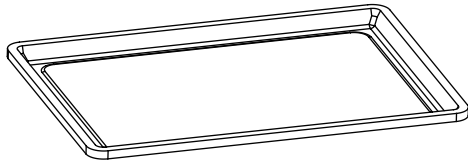
D x 1



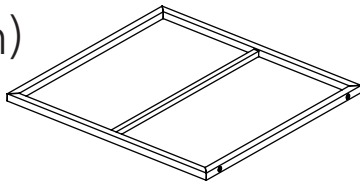
E x 1



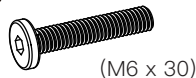
F x 2



G x 1 (Option)



4 x 4



(M6 x 30)

Accessory

1 x 16



(M4 x 12)

2 x 8



(M6 x 12)

3 x 8



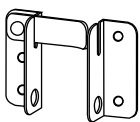
(M6 x 15)

4 x 20

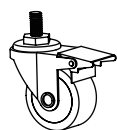


(M6 x 30)

5 x 4



6 x 4



7 x 4



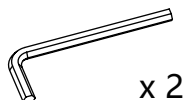
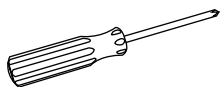
(White)
(M6 x 35)

8 x 4



(White)
(M6 x 12)

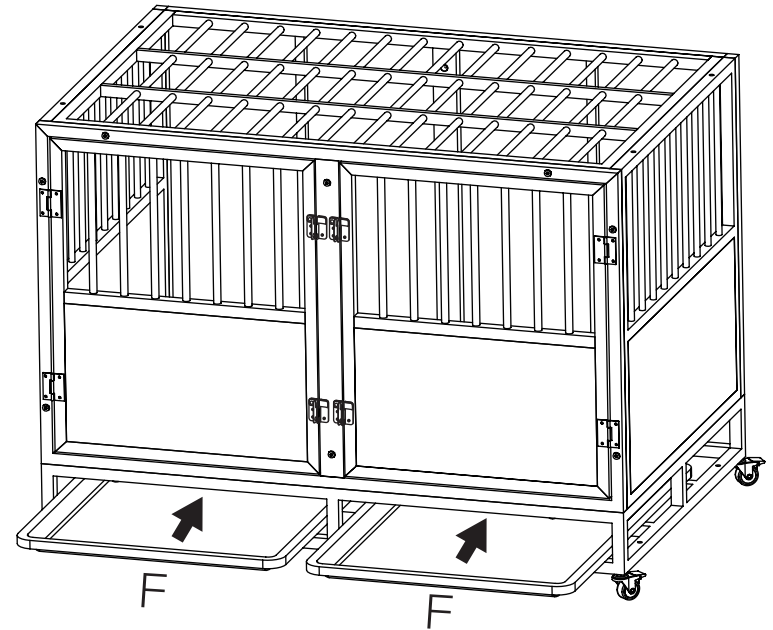
TOOLS



x 2

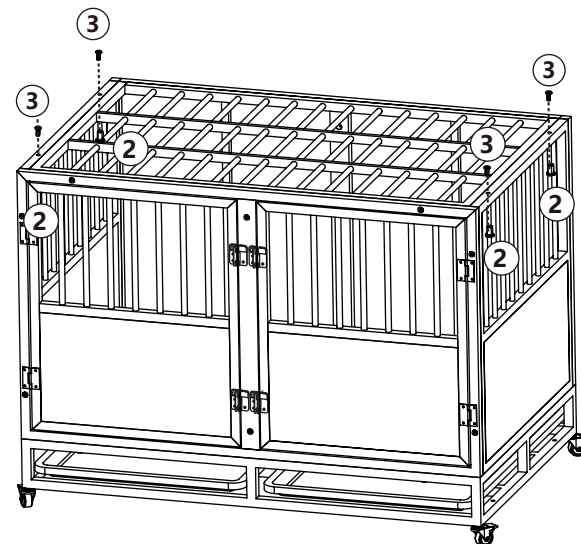


Step 8



Step 9

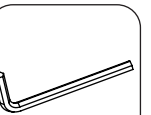
If you bought one dog crate or just don't want to stack the dog crates, you could use ② and ③ to fill in these 4 holes.



② x 4

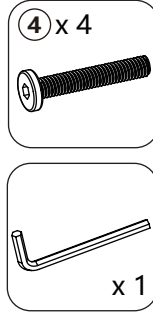
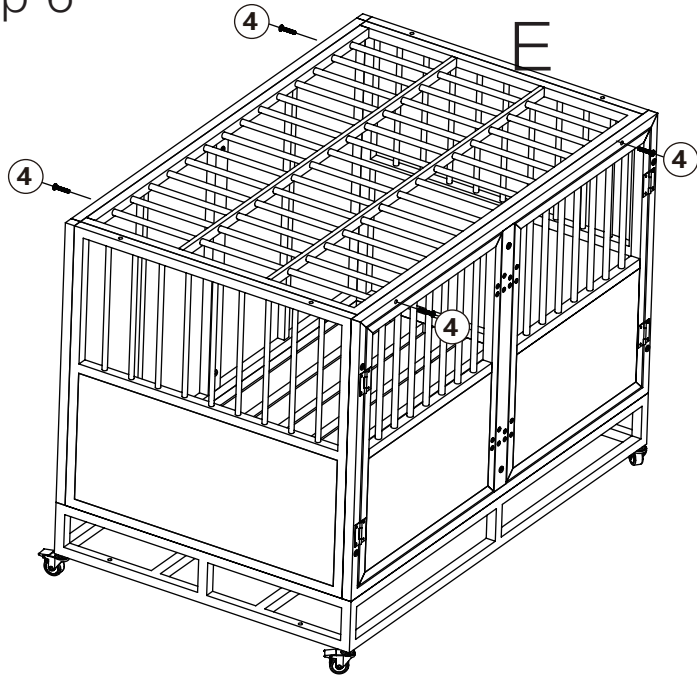


③ x 4

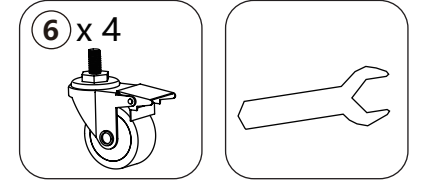
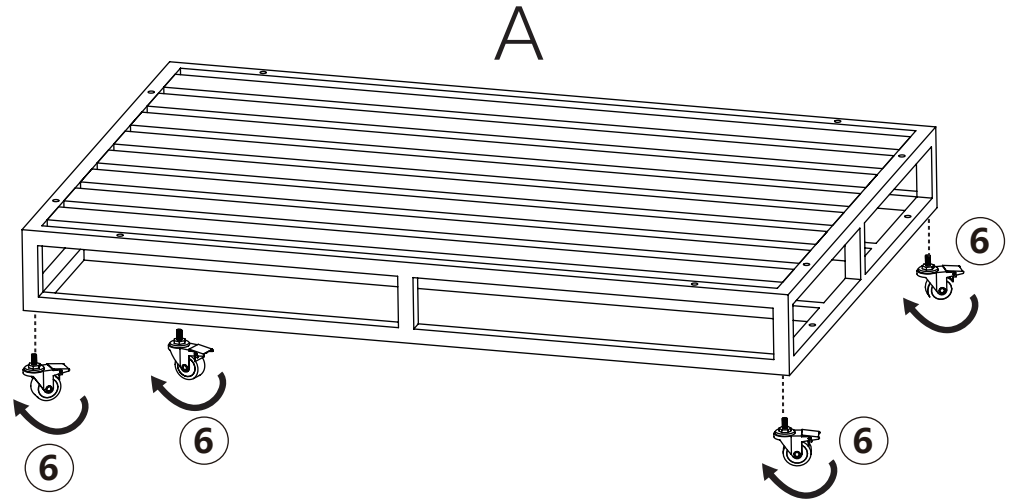


x 2

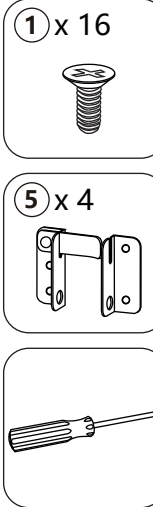
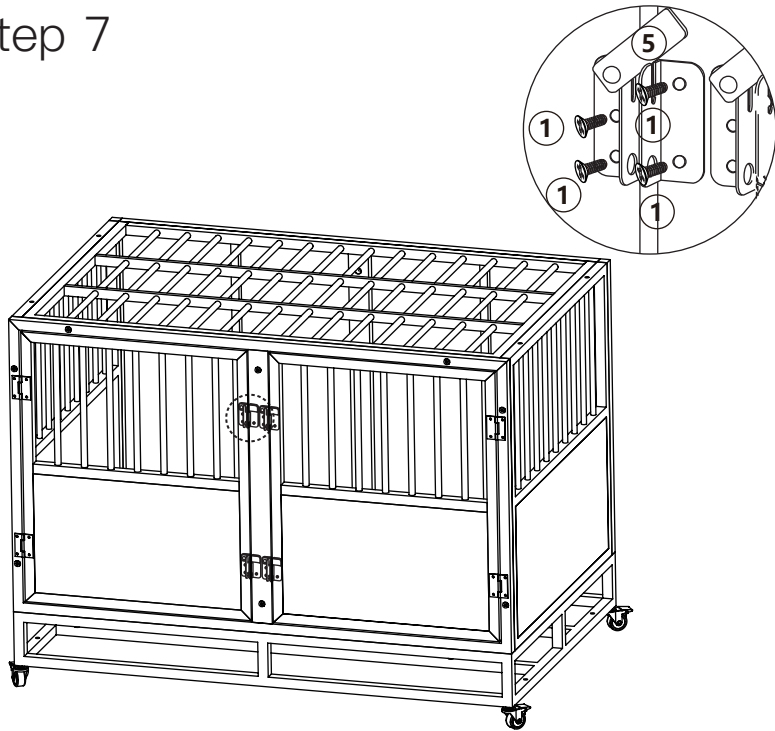
Step 6



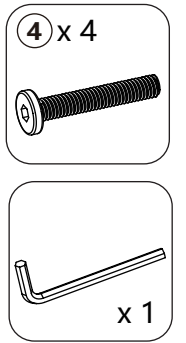
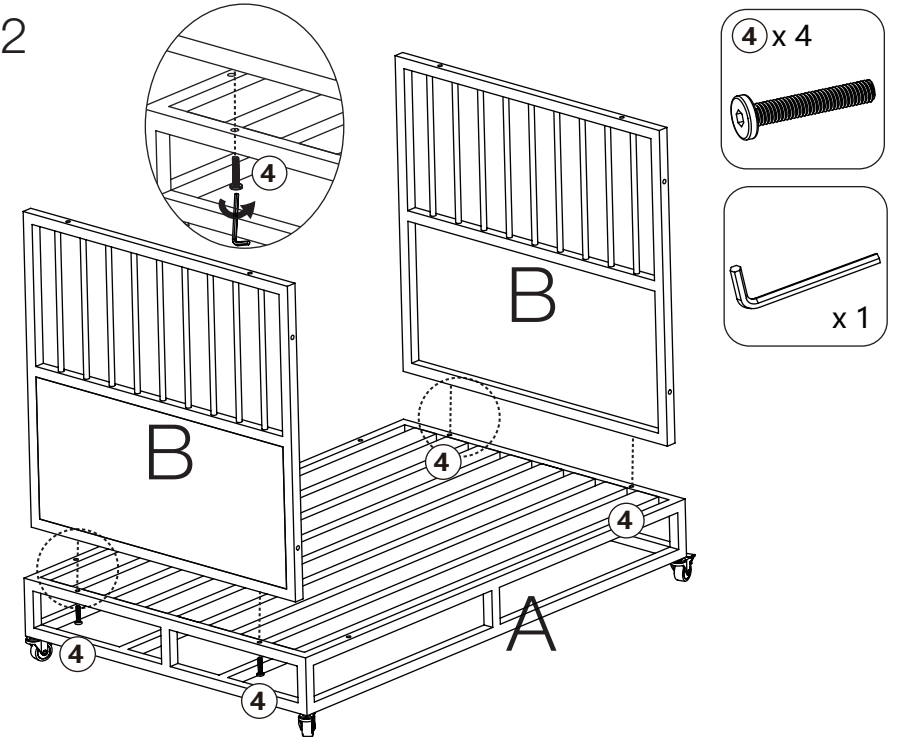
Step 1



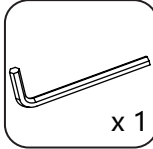
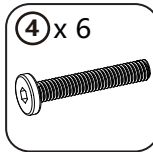
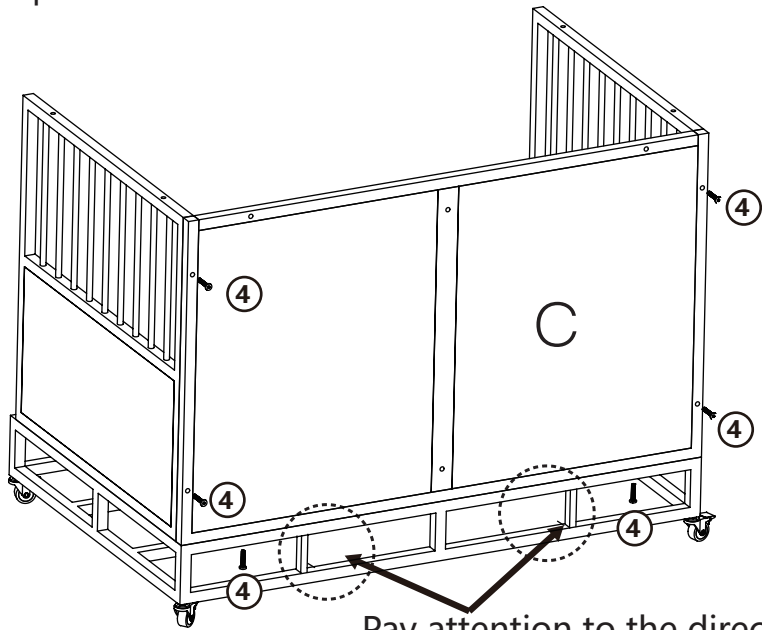
Step 7



Step 2

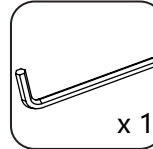
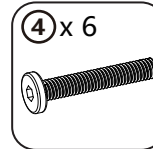
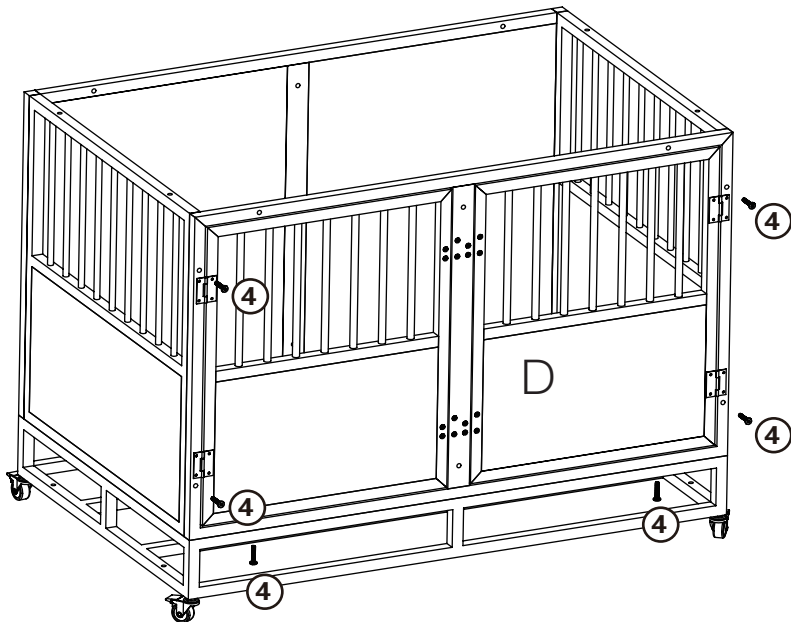


Step 3

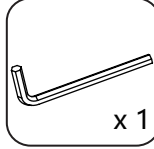
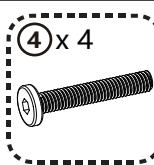
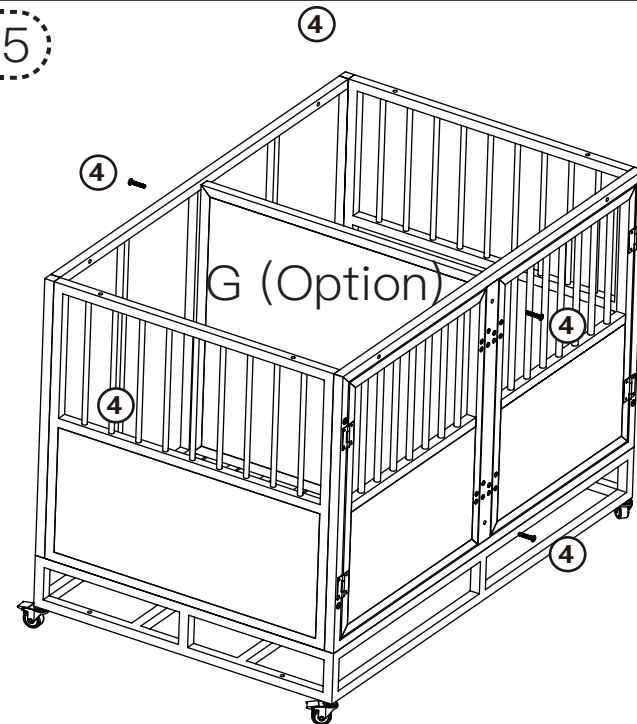


Pay attention to the direction of A

Step 4



Step 5



Step 5

If you did not purchase the divider panel, please use ② and ③ to fill in these 4 holes that are used to install the divider panel for better appearance.

