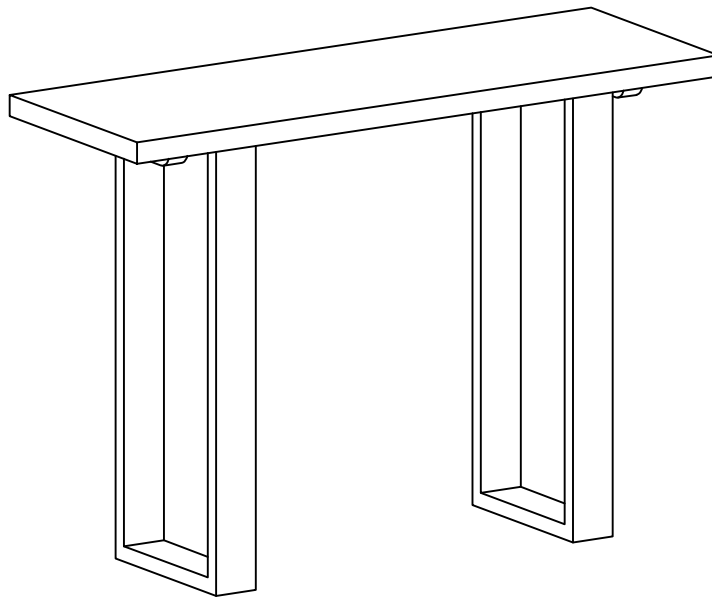


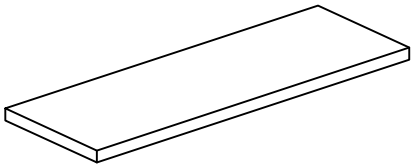
Assembly Instructions

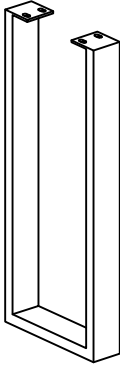
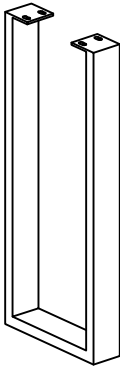
Caution : You must read this before you proceed

CONSOLE TABLE

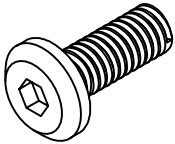



Part list

Label	Picture	Description	QTY
A		Wooden Table Top	1

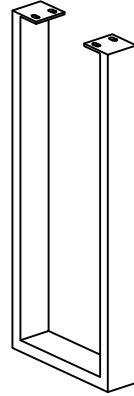
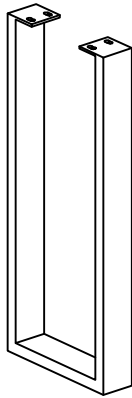
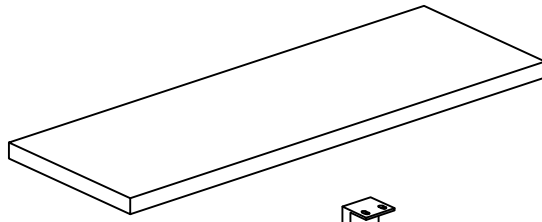
Label	Picture	Description	QTY
B		Right - Leg Frame	1
C		Left - Leg Frame	1

Hardware

Label	Picture	Description	QTY
①		Flat Head Allen Bolt (M5 x 30mm)	9
②		Allen Key (5 mm)	1

Assembly preparation

Before beginning assembly



x9
Pcs.



x1
Pcs.



Read instructions, cover to cover-



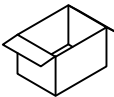
Have 2 adults on hand for assembly-



Do not assemble on flooring or carpet-



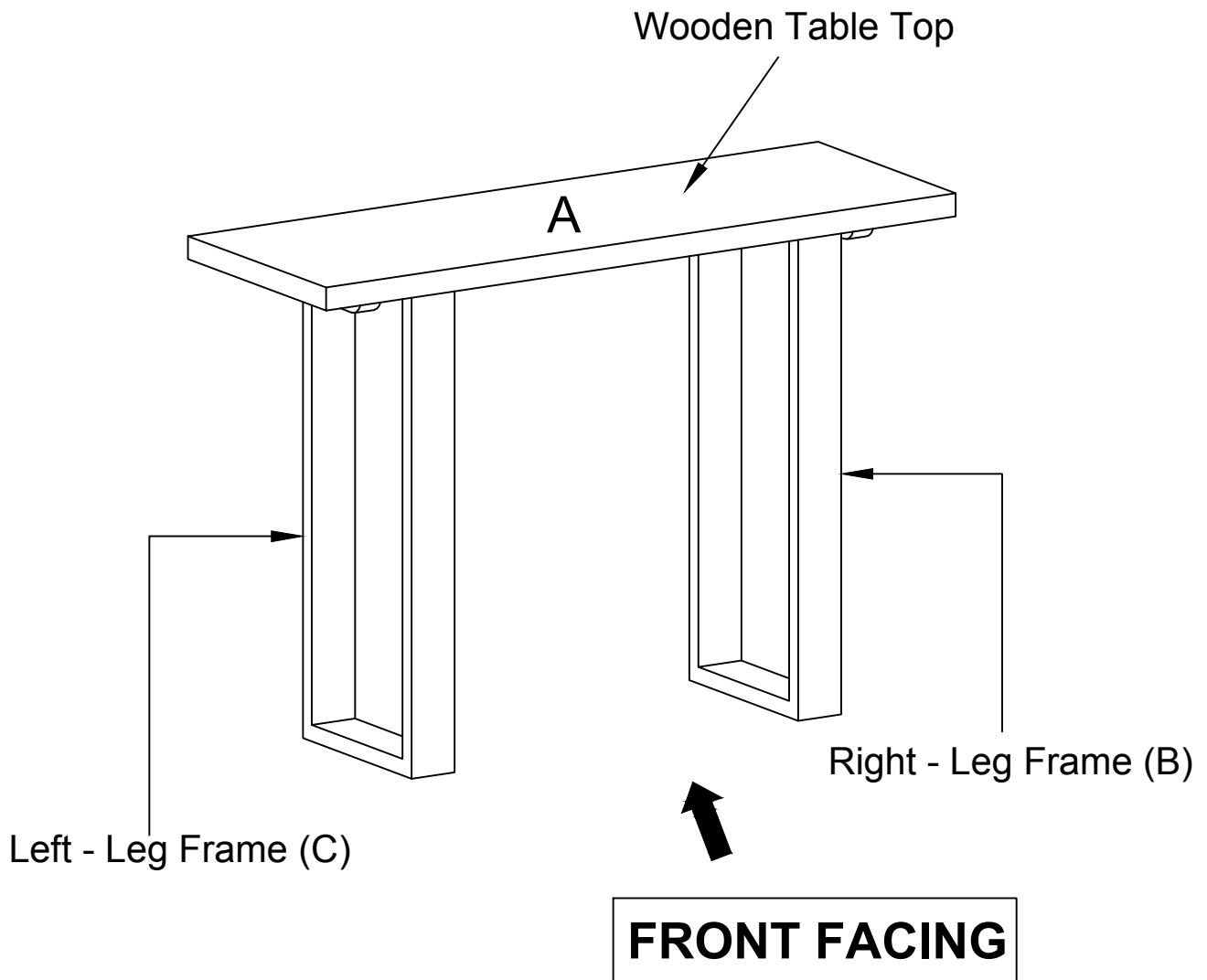
Assemble on a clean, non-marring surface (packing foam)-



Save all packaging until finished-

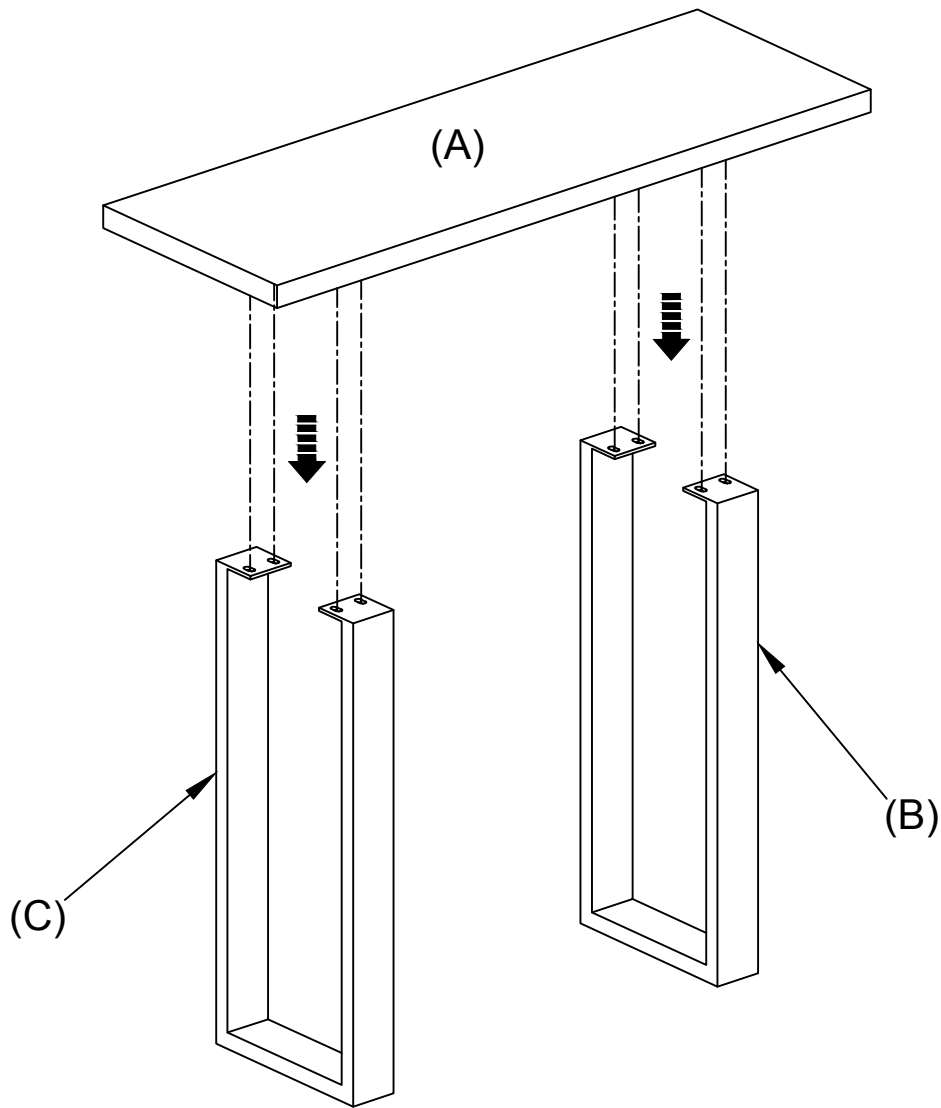
Assembly Steps

Overview



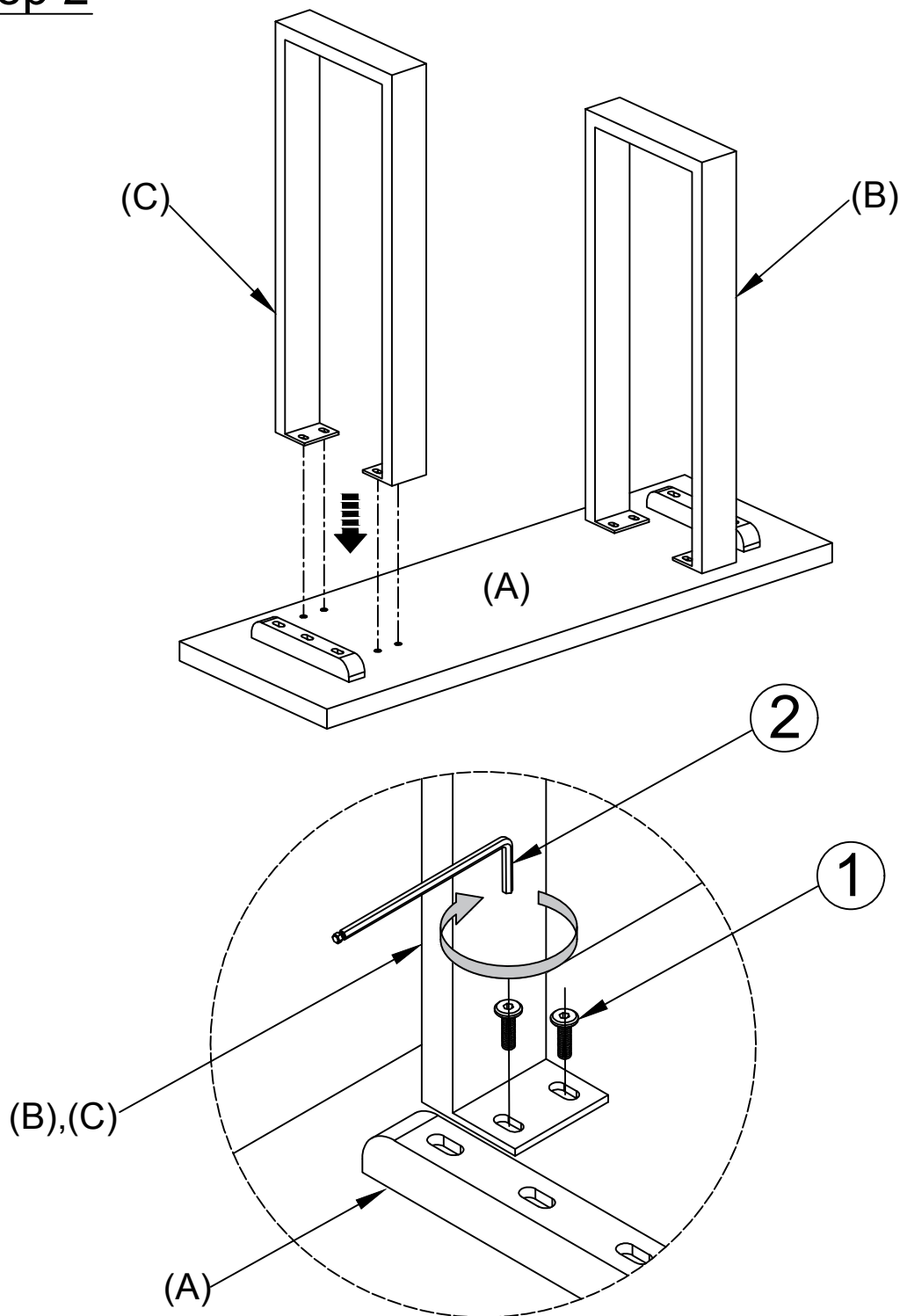
This Console Table has multiple parts and may require up to 30 minutes to assemble. To give you an overview of the Console Table parts, the picture above will help you, to put the various parts into perspective. Please read through the instructions below, to familiarize the parts and steps before assembly.

Step 1



Unpack and place all parts on a clean, non-marring surface.

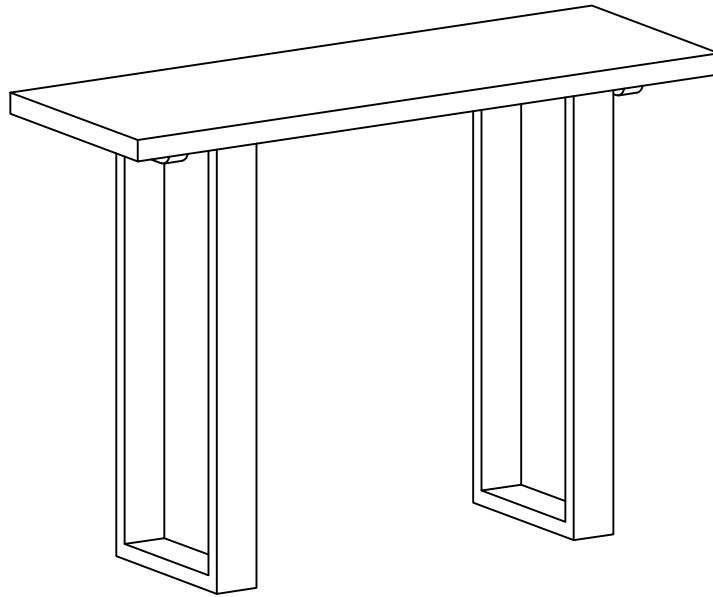
Step 2



Place the Table top (A) from the bottom side with clean, soft surface to avoid any scratches or damages to the product.
Align the Right - Leg Frame (B) as shown above. Then, affix the Table top (A) with Right - Leg Frame (B) using Screws (①) and Allen Key (②).
Repeat the same step to attached Left Iron Stand (C) to the Table Top (A).

DO NOT FULLY TIGHTEN SCREWS.

Step 3














Turn the Console Table right side up. Inspect it and make sure all parts are adequately connected. Gently, push the Table top to check if its is wobbly. Once secured, in a sequential manner proceed to tighten all screws.

The Console Table is ready to be used.

Caution: This Console Table can only be used on flat, level surface.

Care & Maintenance

- ✓  • Furniture may scratch floors. We recommend using furniture pads to protect your floors.
- ⊘  • Do not put hot items directly on furniture surface
- ⊘  • Do not clean furniture with harsh cleansers or polish.
- ⊘  • Do not place furniture under direct sunlight.
- ⊘  • Do not place furniture near heating or cooling vents.
- ⊘  • Do not write on furniture without a passed barner to protect the surface.
- ⊘  • Do not place furniture outside. for indoor use only.
- ⊘  • Not for commercial use. for residential use only.
- ⊘  • Stains may be removed with mild soap solution and damp cloth.
- ⊘  • Children should not climb or jump on the furniture.
- ✓  • Dust and pick - up shills using a clean, non-colored, lint-free cloth.