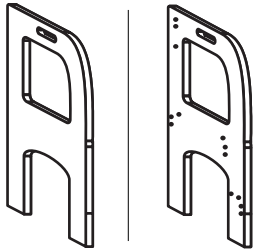


**USE AND MAINTENANCE**

- Use on level surfaces only
- Because this product needs assembly, it is prone to working itself loose from time to time depending on the use. Please take the time to check that all connections are still tight and working properly for safety.
- Only clean using a damp cloth and mild detergent, do not use bleach or abrasive cleaners.

# Sweetgo Kid Stepper

**PART LIST**



1 - Left Side Panel x1  
2 - Right Side Panel x1



3 - Front Upper Support x1



4 - Front Lower Support x1



5 - Step Support x2



6 - Accent Support x1



7 - Base Step x1



8 - Lower Step x1



9 - Foot x2

**HARDWARE**

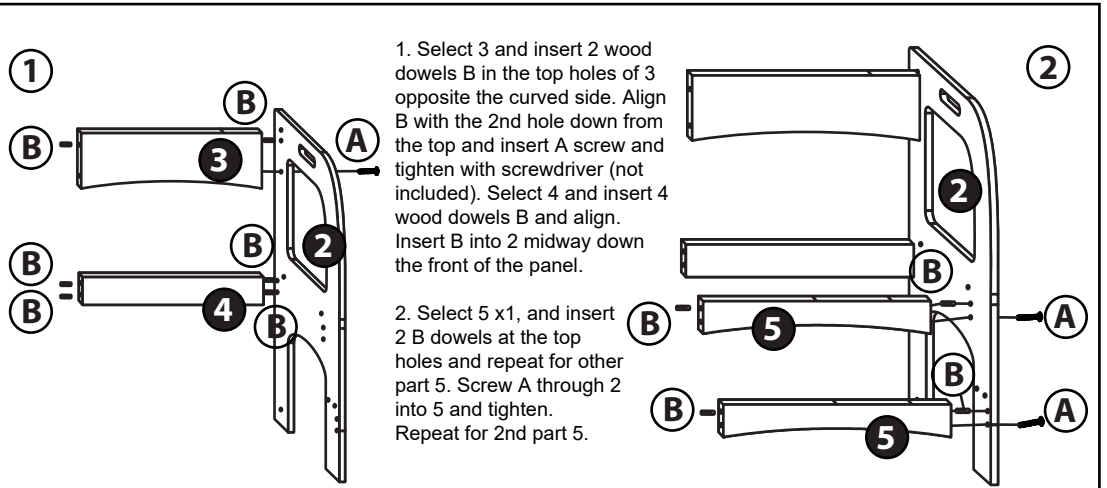


A - Screw x16



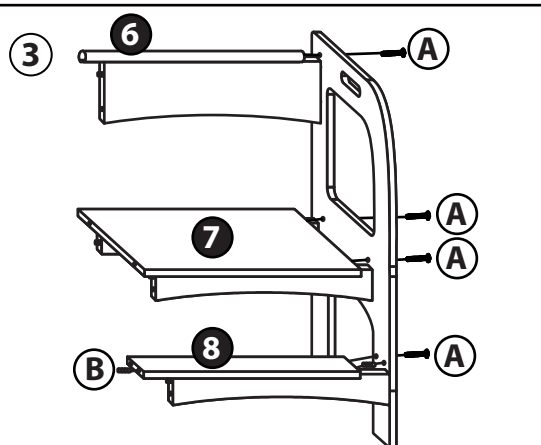
B - Wood Dowel x14

**Assembly Instructions**

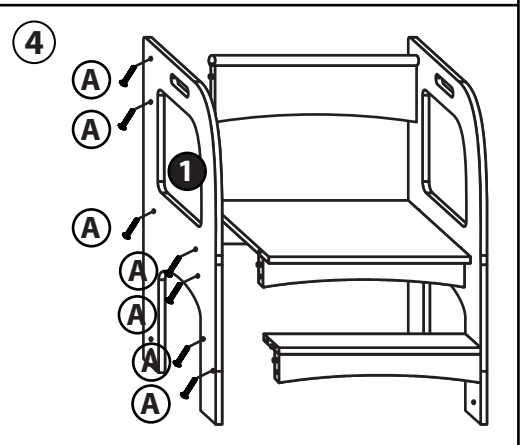


1. Select 3 and insert 2 wood dowels B in the top holes of 3 opposite the curved side. Align B with the 2nd hole down from the top and insert A screw and tighten with screwdriver (not included). Select 4 and insert 4 wood dowels B and align. Insert B into 2 midway down the front of the panel.

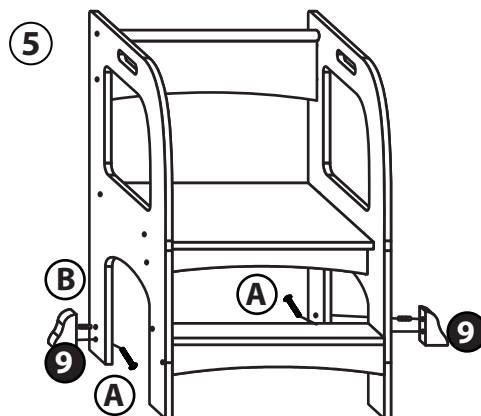
2. Select 5 x1, and insert 2 B dowels at the top holes and repeat for other part 5. Screw A through 2 into 5 and tighten. Repeat for 2nd part 5.



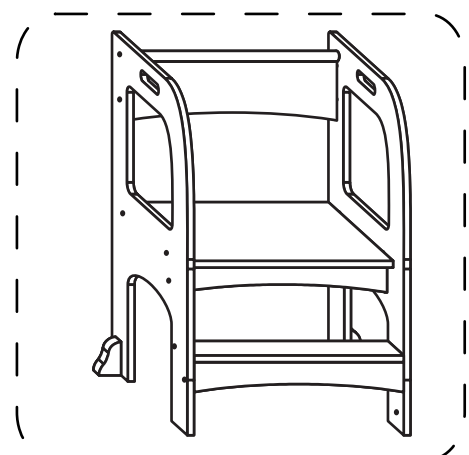
3. Select 6, and insert A through top hole on 2 and tighten. Select 7 and rest it on 4 and 5 for base step. Insert A x2 through 2 and tighten. Select 8, insert dowels x2 on larger holes in ends. Affix to 2 with A.



4. Select 1, A x7. Affix 1 to assembly with A.



5. Select 9 x1, insert B into larger hole of 9. Insert B into hole on 1 and affix 9 with A screw. Repeat for 2nd part 9 foot.



Need more information? Please get in touch with the Sweetgo Customer team, available 7 days a week at [info@sweetgo-home.com](mailto:info@sweetgo-home.com).