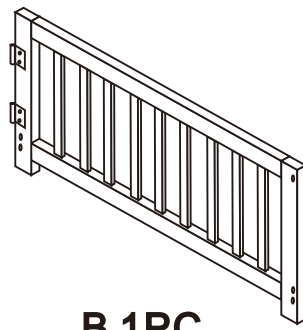
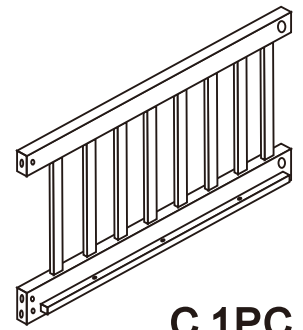


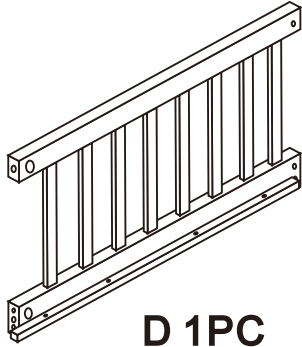
A 1PC



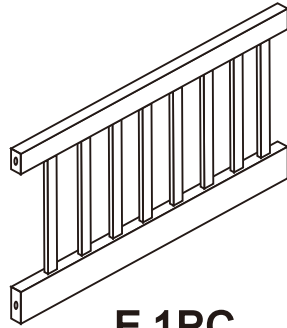
B 1PC



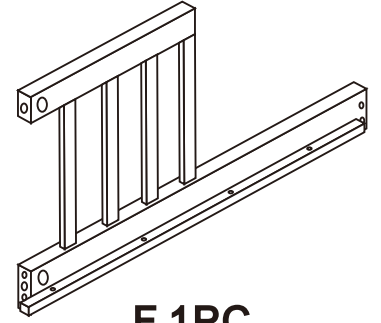
C 1PC



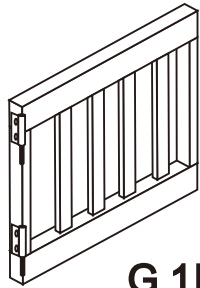
D 1PC



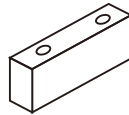
E 1PC



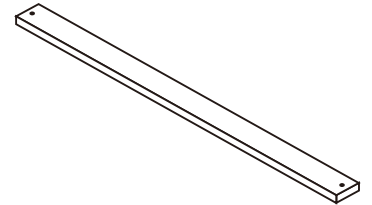
F 1PC



G 1PC



H 2PCS



I 7PCS



① 8PCS



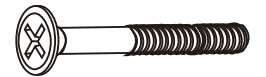
② 4PCS



③ 8PCS



④ 18PCS



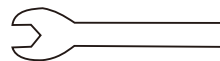
⑤ 11PCS



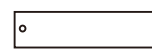
⑥ 1PC



⑦ 4PCS



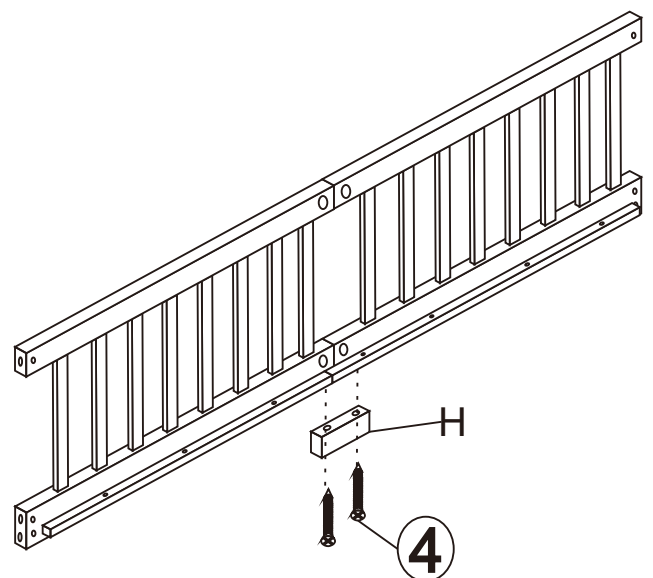
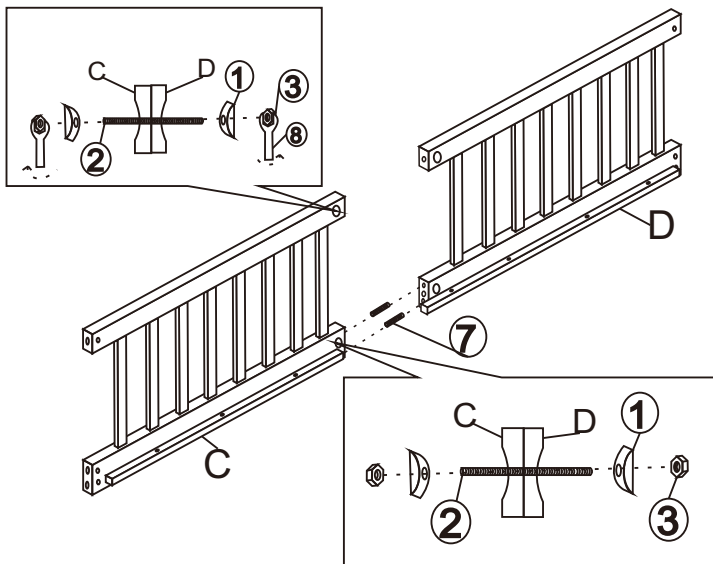
⑧ 2PCS

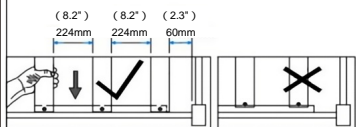
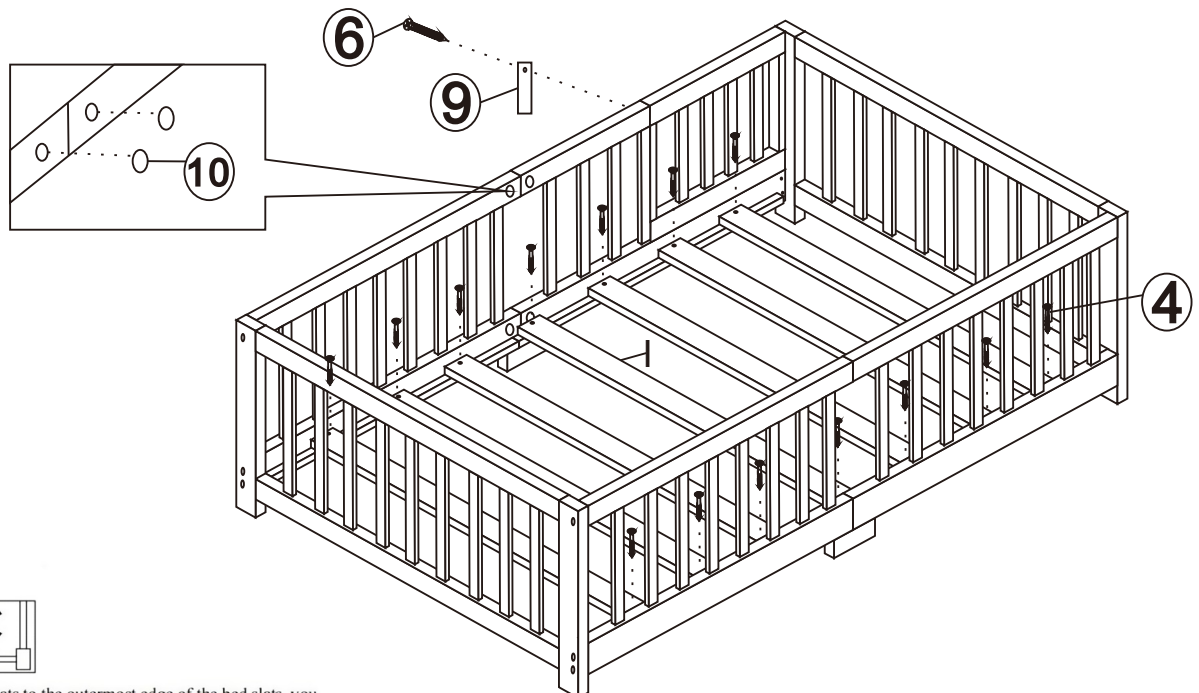
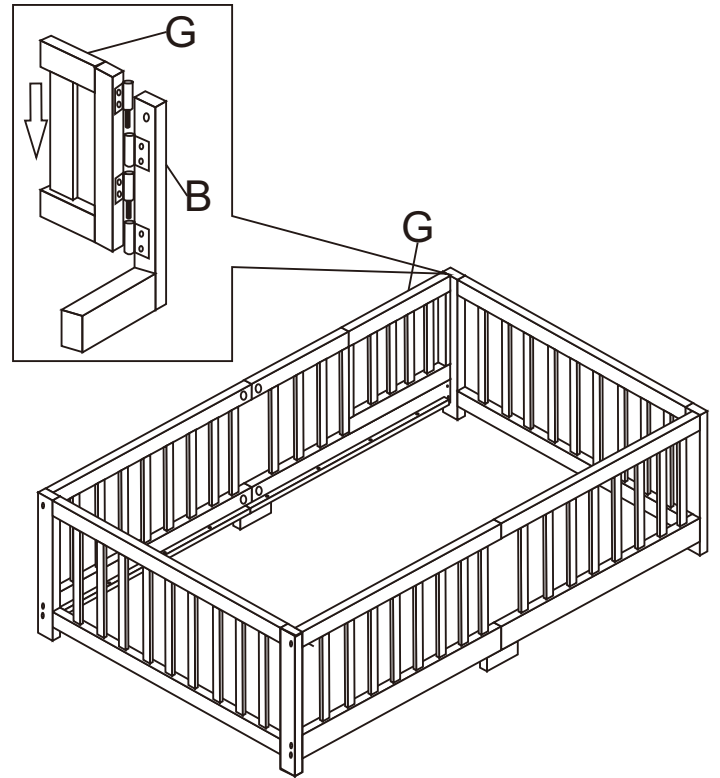
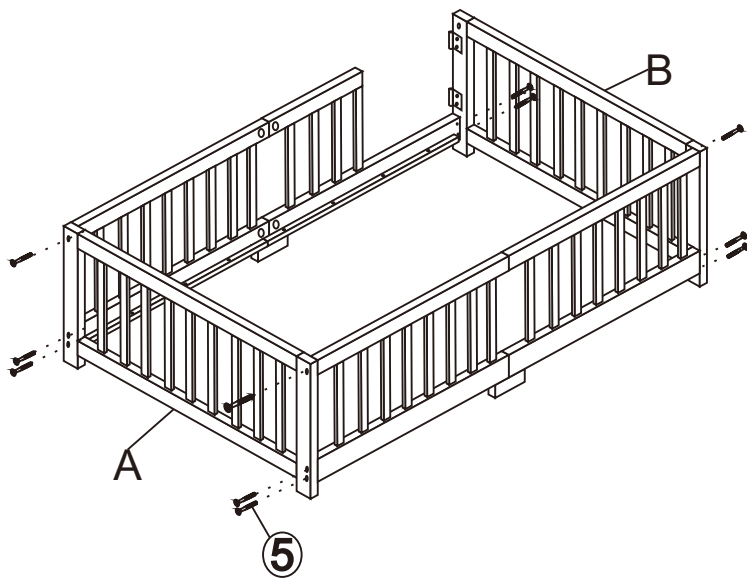
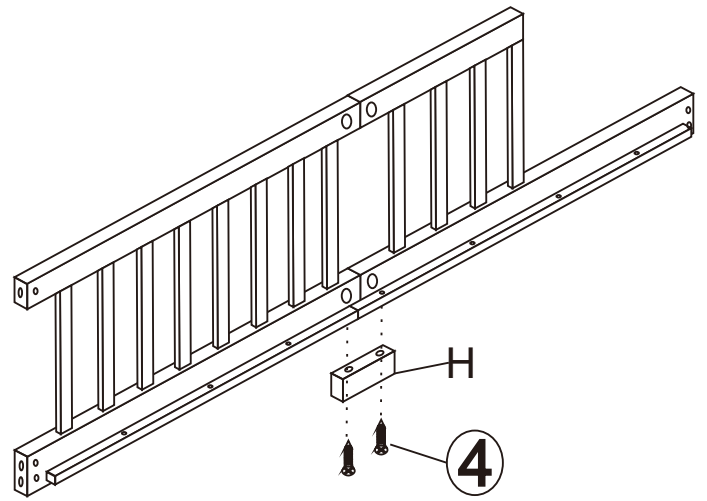
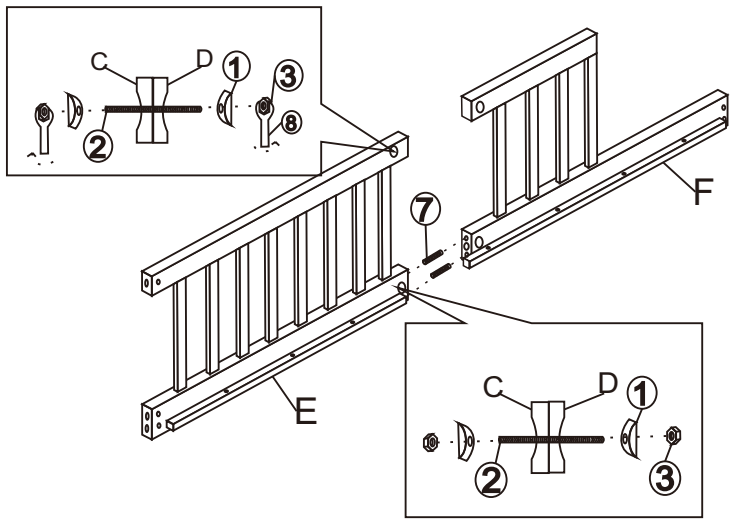


⑨ 1PC



⑩ 8PCS





Note: Do not lock the screws of the bed slats to the outermost edge of the bed slats, you need to leave a certain space at the edges, otherwise it will cause the board to break. Do not lock the bed slats on the edge of the wood, please hold firmly before screwing, hold it in place with one hand, then lock the screw.