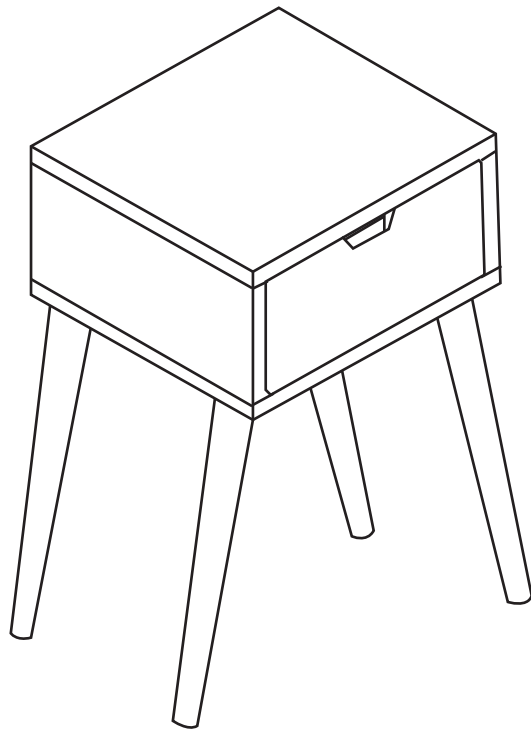




SWEETGO ABBY SIDETABLE

SG5011



Thank you very much for choosing Sweetgo items. We sincerely hope you enjoy the item in coming days. If you encounter any questions, please contact us freely.

Warm Prompt:

- .Please ensure all parts are included in the box before assembly .Please read all instructions carefully before assembly.
- .Please follow the steps exactly as described in the manual as any deviation from them may void your warranty or present a possible safety risk.
- .If you experience any issues with the assembly or product, please contact us through email:info@sweetgo-home.com

Product Care:

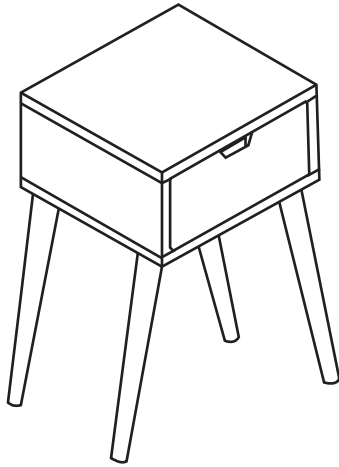
- . Regularly check and tighten all screws and bolts as they are constantly under pressure to extend the life and durability of the item.
- . Avoid exposure to direct sunlight, heat or humidity to prevent damage to the item.
- .Our products are meant to last for years . However every piece of furniture is unique and a little TLC can go a long way.

Questions:

If need more information, please get in touch with the Sweetgo Customer team, available 7 days a week at info@sweetgo-home.com.

SWEETGO ABBY SIDETABLE ASSEMBLY INSTRUCTIONS

Thank you for purchasing the SWEETGO ABBY NIGHTDTAND
Please read the instructions carefully to ensure safe operation of the product.

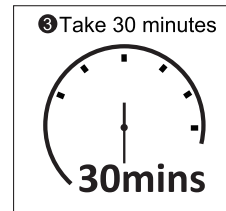
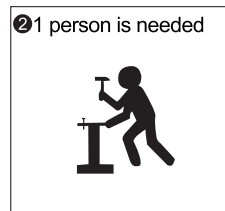
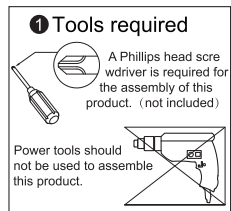


PLEASE READ this sheet prior to assembly to familiarise yourself with the various stages of construction.

Carefully open the pack supplied and check the contents against the parts and fittings check list. Do not destroy any of the packaging until you are certain that you have all the necessary parts for the assembly.

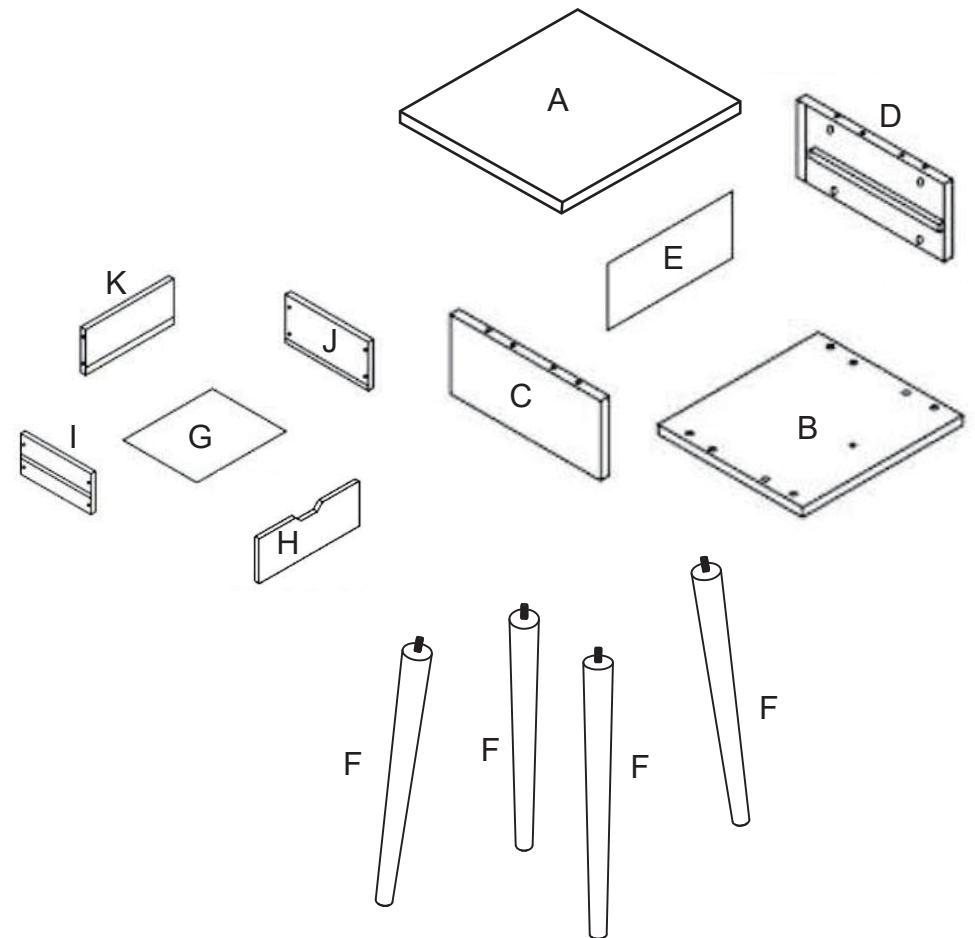
CAUTION: There are small components used in the construction of this unit. These loose items should be kept away from young children whilst assembling your unit to avoid the danger of choking hazards.

You need



SWEETGO ABBY SIDETABLE ASSEMBLY INSTRUCTIONS

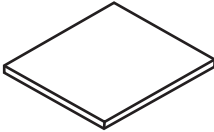



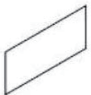

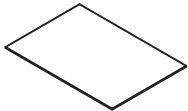
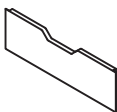

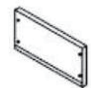



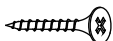

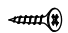

Please check the pack contents before assembling this product. If any components are missing, please contact us. The fittings pack contains small items that should be kept away from small children.

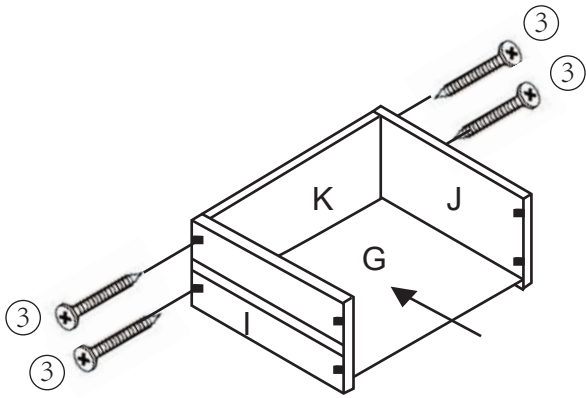


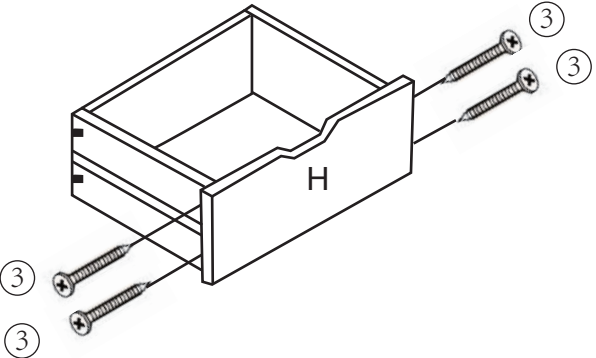
SWEETGO ABBY SIDETABLE ASSEMBLY INSTRUCTIONS

SWEETGO ABBY SIDETABLE ASSEMBLY INSTRUCTIONS

Parts

<p>A</p> 	<p>B</p> 	<p>C</p> 	
<p>Description: Table top panel Qty: 1 PC Size: 40x30x1.5cm</p>	<p>Description: Table bottom panel Qty: 1 PC Size: 40x30x1.5cm</p>	<p>Description: Table side panel Qty: 1 PC Size: 40x30x1.5cm</p>	
<p>D</p> 	<p>E</p> 	<p>F</p> 	<p>G</p> 
<p>Description: Table side panel Qty: 1 PC Size: 40x30x1.5cm</p>	<p>Description: Table back panel Qty: 1 PC Size: 38x15x0.3cm</p>	<p>Description: Table leg Qty: 4 PCS Size: 40x3.5x3.5cm</p>	<p>Description: Drawer bottom Qty: 1 PCS Size: 35.3x26x0.3cm</p>
<p>H</p> 	<p>I</p> 	<p>J</p> 	<p>K</p> 
<p>Description: Drawer front Qty: 1 PCS Size: 37x14.5x1.5cm</p>	<p>Description: Drawer left panel Qty: 1 PCS Size: 30x15x0.9cm</p>	<p>Description: Drawer right panel Qty: 1 PCS Size: 30x15x0.9cm</p>	<p>Description: Drawer back Qty: 1 PCS Size: 34.5x14.5x0.9cm</p>
<p>①</p> 	<p>②</p> 	<p>③</p> 	<p>④</p> 
<p>Description: Cam Qty: 8 PCS Size: 15x12mm</p>	<p>Description: Cam bolt Qty: 8 PCS Size: 5x34mm</p>	<p>Description: Screw Qty: 8 PCS Size: 3x25mm</p>	<p>Description: Wood dowel Qty: 8 PCS Size: 8x30mm</p>
<p>⑤</p> 	<p>⑥</p> 		
<p>Description: Screw Qty: 1 PCS Size: 3x14mm</p>	<p>Description: Block Qty: 1 PCS</p>		

STEP 1	Parts Required
	<p>I Drawer left panel x1 J Drawer right panel x1 K Drawer back x1 G Drawer bottom x1 ③ Screw x4</p>

STEP 2	Parts Required
	<p>H Drawer front x1 ③ Screw x4</p>

SWEETGO ABBY SIDETABLE ASSEMBLY INSTRUCTIONS

SWEETGO ABBY SIDETABLE ASSEMBLY INSTRUCTIONS

STEP 3	Parts Required
	<p>A Table top panel×1 B Table bottom panel ×1</p> <p>① Cam bolt x8 ⑥ Block x1</p>

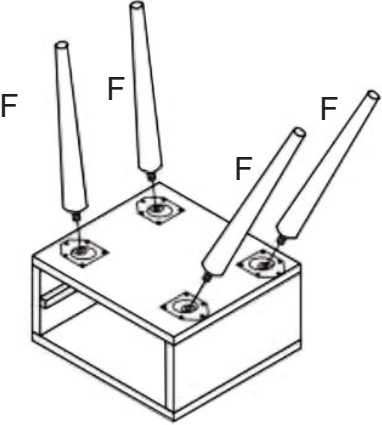
STEP 5	Parts Required
	<p>E Table back panel ×1</p>

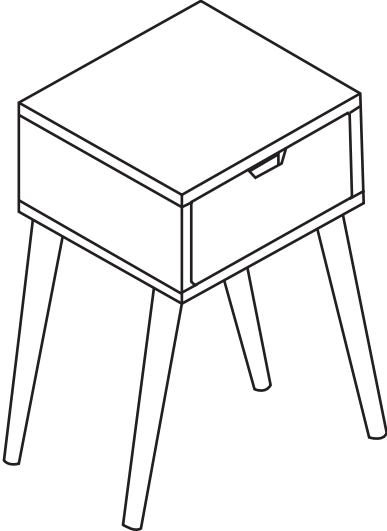
STEP 4	Parts Required
	<p>B Table bottom panel ×1 C Table side panel ×1 D Table side panel ×1</p> <p>① Cam x4 ② Cam bolt x4 ④ Wood dowel x4</p>

STEP 6	Parts Required
	<p>A Table top panel×1</p> <p>① Cam x4 ② Cam bolt x4 ④ Wood dowel x4</p>

SWEETGO ABBY SIDETABLE ASSEMBLY INSTRUCTIONS

SWEETGO ABBY SIDETABLE ASSEMBLY INSTRUCTIONS

STEP 7	Parts Required
	<p>F Table leg×4</p>

Complete Assembly
<p>Your SWEETGO ABBY SIDETABLE is now completely assembled. Periodically check to ensure that the components are in their proper position, free from damage. Also, make sure the connectors are tight and secure.</p>  <p>Keep instructions for future reference.</p> 