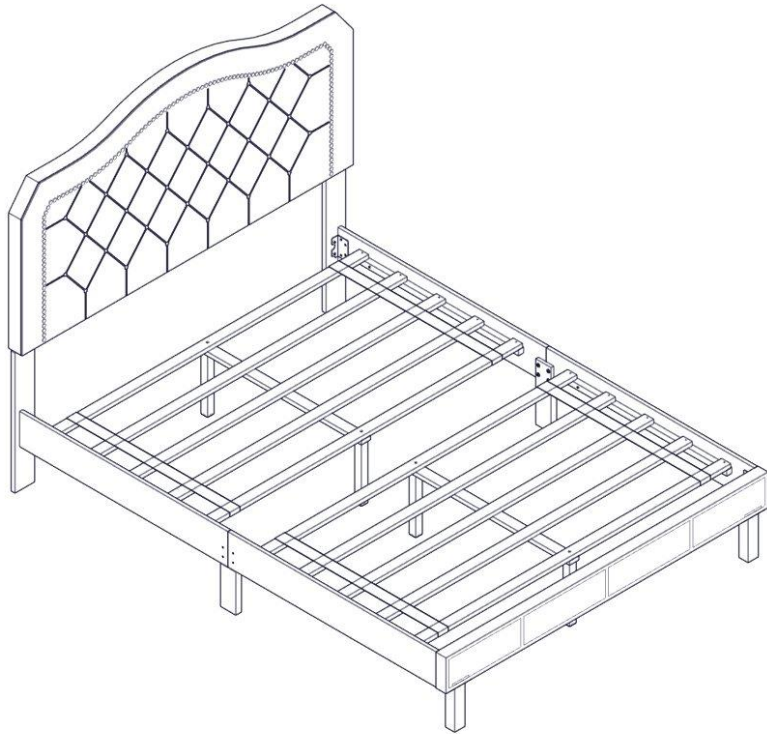


RENE QUEEN BED



Read these instructions carefully.

Refer to "HARDWARE" and "PARTS" list for assembly guidance.

Check to ensure all "PARTS" and "HARDWARE" quantities, as noted as enclosed prior to commencement of assembly.

Place all furniture parts on a clean and flat soft surface to prevent any scratchers possible.














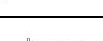








Follow the "LINE DRAWINGS" to assemble product.

CAUTION : 1 . DO NOT FULLY TIGHTEN BOLTS/NUTS UNTILL PRODUCT FULLY ASSEMBLED

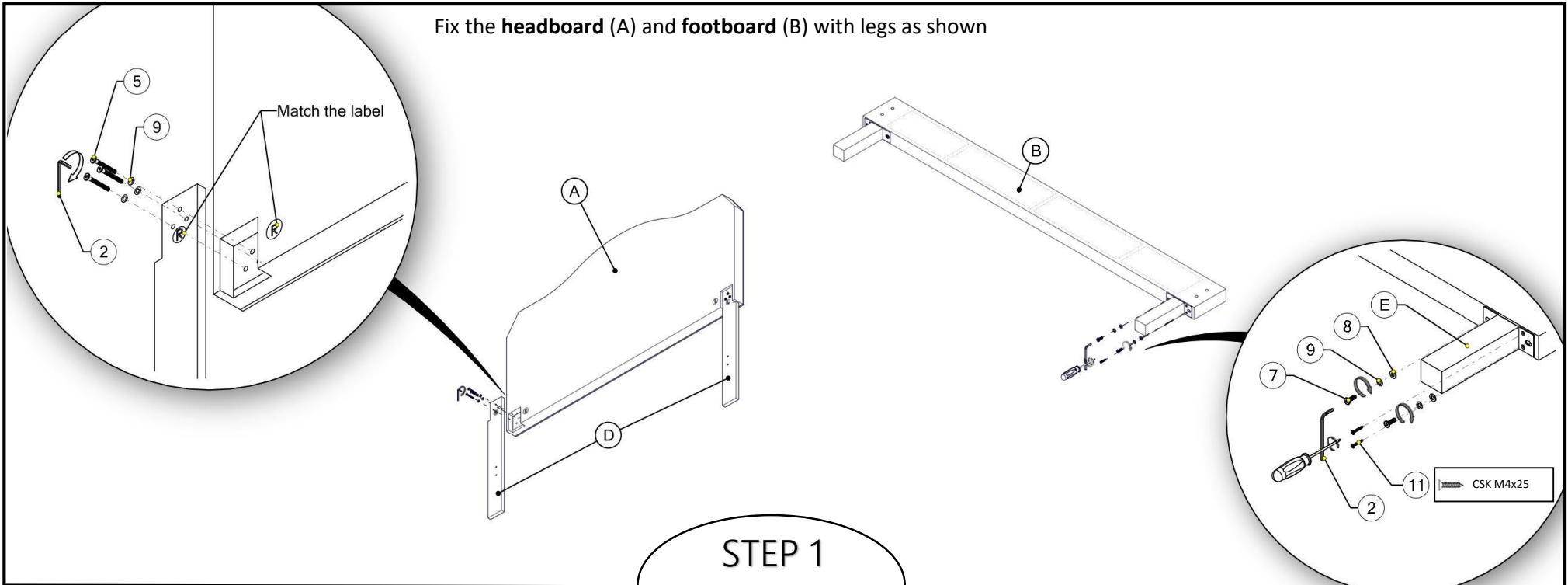
2 . DO NOT OVER TIGHTEN BOLTS/NUTS AS THIS CAN CAUSE DAMAGED TO TREADS.

3 . KEEP ALL HARDWARE OUT OF REACH OF CHILDREN.

NOTE : THE QUANTITY OF BOTH "PARTS" AND "HARDWARE" RELATE TO 1 UNIT BED ONLY.

ITEM	PART LISTS	DESCRIPTION	QTY.
A	headboard		1
B	footboard		1
C1/C2	side rail		4
D	back leg		2
E	front leg		2
F	side rail support wood		4
G	Side rail leg		2
H	slat		10
I	center rail		2
J	center leg		4
ITEM	HARDWARE LISTS	DESCRIPTION	QTY.
1	allen key m5		1
2	allen key m4		1
3	JCBB M8 x 20		8
4	JCBC M6 x 60		4
5	JCBC M6 x 50		6
6	JCBC M6 x 30		20
7	JCBC M6 x 20		4
8	flat washers		12
9	spring washers		10
10	CSK screw 32mm		20
11	CSK screw 25mm		4
12	adjuster		4

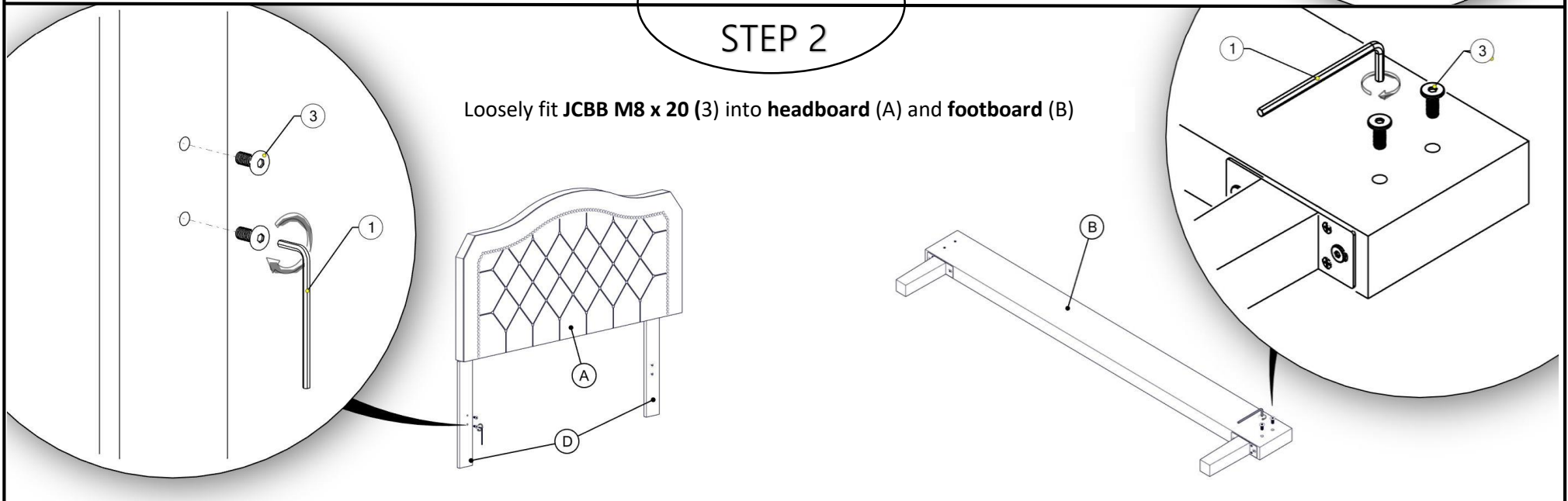
Fix the **headboard (A)** and **footboard (B)** with legs as shown

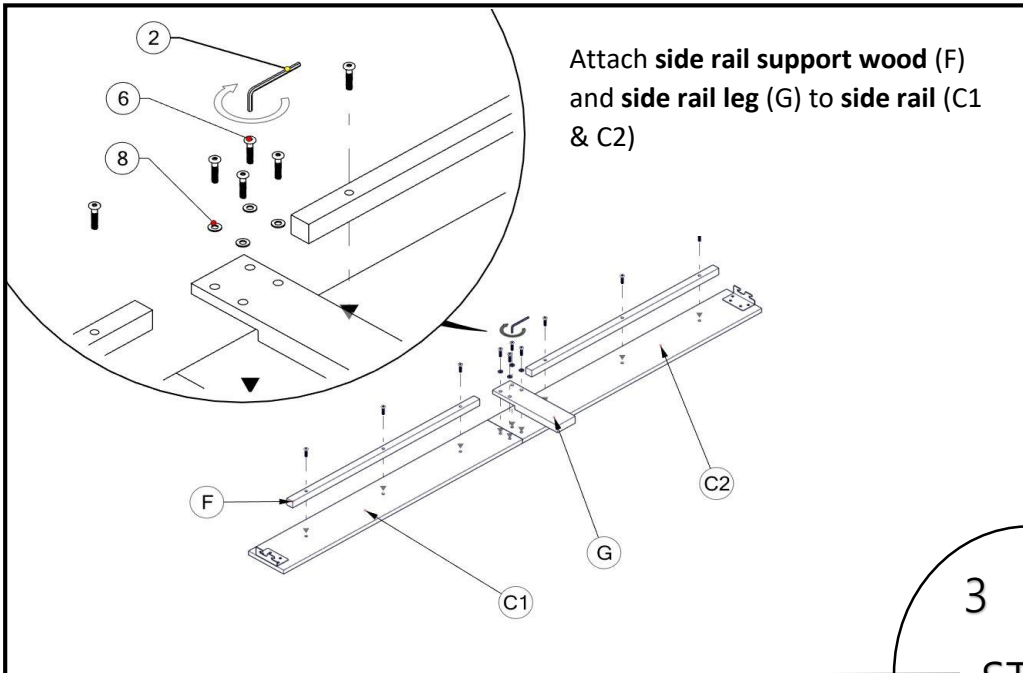


STEP 1

STEP 2

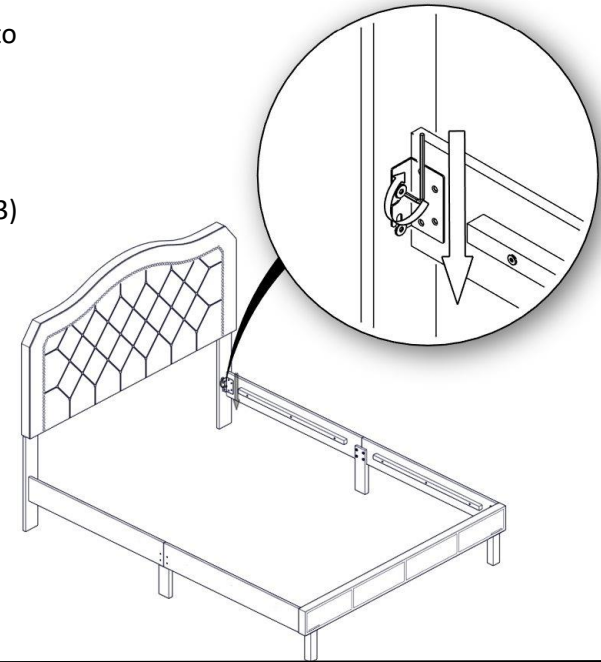
Loosely fit **JCBB M8 x 20 (3)** into **headboard (A)** and **footboard (B)**



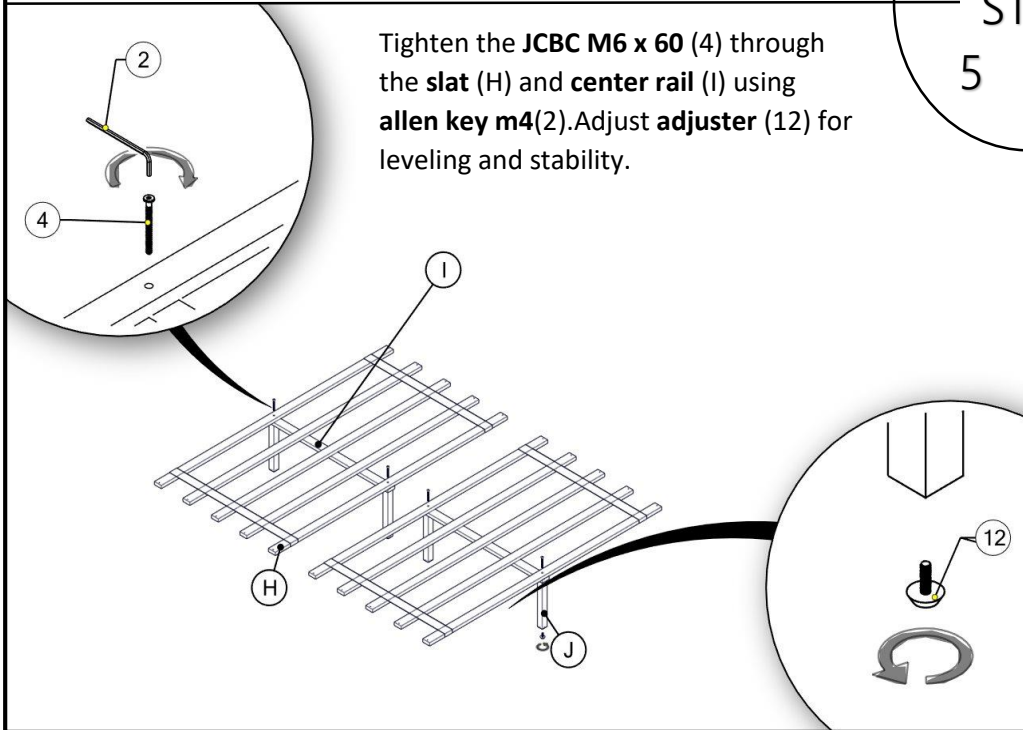


Attach **side rail (C1 & C2)** to **headboard (A)** and **footboard (B)** by pushing the bracket down fit it.

Tighten all **JCBB M8 x 20 (3)** using **allen key m5 (1)**.



3 | 4
STEP
5 | 6



Use **CSK screw 32mm (10)** fix slat base to **side rail support wood (F)**,

ASSEMBLE COMPLETE

When placing bed to desired position, **DO NOT DRAG** (Lift the bed and move)

