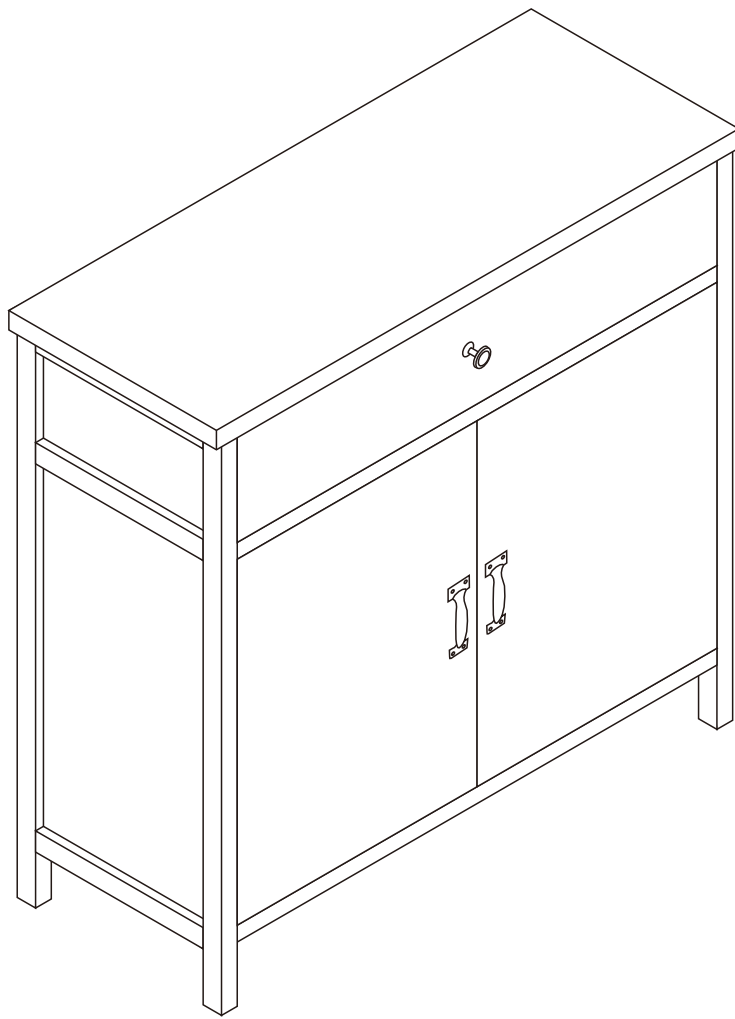


Instruction Manual



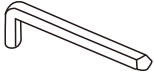



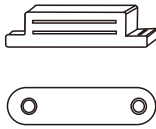
Instruction Manual

Please save this manual for future reference.

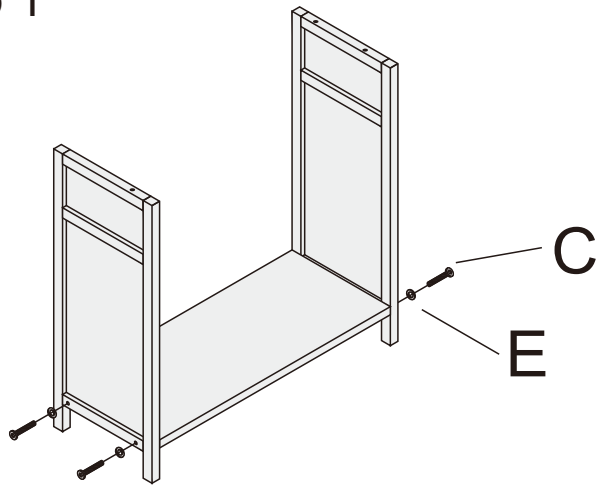
Thank you for purchasing this product. This product has been manufactured with the highest standards of safety and quality.

Product Name:	Storage Cabinet with 1 Drawer and 2 Doors
SKU #:	W2295P187453-H0101

hardwares contents:

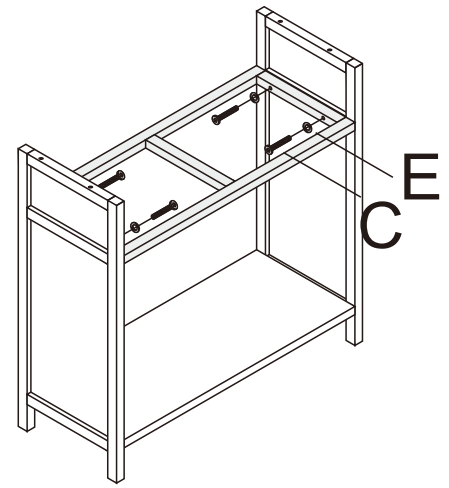
CONTENTS					
ID	DESCRIPTION	QTY	ID	DESCRIPTION	QTY
A	 Allen Wrench	1	B	 Allen Wrench	1
C	 8*35 Screws	12	D1	 Screws 4*20	14
			D2	 Screws 3*12	4
E	 Washer	12	F	 Magnetic door touch	2
G	 Door Handle	1	H	 Door Handle	2
D3	 Screws 3*16	8			

Step 1



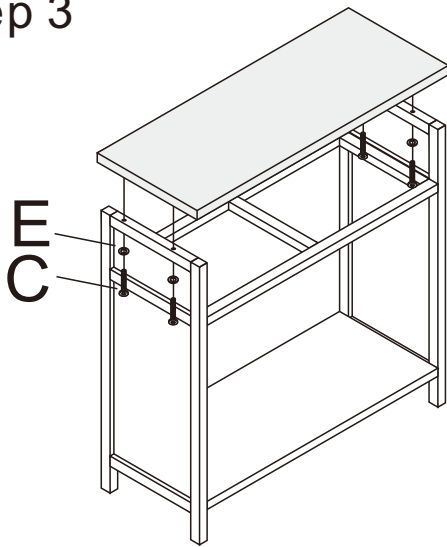
Insert side panels to the bottom. Align and tighten screws & washer by Allen wrench

Step 2



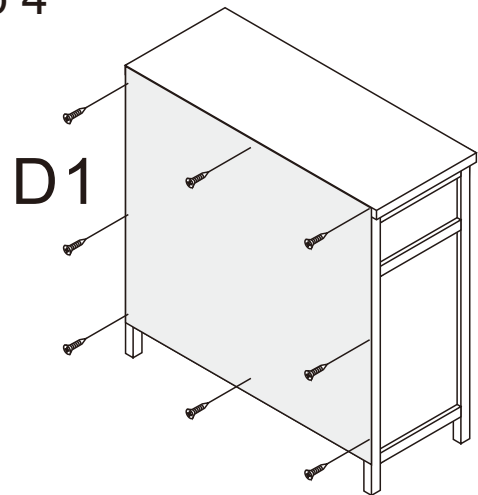
Insert shelf board to the side panel. Align and tighten screws & washer by Allen wrench

Step 3



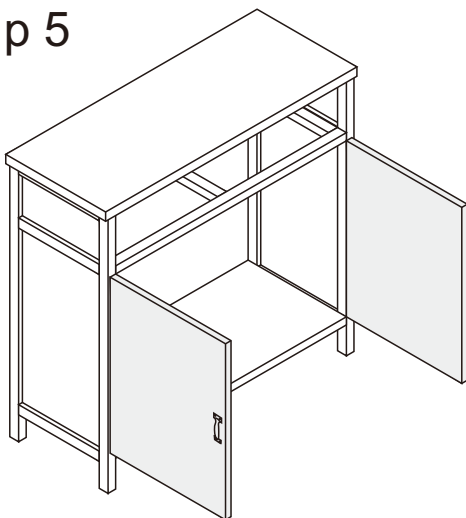
Attach the top of the cabinet. Align and tighten screws & washer by Allen wrench

Step 4



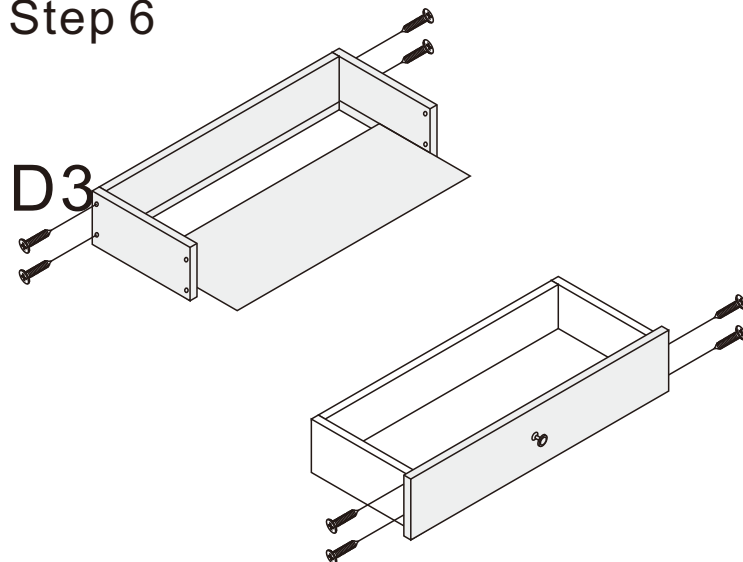
Align back panel and screw in.

Step 5



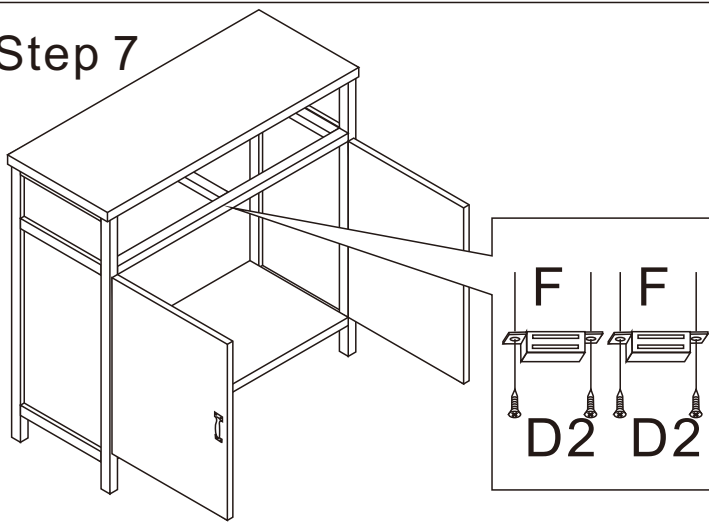
Install the doors to the bottom and the side panel.

Step 6



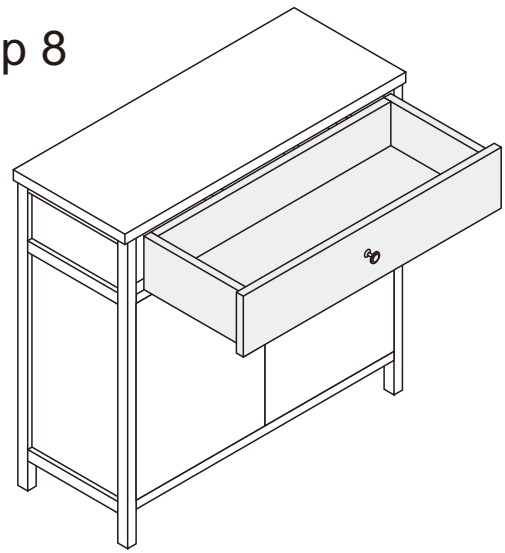
Install the drawer,

Step 7

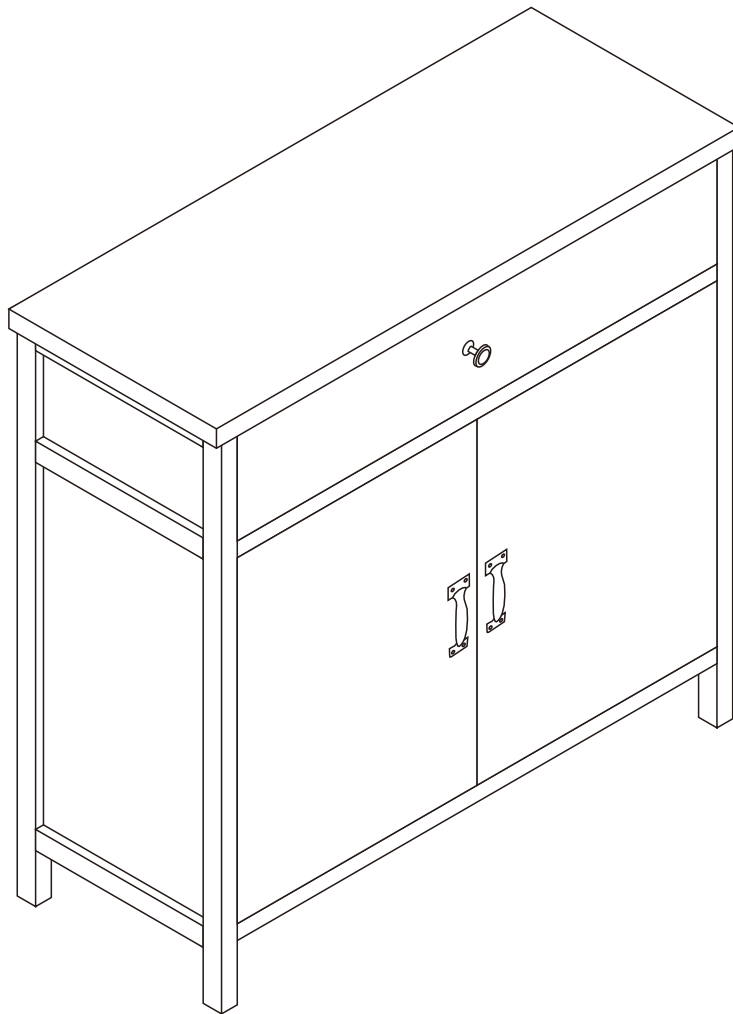


Install the Magnetic door touch and screw in.
To ensure additional stability, Anti-tip
furniture restraint kit is included.

Step 8



Insert the drawer to the metal slider.



Important:

Tighten each bolt nuts firmly. DO NOT over tighten any of the bolt nuts as this may strip the screws.
DO NOT sit or stand on the table as this may damage the product and cause serious bodily injury.