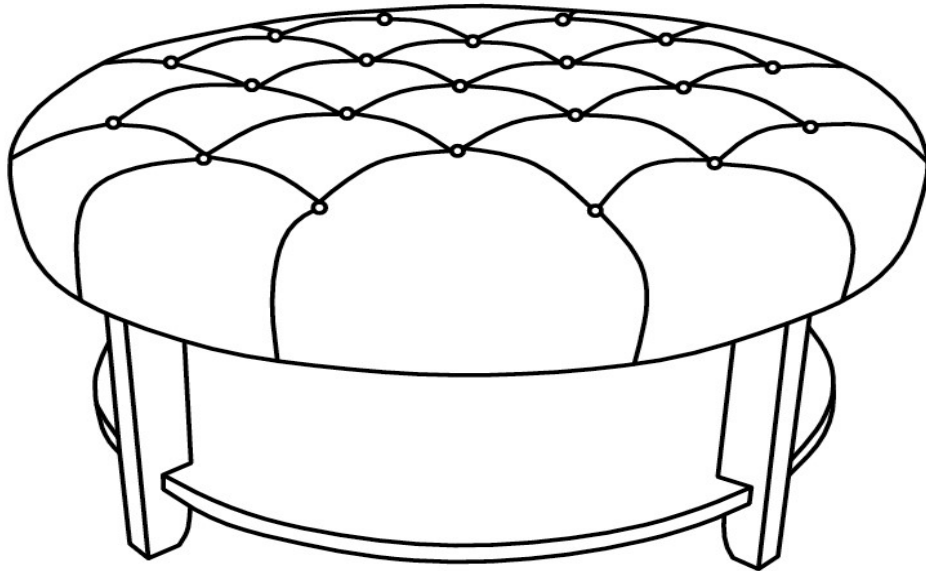


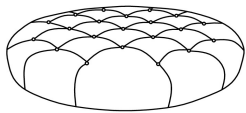
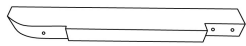
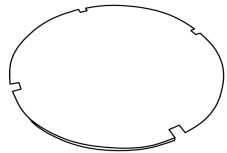
Assembly Instructions

Caution : You must read this before you proceed

Ottoman




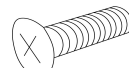
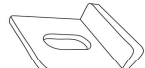



Parts List

Label	Picture	Description	QTY
A		Ottoman Body	1
B		Ottoman Leg	4
C		Board	1

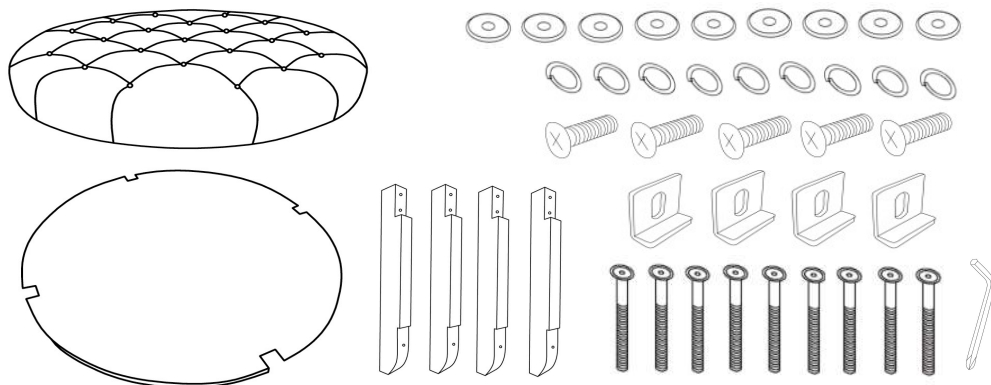
Hardware

Label	Picture	Description	QTY
-------	---------	-------------	-----

①		Long Bolts (M8x50mm)	9
②		Washer	9
③		Spring Washer	9
④		Short Screws (M6x20mm)	5
⑤		Iron Piece components	4
⑥		Allen Wrench	1

Assembly Preparation

Before
Beginnin
g
Assembly
:



- Read instructions, cover to cover-



- Have 2 adults on hand for assembly-



- Do not assemble on flooring or carpet-



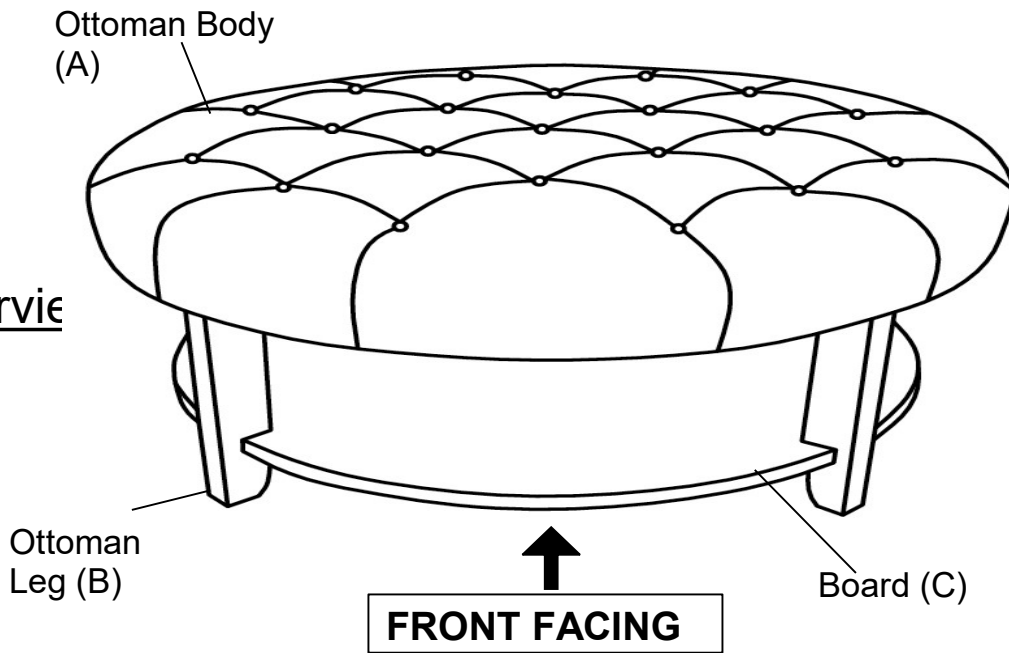
- Assemble on a clean non-marring surface (packing foam)-



- Save all packaging until finished-

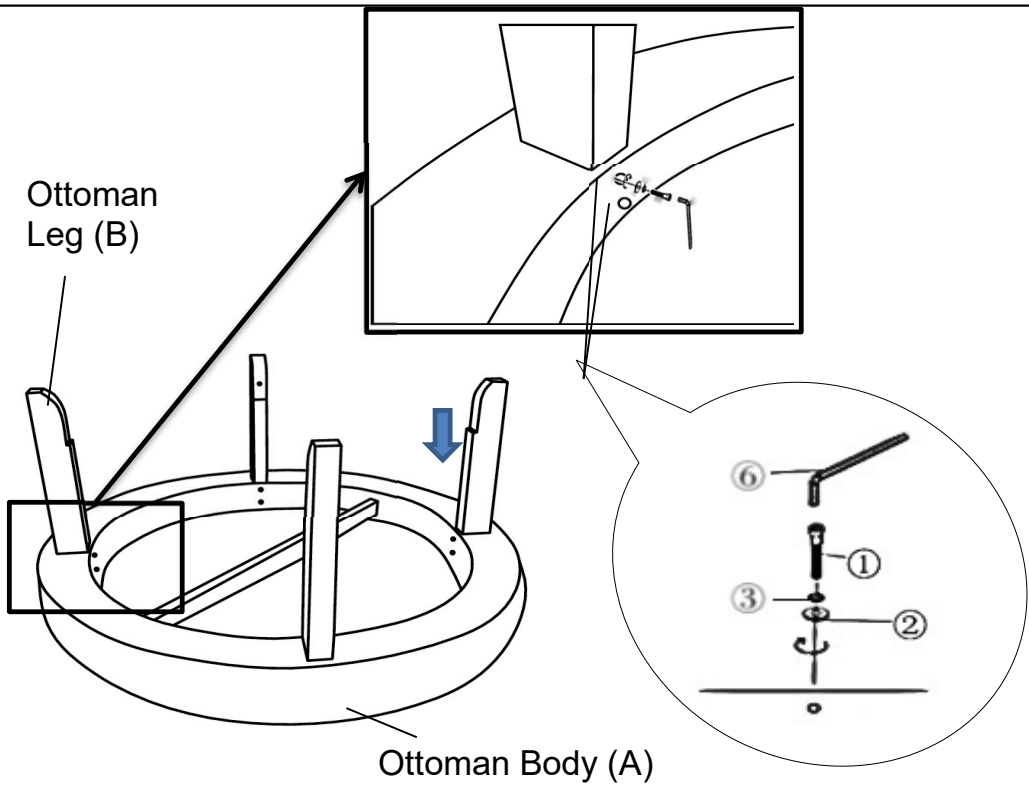
Assembly Steps

Overview



This Ottoman has multiple parts and may require up to 30 minutes to assemble. To give you an overview of the Ottoman parts, the above picture is to help you put the various parts into perspective. Please read through the instructions herebelow to familiarise yourself with the parts and steps before assembly

Step 1



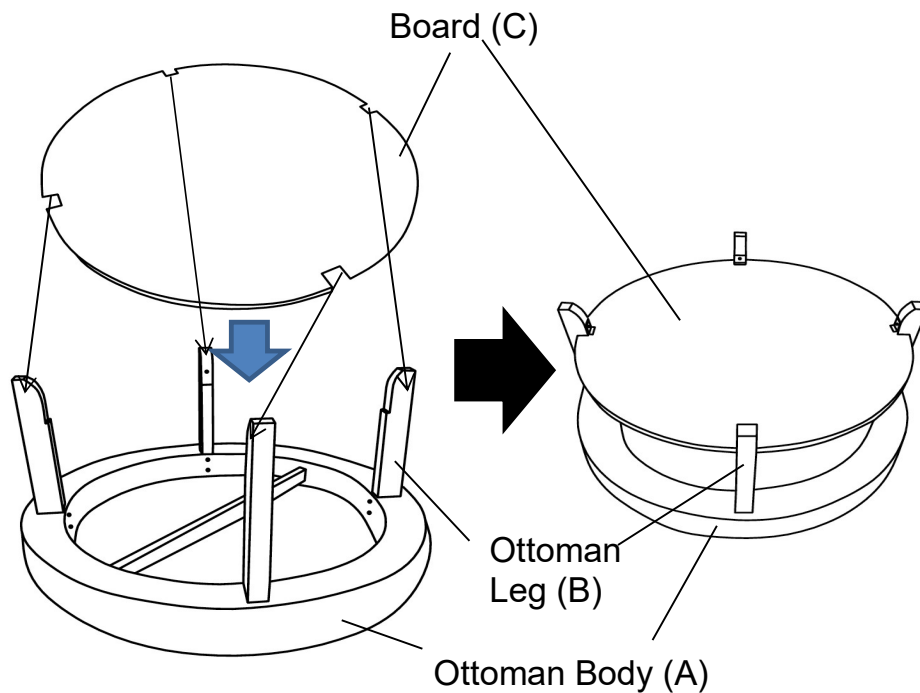
Place the Ottoman Body(A) facedown onto a flat table or panel as shown in the picture above.

You will now have the Ottoman body(A) and all 4 Ottoman Legs(B) facing skywards. Insert each Ottoman Leg(B) completely and vertically into each body frame site.

PRESS FIRMLY DOWN with your hand until there is no gap.

Attach each Ottoman Leg (B) to the Ottoman body (A) using the Long Bolts (①), spring washers (③), washers (②) and the Allen Wrench (⑥)

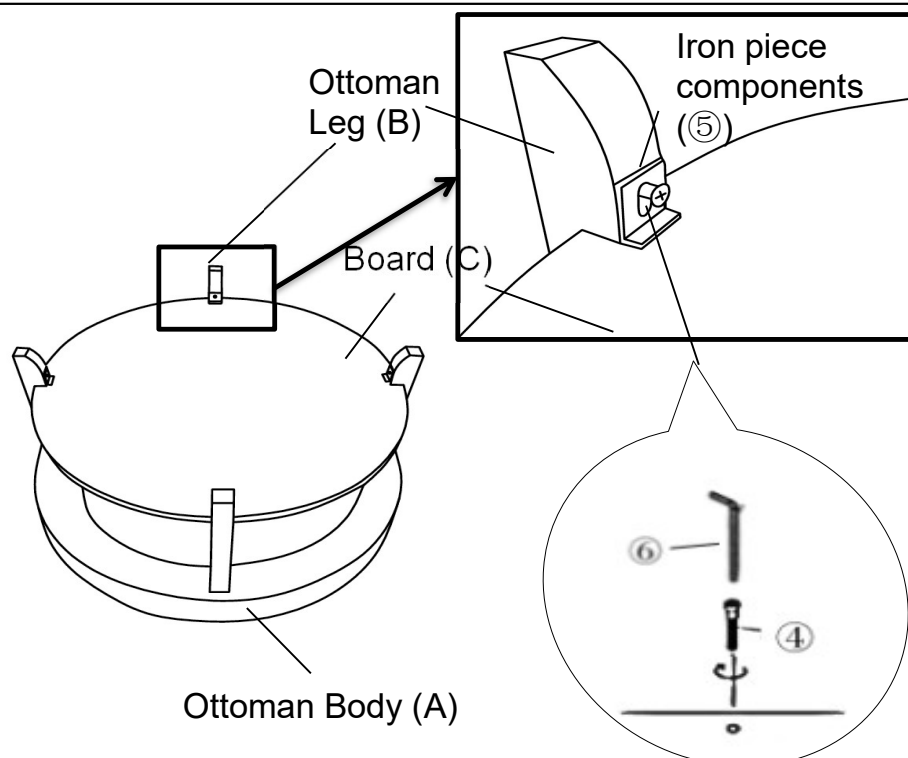
Step 2



Place the Board (C) with its face skywards.

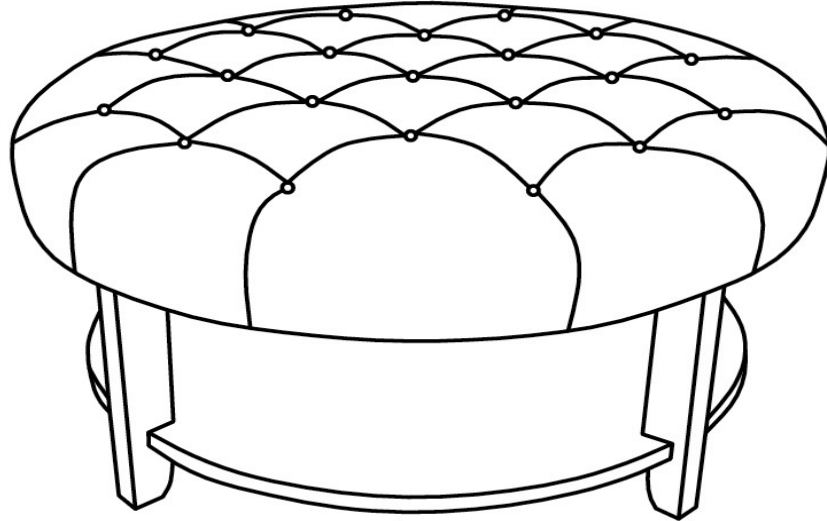
Align the tenons of the Board (C) into the Mortise of the Ottoman Legs(B) as shown above.

Step 3



Affix the Board (C) to the Ottoman Legs (B) using Iron piece components (⑤)+ Short Screws (④) and the Allen Wrench (⑥)

Step 4



Turn the Ottoman right side up.
Place the Ottoman on a LEVEL SURFACE.
Inspect it and make sure all parts are adequately connected. Gently and gracefully, sit onto the Ottoman.

This would help to align all the parts at all the joint areas. If no wobbles are found, proceed to tighten all the Bolts and Screws.

CAUTION 1: When tightening these Bolts and Screws, tighten sequentially.

DO NOT tighten any Bolts/Screws fully and then towards the next one. This would cause the frame to warp.

If there are still any wobbles after tightening, loosen the Bolts/Screws and execute this same process.

WARNING!! IF OTTOMAN IS NOT STABLE , IT COULD LEAD TO DAMAGING THE PRODUCT.

Ensure all Bolts/Screws are fully locked into position.

The Ottomant is ready to be used.

Caution 2: This Ottoman can only be used on a flat, level surface.

Care & Maintenance



- Furniture may scratch floors. We recommend using furniture pads to protect your floors.



- Do not put hot items directly on furniture surface.



- Do not clean furniture with harsh cleansers or polish.



- Do not place furniture under direct sunlight.



- Do not place furniture near heating or cooling vents.



- Do not write on furniture without a padded barrier to protect the surface.



- Do not place furniture outside . For indoor use only.



- Not for commercial use. For residential use only.



- Stains may be removed with mild soap solution and damp cloth.



- Children should not climb or jump on the furniture.



- Dust and pick-up spills using a clean, non-colored, lint-free cloth.