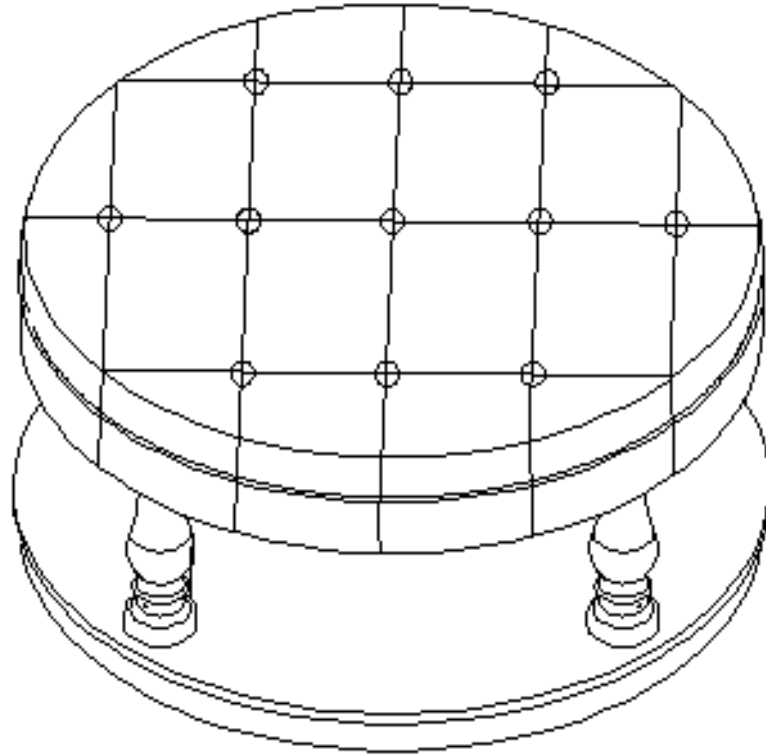


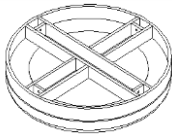

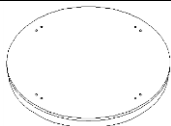
# Assembly Instructions

**Caution : You must read this before you proceed**

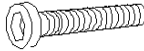




## OTTOMAN



### Parts List

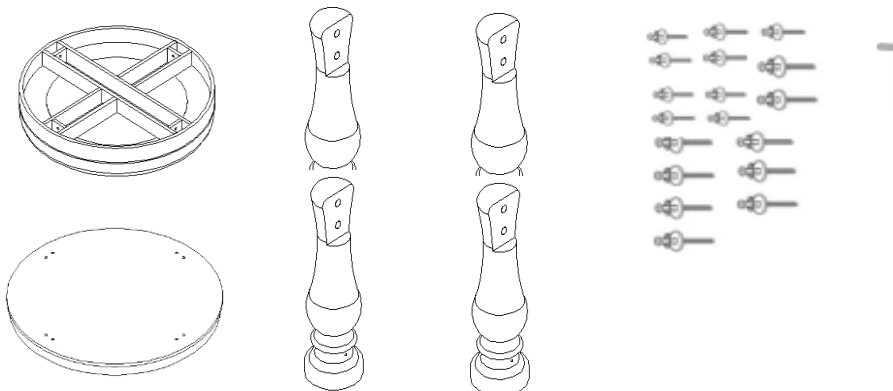
Label	Picture	Description	QTY
A		Chair Seat	1
B		Leg	4
C		Bottom Board	1

# Hardware

Label	Picture	Description	QTY
①		Bolt (M8x50mm)	9
②		Bolt (M8x40mm)	9
③		Spring Washer (M8x13mm)	18
④		Flat Washer (M8x19x1.5mm)	18
⑤		Allen Key	1

# Assembly Preparation

Before Beginning Assembly:



- Read instructions, cover to cover-



- Have 2 adults on hand for assembly-



- Do not assemble on flooring or carpet-



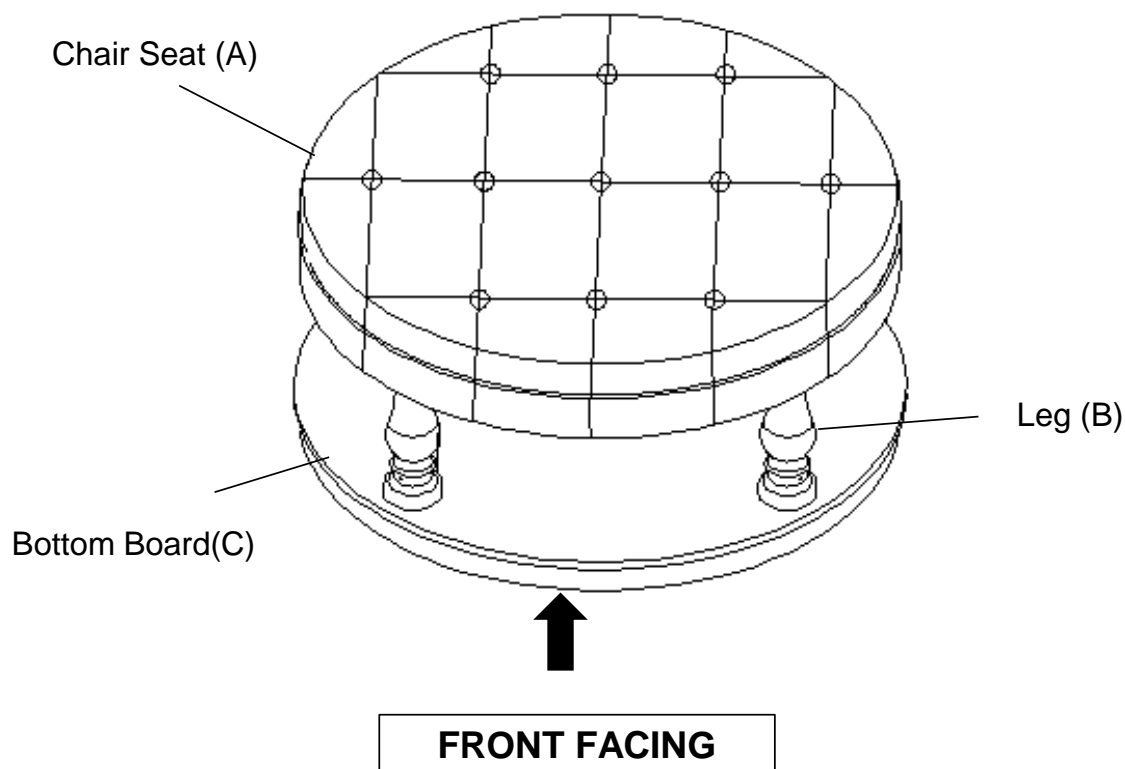
- Assemble on a clean non-marring surface (packing foam)-



- Save all packaging until finished-

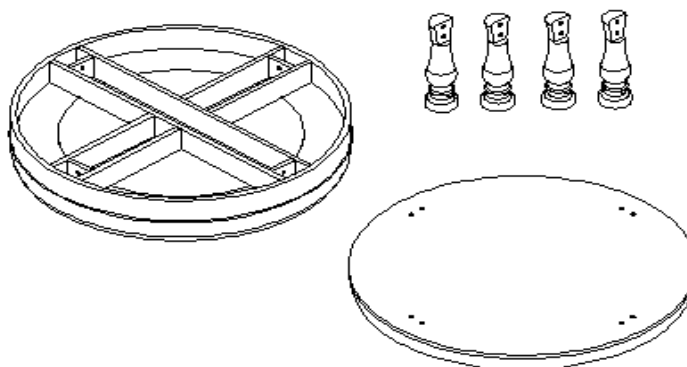
# Assembly Steps

## Overview



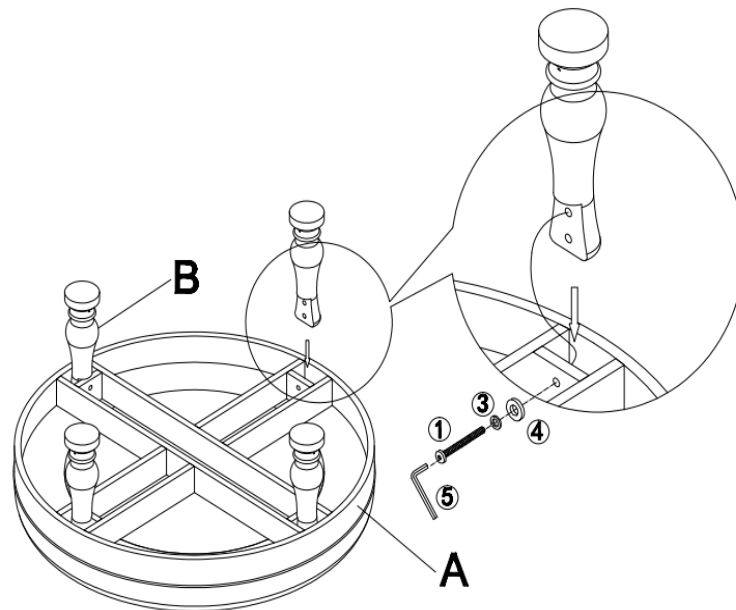
This OTTOMAN has multiple parts and may require up to 30 minutes to assemble. To give you an overview of the OTTOMAN parts, the above picture is to help you put the various parts into perspective. Please read through the instructions herebelow to familiarise the parts and steps before assembly.

## Step 1



Unpack and place all parts on a clean, non-marring surface.

## Step 2

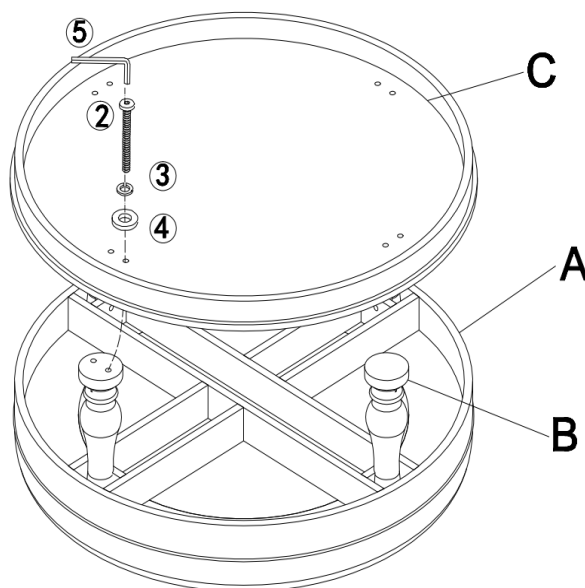


Put the Chair Seat (A) back onto a flat table or panel as shown in picture above. You will now have the Chair Seat (A) and all 4 Legs (B) facing skywards. Insert each Leg (B) completely vertically into each seat frame corner. **PRESS FIRMLY DOWN** with your hand until there is no gap.

Align Leg (B) with Chair Seat (A) by using 8 Bolt (①)+ 8 Spring Washer (②)+ 8 Flat Washer (③). and Allen Key (④)

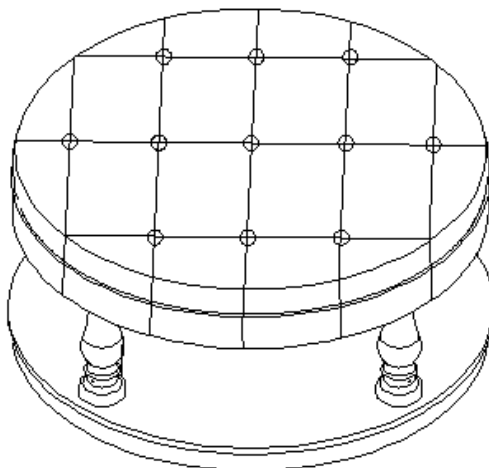
**DO NOT FULLY TIGHTEN BOLTS.**

## Step 3



Place the Bottom Board (C) with its face skywards.  
Align the tenon of Bottom Board (C) into the Mortise of Leg(B) as shown above.  
Then, affix the Bottom Board (C) with Leg (B) by using 8Bolt (②)+ 8Spring Washer(③)+ 8Flat Washer(④).and Allen Key (⑤).  
**DO NOT FULLY TIGHTEN BOLTS.**

#### Step 4



Turn the Ottoman right side up.  
Place the Ottoman on a **LEVEL SURFACE**.  
Inspect it and make sure all parts are adequately connected.  
**Gently and gracefully, sit into to the Ottoman.**  
This would help to align all the parts at all the joint areas.

If no wobbles found, proceed to tighten all the Bolts..

**CAUTION 1: When tightening these Bolts, tighten sequentially.**

**DO NOT** tighten any Bolts fully and then towards the next one.

**This would cause the frame to warp.**

**If there is still wobbles, loosen the Bolts and execute this same process.**

**WARNING!! IF OTTOMAN IS NOT STABLE , IT COULD LEAD TO DAMAGING THE PRODUCT.**

Ensure all screws are fully locked into position.

The Ottomant is ready to be used.

**Caution 2: This Ottoman can only be used on a flat, level surface.**

## Care & Maintenance



- Do not put hot items directly on furniture surface.



- Do not clean furniture with harsh cleansers or polish.



- Do not place furniture under direct sunlight.



- Do not place furniture near heating or cooling vents.



- Do not write on furniture without a padded barrier to protect the surface.



- Do not place furniture outside . For indoor use only .



- Not for commercial use. For residential use only .



- Stains may be removed with mild soap solution and damp cloth.



- Children should not climb or jump on the furniture.



- Dust and pick-up spills using a clean, non-colored, lint-free cloth