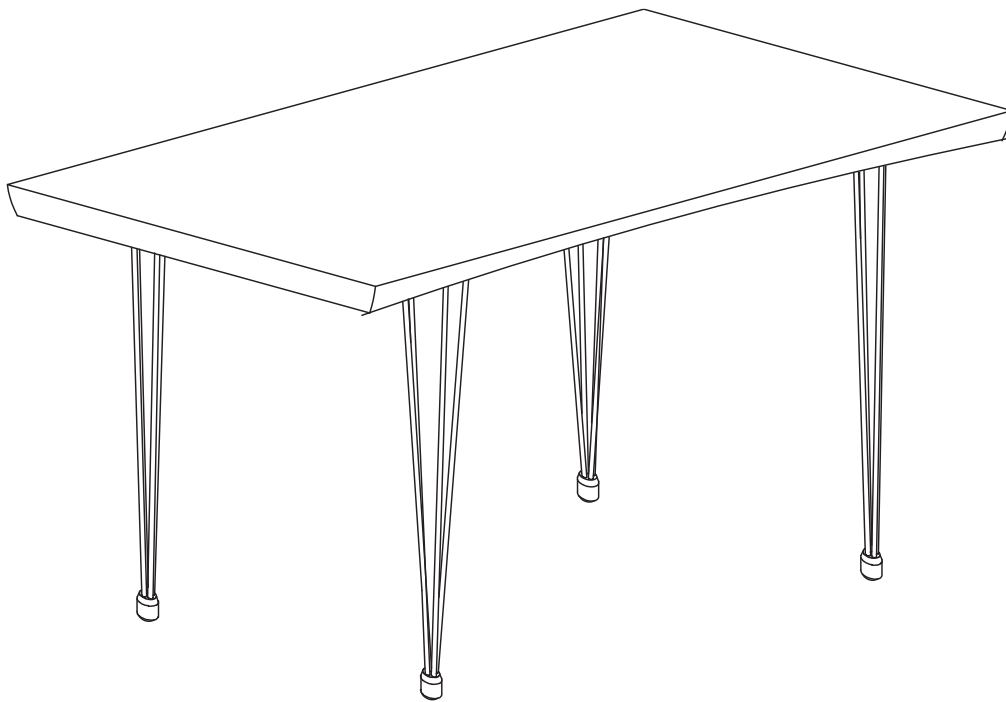


Assembly Instructions

Caution : You must read this before you proceed


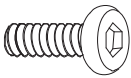

DESK



Parts List

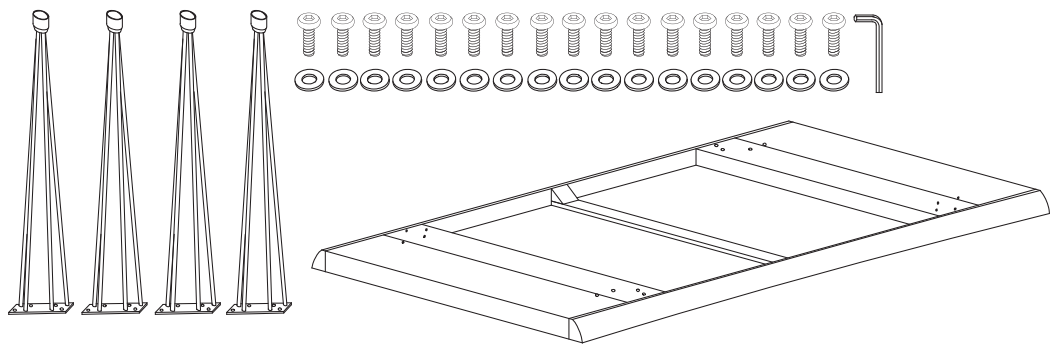
Label	Picture	Description	QTY
A		Table Top	1
B		Leg	4

Hardware

Label	Picture	Description	QTY
①		Washer	17
②		Bolt(M8*15MM)	17
③		Allen Wrench	1

Assembly Preparation

Before Beginning Assembly :



- Read instructions, cover to cover-



- Have 2 adults on hand for assembly-



- Do not assemble on flooring or carpet-



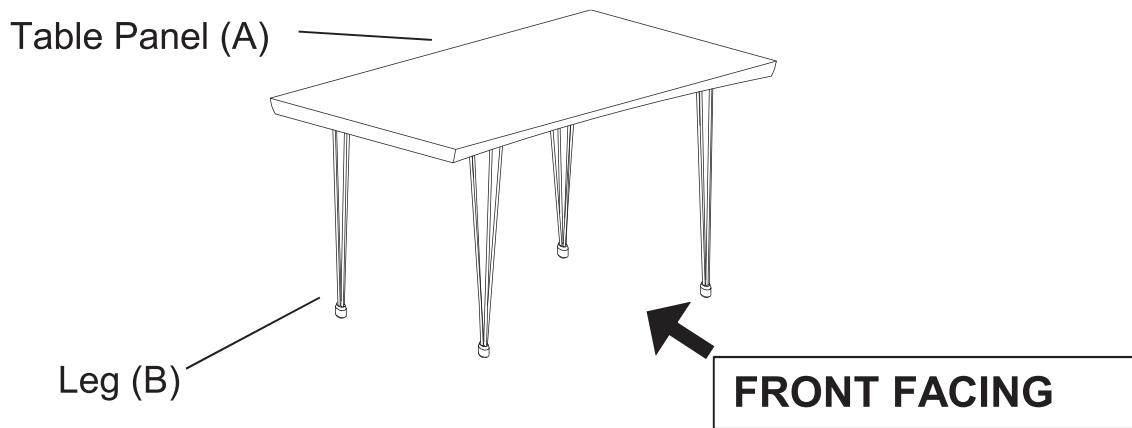
- Assemble on a clean non-marring surface (packing foam)-



- Save all packaging until finished-

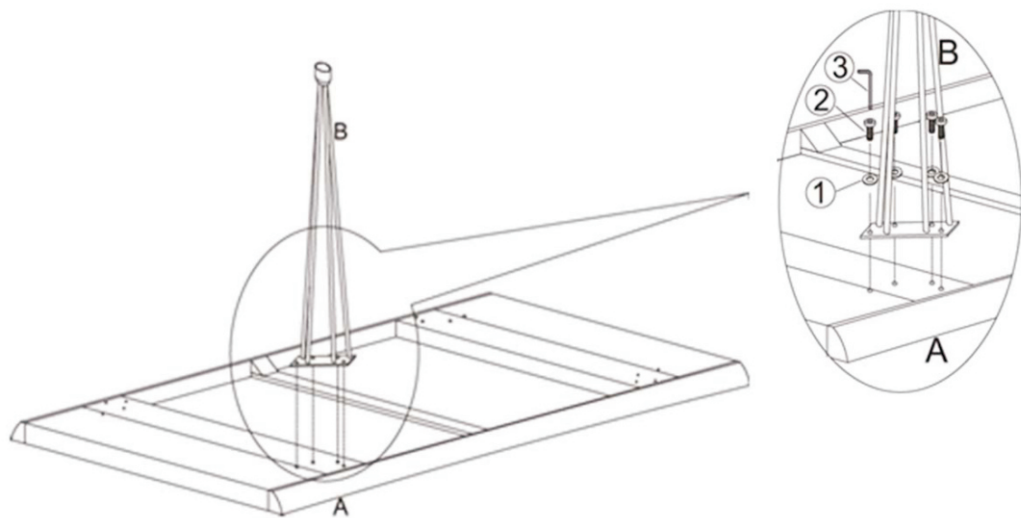
Assembly Steps

Parts Introduction



This Dining Table has multiple parts and may require up to some 30 minutes to assemble. To give you an overview of the Dining Table parts, the above picture is to help you put the various parts into perspective. Please read through the instructions herebelow to familiarise the parts and steps before assembly.

Step 1

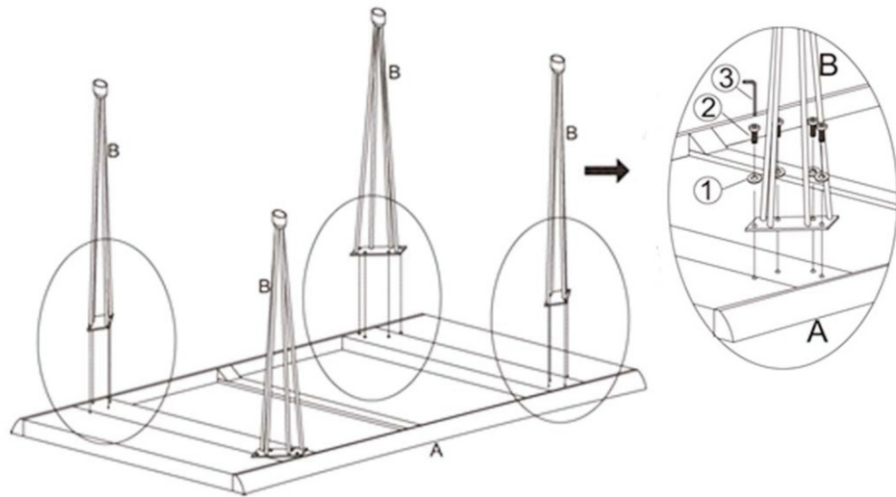


Place the Table Top(A) facedown onto a clean, non-marring surface.

Align the mounting positions on the Table Top(A) and the Leg (B). Attach Leg (B) to Table Top(A) using Washer (1) and Bolts (2) , with Allen Wrench (3) as shown.

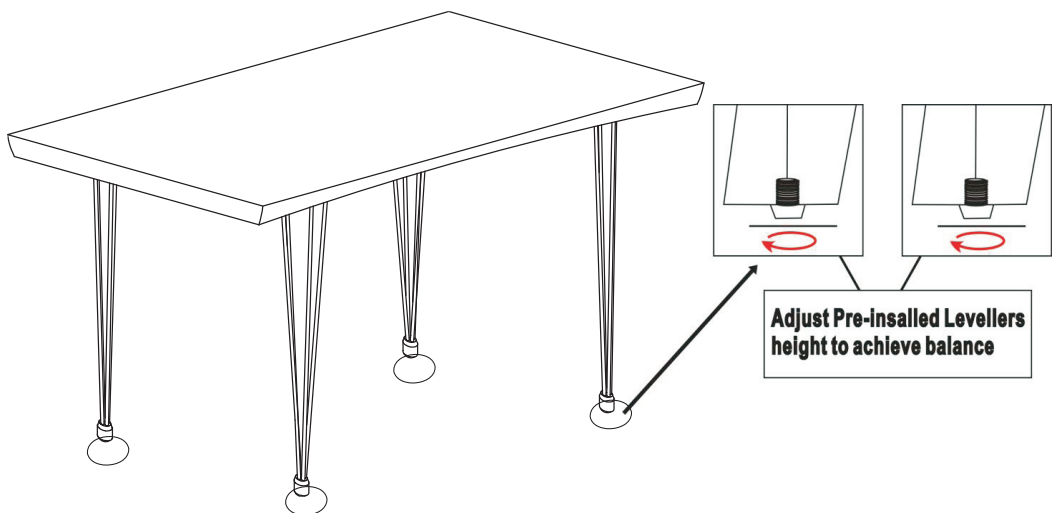
Loosely tighten the Bolts.

Step 2



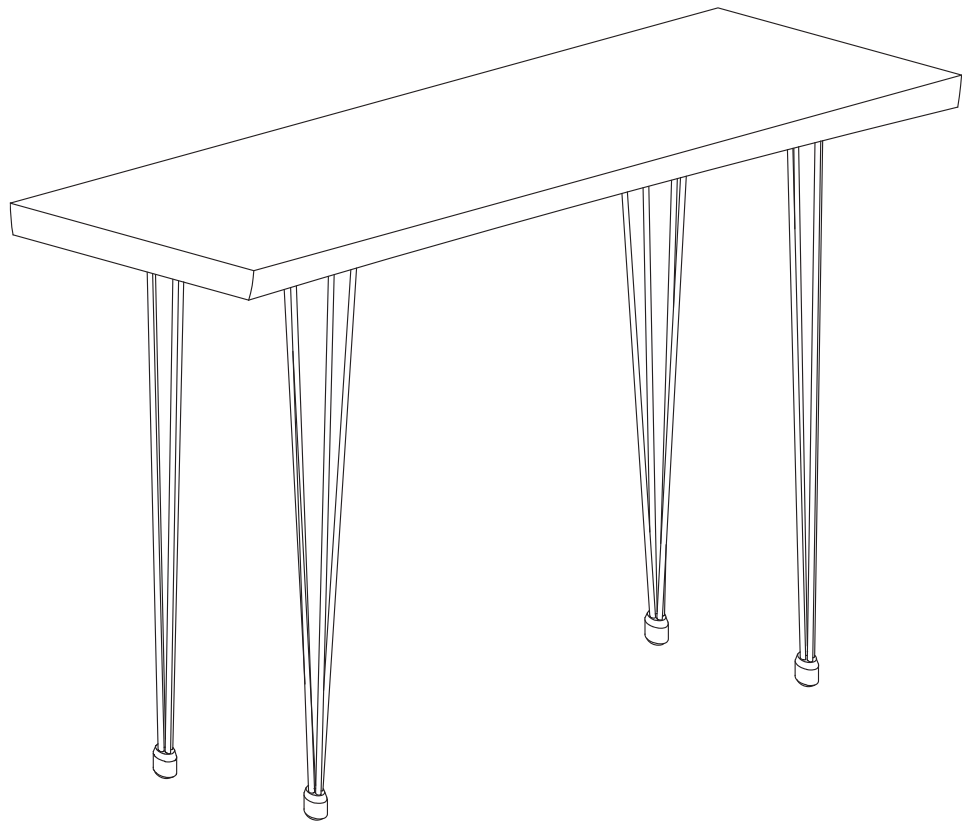
Repeat step 1, attaching the remaining 3 legs to the Table Top (A). Loosely tighten the Bolts.

Step 3



In a sequential manner, drive in and fully tighten all Bolts at all joints. Thereafter, turn the Table right side up. Adjust Pre-installed Levellers at the base of the Legs until the Table is level to the ground..

Step 4



Your Table is ready for use.
This Table can only be used on a flat,level surface.

Care & Maintenance



- Furniture may scratch floors. We recommend using furniture pads to protect your floors.



- Do not put hot items directly on furniture surface.



- Do not clean furniture with harsh cleansers or polish.



- Do not place furniture under direct sunlight.



- Do not place furniture near heating or cooling vents.



- Do not write on furniture without a padded barrier to protect the surface.



- Do not place furniture outside . For indoor use only.



- Not for commercial use. For residential use only.



- Stains may be removed with mild soap solution and damp cloth.



- Children should not climb or jump on the furniture.



- Dust and pick-up spills using a clean, non-colored, lint-free cloth.