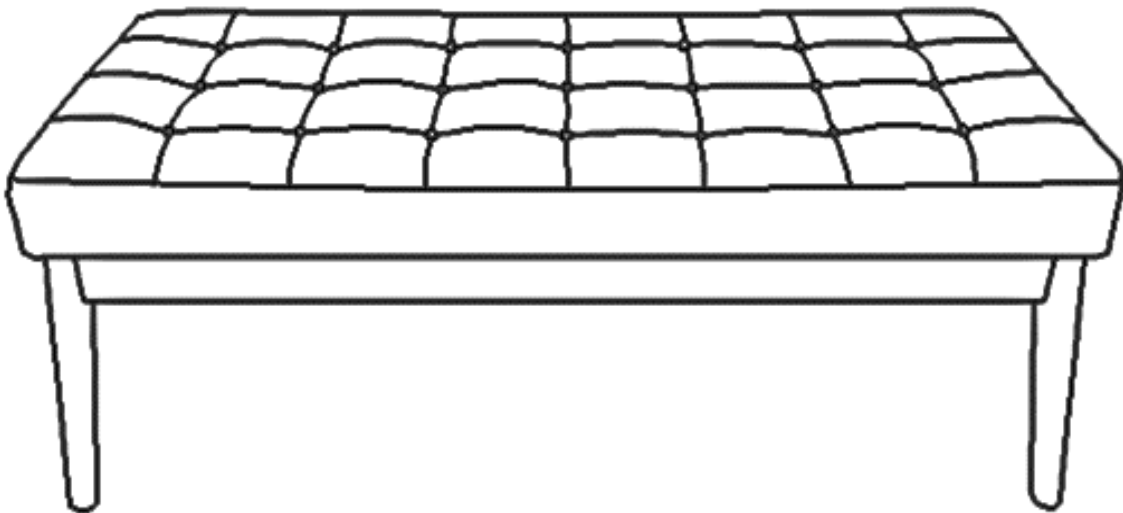


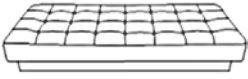

# Assembly Instructions

**Caution : You must read this before you proceed**





## Ottoman



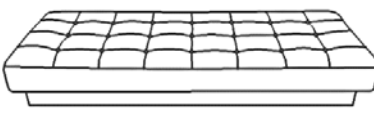





## Parts List

Label	Picture	Description	QTY
A		Seat	1
B		Wooden Leg	4

## Hardware

Label	Picture	Description	QTY
①		Bolt (M8X60mm)	9
②		Washer	9
③		Spring Washer	9
④		Allen Key	1

## Assembly Preparation

<b>Before Beginning Assembly:</b>				X9
				X9
				X9



- Read instructions, cover to cover-



- Have 2 adults on hand for assembly-



- Do not assemble on flooring or carpet-



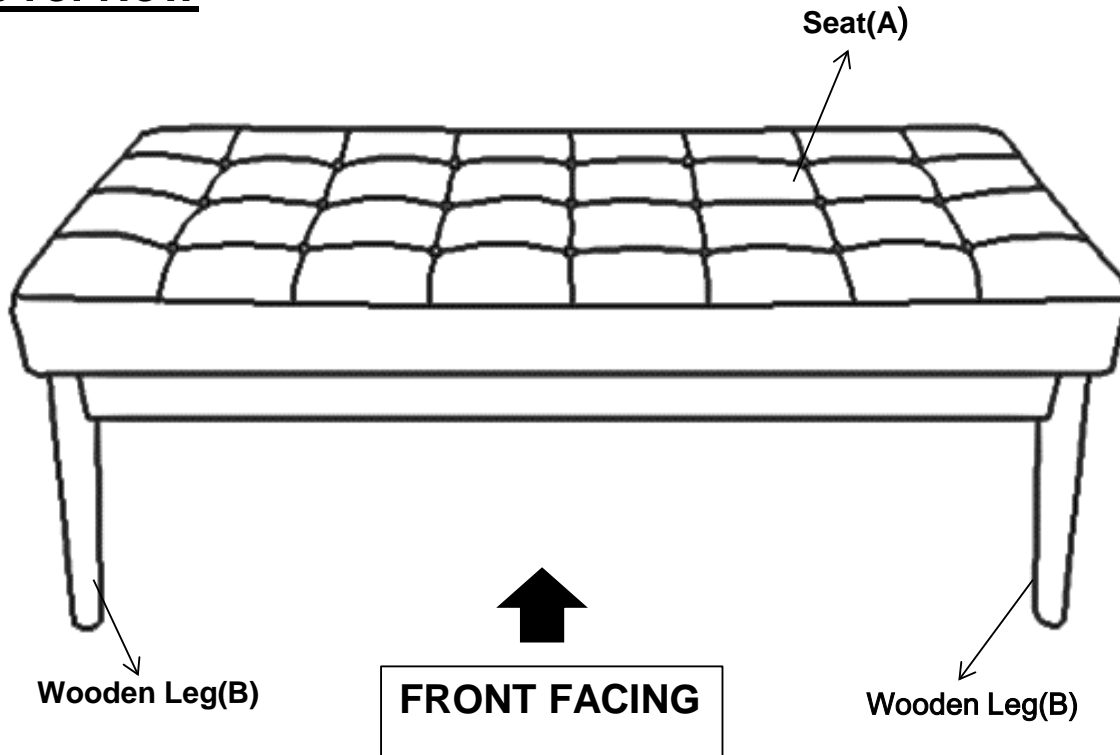
- Assemble on a clean non-marring surface (packing foam)-



- Save all packaging until finished-

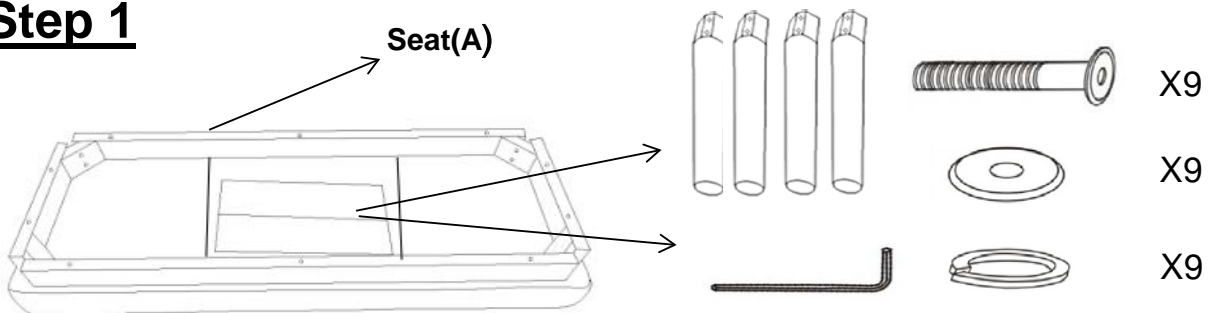
# Assembly Steps

## Overview



This Ottoman has multiple parts and may require up to 30 minutes to assemble. To give you an overview of the Ottoman parts, the above picture is to help you put the various parts into perspective. Please read through the instructions below to familiarise yourself with the parts and steps before assembly.

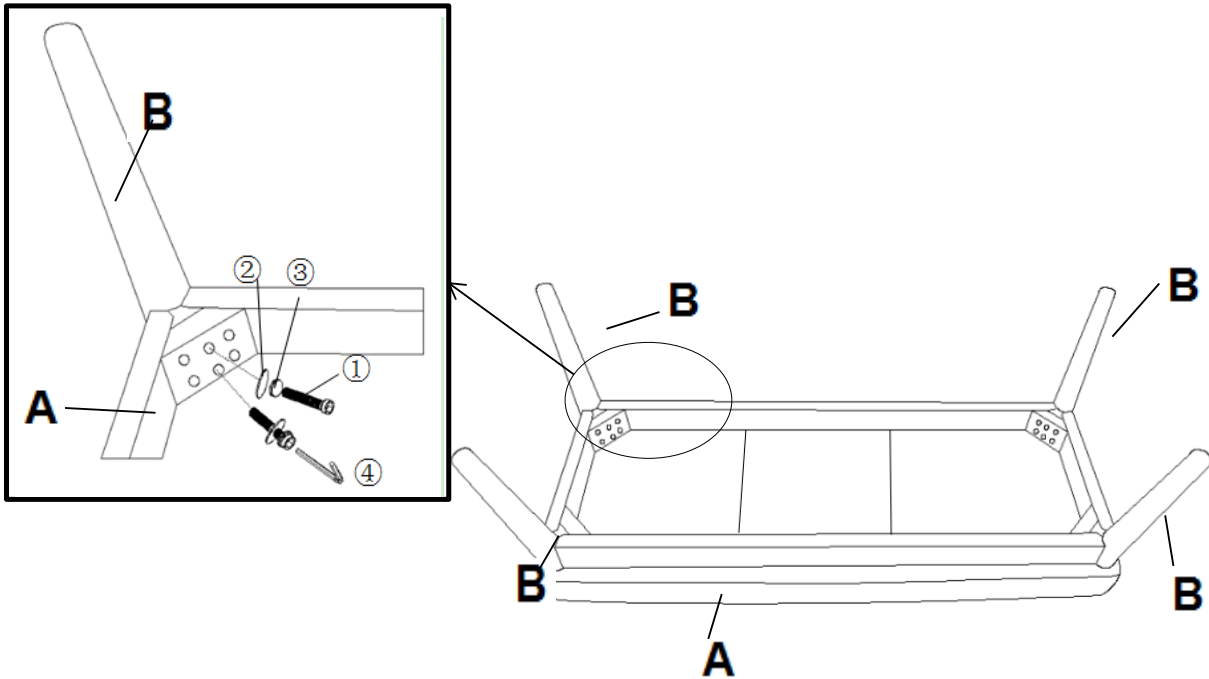
## Step 1



Place the Seat(A) on a clean, non-marring surface with the bottom facing up, as shown in picture above.

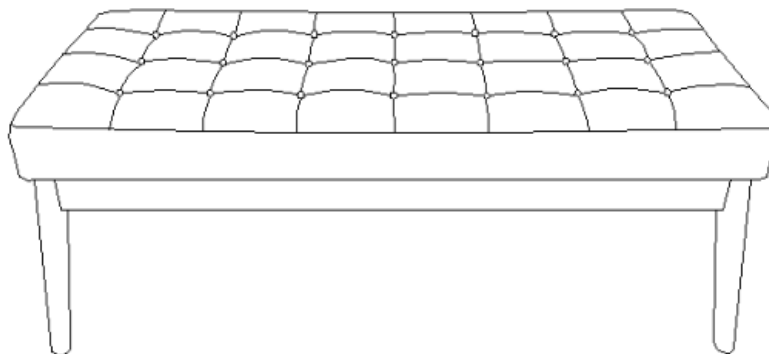
Take out the package at the bottom of the Seat (A).  
Open up this package and remove the Wooden Legs(B), Bolts(①), Washers(②), Spring Washers(③) and Allen Key(④)

## Step 2



Insert one Wooden Leg(B) into the mounting position of the Seat(A).  
Attach Wooden Leg(B) to Seat(A) using Bolt(①), Spring Washer(③) and Washer (②) with Allen Key(④).  
**Do not fully tighten the Bolts.**  
Repeat the same process to attach the remaining three Wooden Legs(B).

## Step 3



Stand the Ottoman up.

Place the Ottoman on a **LEVEL SURFACE**.

Inspect it and make sure all parts are adequately connected.

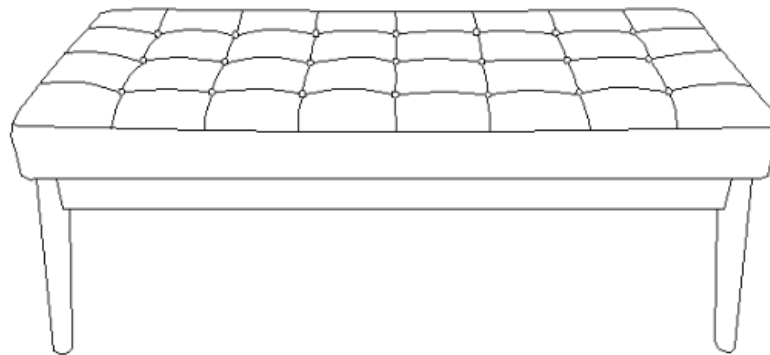
Gently and carefully, sit on the Ottoman.

This will help to align all parts at all joints.

Then get off the Ottoman, and carefully place the Ottoman facedown. Then proceed to tighten all Bolts at all joints in a sequential manner.

**If there are still wobbles, loosen the Bolts and execute the same process.**

## **Step 4**













Stand the Ottoman up.

Your Ottoman is ready for use.

**This Ottoman can only be used on a flat, level surface.**

## Care & Maintenance

-  Do not put hot items directly on furniture surface
  -  Do not clean furniture with harsh cleansers or polish.
  -  Do not place furniture under direct sunlight.
  -  Do not place furniture near heating or cooling vents.
  -  Do not write on furniture without a padded barrier to protect the surface.
  -  Do not place furniture outside . For indoor use only .
  -  Not for commercial use. For residential use only .
  -  Stains may be removed with mild soap solution and damp cloth.
  -  Children should not climb or jump on the furniture.
- 
-  Dust and pick-up spills using a clean, non-colored, lint-free cloth .