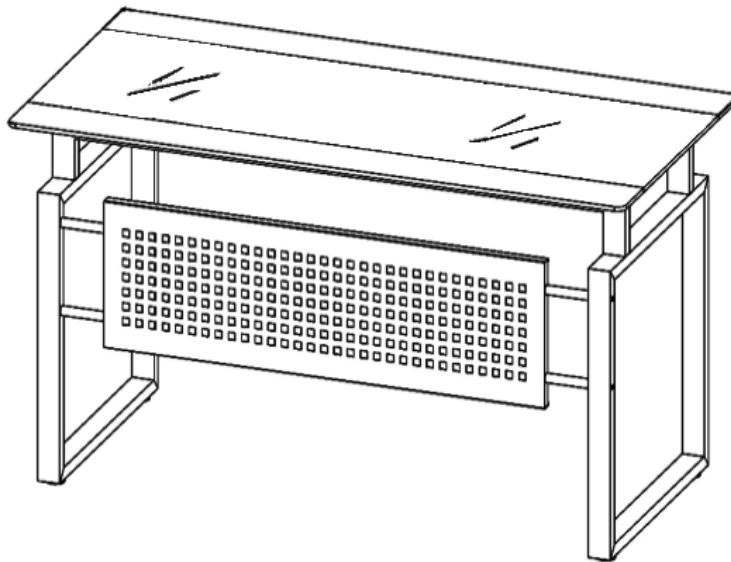


# Assembly Instructions

**Caution :** You must read this before you proceed

## COMPUTER TABLE



Dear Customer: Thank You for purchasing one of our products, We hope you will enjoy it.

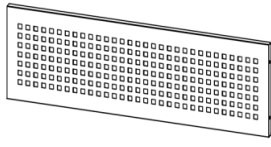

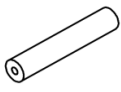
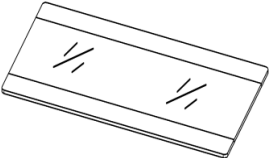
**Attention:** Do not fully tighten the screws before all screws are in place.

**General Care:** Keep your furniture out of direct sunlight. Use desk pads and coasters to protect the surface from dents, scratches, and moisture condensation from hot or cold liquids.





**Cleaning:** For cleaning, wipe the surface with damp (not wet) cloth or wipe dry with a clean lint free cotton cloth. Window cleaning liquid or similar cleaning products can be used to clean the glass surfaces.



### Parts List

Label	Picture	Description	QTY
A	A line drawing of a metal leg, which is a rectangular frame with a double-line border and small circles at the corners, representing screws or fasteners.	Metal Leg	2

B		Metal Connection Board	1
C		Metal Support Tube	2
D		Metal Tube	4
E		Glass Table Top	1

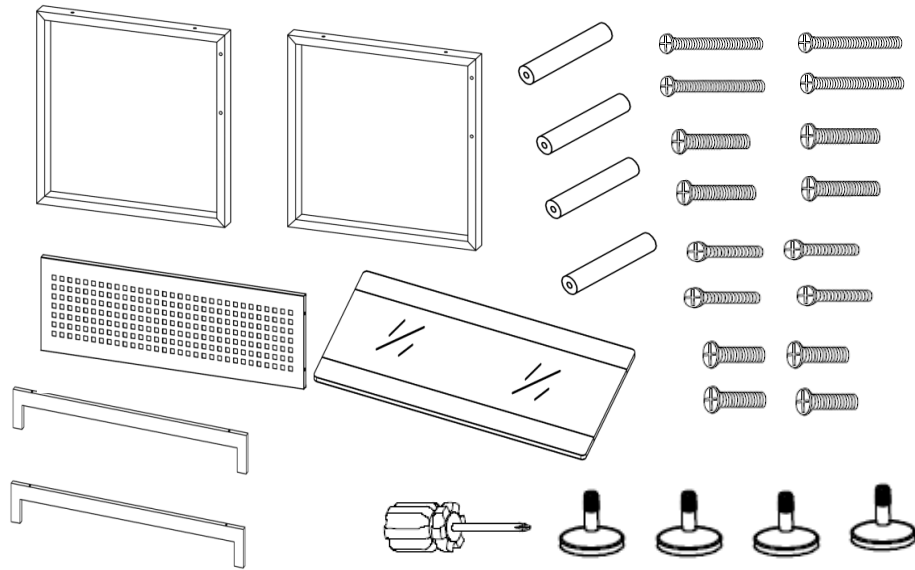
## Hardware

Label	Picture	Description	QTY
①		Bolt (M6x60mm)	4
②		Bolt (M6x55mm)	4
③		Bolt (M6x45mm)	4
④		Bolt (M6x30mm)	4

⑤		Adjustable Glider Foot	4
⑥		Screwdriver	1

## Assembly Preparation

Before Beginning Assembly:



- Read instructions, cover to cover-



- Have 2 adults on hand for assembly-



- Do not assemble on flooring or carpet-



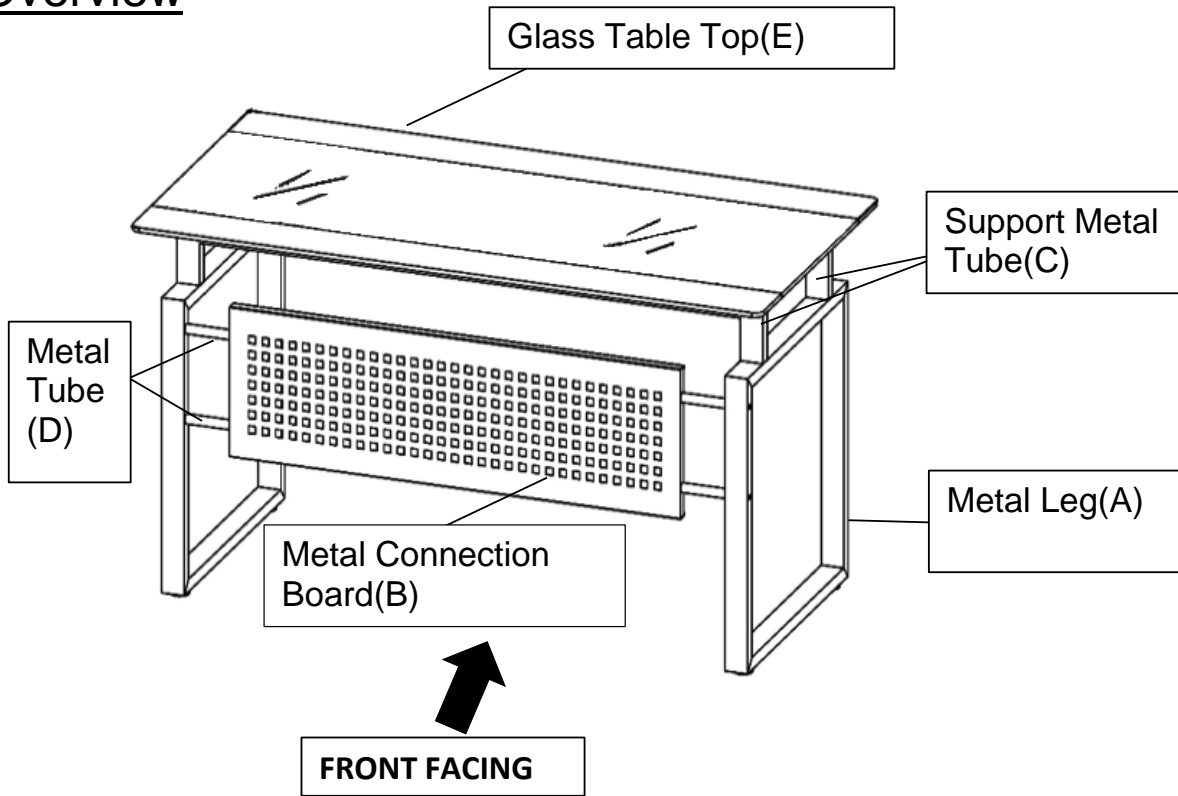
- Assemble on a clean non-marring surface (packing foam)-



- Save all packaging until finished-

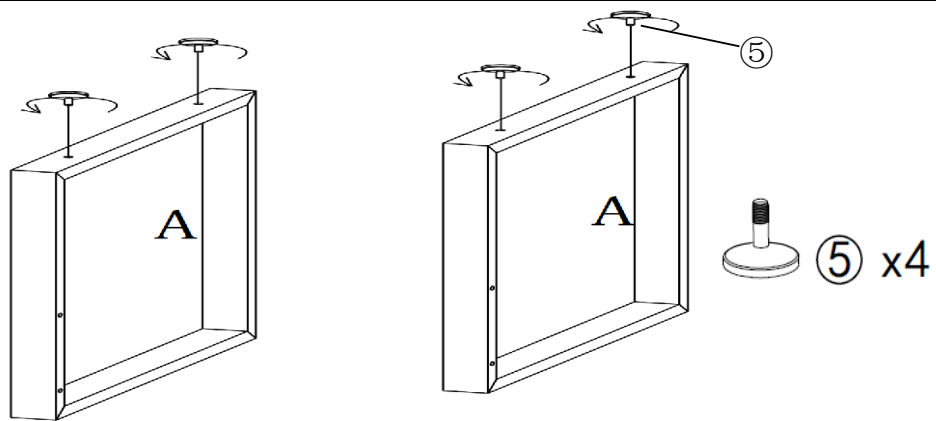
# Assembly Steps

## Overview



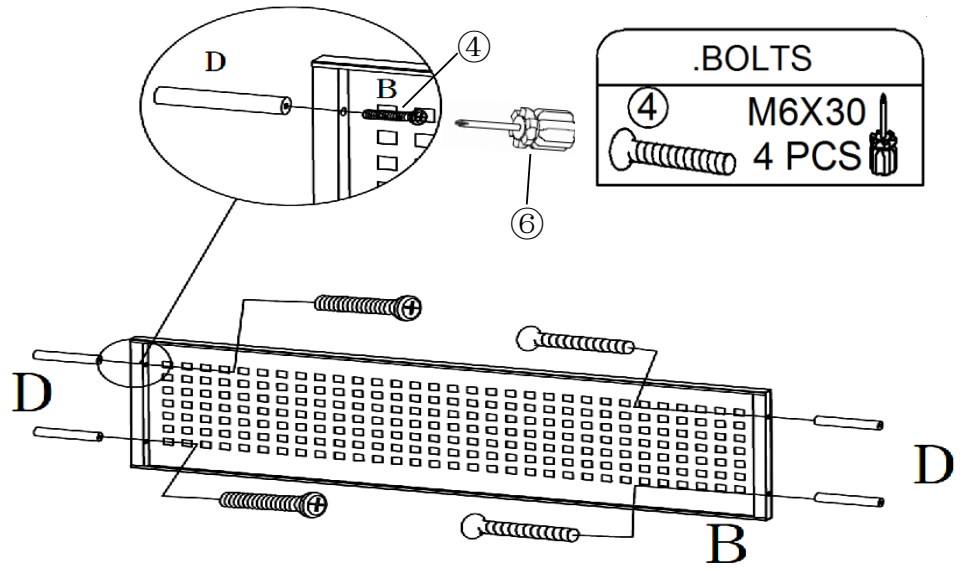
This Computer Table has multiple parts and may require up to 60 minutes to assemble. To give you an overview of the Computer Table parts, the above picture is to help you put the various parts into perspective. Please read through the instructions below to familiarise yourself with the parts and steps before assembly.

## Step 1



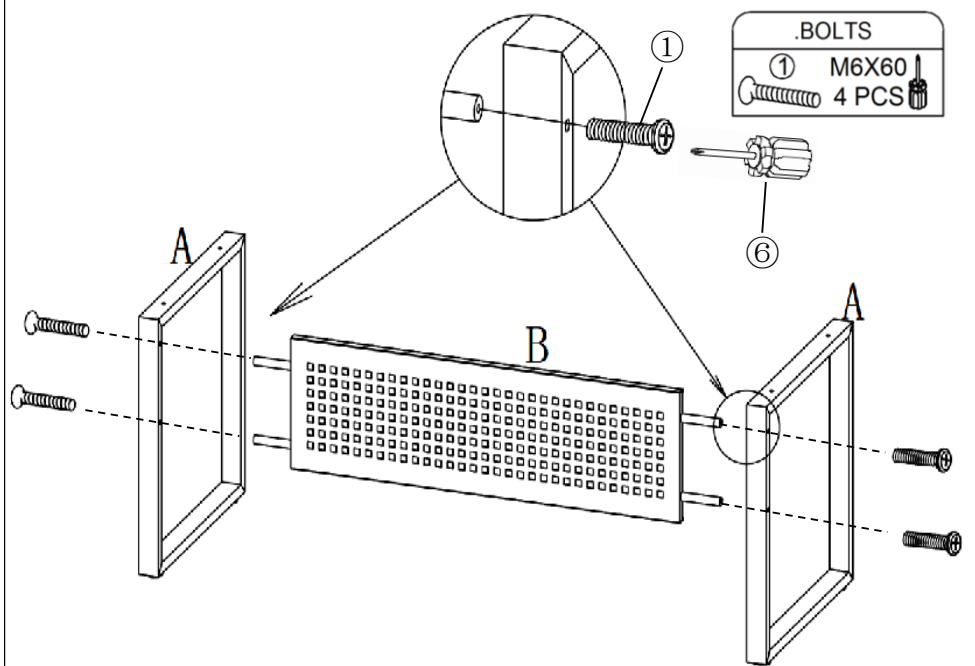
Screw-in the four Adjustable Glider Feet(5) into the bottom of the two Metal Legs(A) by hand.

## Step 2



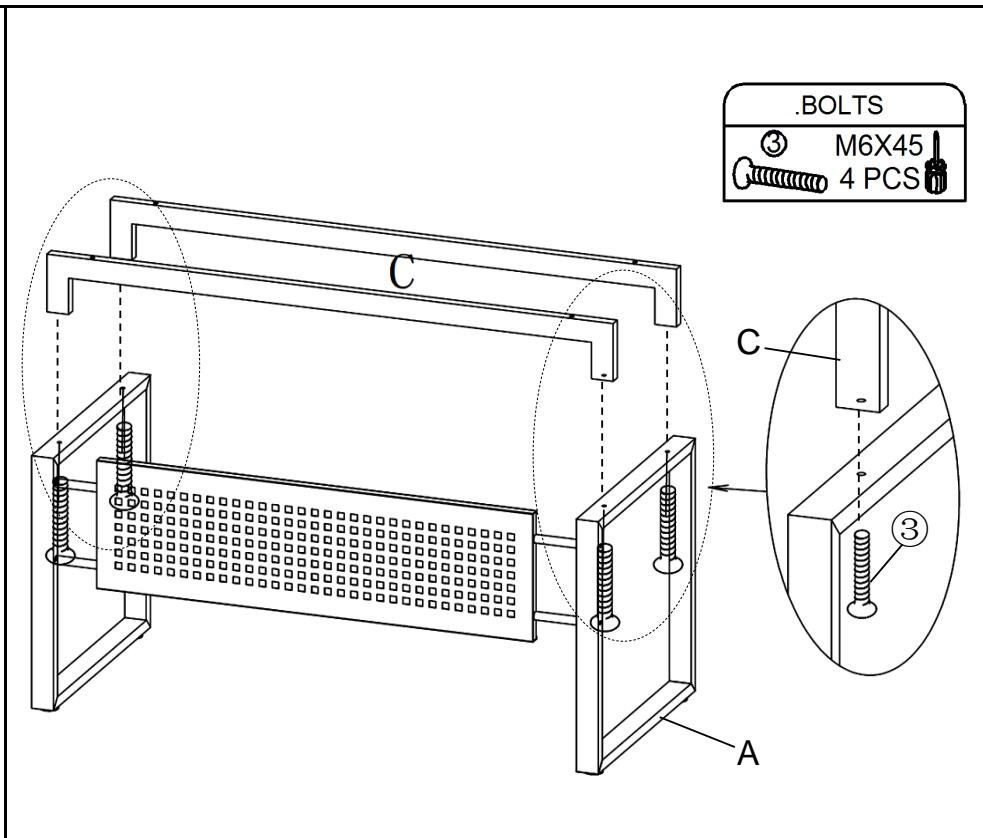
Attach four Metal Tubes(D) into Metal Connection Board(B) using Bolts(④) with Screwdriver(⑥)  
**Tighten Bolts completely.**

## Step 3



With assistance from your adult partners, Attach the two Metal Legs(A) to Metal Connection Board(B) using Bolts(①) with Screwdriver (⑥)  
**At this stage, Do not fully tighten Bolts .**

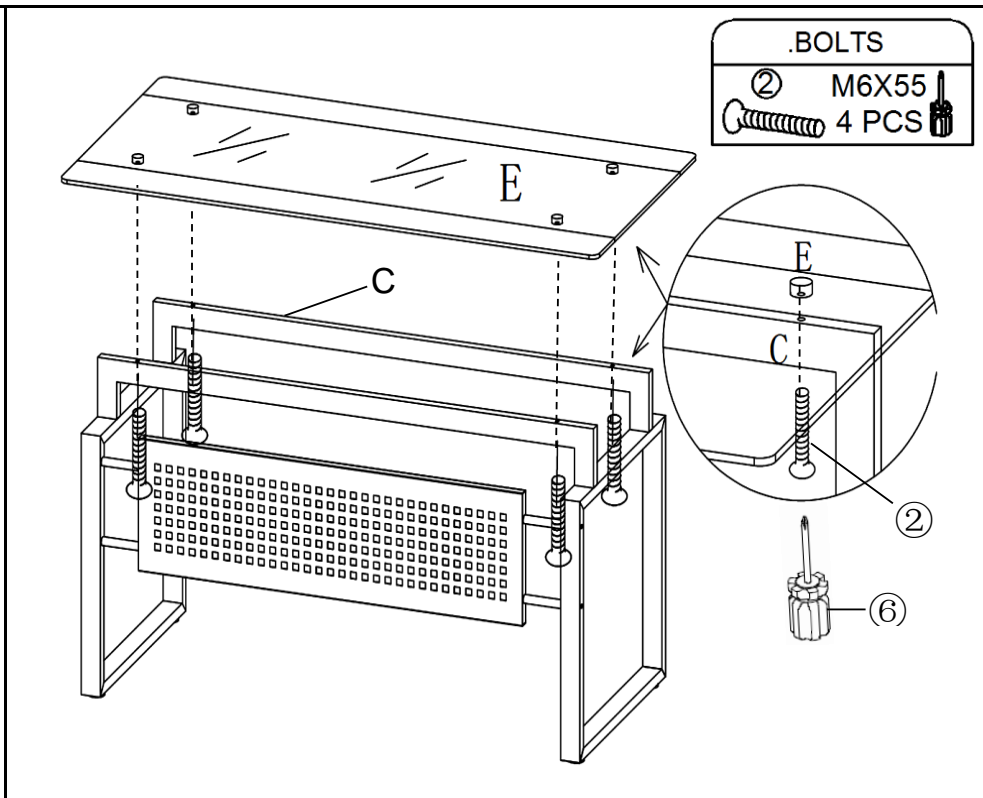
## Step 4



Attach two Metal Support Tubes(C) to two Metal Leg(A) using Bolts(③) with Screwdriver(⑥)

**At this stage, Do not fully tighten Bolts .**

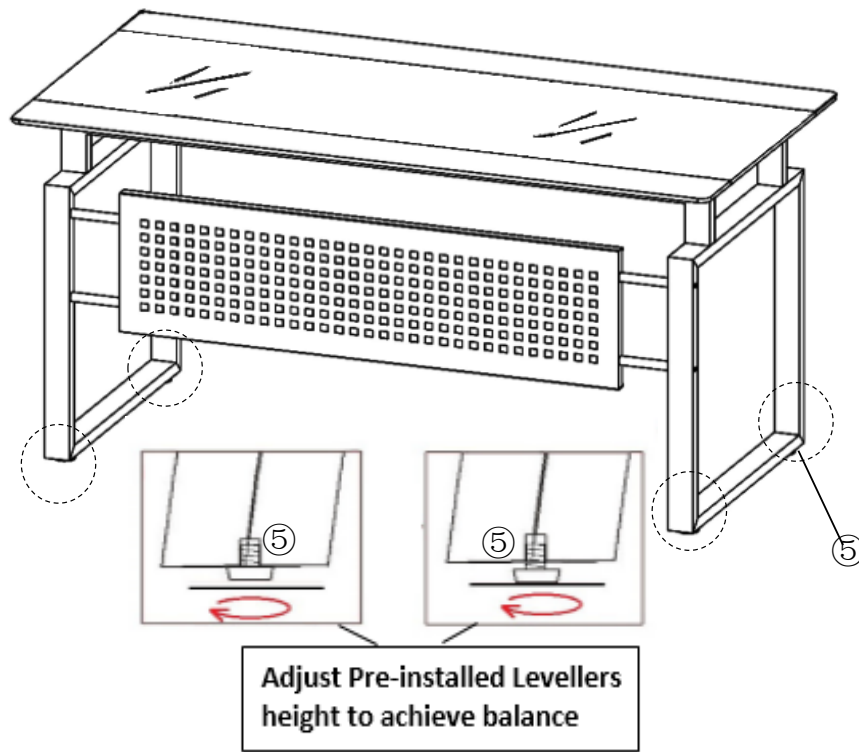
## Step 5



Attach Glass Table Top(E) to Metal Support Tubes(C) using Bolts(②) with Screwdriver(⑥)

**Tighten all Bolts at all joints completely.**

## Step 6























Your Computer Table is ready for use.

If the Table wobbles adjust the Adjustable Glider Feet(5) at the bottom of the Legs until the Computer Table is level.

**This Computer Table can only be used on a flat, level surface.**

## Care & Maintenance

-   ● Do not put hot items directly on furniture surface
  -   ● Do not clean furniture with harsh cleansers or polish.
  -   ● Do not place furniture under direct sunlight.
  -   ● Do not place furniture near heating or cooling vents.
  -   ● Do not write on furniture without a padded barrier to protect the surface.
  -   ● Do not place furniture outside . For indoor use only .
  -   ● Not for commercial use. For residential use only .
  -   ● Stains may be removed with mild soap solution and damp cloth.
  -   ● Children should not climb or jump on the furniture.
- 
-   ● Dust and pick-up spills using a clean, non-colored, lint-free cloth .

### What is Proposition 65?

Proposition 65 is a California law that requires warning labels on products that may contain one of more than 800-plus chemicals or ingredients that the California Office of Environmental Health Hazard Assessment (OEHHA) has deemed to cause cancer or other reproductive toxicity. Chemicals and elements on this list include wood dust, brass, and other everyday substances, which can be found in very common household items, such as: lamps, tableware, jewelry, crystal glasses, electric cords, beauty products, automobiles, and furniture.

### Why Did I Find a Proposition 65 Warning on My Home Goods Product?

We include Proposition 65 warnings on all of our products because there is always a chance that one of the 800-plus common chemicals and ingredients listed under this law could potentially be on our furniture or packing materials. We risk large fines under this law, if we don't include this warning.

### Should I worry?

We realize you may be worried finding this warning on our products, but we want to reassure you that the hazardous exposure limits for any of these chemicals have never been found on furniture products that we've shipped to our customers. Additionally, this warning label is very common and can be found on almost every piece of furniture sold in the state of California.

### Just How Common Are Proposition 65 Warnings?

Proposition 65 warnings have become so common in California that it is hard to take a trip to a local bank, grocery store, or restaurant without finding at least one warning. In fact, even the Disney Land Resort has a Proposition 65 warning:

