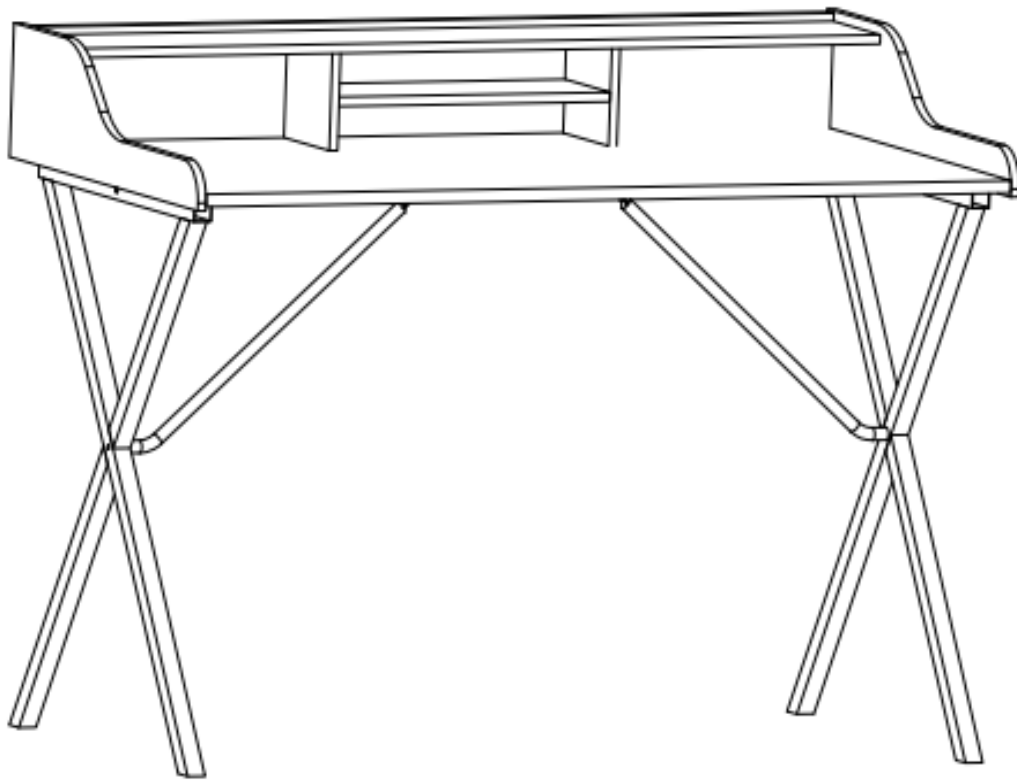


Assembly Instructions

Caution : You must read this before you proceed

Please look in the velcro pouch for hardware packs and legs.

Computer Table



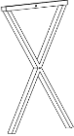


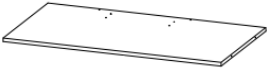
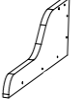





Thank You for purchasing one of our products, please carefully read through the instructions below.

Caution: The Table Top and other parts are heavy.
Two adults are required whenever lifting or moving them.







General Care: Keep your furniture out of direct sunlight. Use desk pads and coasters to protect the surface from dents, scratches, and moisture condensation from hot or cold liquids.

Cleaning: To clean, wipe the surface with damp (not wet) cloth or wipe dry with a clean lint free cotton cloth.

Parts List

Label	Picture	Description	QTY
A		Metal Leg	2
B		Shelf Side Panel	2
C		Shelf Middle Panel	1
D		Table Top	1
E		Left Side Panel	1
F		Right Side Panel	1
G		Upper Shelf	1
H		Back Panel	1
I		Rail	1
J		Leg Support Rail	2

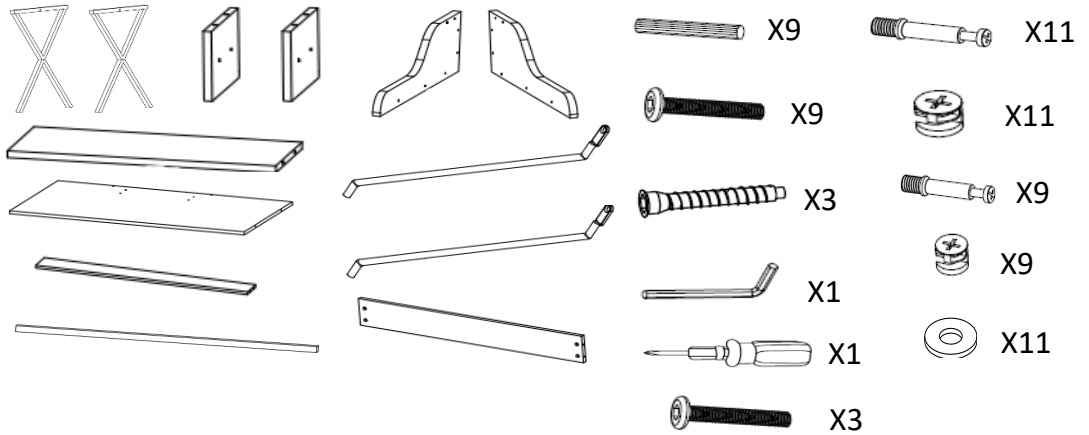
Hardware

Label	Picture	Description	QTY
①		Positioning Dowel	9
②		Cam Bolt (L40mm)	11
③		Cam Lock(φ15mm)	11
④		Cam Bolt (L25mm)	9
⑤		Cam Lock(φ12mm)	9
⑥		Bolt (M6x35mm)	9

⑦		Bolt (M7x50mm)	3
⑧		Allen Wrench	1
⑨		Screwdriver	1
⑩		Washer	11
⑪		Bolt (M6x40mm)	3

Assembly Preparation

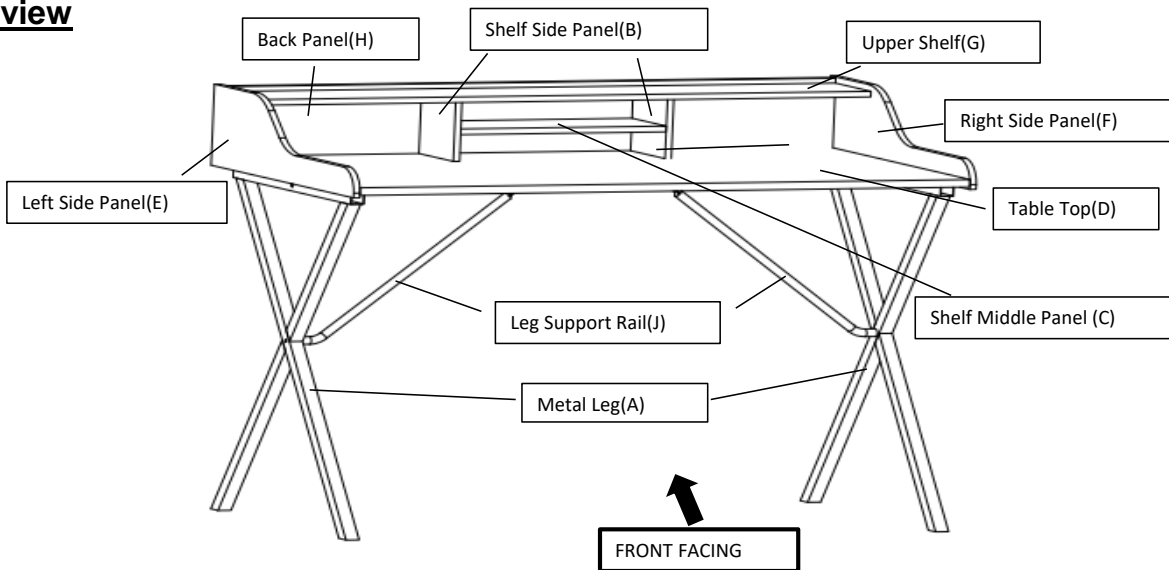
Before Beginning Assembly:



- Read instructions, cover to cover-
- Have 2 adults on hand for assembly-
- Do not assemble on flooring or carpet-
- Assemble on a clean non-marring surface (packing foam)-
- Save all packaging until finished-

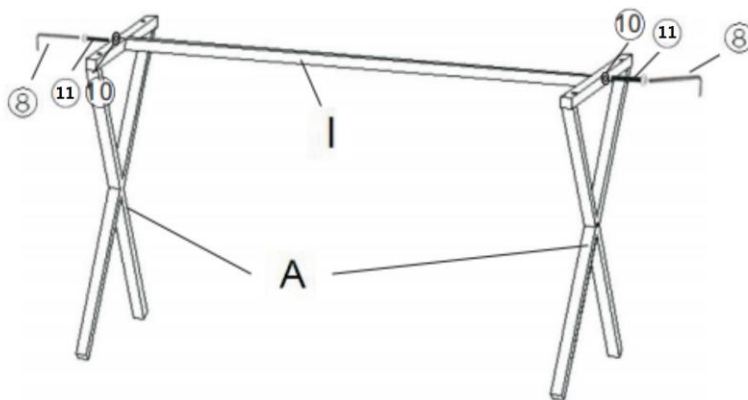
Assembly Steps

Overview



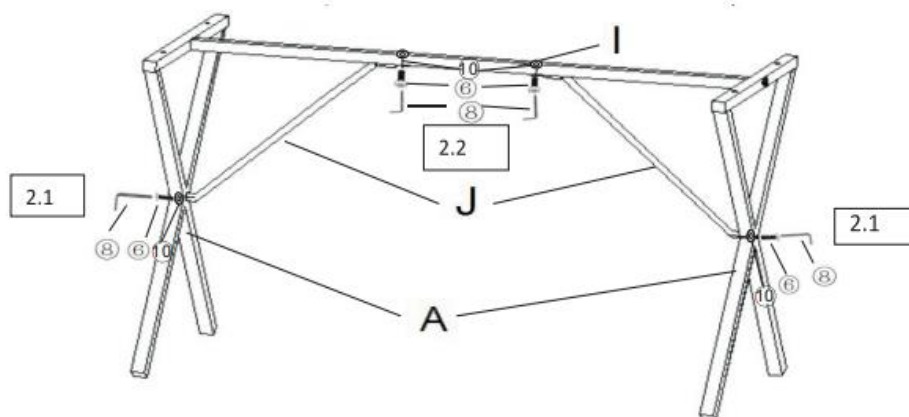
This Table has multiple parts and may require up to 60 minutes to assemble. To give you an overview of the Table parts, the above picture is to help you put the various parts into perspective. Please read through the instructions below to familiarise yourself with the parts and steps before assembly.

Step 1



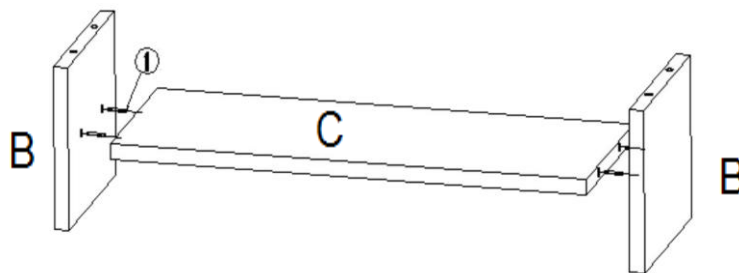
With assistance of your adult partner, attach the Rail(I) between the Metal Legs(A) using Bolts(11) with Allen Wrench(8) and Washers(10).
Do not tighten any Bolts until all are in place.

Step 2



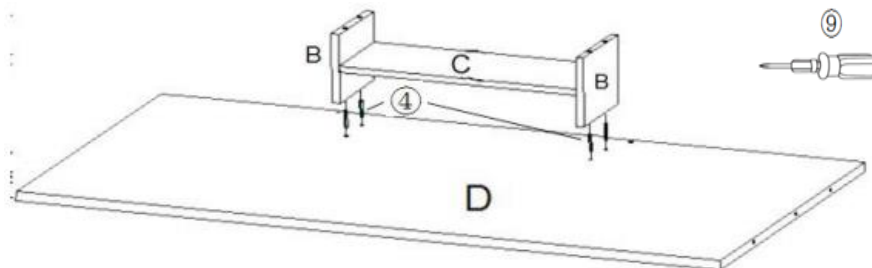
2.1) Attach Leg Support Rails(J) to Metal Legs(A) using Bolts(6) with Allen Wrench(8) and Washers(10).
2.2) Attach the Leg Support Rails(J) to Rail(I) using Bolts(6) with Allen Wrench(8) and Washers(10).
Do not tighten any Bolts until all are in place.

Step 3



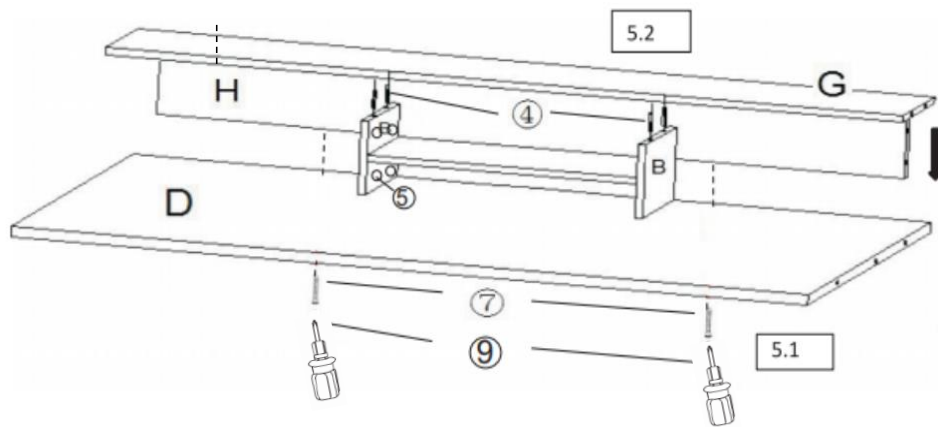
Attach Shelf Middle Panel(C) between Shelf Side Panels(B) using Positioning Dowels(1).

Step 4



Attach assembled Shelf to the Table Top(D) using Cam Bolt (4) with Screwdriver(9).

Step 5

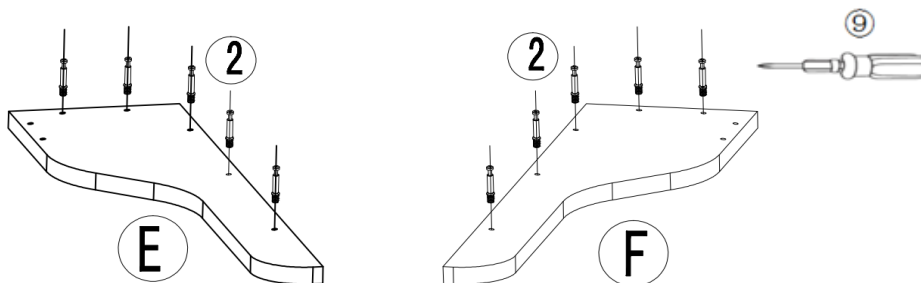


5.1) Attach Back Panel(H) to Table Top(D) using Bolts(7) with Screwdriver(9).

5.2) Attach Upper Shelf(G) to Shelf Side Panel(B) using Cam Bolt (4) with Screwdriver(9) and Cam Lock (5).

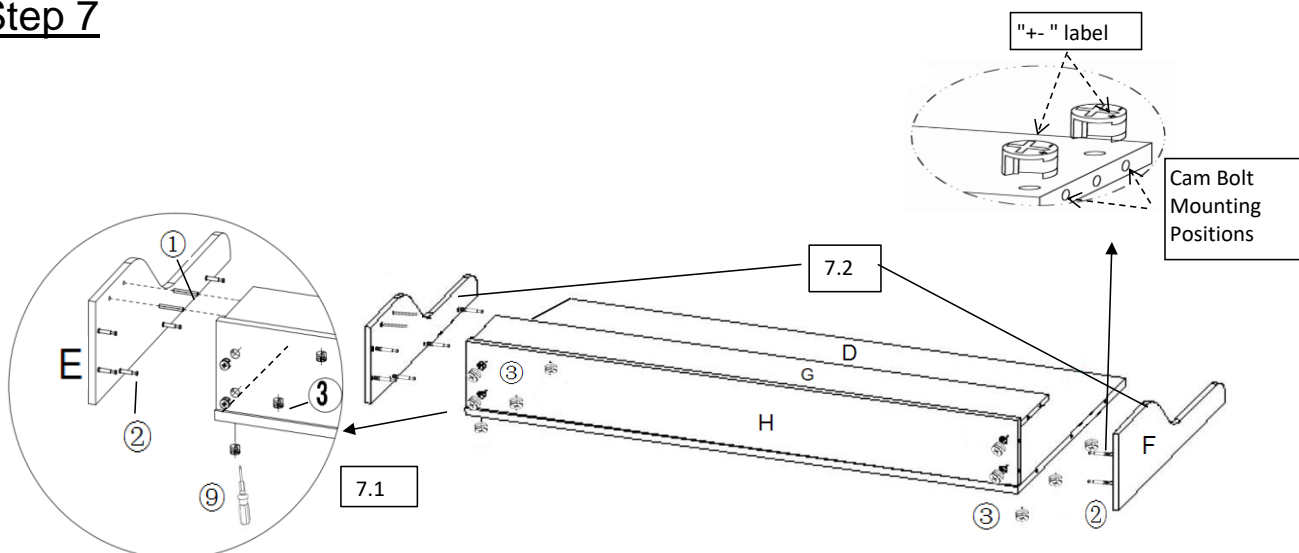
Do not tighten any Bolts until all are in place.

Step 6



Attach Cam Bolts(2) to Left Side Panel(E) and Right Side Panel(F) using Screwdriver(9) as pictured.

Step 7

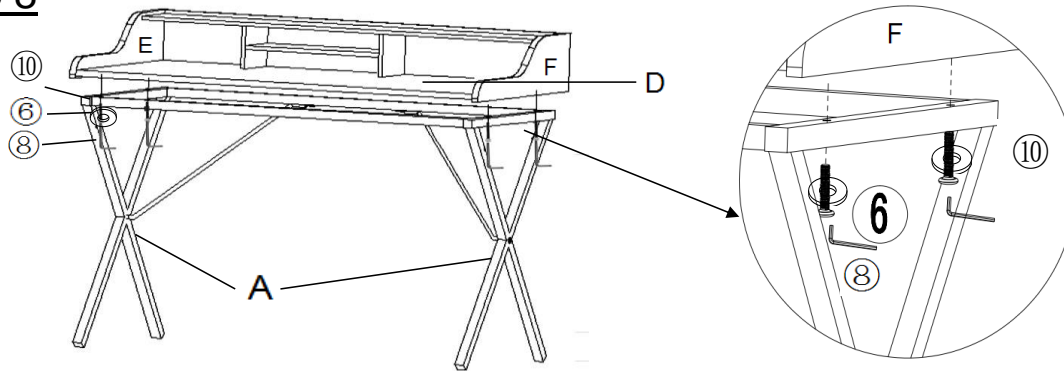


7.1) Insert Cam Locks(3) into Back Panel(H) and Table Top(D) with Screwdriver(9).

7.2) Insert Positioning Dowels(1) into Left Side Panel(E) and Right Side Panel(F), then insert Left Side Panel(E) and Right Side Panel(F) into Shelf Assembly.

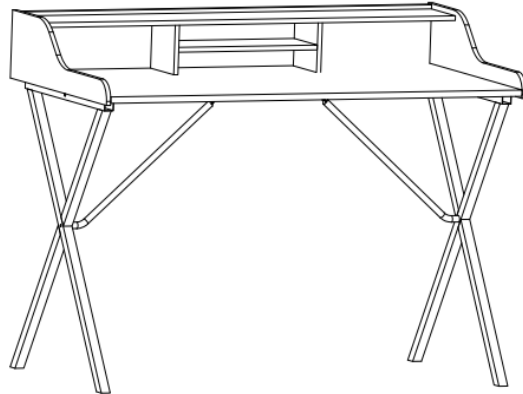
Attach Left Side Panel(E) and Right Side Panel(F) to Shelf Assembly by turning the Cam Locks with Screwdriver(9) until they "Lock".

Step 8



Attach Assembled Table Top(D) to Metal Legs(A) using Bolts(6) with Allen Wrench(8) and Washers(10). Do not tighten any Bolts until all are in place.























Step 9



Inspect and make sure all parts are in place, and all Bolts are securely tightened. Your Computer Table is ready for use.

This Computer Table can only be used on a flat, level surface.

Care & Maintenance

- | | |
|---|---|
|   | ● Furniture may scratch floors. We recommend using furniture pads to protect your floors. |
|   | ● Do not put hot items directly on furniture surface. |
|   | ● Do not clean furniture with harsh cleansers or polish. |
|   | ● Do not place furniture under direct sunlight. |
|   | ● Do not place furniture near heating or cooling vents. |
|   | ● Do not write on furniture without a padded barrier to protect the surface. |
|   | ● Do not place furniture outside . For indoor use only. |
|   | ● Not for commercial use. For residential use only. |
|   | ● Stains may be removed with mild soap solution and damp cloth. |
|   | ● Children should not climb or jump on the furniture. |
|   | ● Dust and pick-up spills using a clean, non-colored, lint-free cloth. |

Questions & Answers about Proposition 65

- What is Proposition 65?

Proposition 65 requires businesses to provide warnings to Californians about significant exposures to chemicals that cause cancer, birth defects or other reproductive harm. These chemicals can be in the products that Californians purchase, in their homes or workplaces, or that are released into the environment. By requiring that this information be provided, Proposition 65 enables Californians to make informed decisions about their exposures to these chemicals.

Proposition 65 also prohibits California businesses from knowingly discharging significant amounts of listed chemicals into sources of drinking water.

Proposition 65 requires California to publish a list of chemicals known to cause cancer, birth defects or other reproductive harm. This list, which must be updated at least once a year, has grown to include approximately 900 chemicals since it was first published in 1987.

- What types of chemicals are on the Proposition 65 list?

The list contains a wide range of naturally occurring and synthetic chemicals that include additives or ingredients in pesticides, common household products, food, drugs, dyes, or solvents. Listed chemicals may also be used in manufacturing and construction, or they may be byproducts of chemical processes, such as motor vehicle exhaust.

- What does a warning mean?

If a warning is placed on a product label or posted or distributed at a workplace, a business, or in rental housing, the business issuing the warning is aware or believes that it is exposing individuals to one or more listed chemicals.

By law, a warning must be given for listed chemicals unless the exposure is low enough to pose no significant risk of cancer or is significantly below levels observed to cause birth defects or other reproductive harm.

- Where can I get more information on Proposition 65?

If you have specific questions on the administration or implementation of Proposition 65, you can contact OEHHA's Proposition 65 program at P65.Questions@oehha.ca.gov, or by phone at (916) 445-6900.