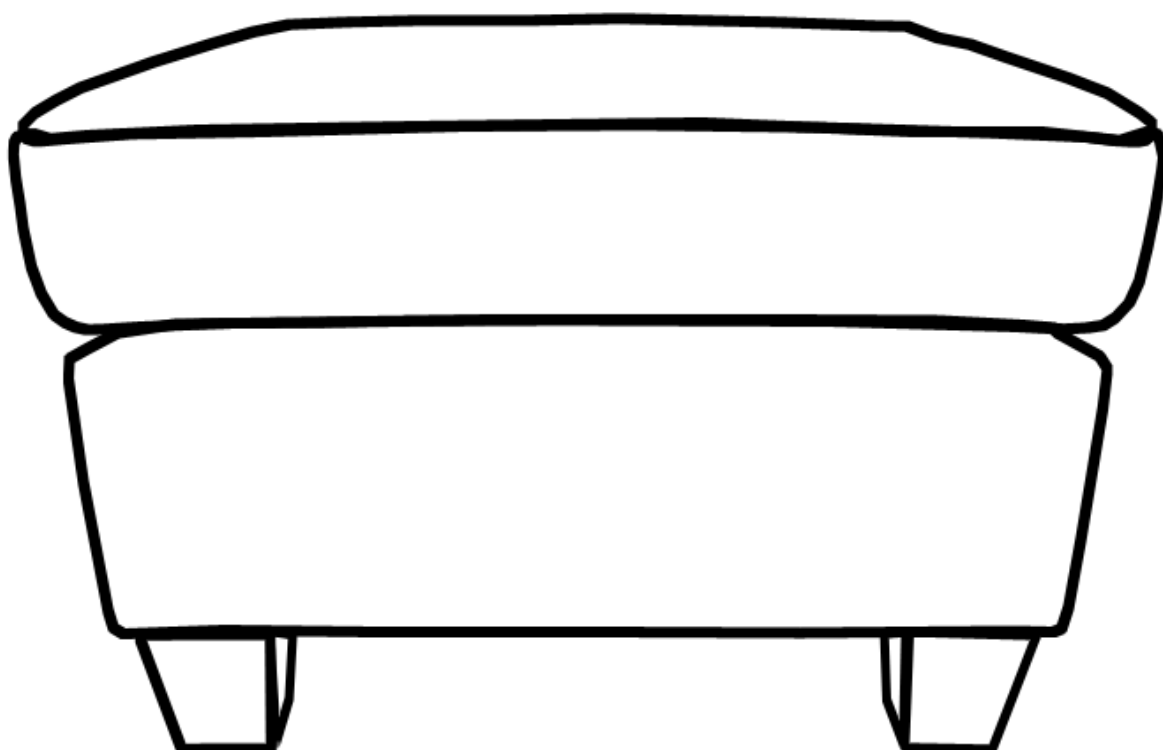


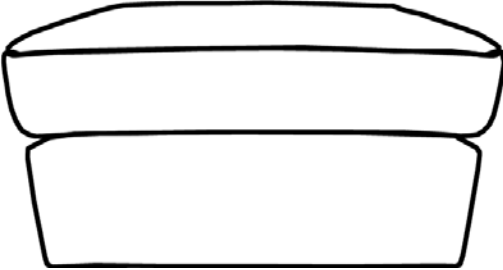

Assembly Instructions

Caution: You must read this before you proceed.


Ottoman



Parts List

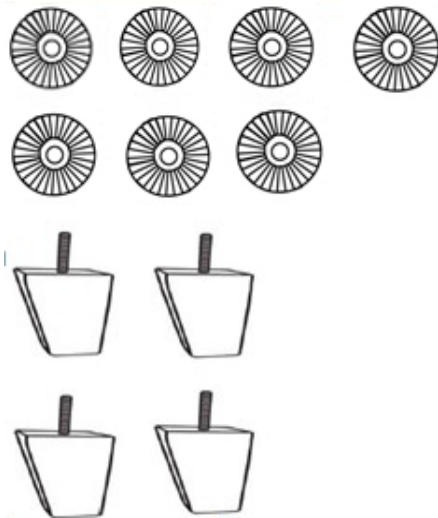
Label	Picture	Description	QTY
A		Ottoman	1PC
B		Wooden Legs	4PCS

Hardware

Label	Picture	Description	QTY
1		Washer Rings	7PCS

Assembly Preparation

Before Beginning Assembly: Unpack all the parts for a clear overview.



- Read instructions, cover to cover-



- Have 2 adults on hand for assembly-



- Do not assemble on flooring or carpet-



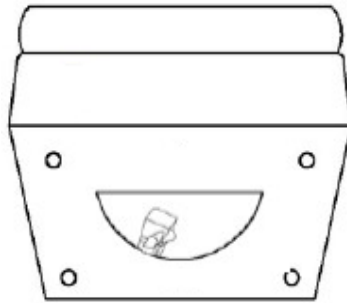
- Assemble on a clean non-marring surface (packing foam)-



- Save all packaging until finished-

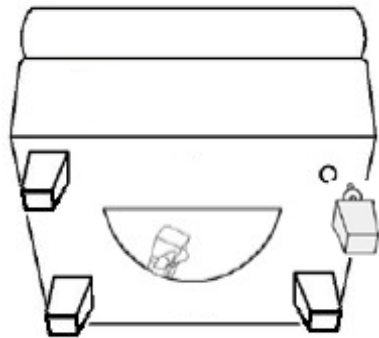
Assembly Steps

Step
1



Position the Ottoman on its side, as shown.
Unzip the zipper from the underside of Ottoman and take out the wooden legs and Washer Rings. Close the pouch.

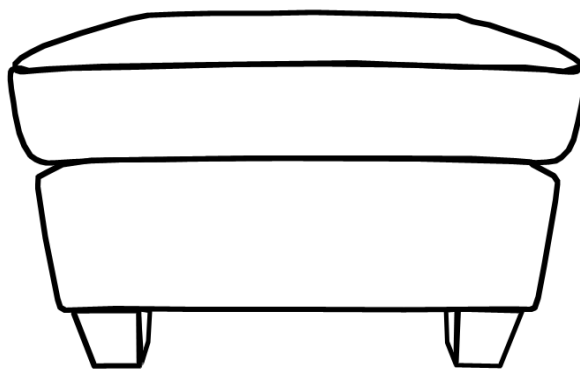
Step
2



**Use Washer Ring to
achieve stability**

Install the leg into the Ottoman by putting a Washer Ring (optional) on the threaded stem and then insert the threaded stem into the threaded hole at each corner of the bottom of the Ottoman.
Tighten by turning leg clockwise.
Repeat the same procedure to install the other remaining legs.

Step
3



Place the Ottoman right side up and it is ready to be used.

Care & Maintenance



- Do not put hot items directly on furniture surface.



- Do not clean furniture with harsh cleansers or polish.



- Do not place furniture under direct sunlight.



- Do not place furniture near heating or cooling vents.



- Do not write on furniture without a padded barrier to protect the surface.



- Do not place furniture outside. For indoor use only.



- Not for commercial use. For residential use only.



- Stains may be removed with mild soap solution and damp cloth.



- Dust and pick-up spills using a clean, non-colored, lint-free cloth.