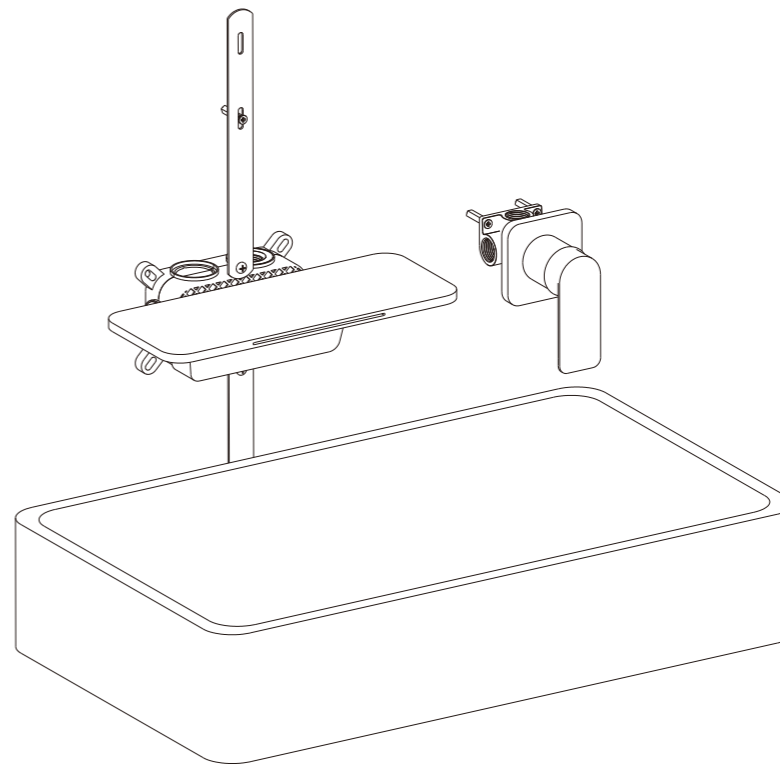
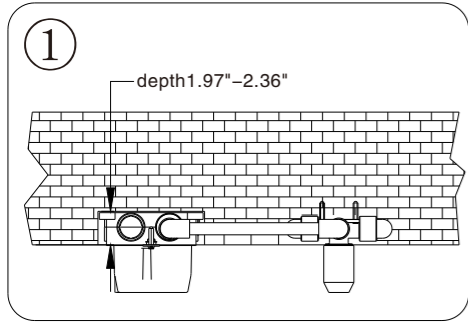


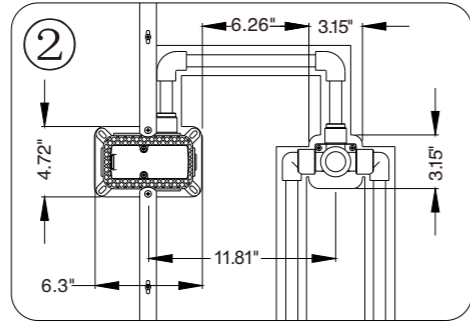
Instructions for basin faucets



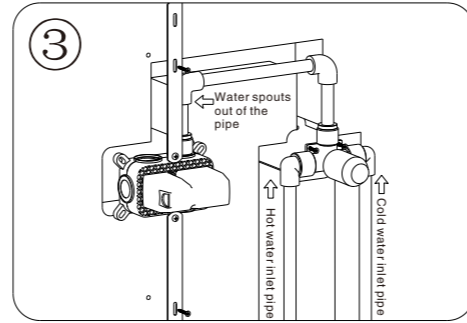
Note: Do not disassemble the product under the guidance of non-professionals. The picture is for reference only. All parts and accessories are subject to the real object. The right of interpretation belongs to our company. If there is any change in the relevant content, please refer to the latest installation instructions issued by the company. Thank you very much!



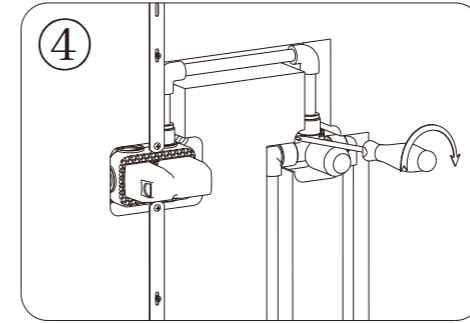
According to the basic size of the embedded box, use a special tool to cut the main hole on the solid wall between 1.97" and 2.36" deep.



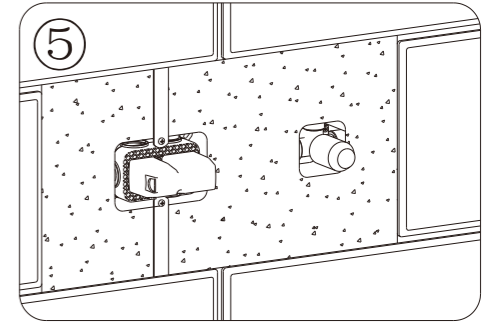
First find a good stainless steel fixing bracket, with crews locked in the embedded box up and down the extended position; Wall pre (main body size 3.15"X3.15", outlet nozzle 6.3"X4.72").



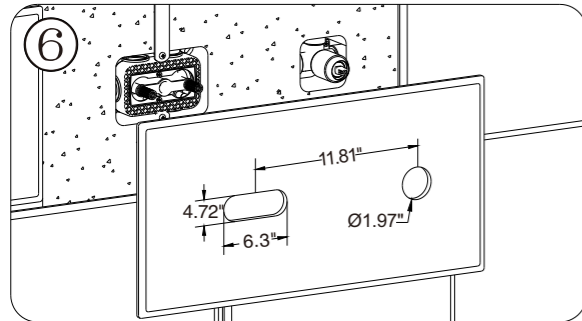
As shown in the figure, pre-bury the intake water pipe and pay attention to the preparation the upper and lower left and right directions of the buried box, the outlet is upward, connect hot water pipe on the left and cold water pipe on the right.



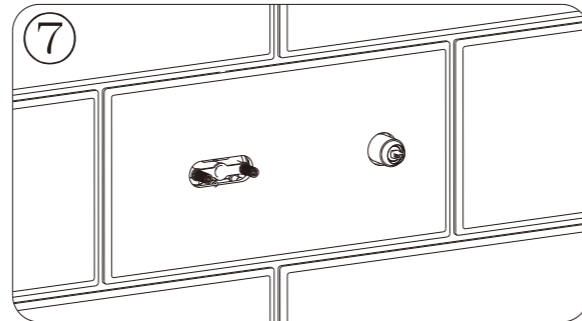
Open the water source to test whether the left and right inlet pipes are tightly connected without leakage. After the inlet pipes are tested and closed, adjust the flow switch to be in the open state to test whether the mixed outlet pipes are tightly connected without leakage. Adjust the horizontal position and fix it with the fixing bracket.



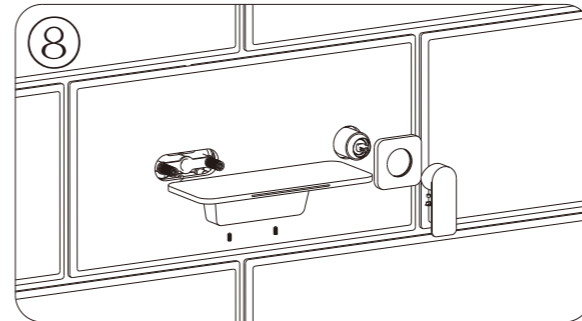
Make sure again that the pipe connection is correct and there is no leakage in the water test. Seal and fix the embedded box and pipe with packing. At this point, the solid wall embedded box is installed and the plastic protective cover is taken out.



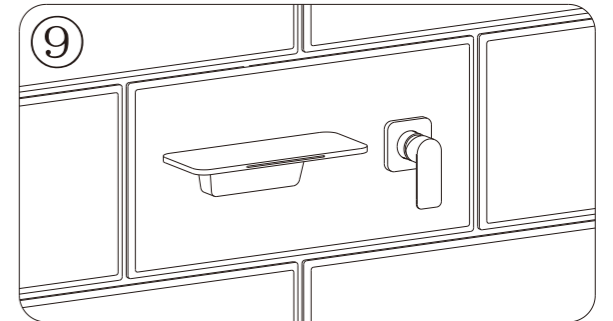
As shown in the picture, prepare to paste ceramic tiles. Open holes with a diameter of 1.97" on the right side and a gap of 4.92" between the two holes. Rectangular slot on the left side, center distance 11.81".



Pile tile as shown, flush pipe sediment.



Install the water control switch and install the waterfall outlet as shown.



Installation is finished, test whether each function is used normally, wipe clean bibcock surface with soft cloth.