

ITEM NAME: Outdoor Coffee Table

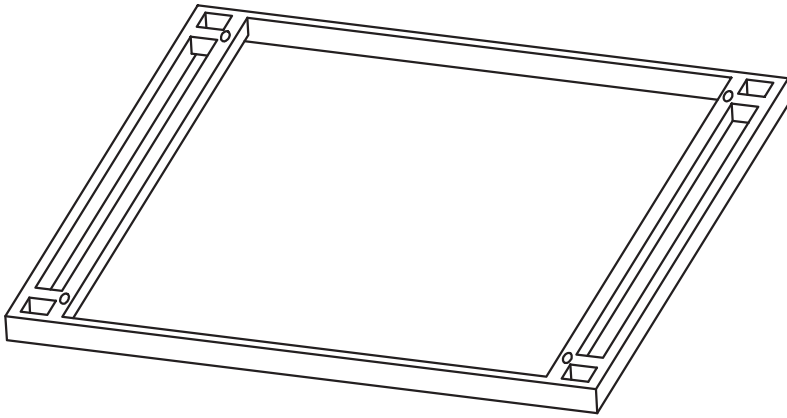


IMPORTANCE

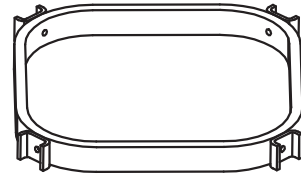
1. Please DO NOT fix screws tightly until all screws and holes have been connected successfully.
2. Thread the screws a little bit first, leave them loose until ALL screws are in, and then tighten them all.
3. Please email us with PICTURES of parts and SKU# info. on box marks if there is any trouble with assembly or missing or damaged parts.
4. Don't expose cushions in the BURNING sun for a long time, please cover the set or put cushions indoor during rainy or snowy days.
5. Please DO NOT discard packing boxes before all parts are assembled successfully.
6. DO NOT touch the glass with bare hands if the glass is broken during the express shipping.

Thank you!

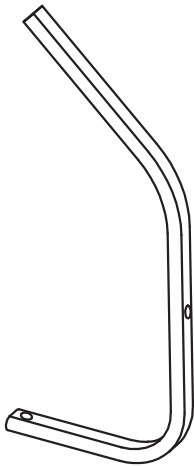
Parts List of Coffee Table



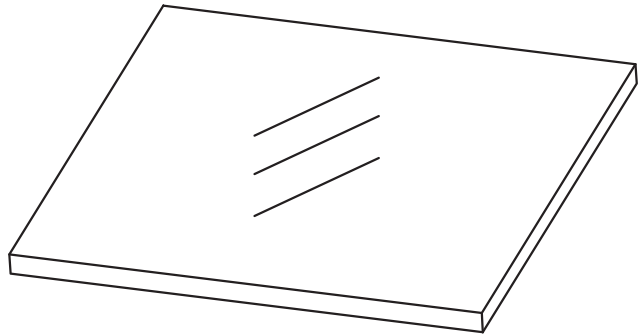
T1 1pc
(Table Top)



T2 1pc
(Connector Ring)



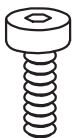
T3 4pcs
(Leg)



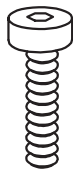
1pc
(Glass)



N 1/4"x1.0
12pcs



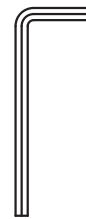
A 1/4"x20mm
4pcs



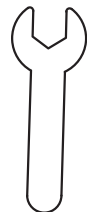
B 1/4"x40mm
4pcs



K 1/4"x8.0mm
4pcs



T 4MM
1pc



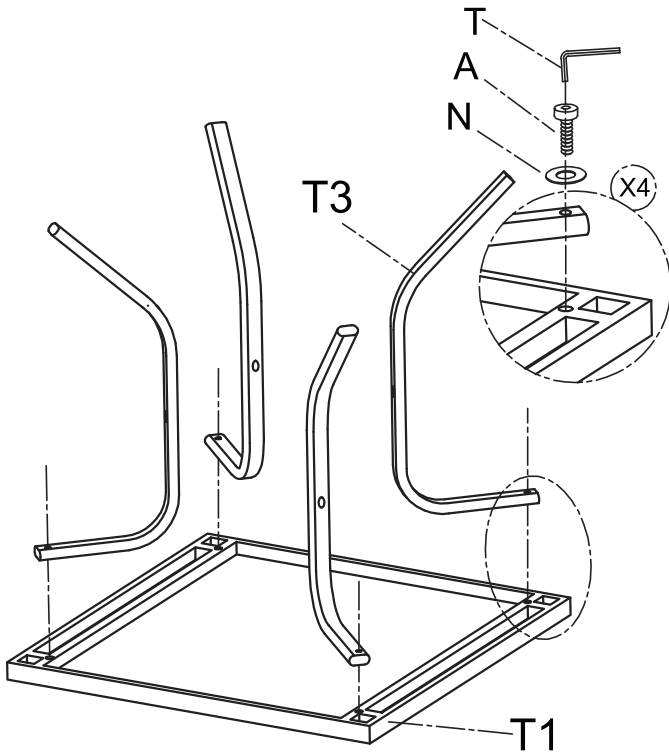
U 10MM
1pc



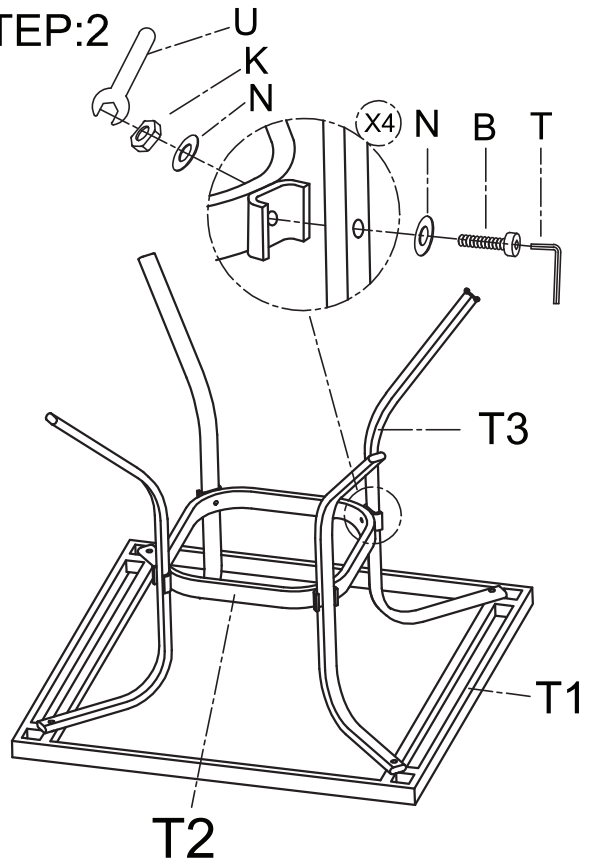
E 4MM
1pc

Assembly Steps for Coffee Table

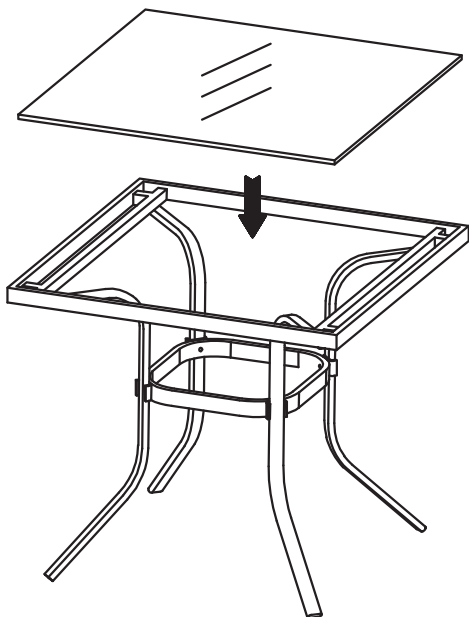
STEP:1



STEP:2



STEP:3



STEP:4

