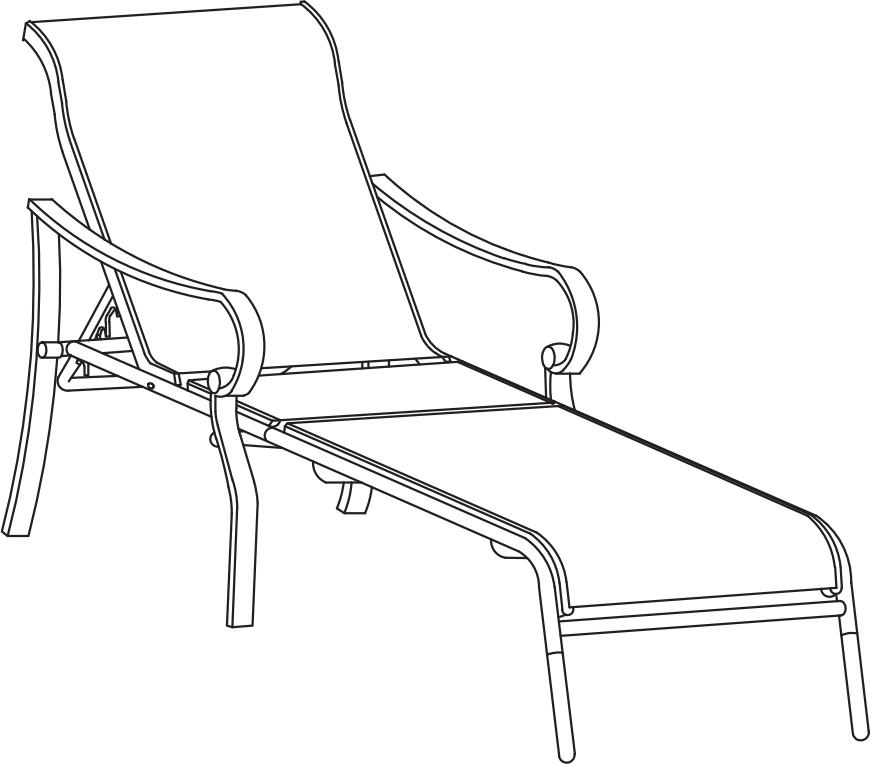


ITEM NAME:Outdoor Chaise Lounge

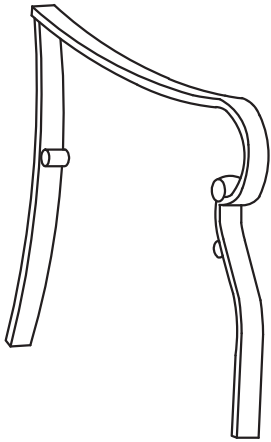


IMPORTANCE

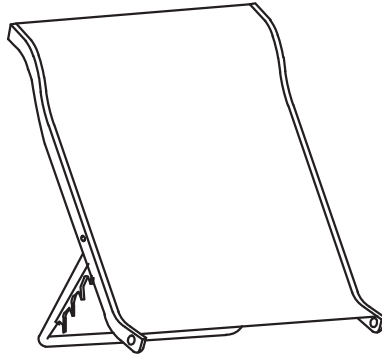
1. Please DO NOT fix screws tightly until all screws and holes have been connected successfully.
2. Thread the screws a little bit first, leave them loose until ALL screws are in, and then tighten them all.
3. Please email us with PICTURES of parts and SKU# info. on box marks if there is any trouble with assembly or missing or damaged parts.
4. Don't expose cushions in the BURNING sun for a long time, please cover the set or put cushions indoor during rainy or snowy days.
5. Please DO NOT discard packing boxes before all parts are assembled successfully.
6. DO NOT touch the glass with bare hands if the glass is broken during the express shipping.

Thank you!

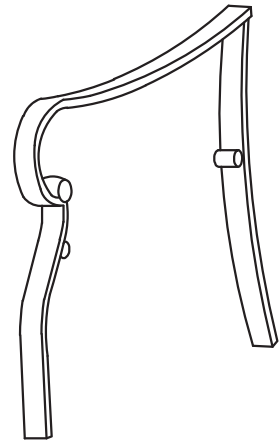
Parts List of Chaise Lounge



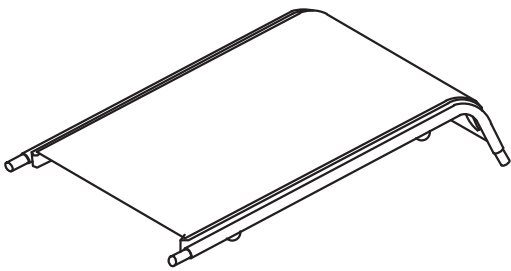
P1 1pc
(Right Armrest)



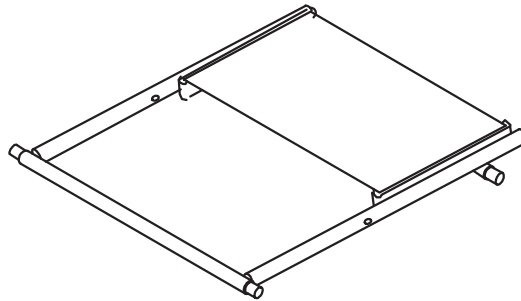
P3 1pc
(Backrest)



P2 1pc
(Left Armrest)



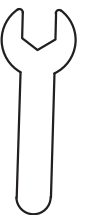
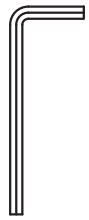
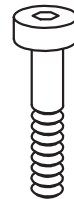
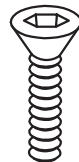
P4 1pc
(Front Seat)



P5 1pc
(Middle Seat)



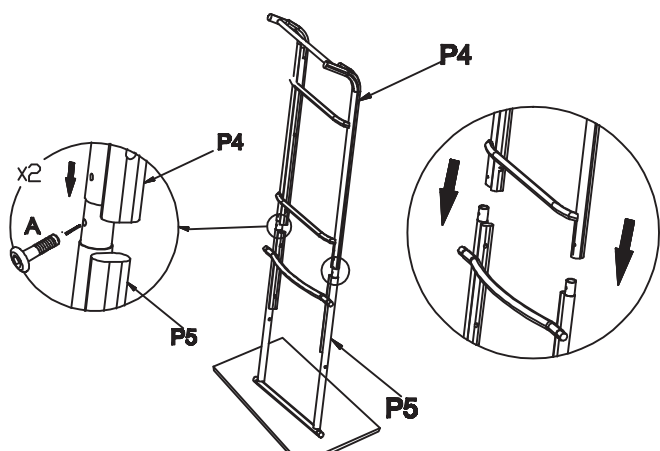
P6 2pcs
(Front Foot)



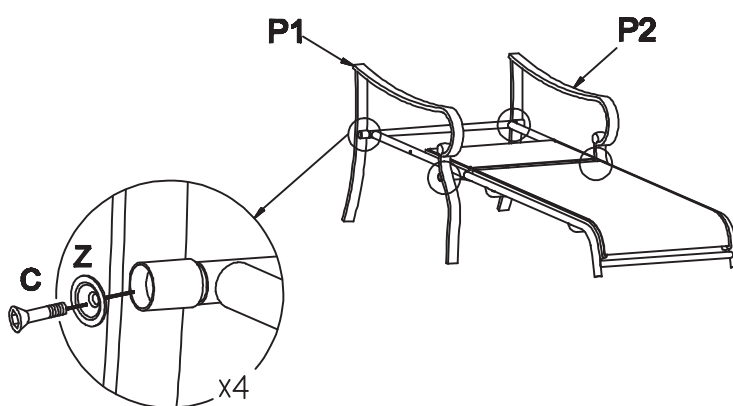
M 1/4"x1.0mm 4pcs D 1/4"x5.0T 2pcs Z Q25.4XQ7.0 4pcs A 1/4"x15mm 4pcs C 1/4"x30mm 4pcs B 1/4"x55mm 2pcs K 1/4"x8.0mm 2pcs T 4MM 1pc U 10MM 1pc

Assembly Steps for Chaise Lounge

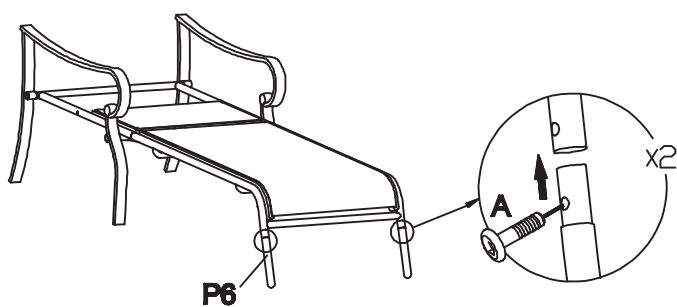
STEP:1



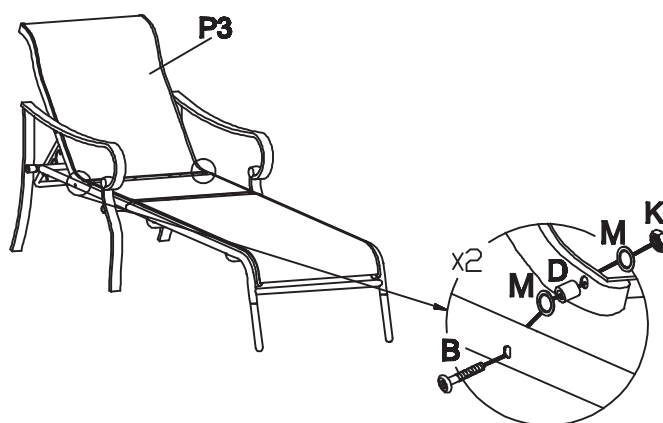
STEP:2



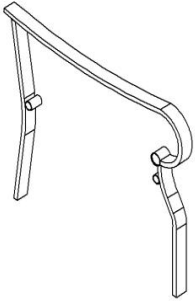
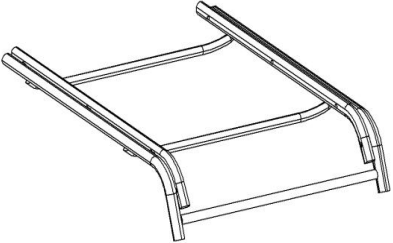
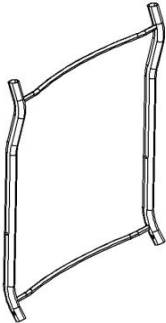
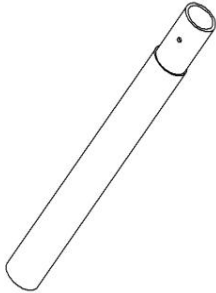
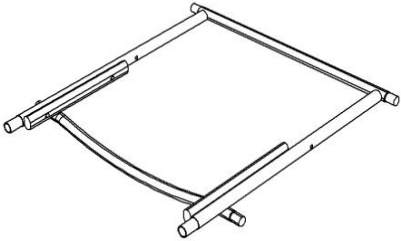

STEP:3



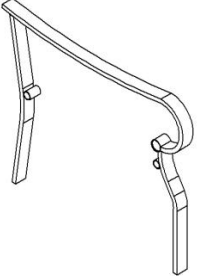
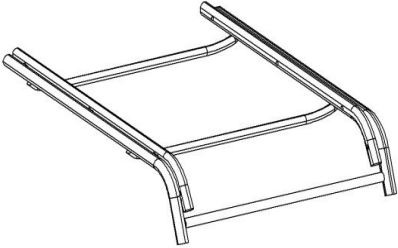
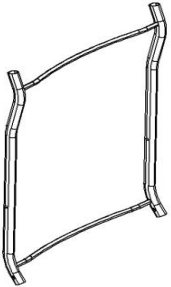
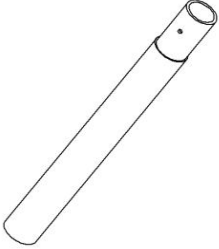
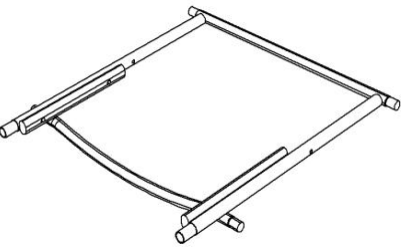

STEP:4




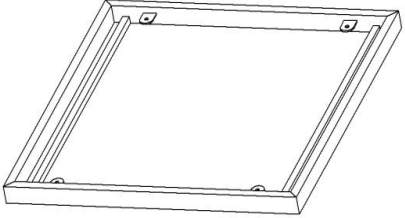
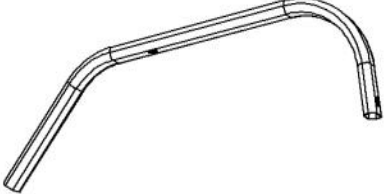

Lounge Chaise Component Included

Part Name	Picture Description	Quantity	Part Name	Picture Description	Quantity
Arm		2	Front Seat		1
Back		1	Front Leg		2
Middle Seat		1	Screw Bag		1

Lounge Chaise Packing List

Part Name	Picture Description	Quantity	Part Name	Picture Description	Quantity
Arm		2	Front Seat		1
Back		1	Front Leg		2
Middle Seat		1	Screw Bag		1

Side Table Packing List

Part Name	Picture Description	Quantity	Part Name	Picture Description	Quantity
Ring		1	Table Top		1
Table Leg		4	Screw Bag		1