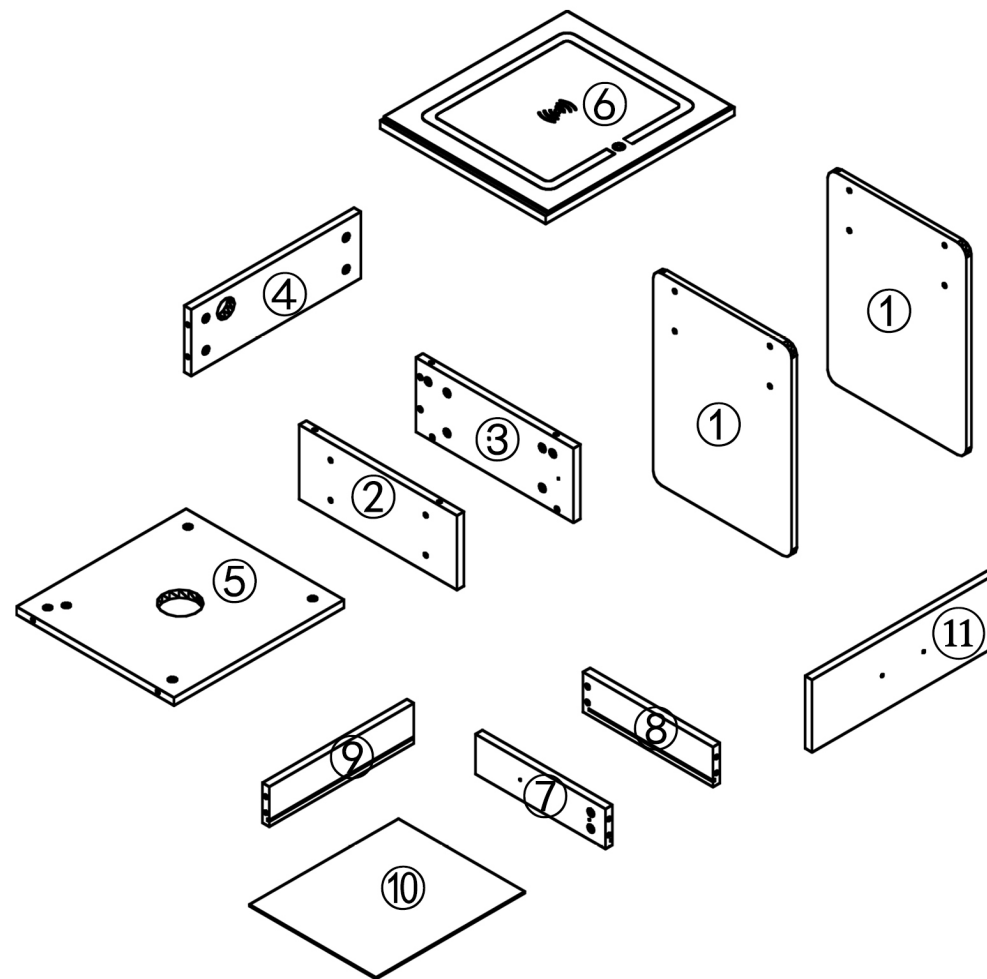
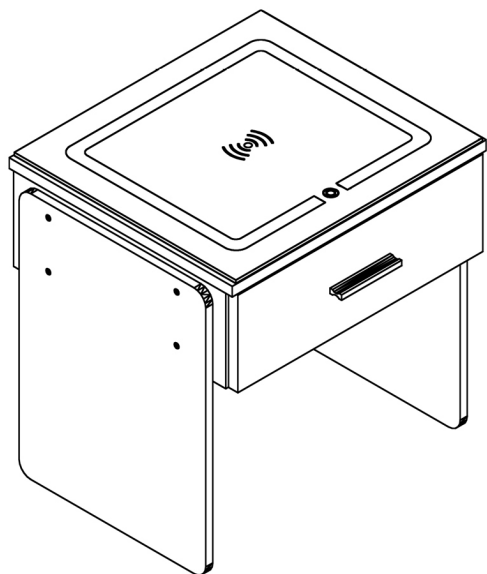













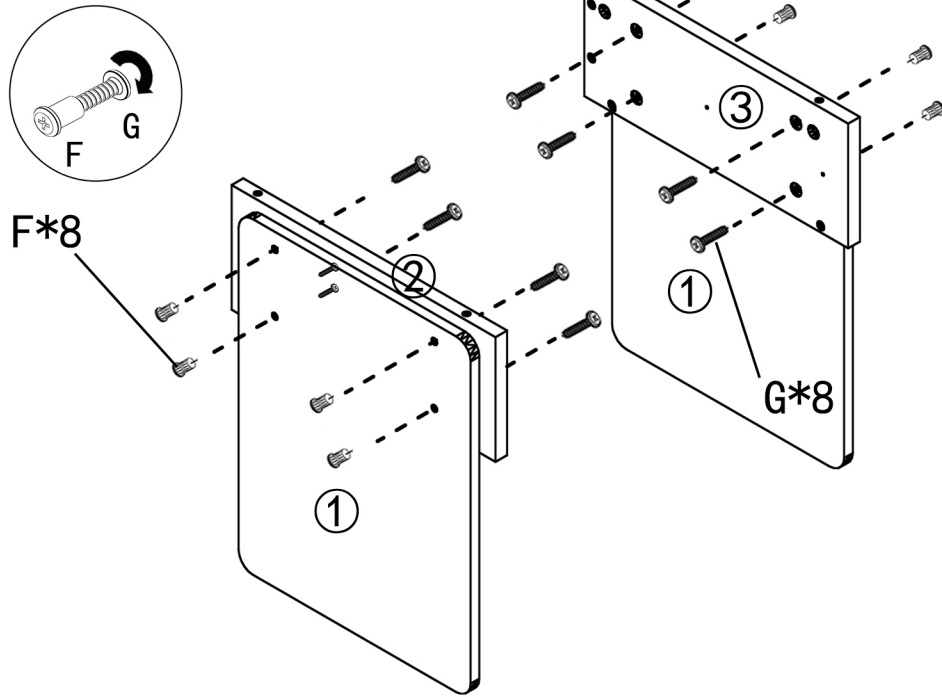
# ASSEMBLY INSTRUCTION

- Please follow the instructions to assemble the items correctly.
- Please ensure the safety of the glass when assembling.
- Do not make the screws too loose or too tight.
- As shown in the figure, Insert the screw into the hole.  
The arrow in the picture, Then rotate 90° or 180° clockwise.
- The accessory bag contains some small accessories, which should be kept away from children.
- The remaining parts are spare parts.
- The operating instruction of RGB light is included in the package , please read it carefully when assembling



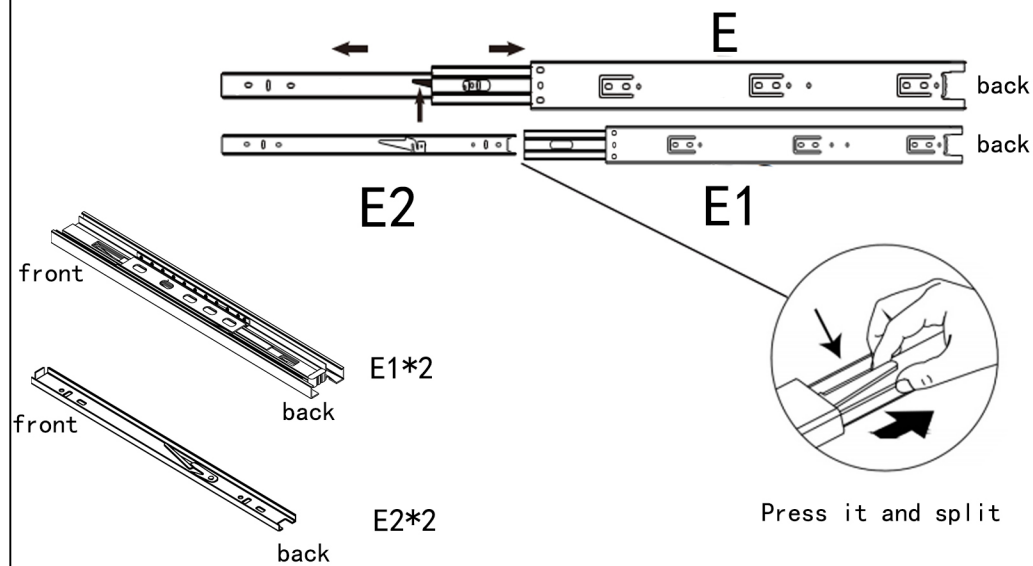
 3 functions connecting rod <b>A*20</b>	 3 functions nut <b>B*20</b>	 3.5*14 screw <b>C*18</b>	 drawer handle <b>D*1</b>	 drawer slide system <b>E*2</b>	 6*12 Splint nut <b>F*8</b>	 Flat machine screw <b>G*8</b>
 3*12 screw <b>H*3</b>	 Cable Organizer <b>I*4</b>	 screw for drawer handle <b>J*2</b>	 LED <b>LED</b>			

## STEP 1



## STEP 2

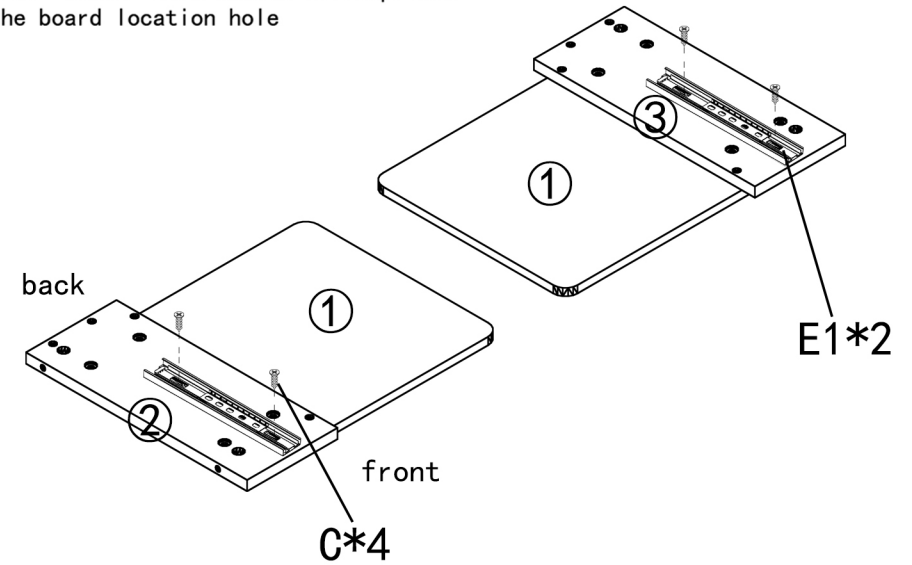
Warm Reminder:  
Before installing the drawer rail,  
you need to separate the E1 and E2 first.



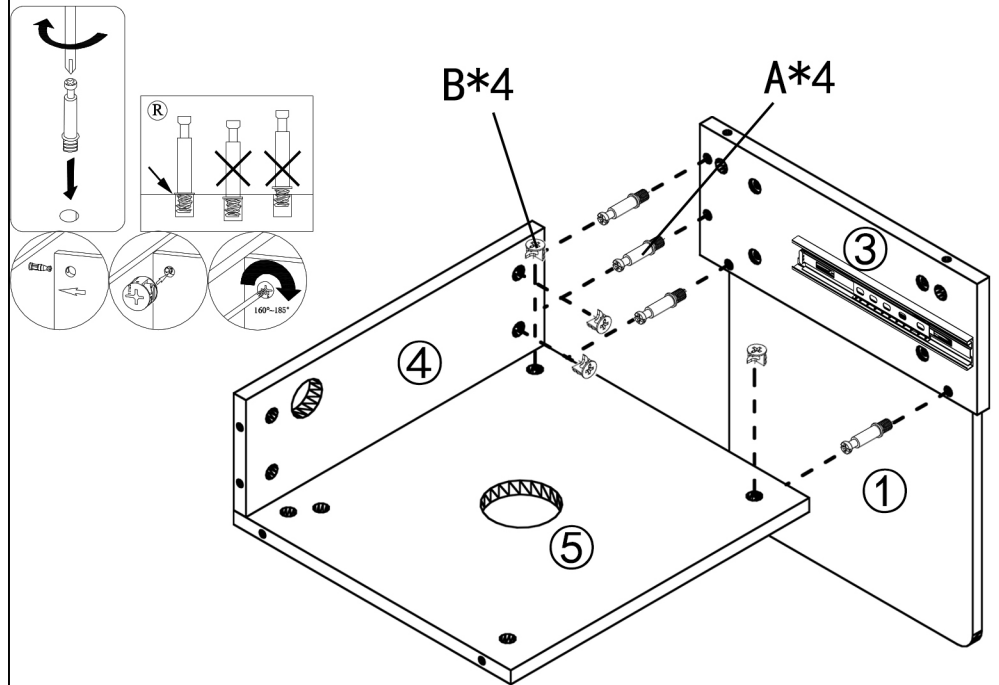
## STEP 3



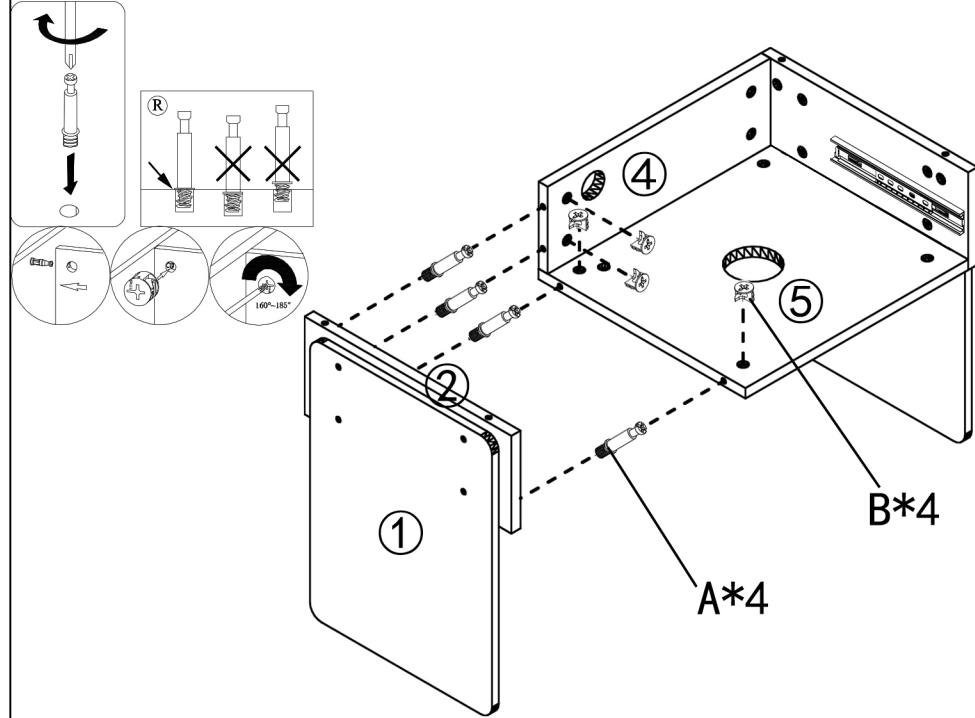
The first screw hole should corresponded with the board location hole



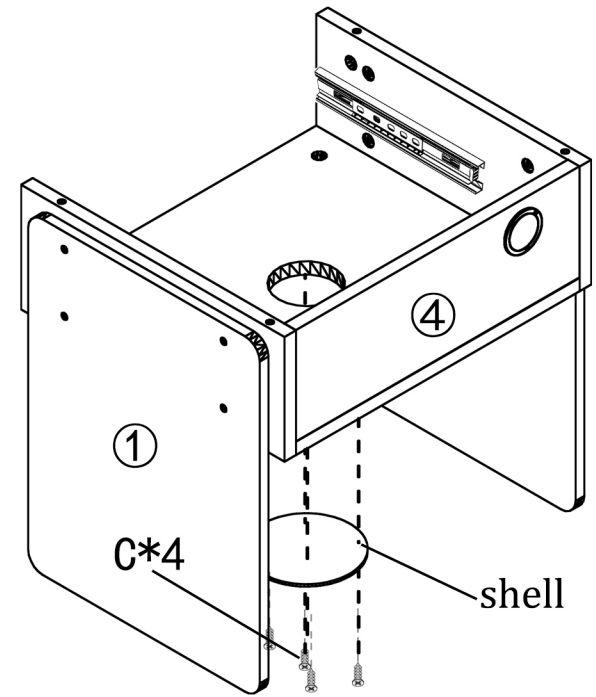
## STEP 4



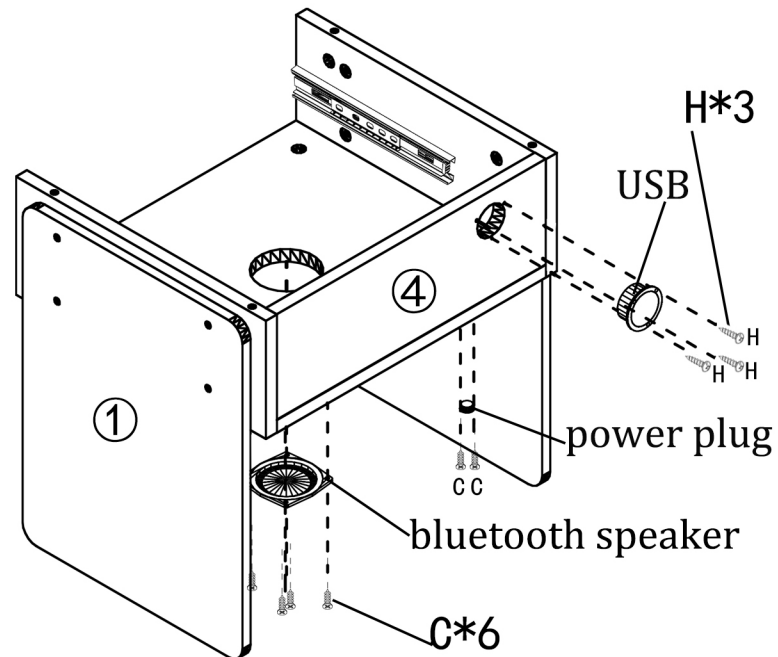
### STEP 5



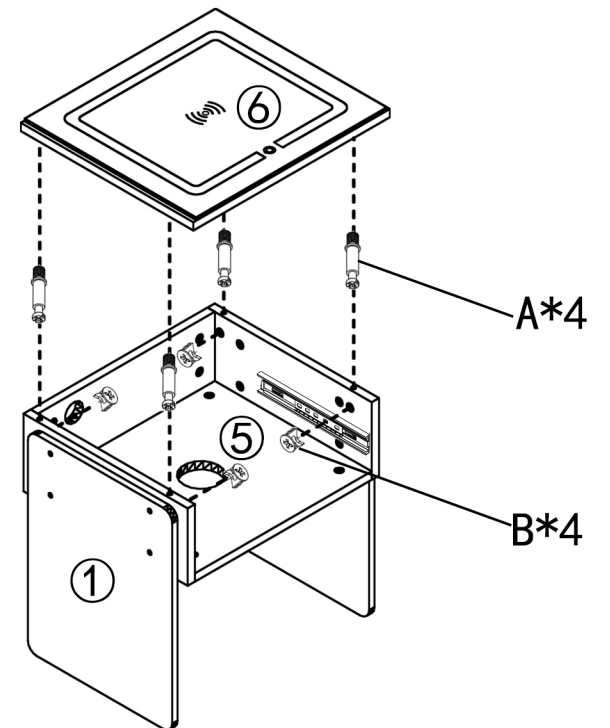
### STEP 7



### STEP 6

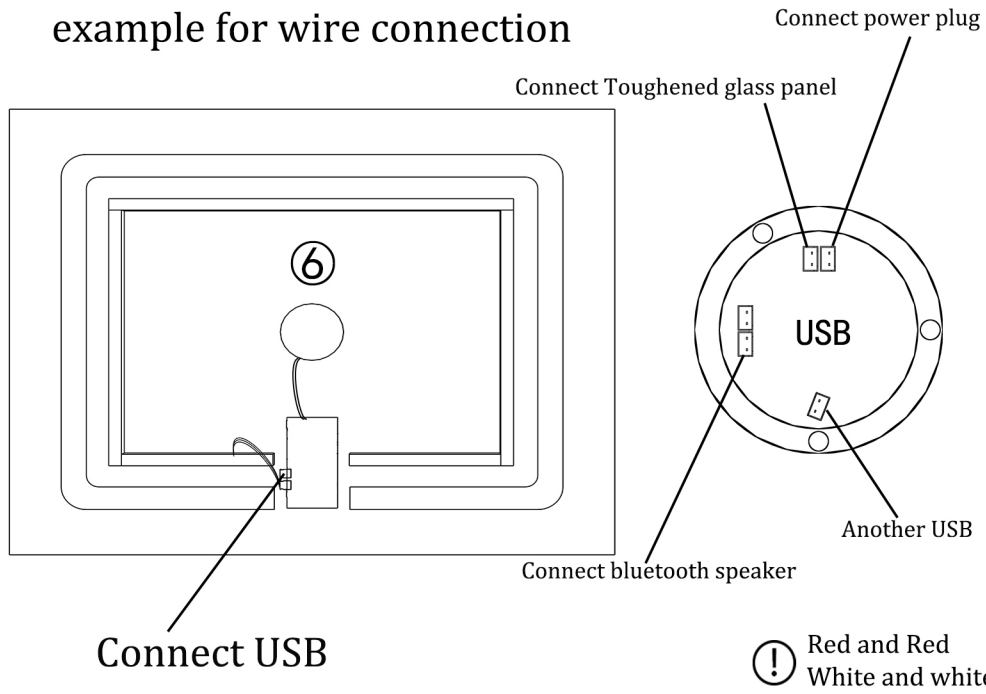


### STEP 8



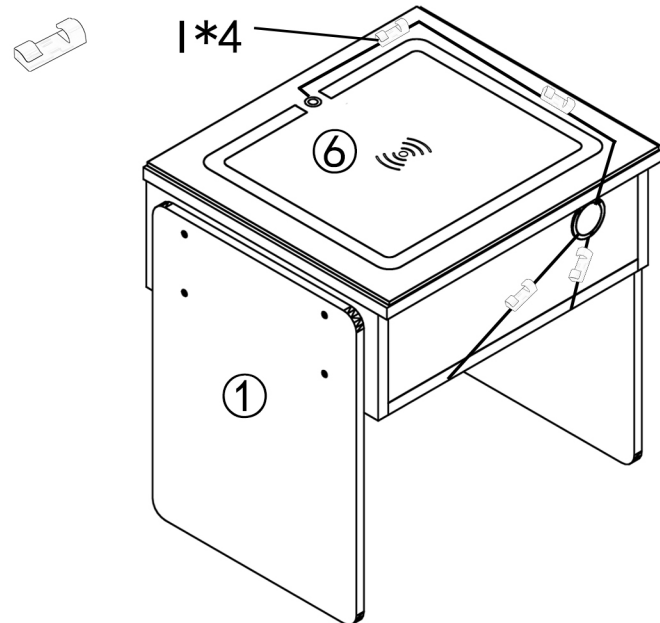
# STEP 9

example for wire connection



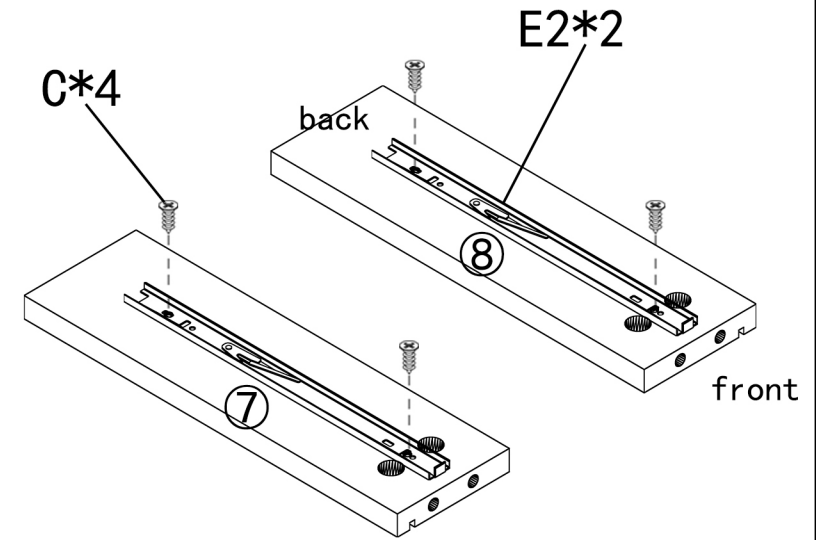
# STEP 10

⚠ please peel off the film when use it  
Arrange wire from cabinet

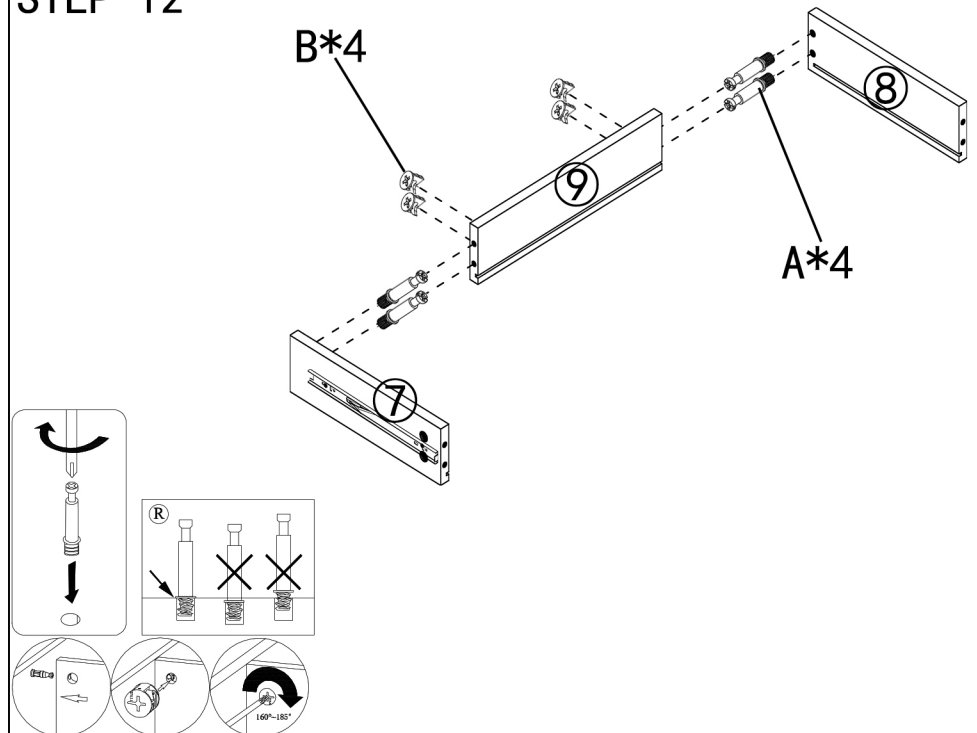


# STEP 11

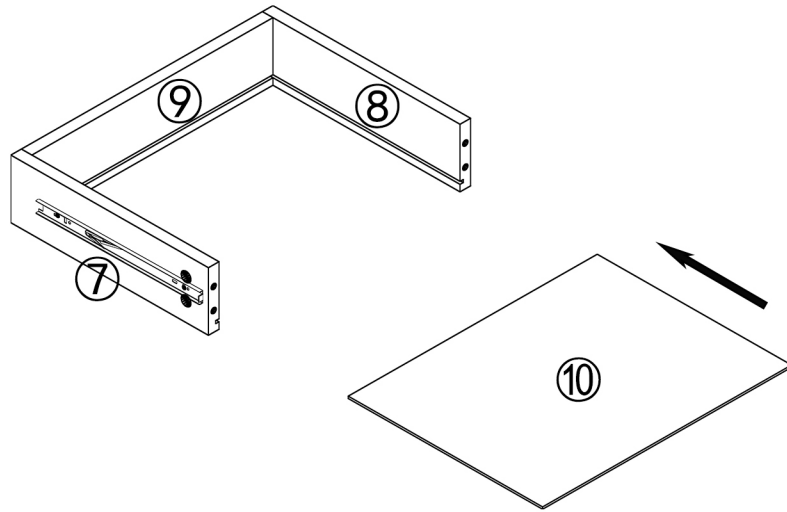
back  
The first screw hole should corresponded with the board location hole



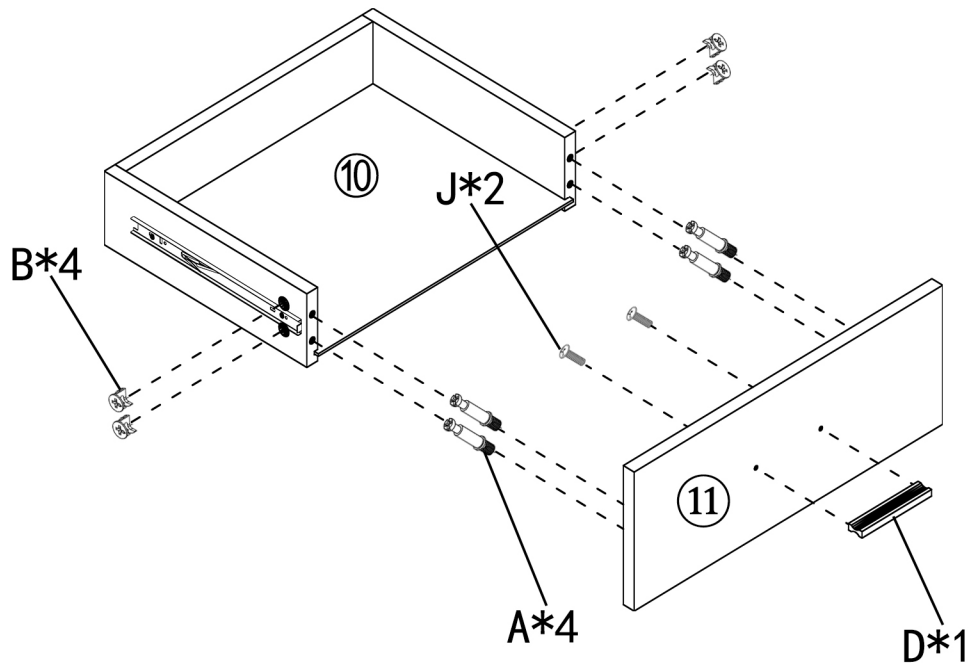
# STEP 12



### STEP 13

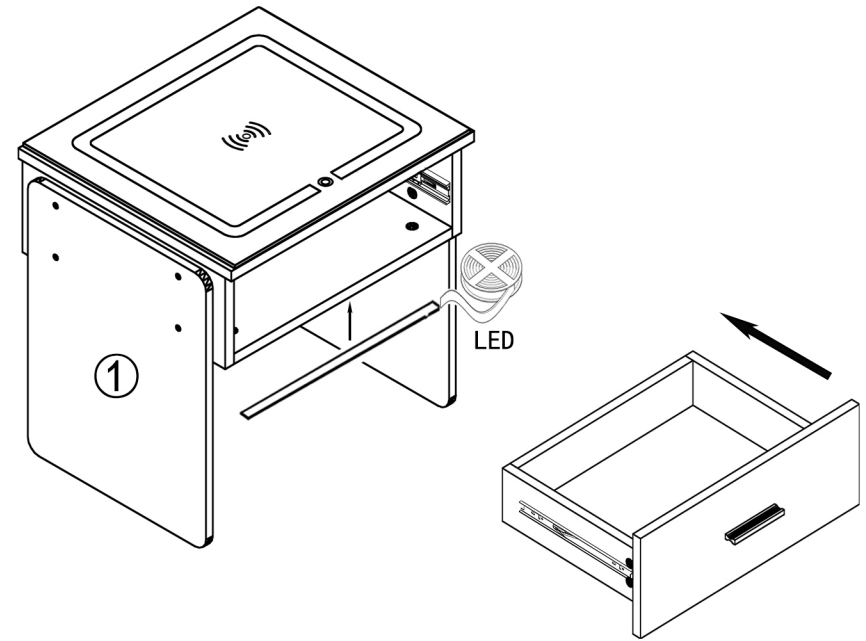


### STEP 14

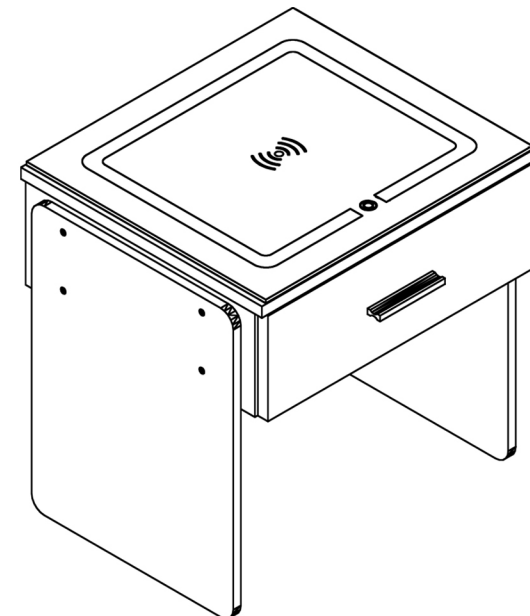


### STEP 15

Please paste the LED light strip under the bottom plate



### STEP 16



For the high gloss panel, please peel off the plastic film after assembling

