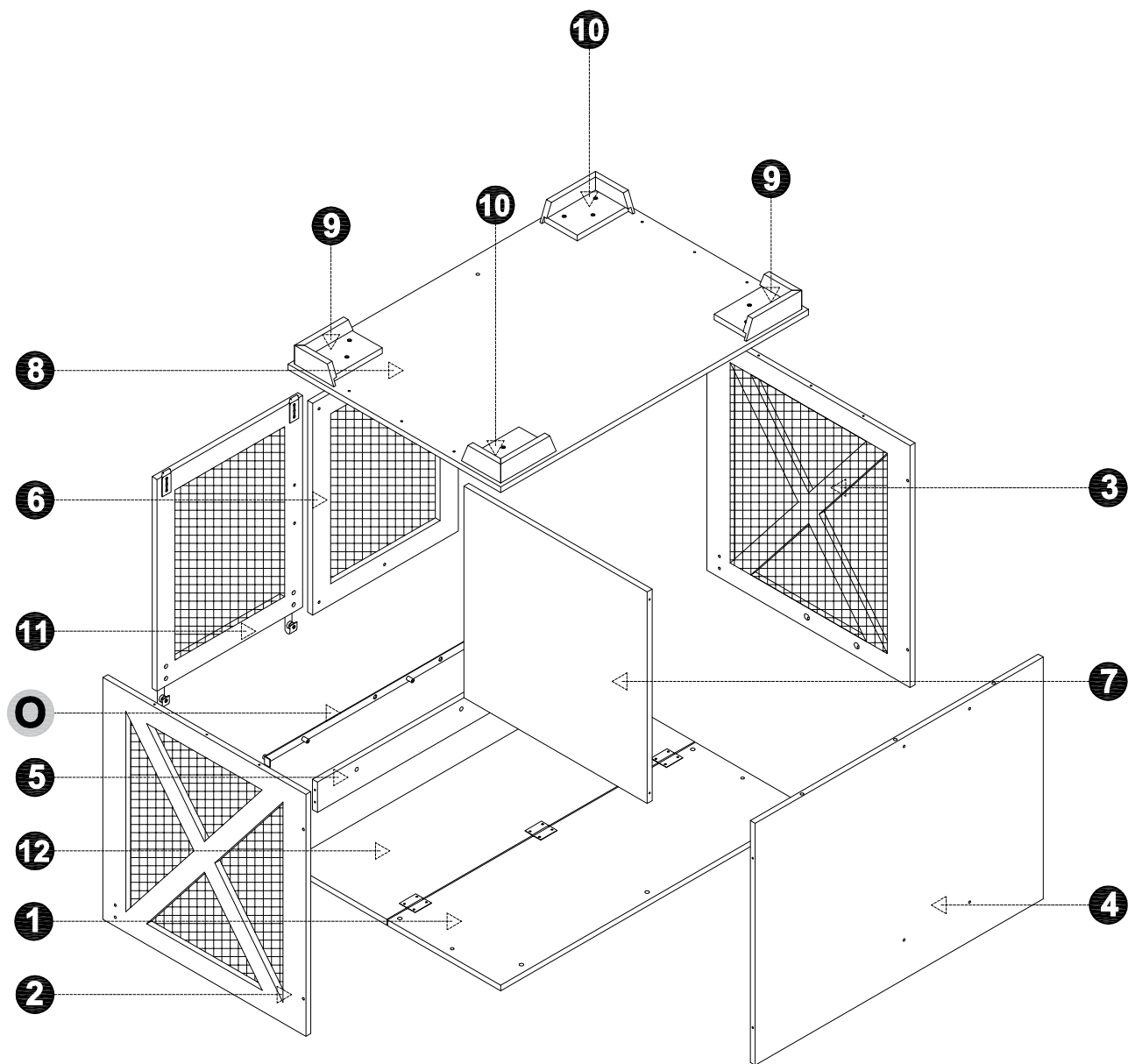
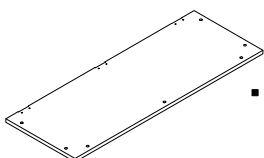
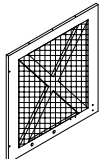
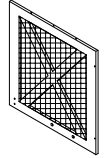
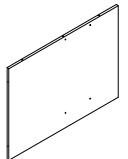
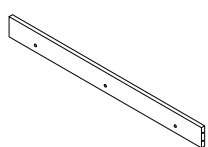
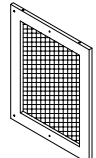
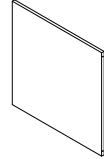
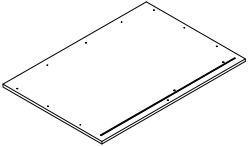
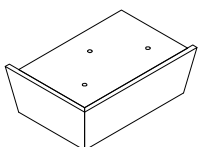
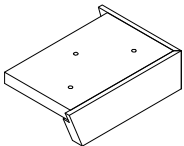
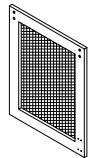
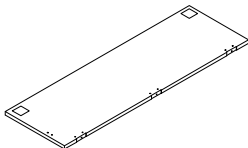


Dog Cage
ITEM#JX-008
Assembly Instructions



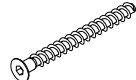
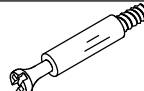

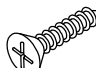
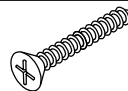

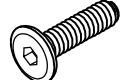
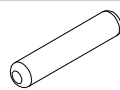
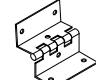
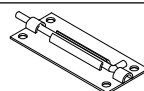
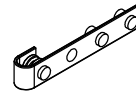
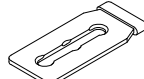
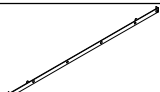
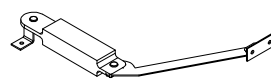
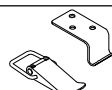
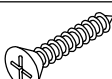
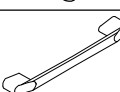
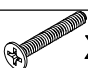
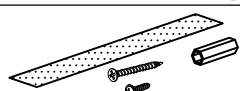




Note: Don't tighten all screws during installation.

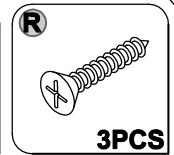
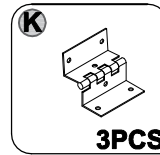
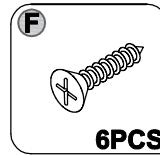
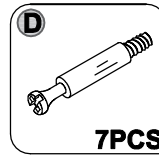
Components

-  **1** x1
-  **2** x1
-  **3** x1
-  **4** x1
-  **5** x1
-  **6** x1
-  **7** x1
-  **8** x1
-  **9** x2
-  **10** x2
-  **11** x1
-  **12** x1

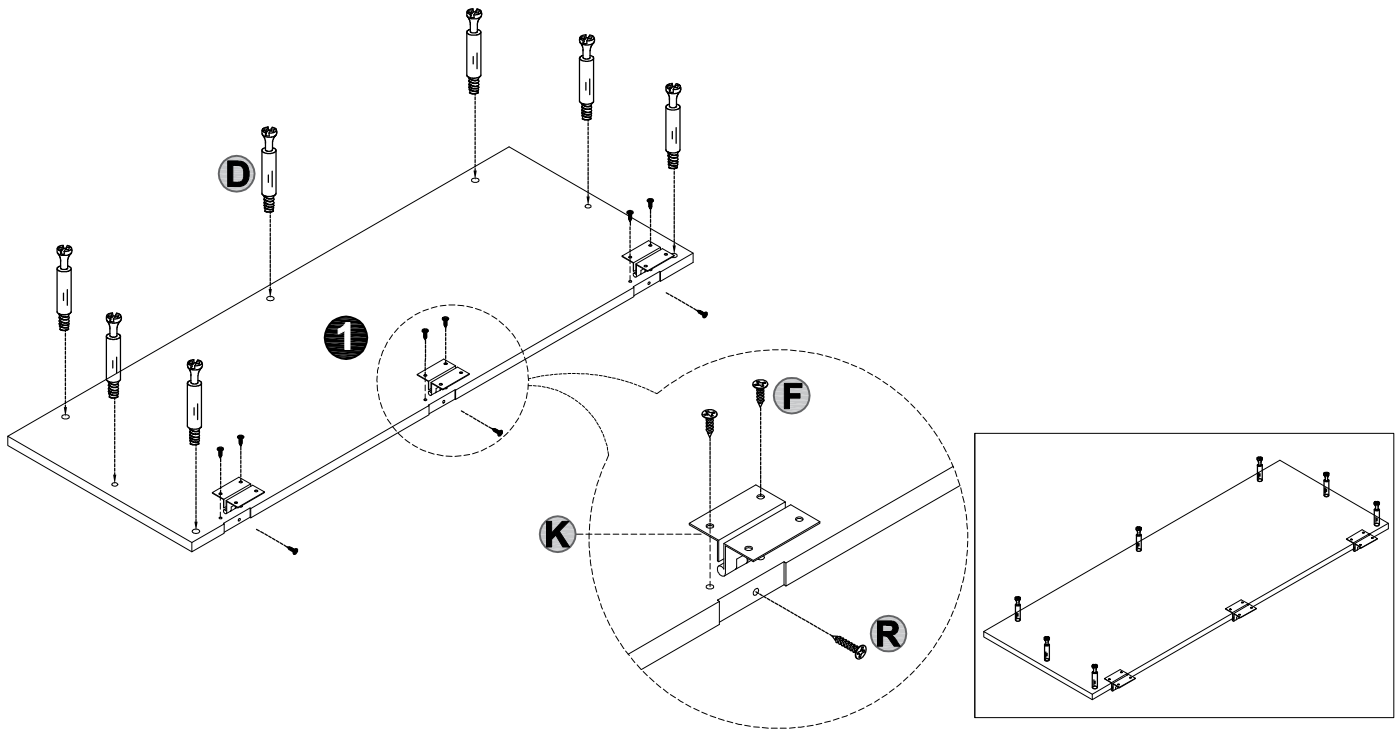
Screws & Tools

A			x1
B			x1
C		50mm	x23
D			x7
E			x7
F		Ø3.5 x14mm	x29
G		Ø3.5 x25mm	x12
H		M6 x12mm	x6
I		M6 x25mm	x3
J		Ø8 x30mm	x2
K			x3
L			x1
M			x2
N			x2
O			x1
P			x1
Q			x1
R		Ø3.5 x20mm	x6
S	 	x2 M4 x18mm	x1
T	  		x1

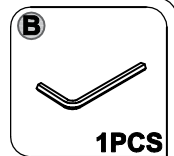
Step 1



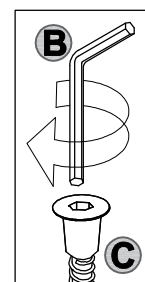
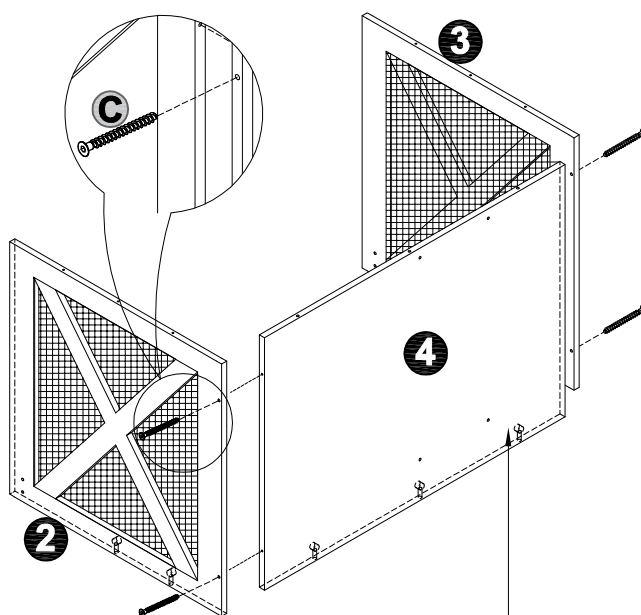
Install cam posts (D). Then attach hinge (K) to the board (1) with screws (F) and (R) by Phillips head screwdriver as shown.



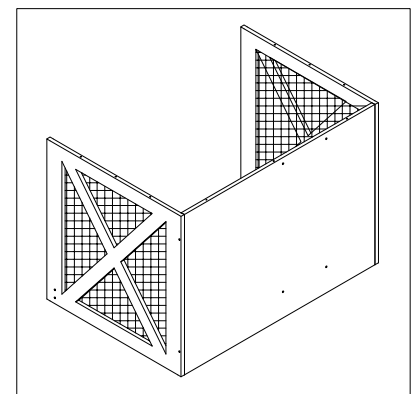
Step 2



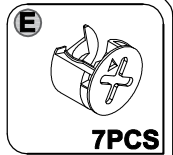
Attach board (2) and board (3) to board (4) with screws (C) by Allen wrench as shown.



Noted the Cam lock holes in the bottom

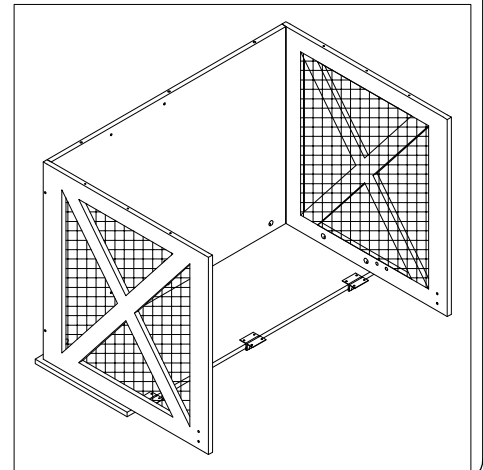
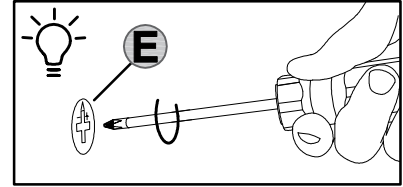
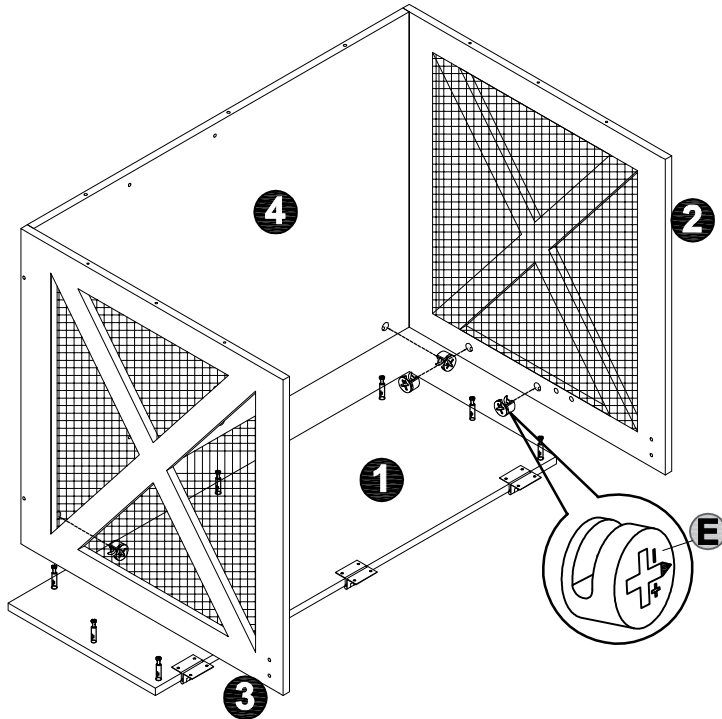


Step 3

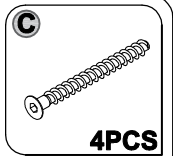


7PCS

Attach the assembled parts to board (1) with cam lock (E) As shown. If got any problems, please see "HELPFUL HINTS "

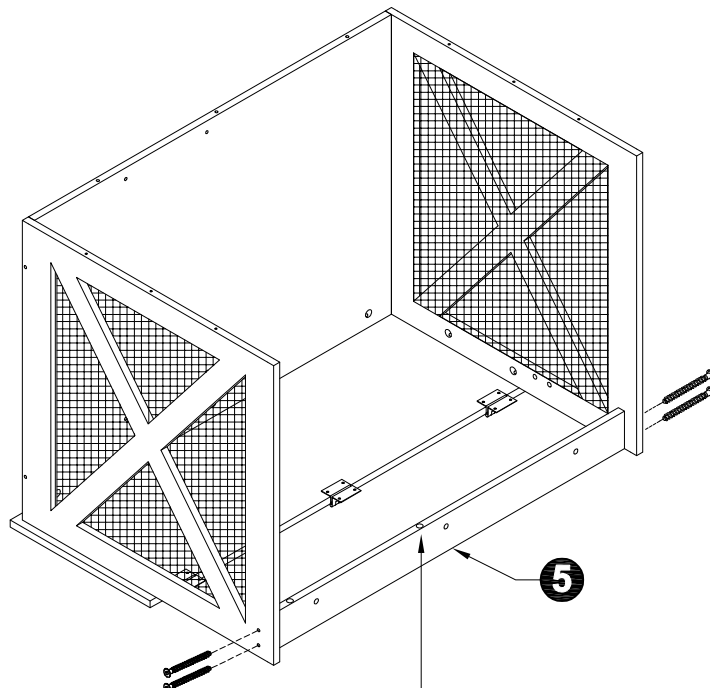


Step 4

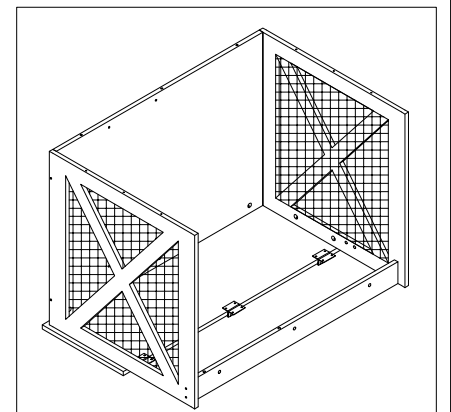
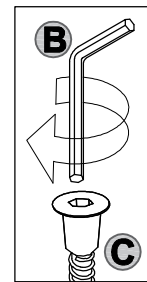


4PCS

Attach board (5) to the assembled parts with screws (C) by Allen wrench as shown.

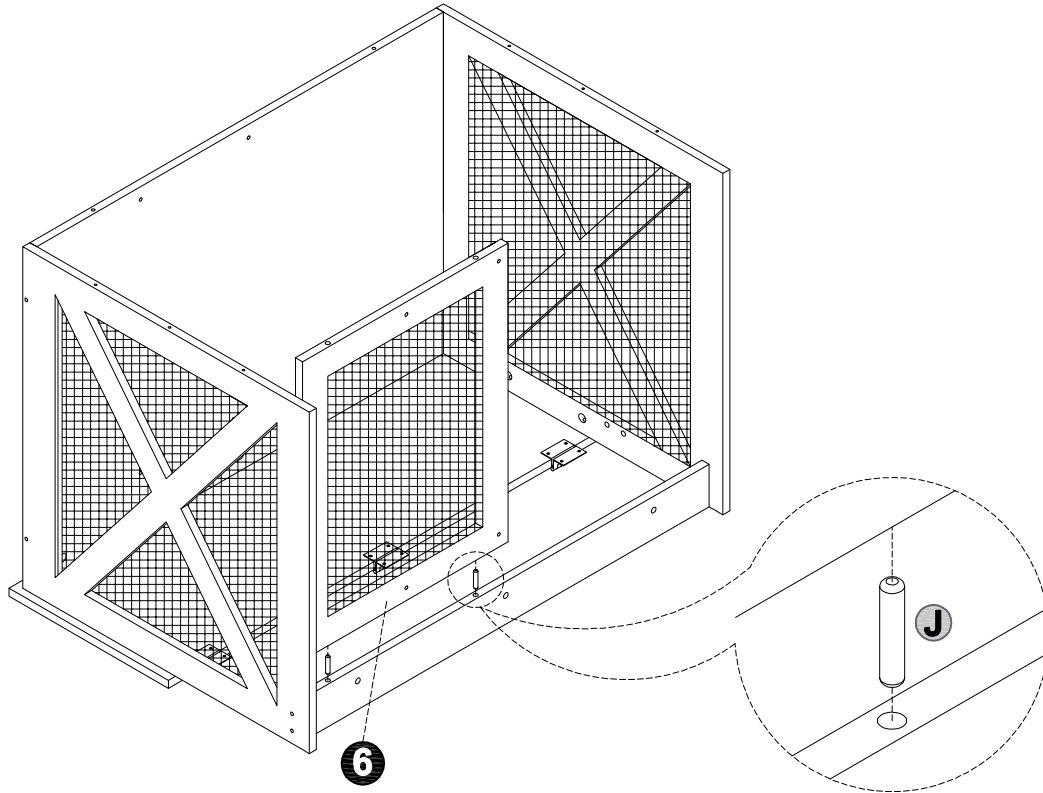
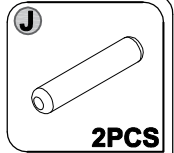


Noted the direction of (5), there are 2 holes at here



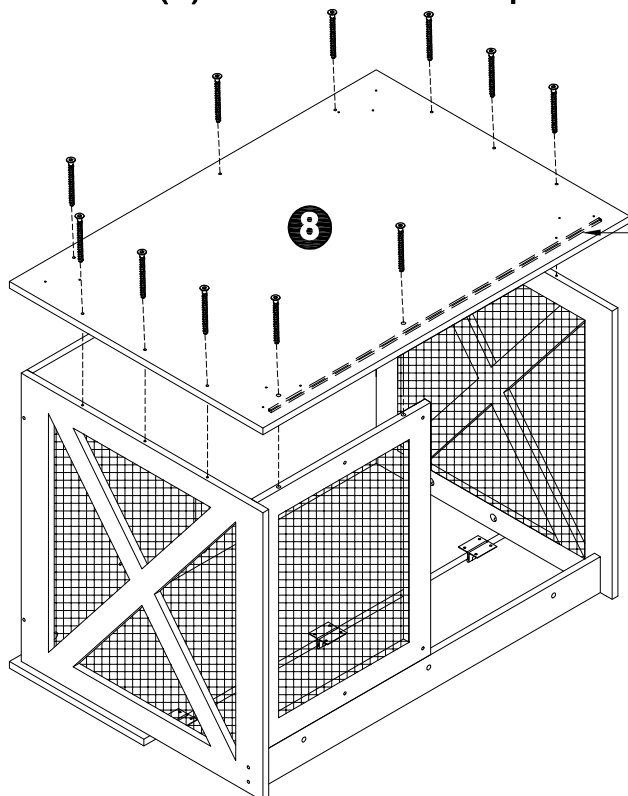
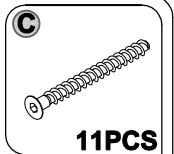
Step 5

Attach wire mesh board (6) to the assembled parts with dowel (J)

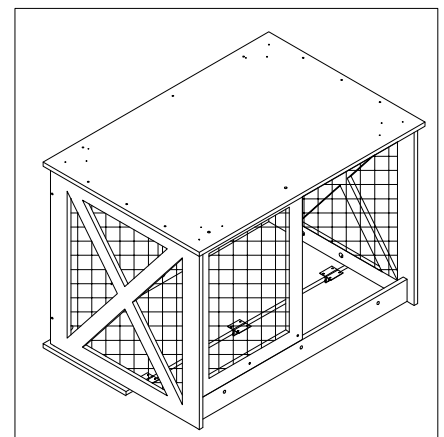
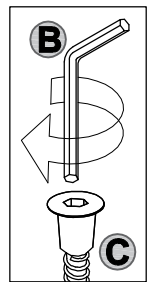


Step 6

Attach board (8) to the assembled parts with screws (C) by Allen wrench as shown.

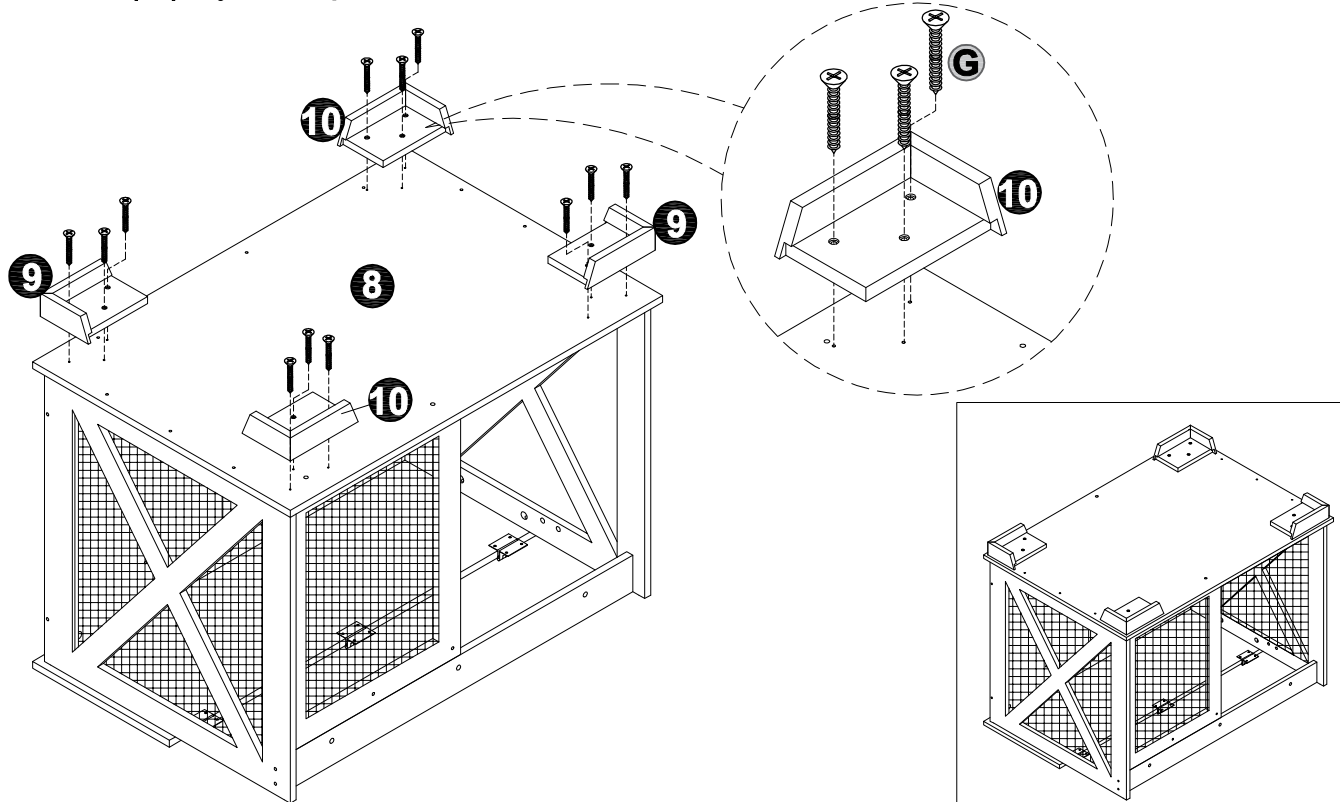


Noted the direction of (8),
the slide road in the bottom



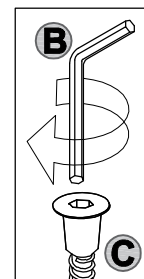
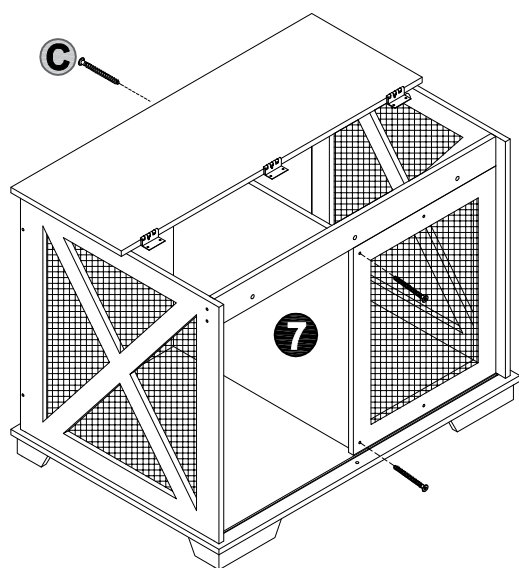
Step 7

Attach board (9) and board (10) to the assembled parts with screws (G) by Phillips head screwdriver as shown

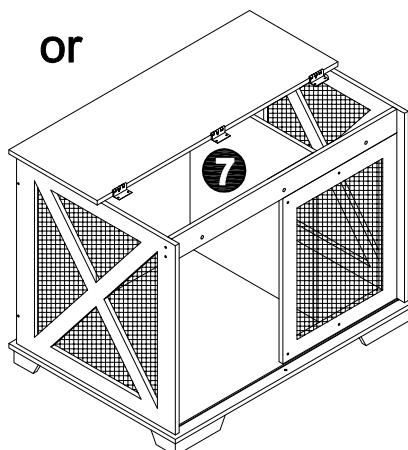


Step 8

Then Attach board (7) to the assembled parts with screws (C) (optional holes)



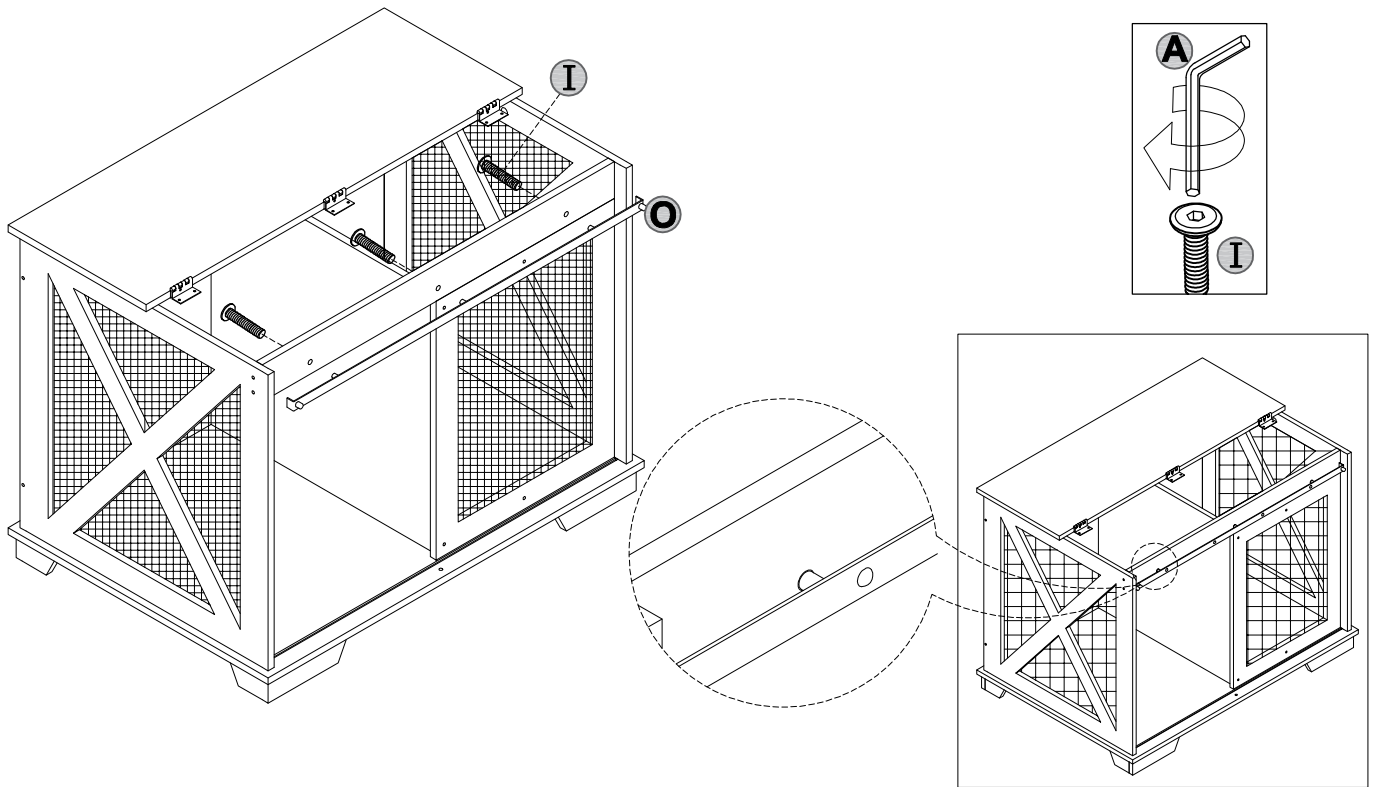
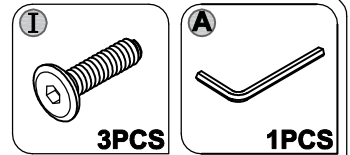
or



Tips: The No. 7 board can be moved to accommodate 2 dogs or even removed as the puppy grows to accommodate a large dog.

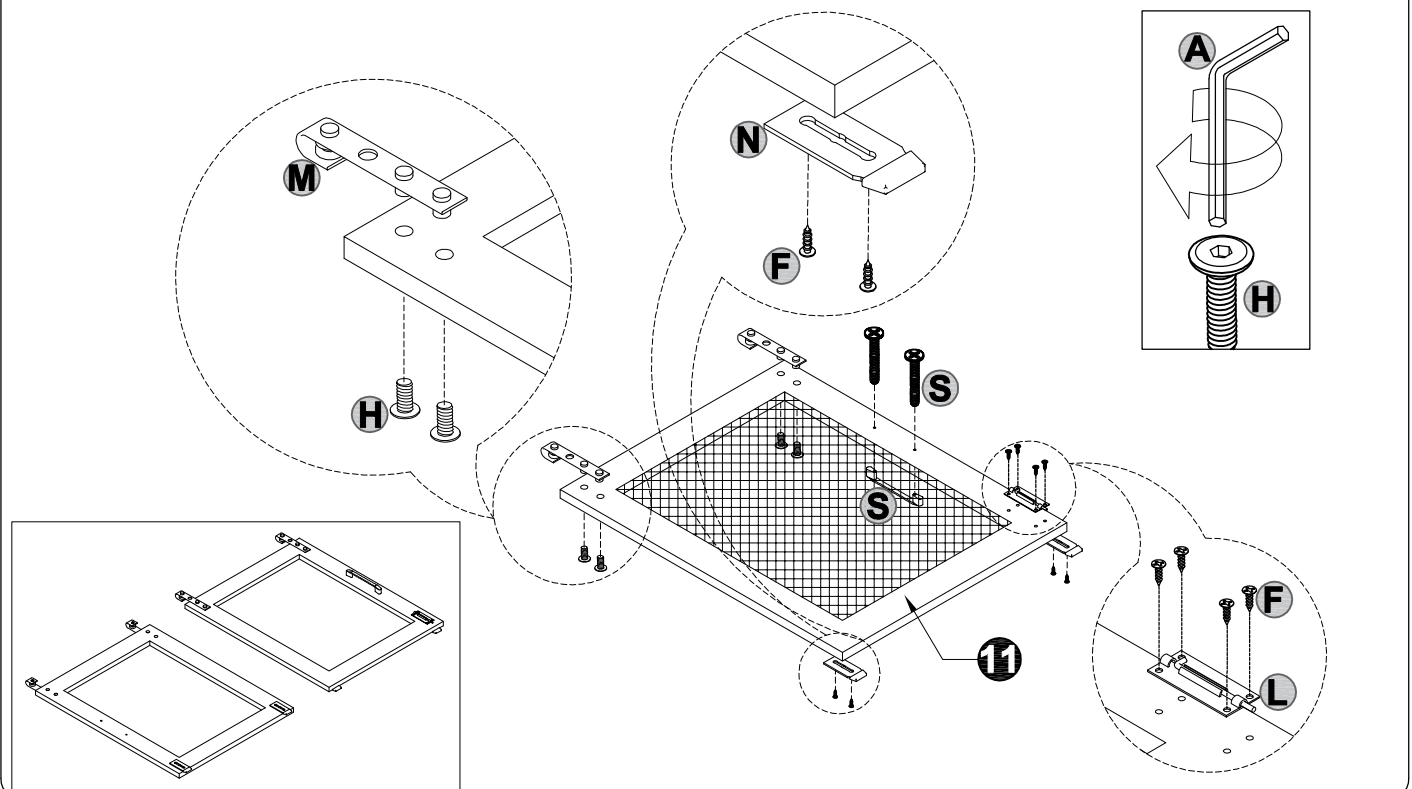
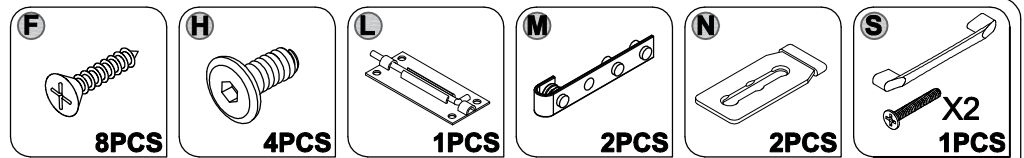
Step 9

Attach the iron bar (O) to the assembled parts with screws (I) by Allen wrench as shown.



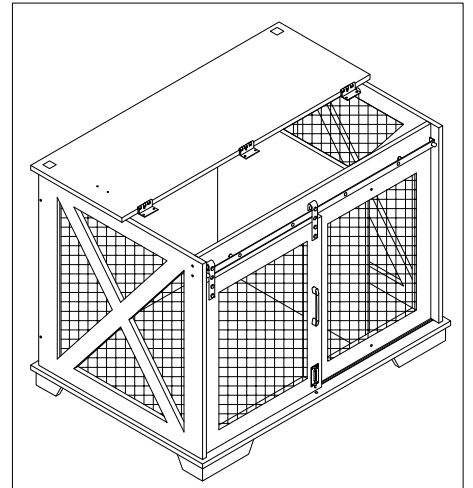
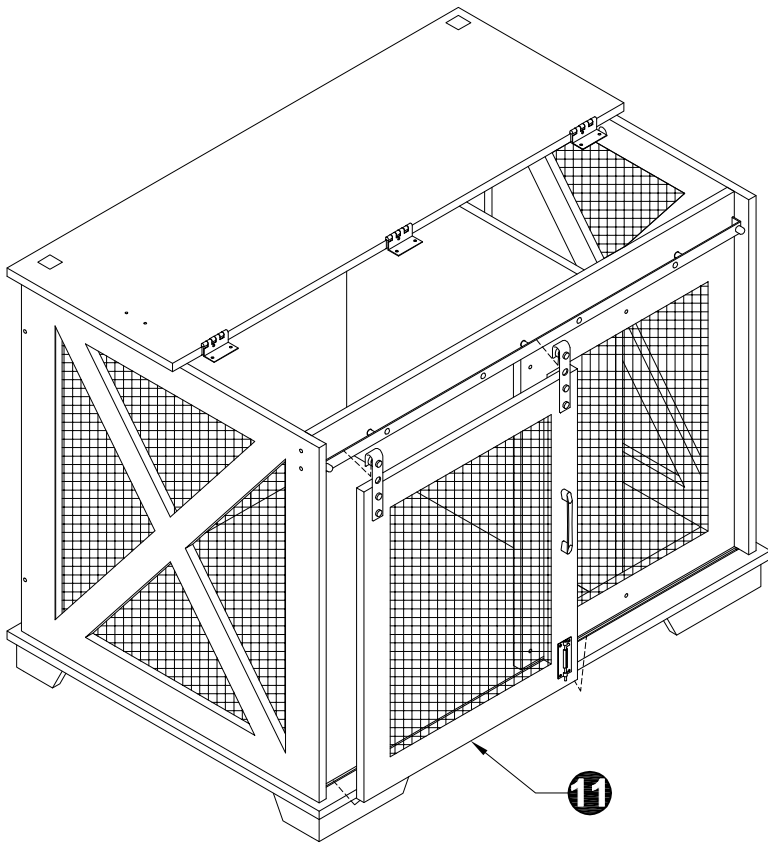
Step 10

Attach all the iron pieces to sliding barn door (11) as shown.



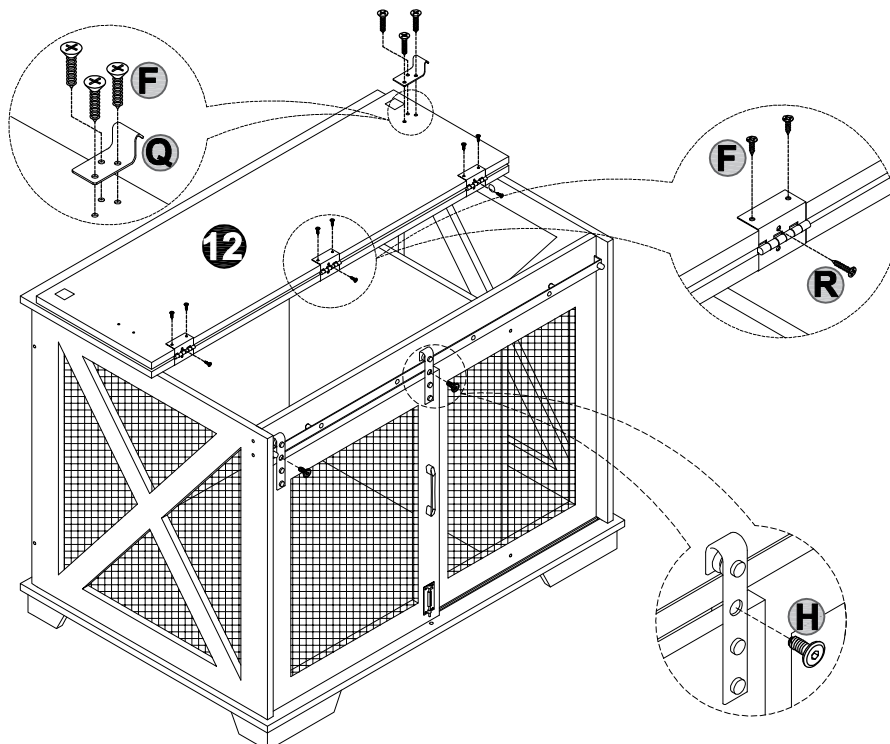
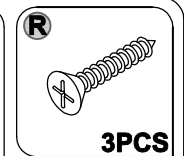
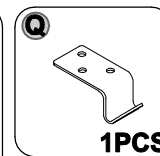
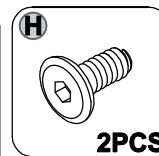
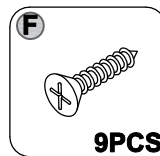
Step 11

Attach the sliding barn door (11) to the assembled parts as shown

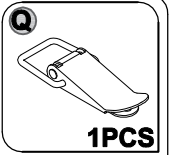
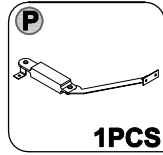
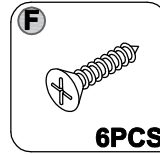


Step 12

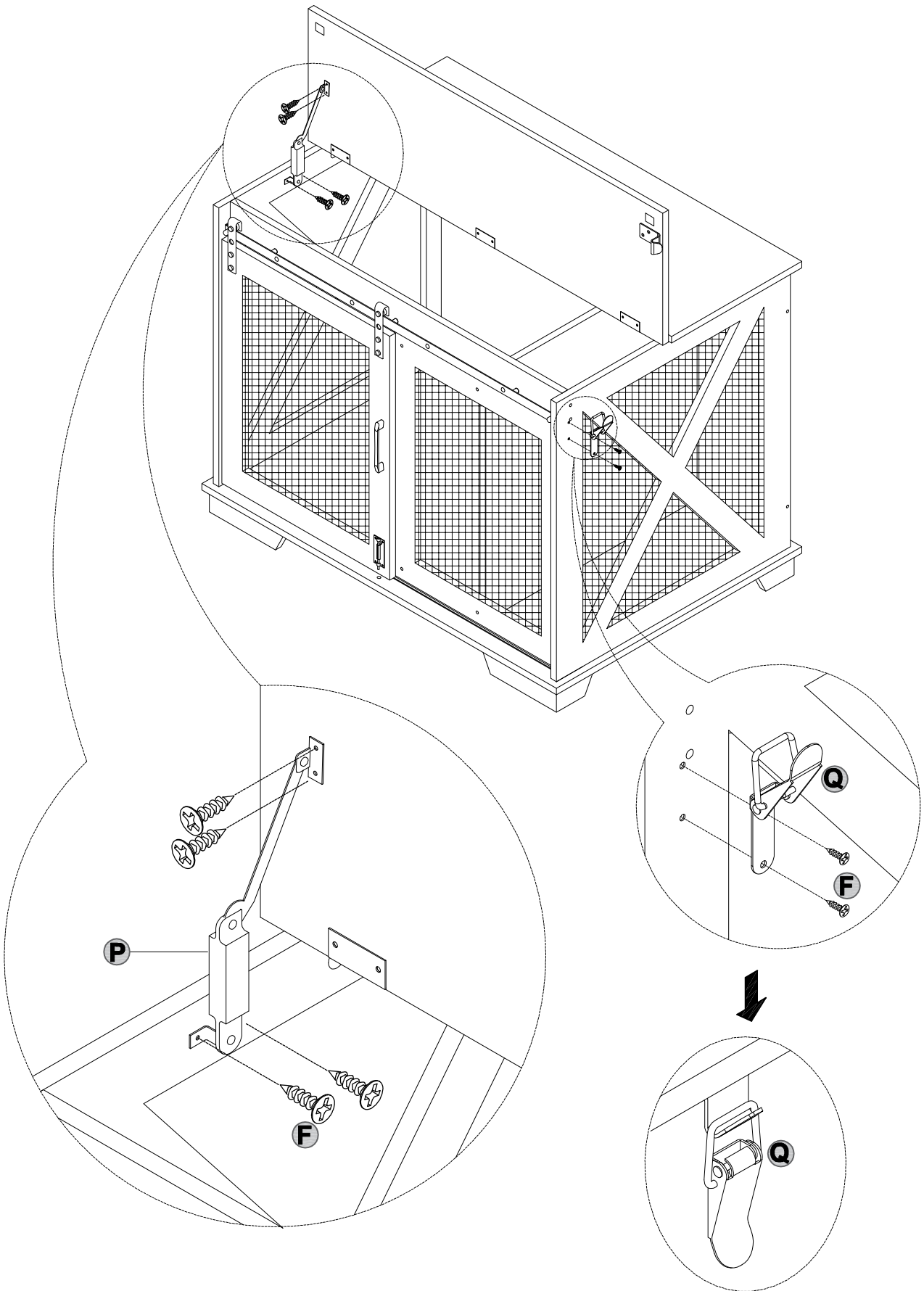
Attach the board (12) to the assembled parts with screws (F) and (R) as shown. Tighten the bolt (H) for keeping the barn door couldn't loss off from frame.



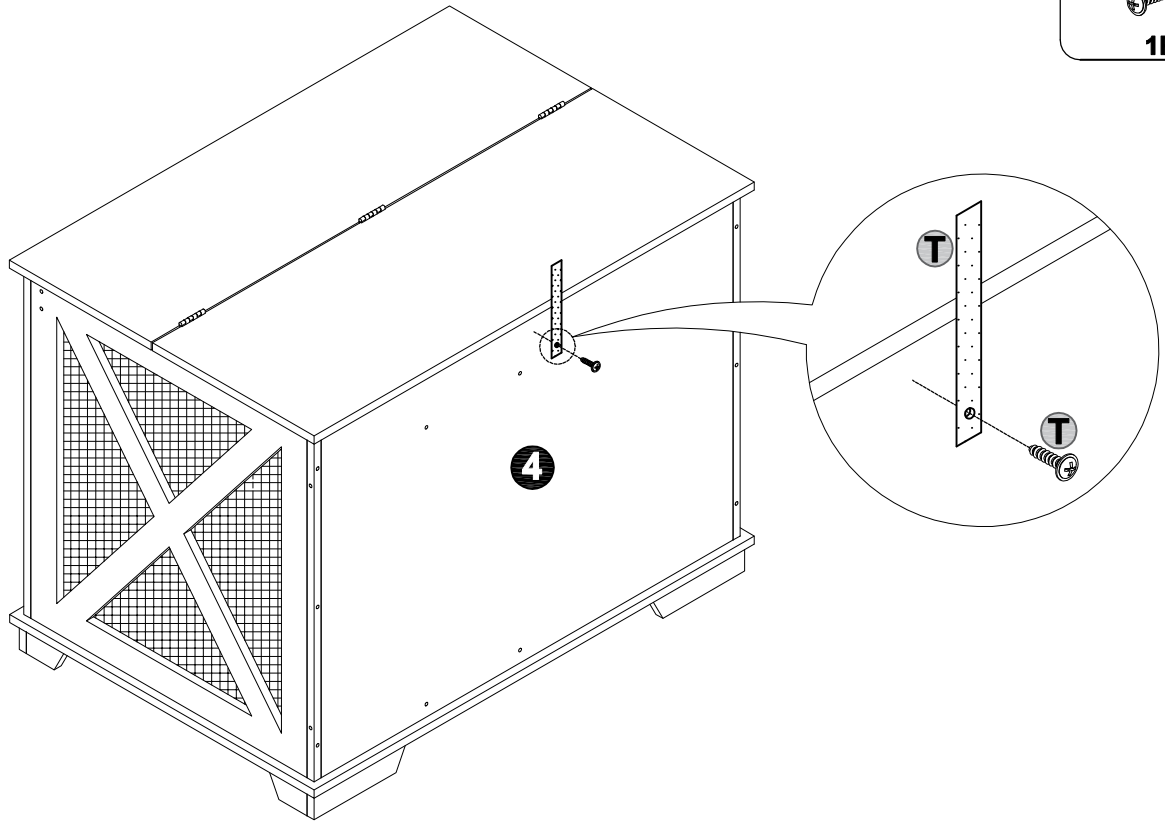
Step 13



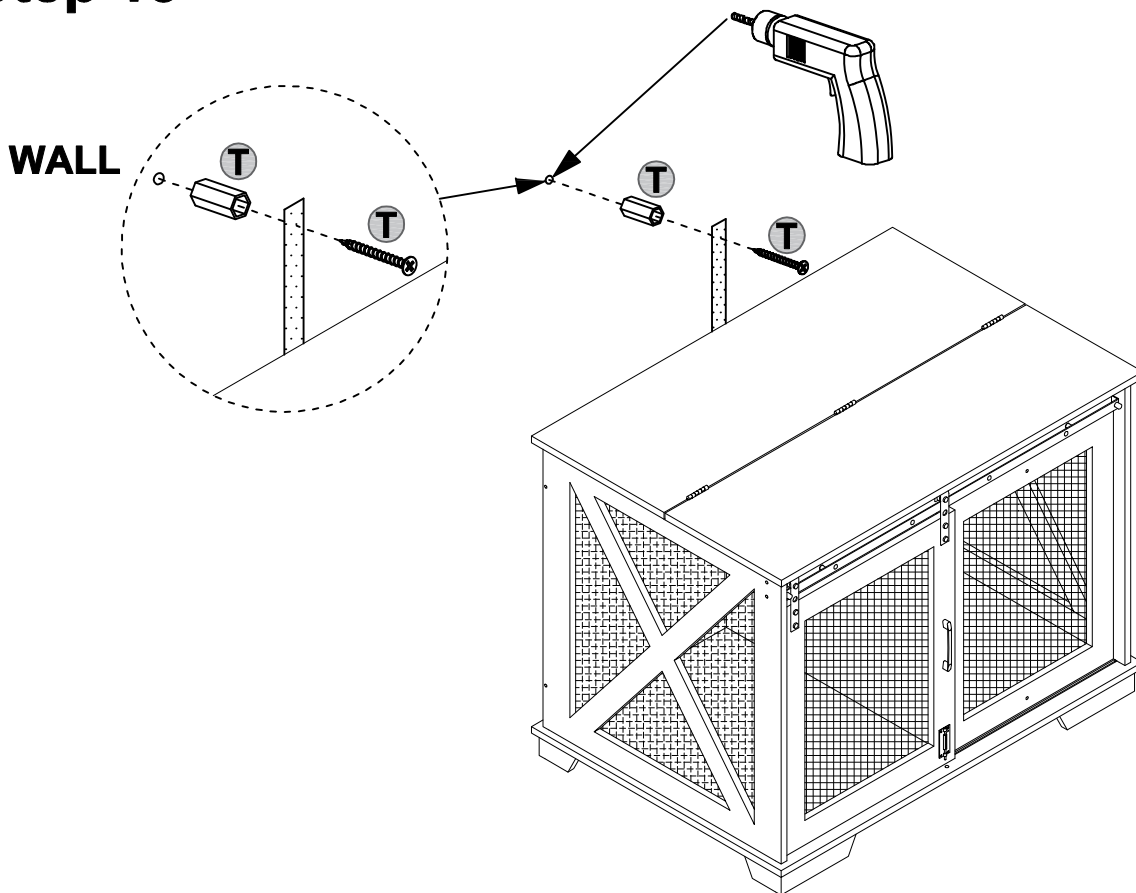
Attach the support hinge (P) to the assembled parts with screws (F) as shown



Step 14



Step 15



IMPORTANT SAFETY INFORMATION

Please carefully read the instructions and caution warnings below before assembling the product. Following this guide will ensure that you install, use and maintain the product properly.

- Please keep this installation and user manual/instructions for future reference in case you need to assemble the product.
- Do not assemble if you notice serious damage such as cracks or bends.
- During installation, please use work gloves for hand safety.
- Please assemble the unit on carpeted floor or the flat cardboard box to avoid scratching the surface or your floor while assembling on the floor.
- To assemble, please use the complimentary installation tools (Allen Wrench). Pay more attention to the direction of components at each steps.
- It is recommended that two people work together to assemble the product.
- Please do not tighten the screws up too much, just to 80% before you finish to make the installation go on successfully.

HOW TO MAINTAIN YOUR PRODUCT:

- Check the screws of the product are not loose from regular use.
- Do not use sharp instruments, rubbing alcohol, corrosive chemicals, or abrasive cleaners to clean the product.
- Do not keep the product in a damp environment for a long period of time. The damp environment may cause the iron components to rust and the plates to bulge and crack.