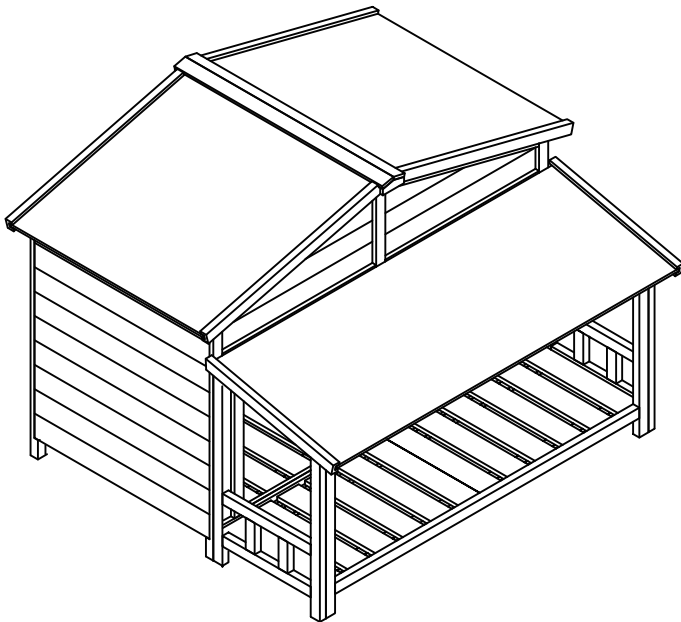


DOG HOUSE

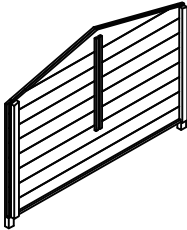
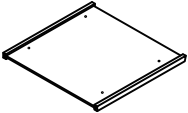

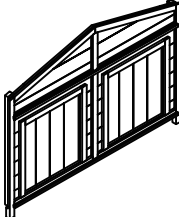
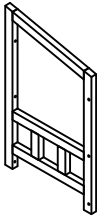
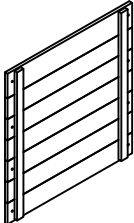
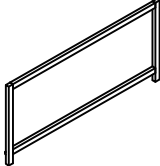
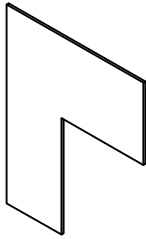
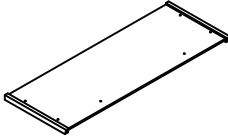
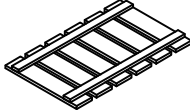
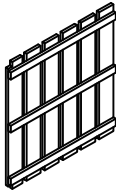

ITEM#DX-002

Assembly Instructions



Dog House Parts List




-Carefully remove all the parts from the carton and place them individually on a soft cloth to prevent scratches or other damage.

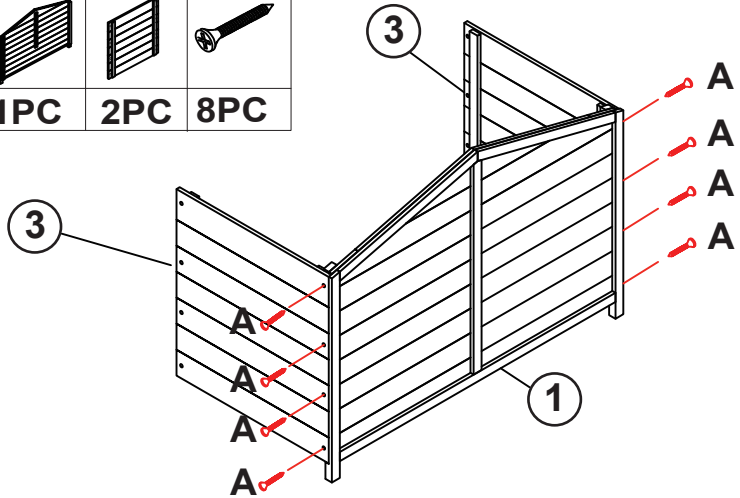
①		1PC	⑥		2PC
			⑦		1PC
②		1PC	⑧		2PC
③		2PC	⑨		1PC
④		1PC	⑩		1PC
			⑪		2PC
⑤		2PC	A		46PC

-Carefully and strictly follow these assembly&installation instructions to ensure a completed product as designec

Step 1:



Connect part ① and part ③ first, and fix them with 8 screws.

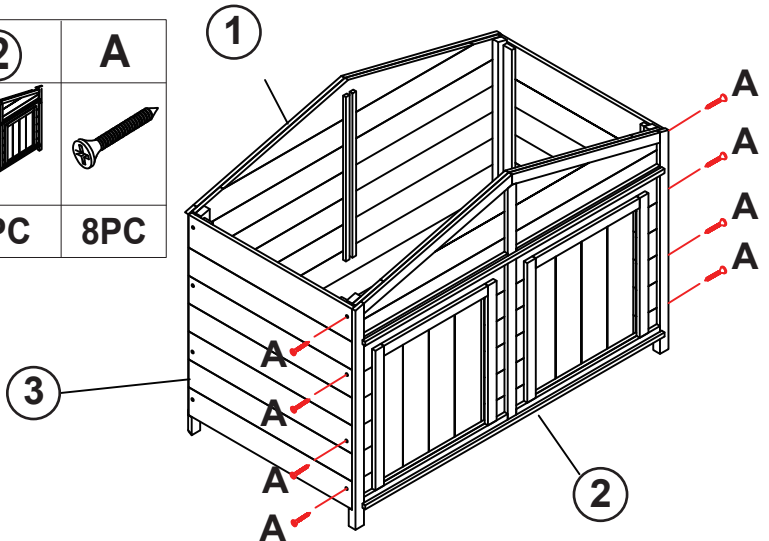
	①	③	A
Required Tools			
	1PC	2PC	8PC



Step :2


Connect part ② and part ③ , and fix them with 8 screws.

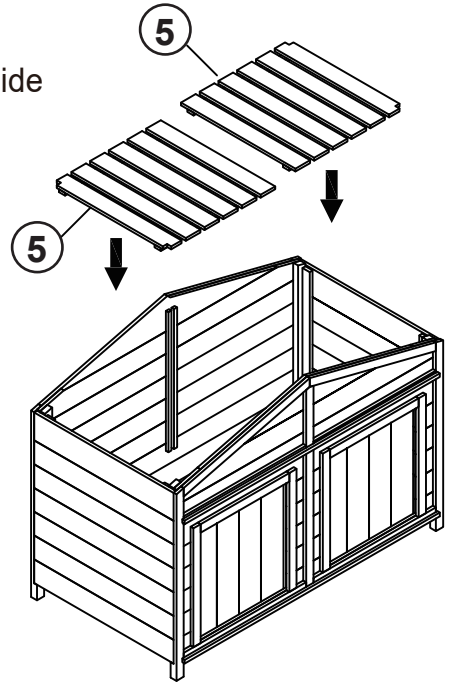
	②	A
Required Tools		
	1PC	8PC



Step 3:


Place two part ⑤ on the bottom inside the dog house.

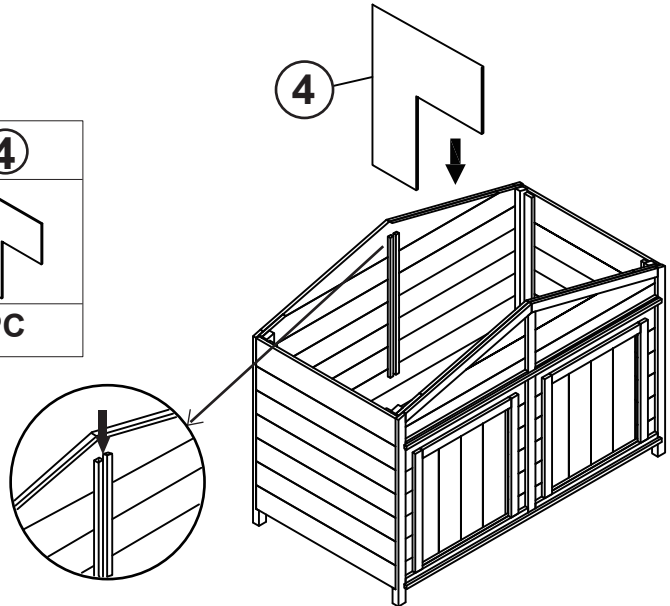
Required Tools	⑤
	
	2PC



Step 4:

Place part ④ along the card slot to the bottom

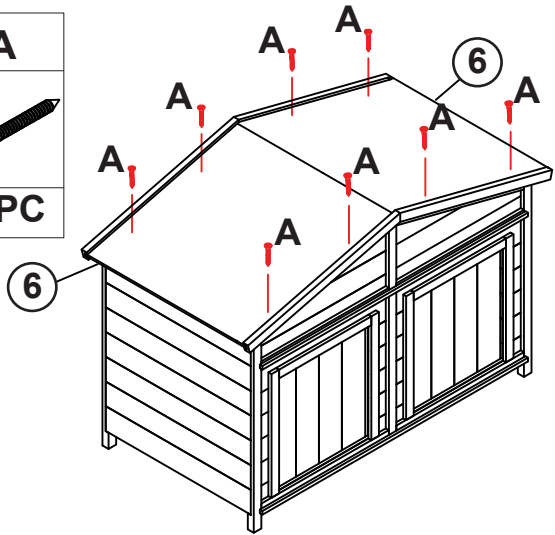
Required Tools	④
	
	1PC



Step 5:

Fasten the ⑥ part to the frame with 8 screws

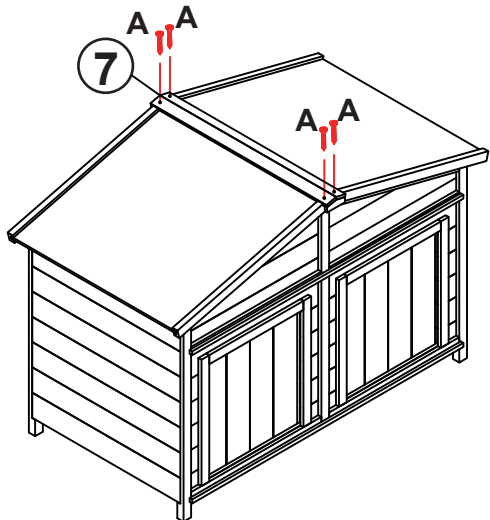
Required Tools	⑥	A
	2PC	8PC



Step 6:




Connect the ⑦ parts with the asphalt roof with 4 screws

Required Tools	⑦	A
	1PC	4PC

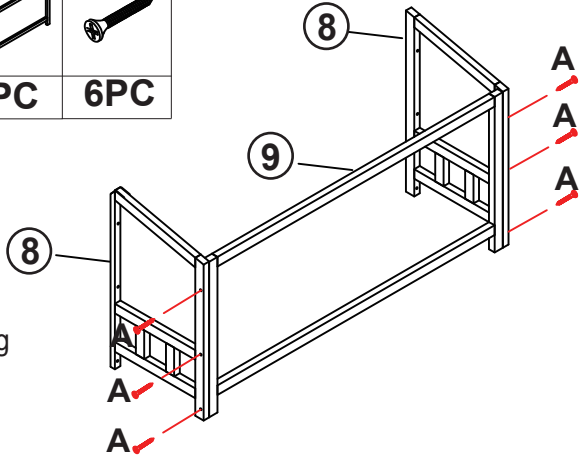


Step 7:

Connect part ⑧ and part ⑨ with 6 screws.

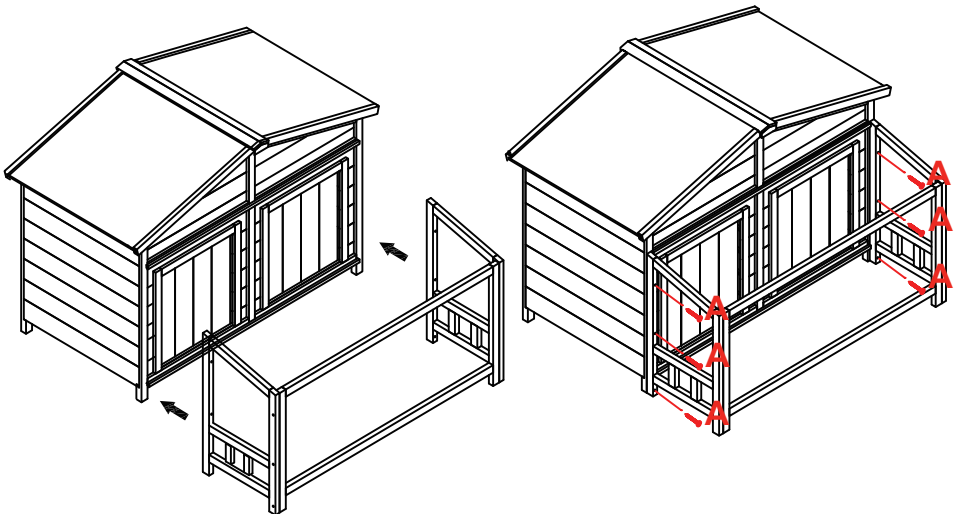
	⑧	⑨	A
Required Tools			
	2PC	1PC	6PC

Note: The ⑧ frame has a left and right side respectively. Install and secure the frame according to the direction of the pre-drilled holes.




Step 8:

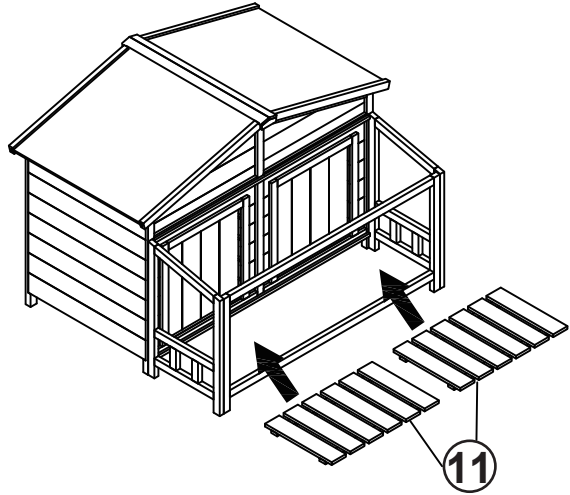
As shown in the picture, fix the frame and the dog house with 6 screws.



Step 9:



Place the (11) base plate on the bottom of the frame.

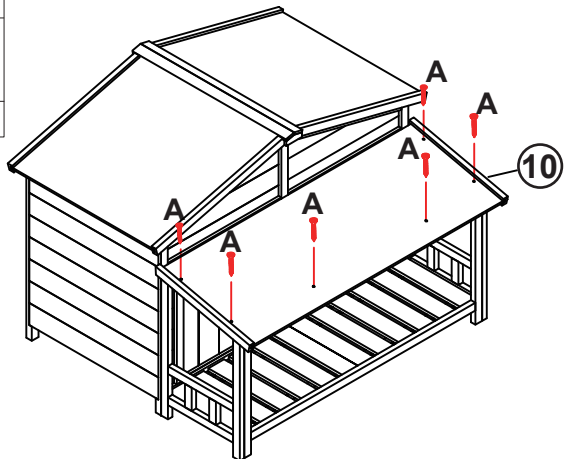
Required Tools	(11)
	
	2PC



Step 10:

Fasten the part (10) asphalt board to the frame with 6 screws.

Required Tools	(10)	A
		
	1PC	6PC



AFTER-SALES SERVICE CARD

We sincerely thank you for trusting our service and our products, and may this product add enrichment to your home. We guarantee that the product has undergone strict quality inspection and meticulous packaging. If you encounter any issue regarding either shipping or the product, please feel free to contact us at any time. We'd be more than happy to serve you wholeheartedly.

- This manual contains important information and keep it properly.
- Please avoid harsh, corrosive and abrasive cleaners.
- Keep dry and avoid damp environments.