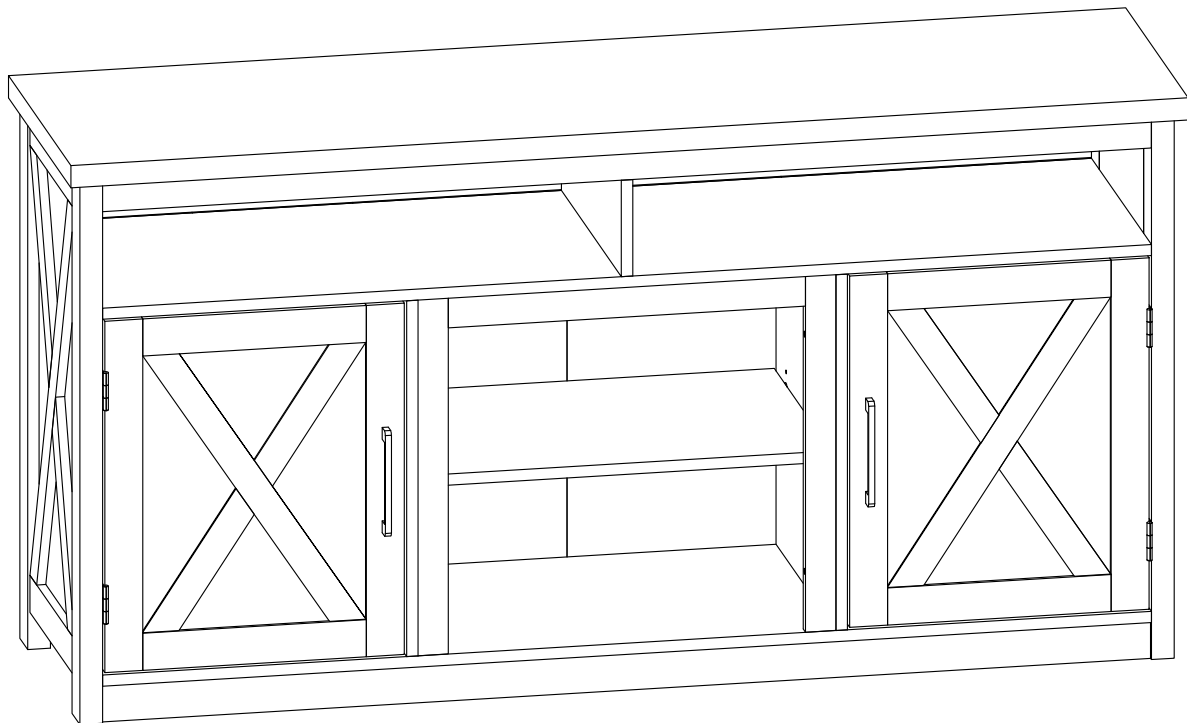


Barn door TV Stand

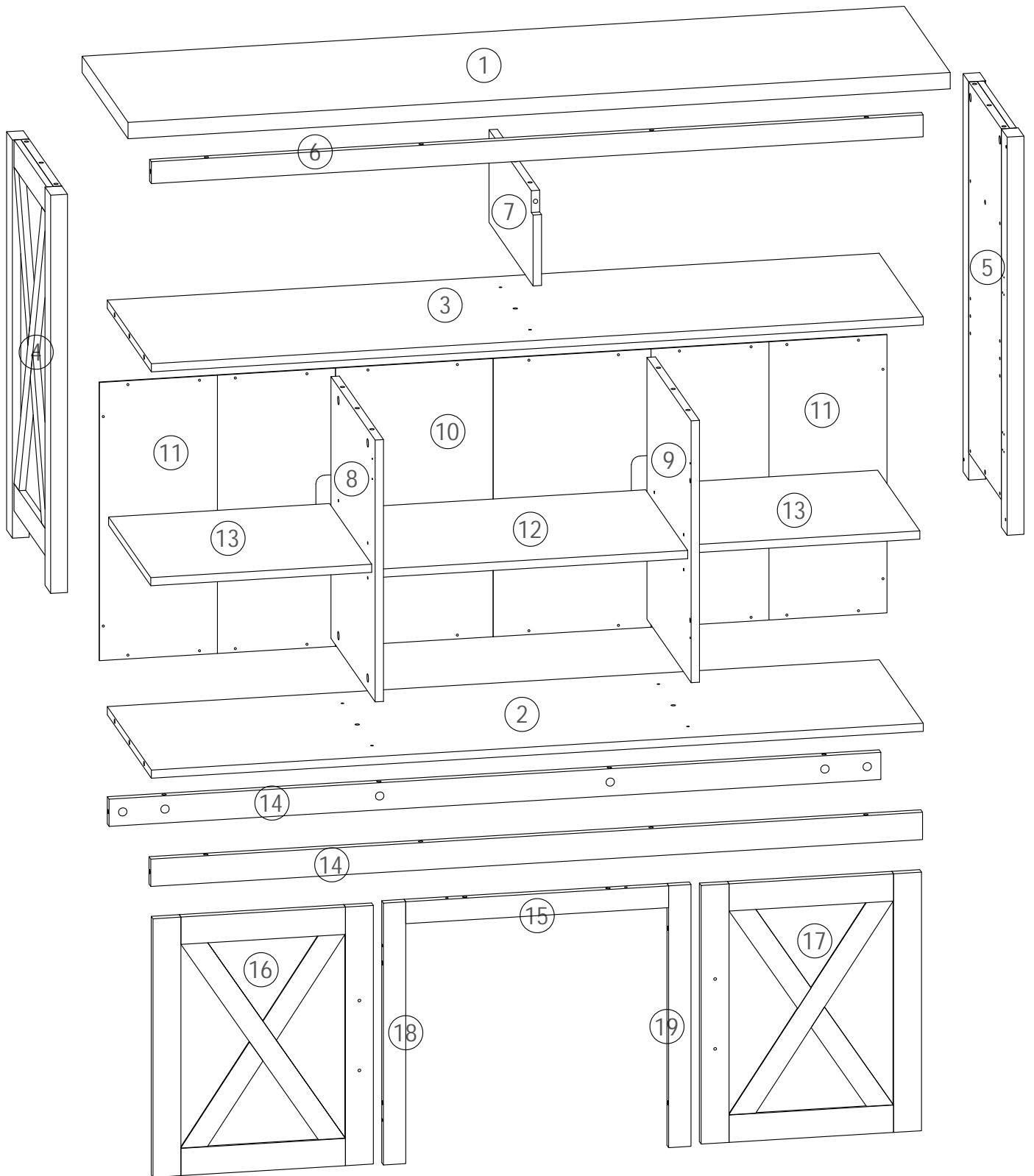
Item#YS-008

Assembly Instructions

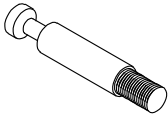
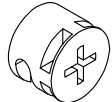
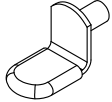
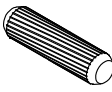
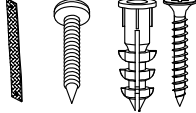

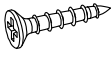
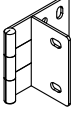
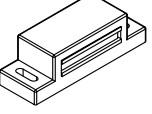

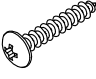
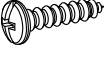



NOTE: This instruction manual contains **IMPORTANT** safety information.
Please read carefully before assembling the product

List of Parts

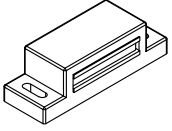


List of Hareware

No.	Hare ware	Quantity
A		49
B		49
C		12
D		18
E		2
F		4
G		32
H		4
I		2
J		4
K		32
L		4
M		2

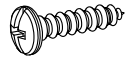
STEP1

I

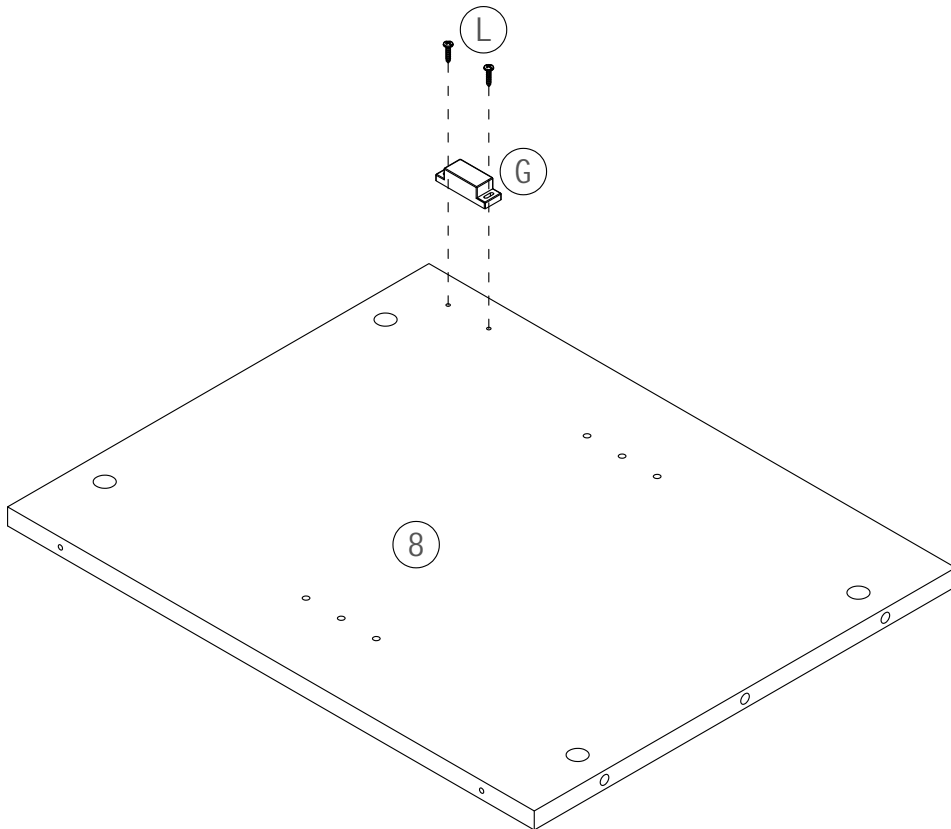
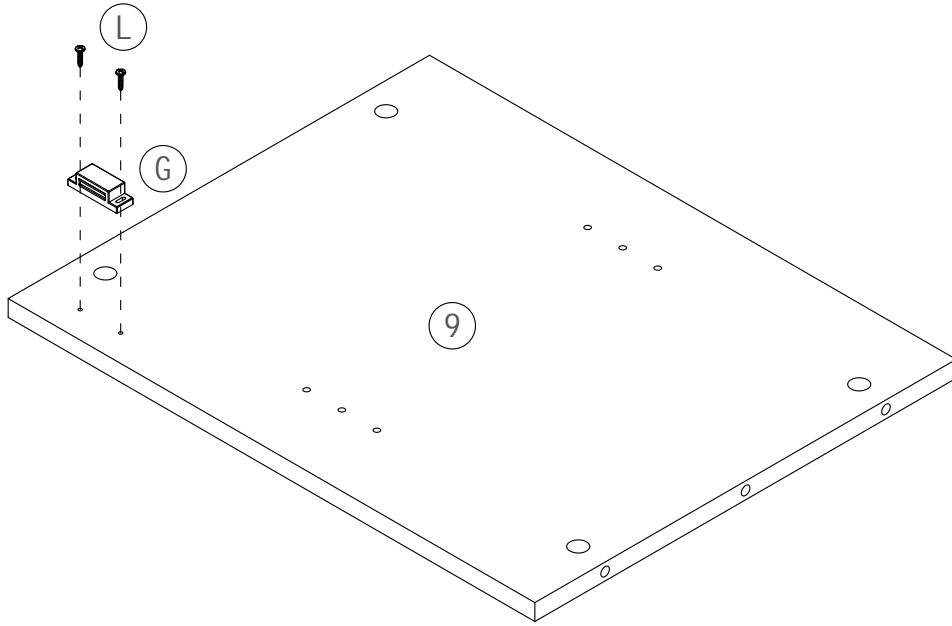


2 PCS

L

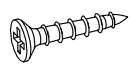


4 PCS



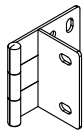
STEP2

G

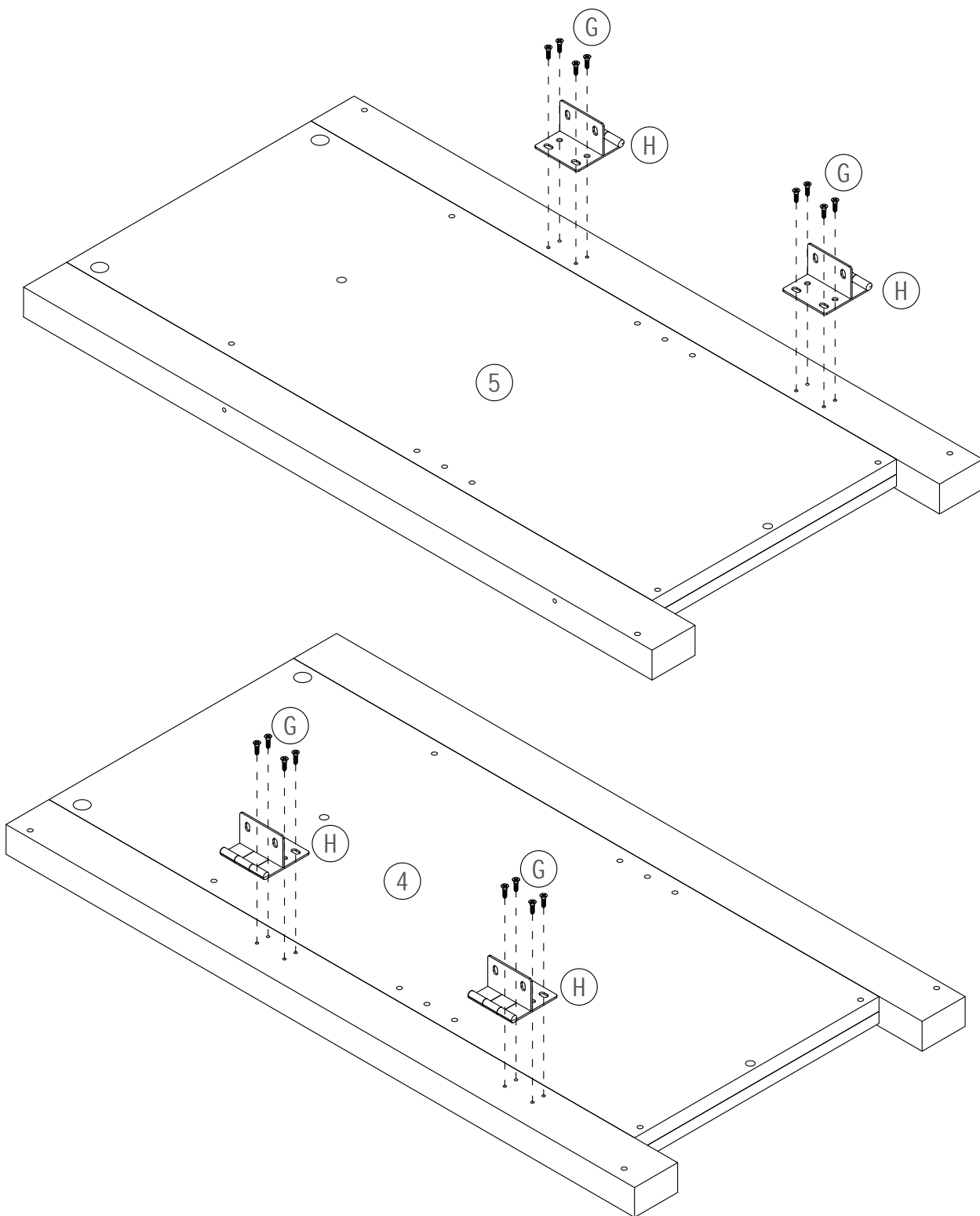


16 PCS

H

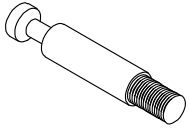


4 PCS



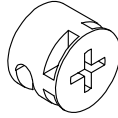
STEP3

A

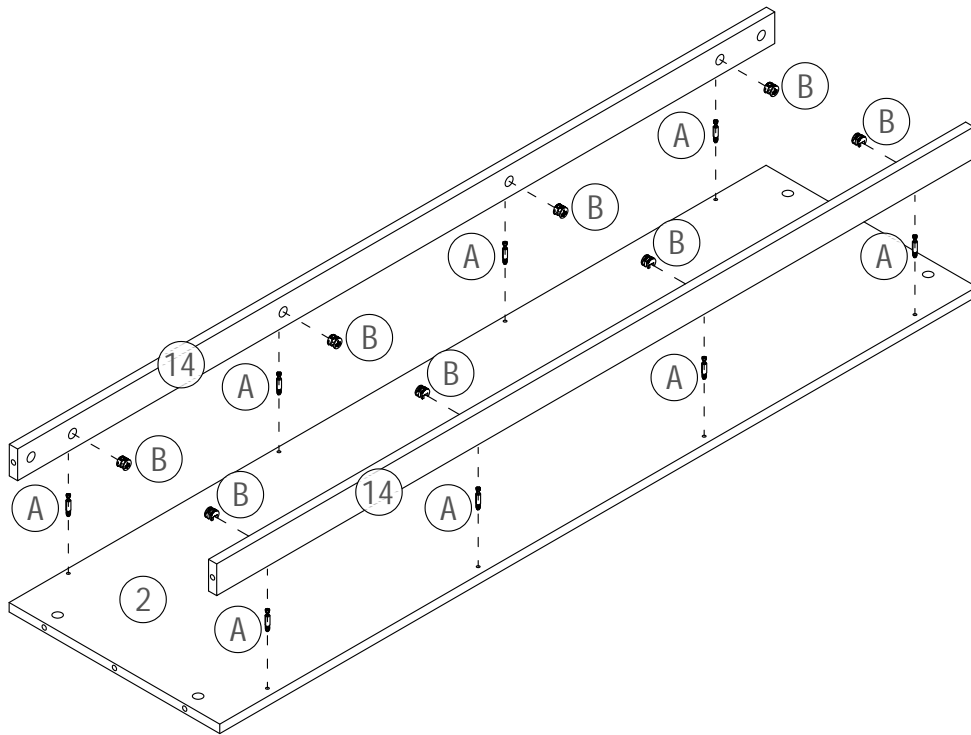


8 PCS

B

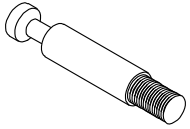


8 PCS



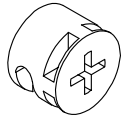
STEP4

A



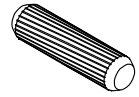
8 PCS

B

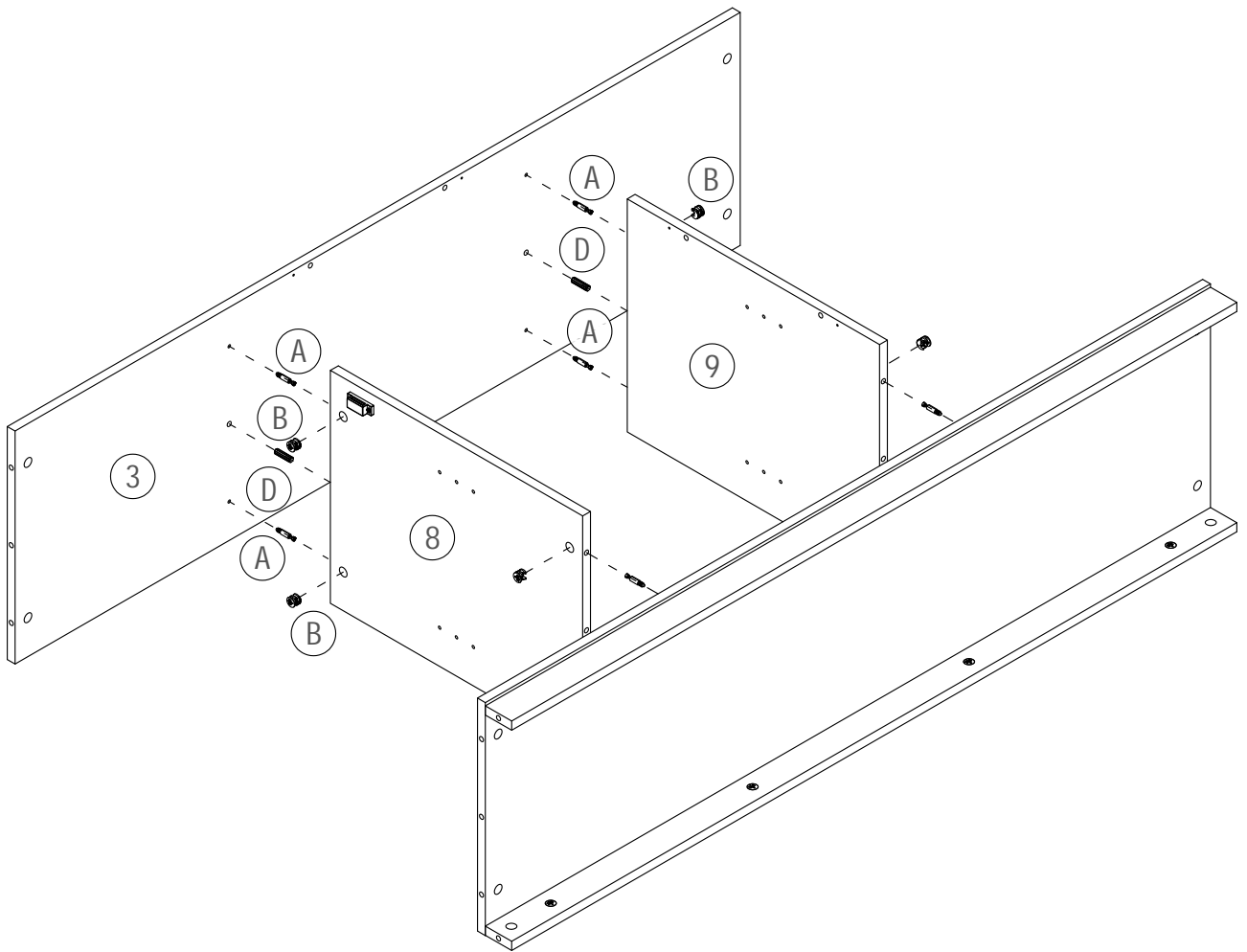


8 PCS

D

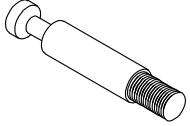


4 PCS



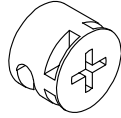
STEP5

A



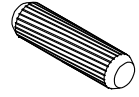
2 PCS

B

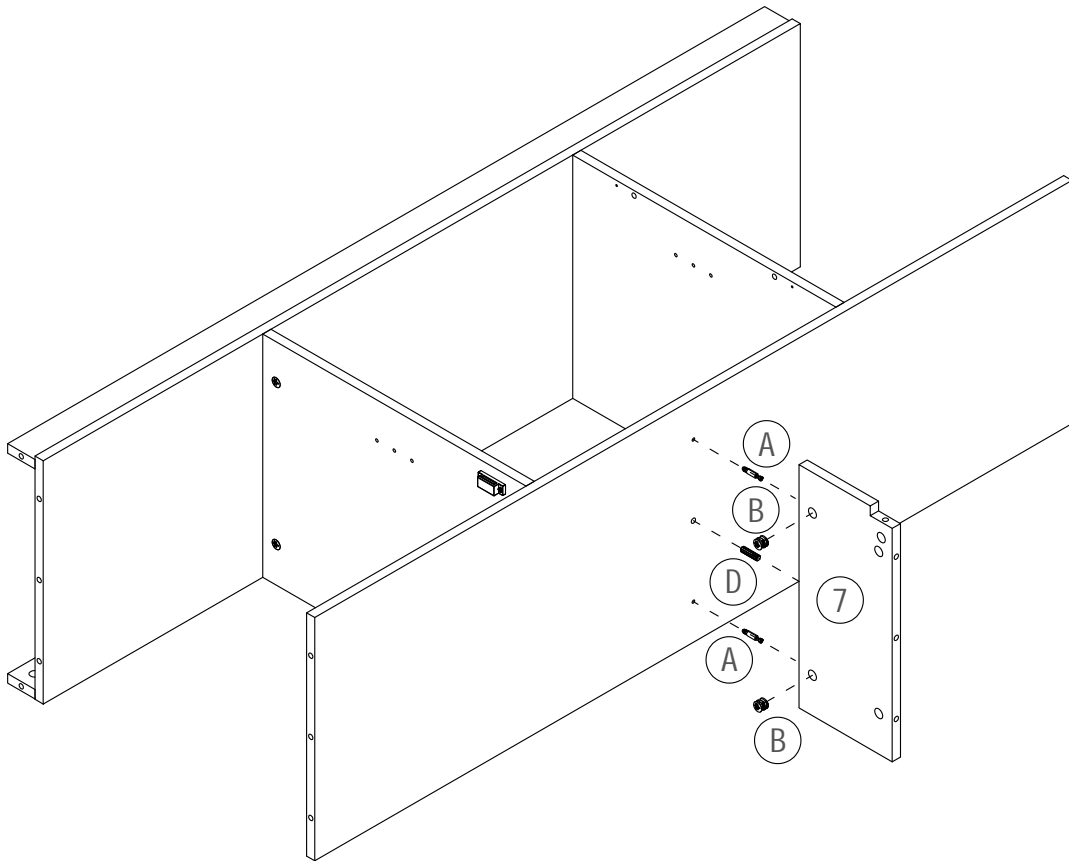


2 PCS

D

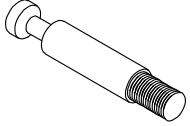


1 PCS



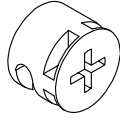
STEP 6

A

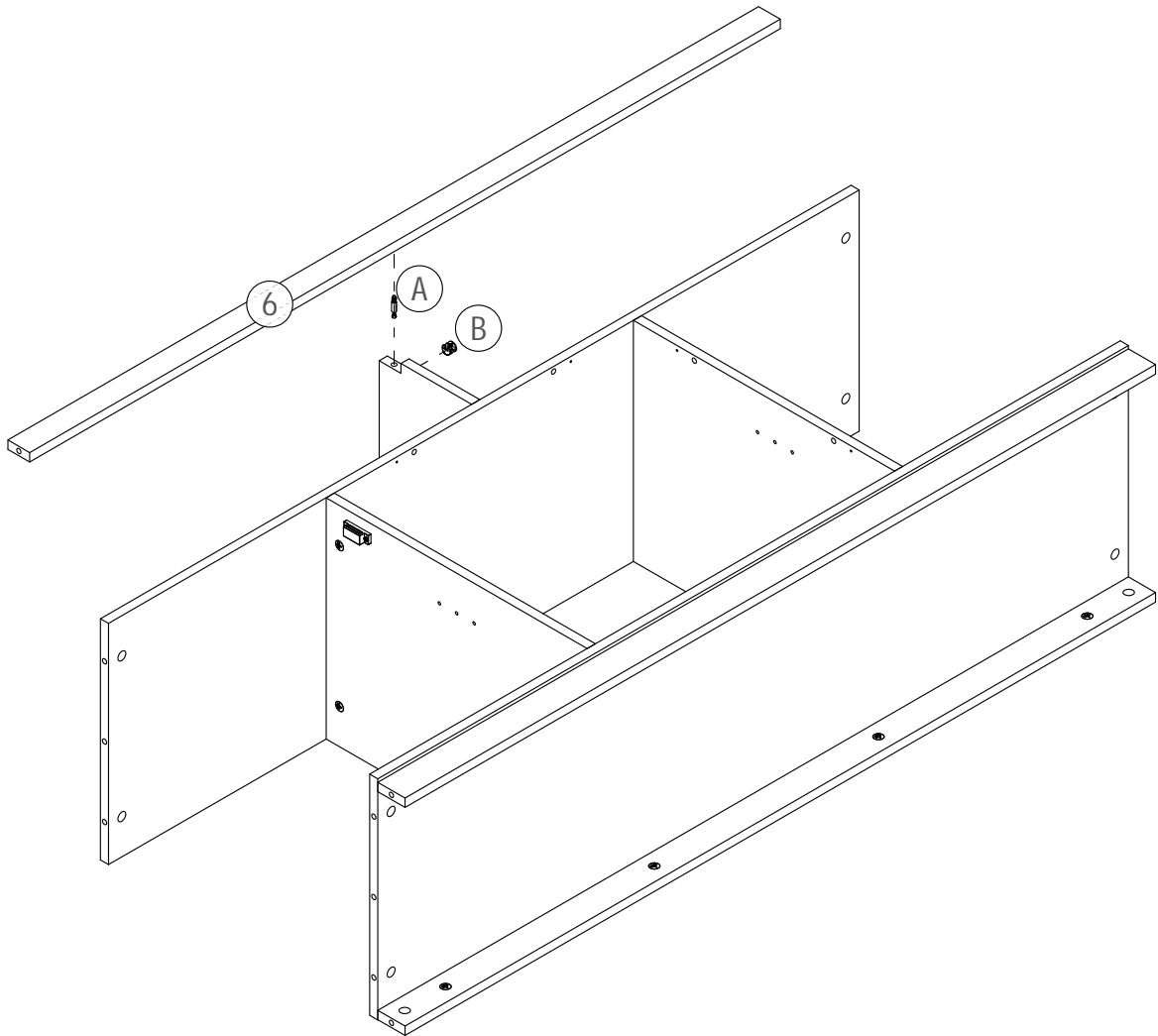


1 PCS

B

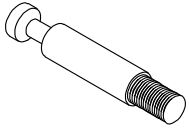


1 PCS



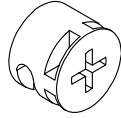
STEP 7

A



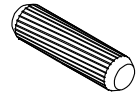
14 PCS

B

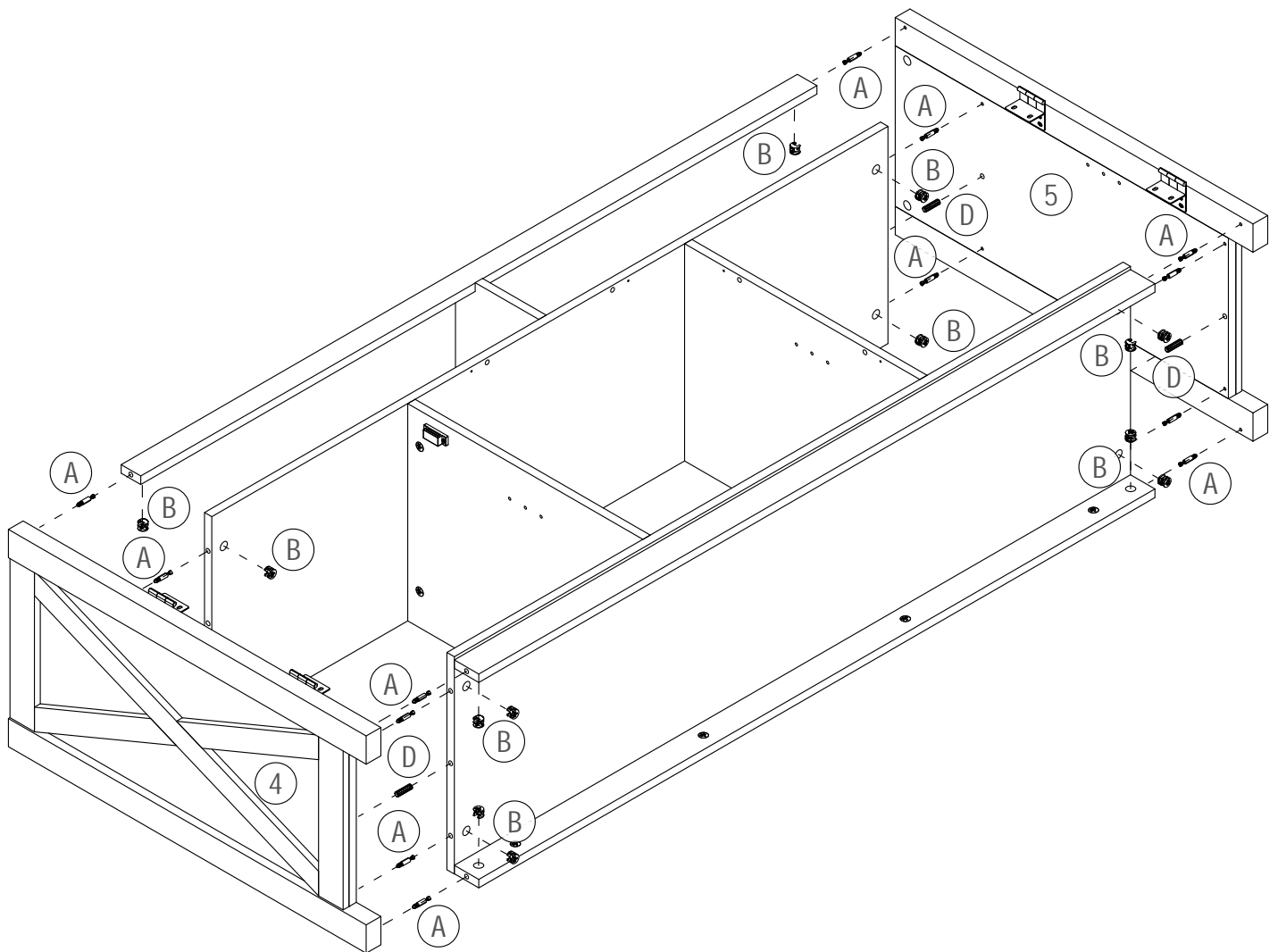


14 PCS

D

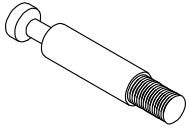


4 PCS



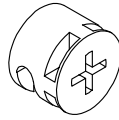
STEP 8

A



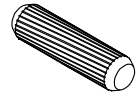
10 PCS

B

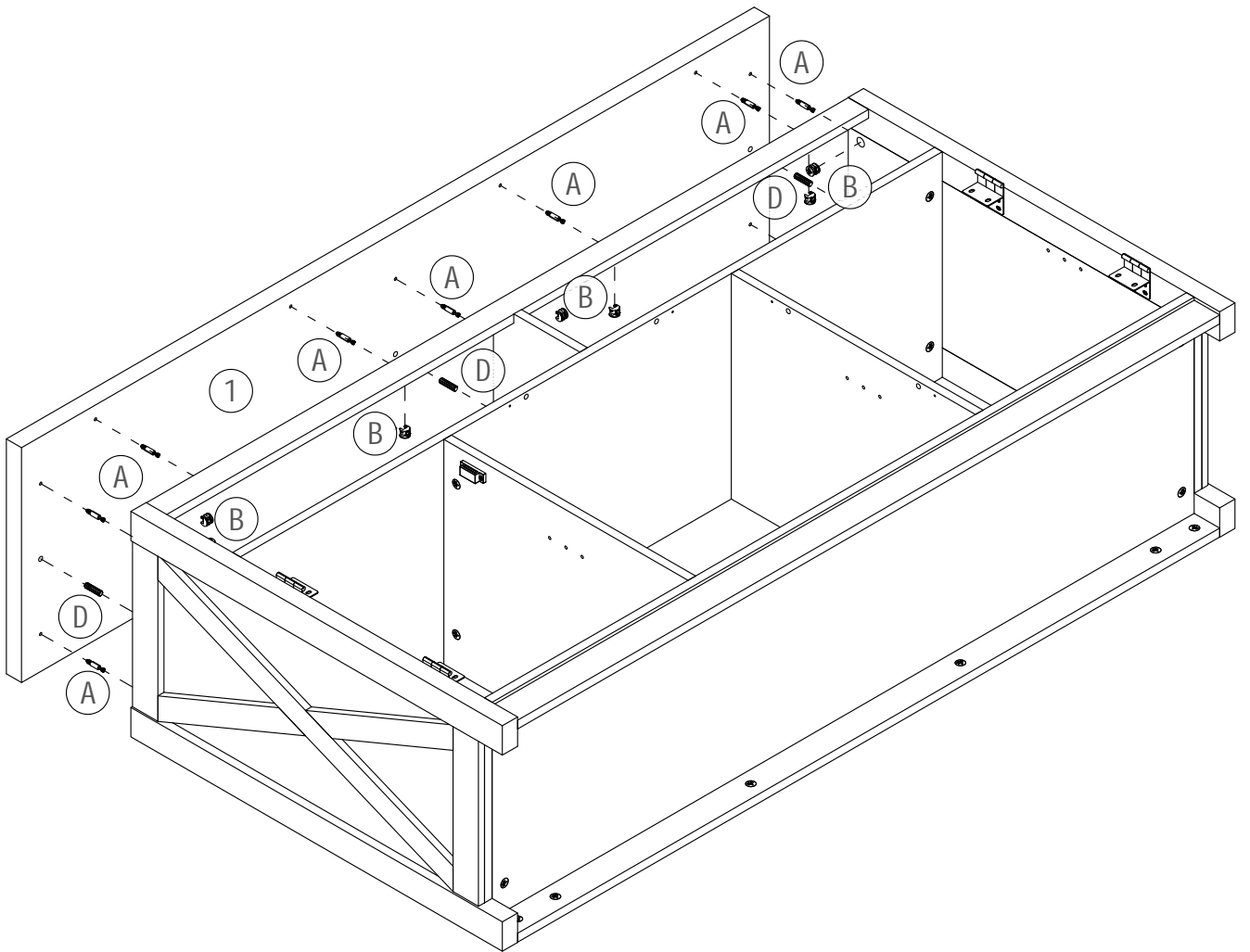


10 PCS

D

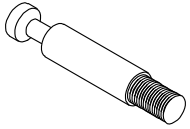


3 PCS



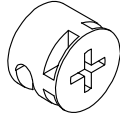
STEP9

A



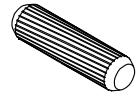
4 PCS

B

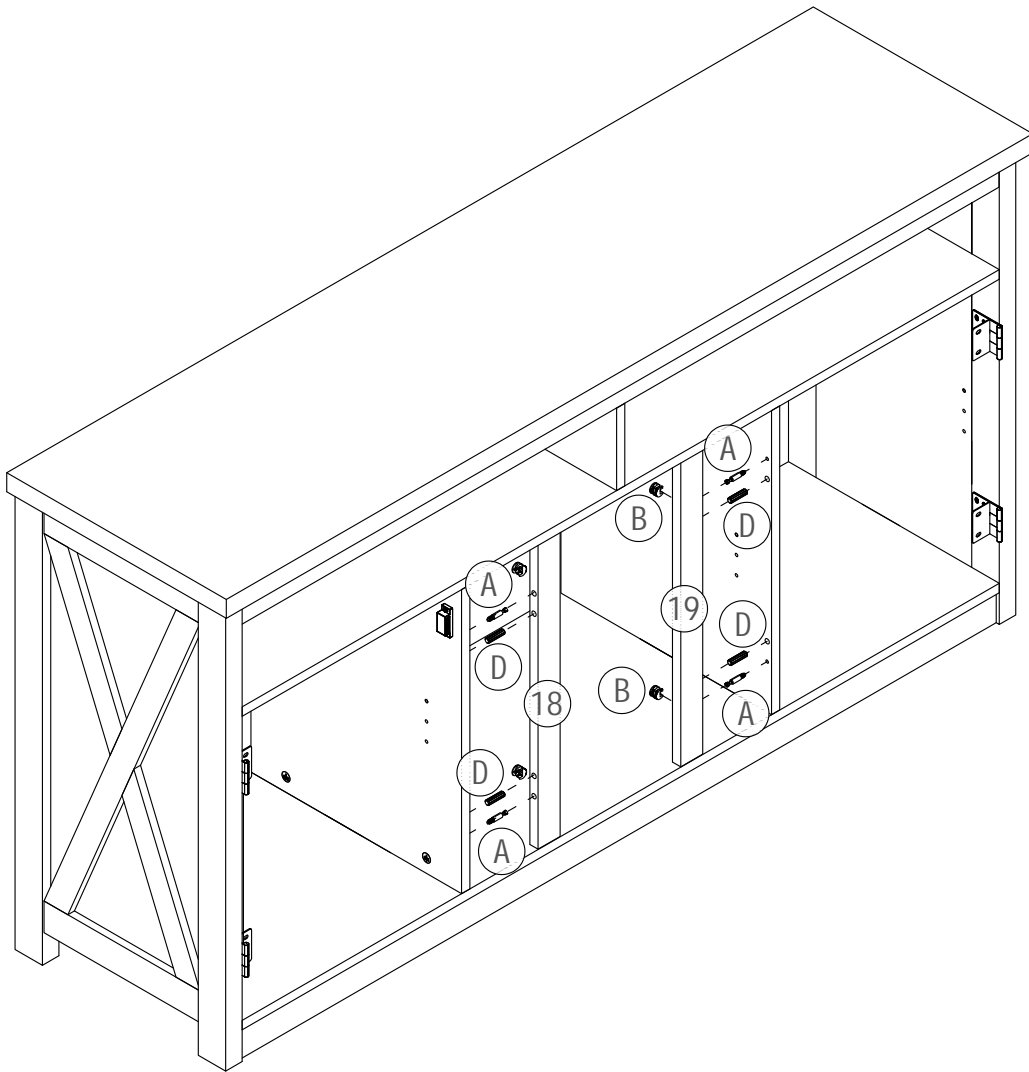


4 PCS

D

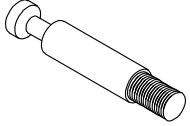


4 PCS



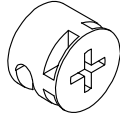
STEP10

A



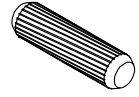
2 PCS

B

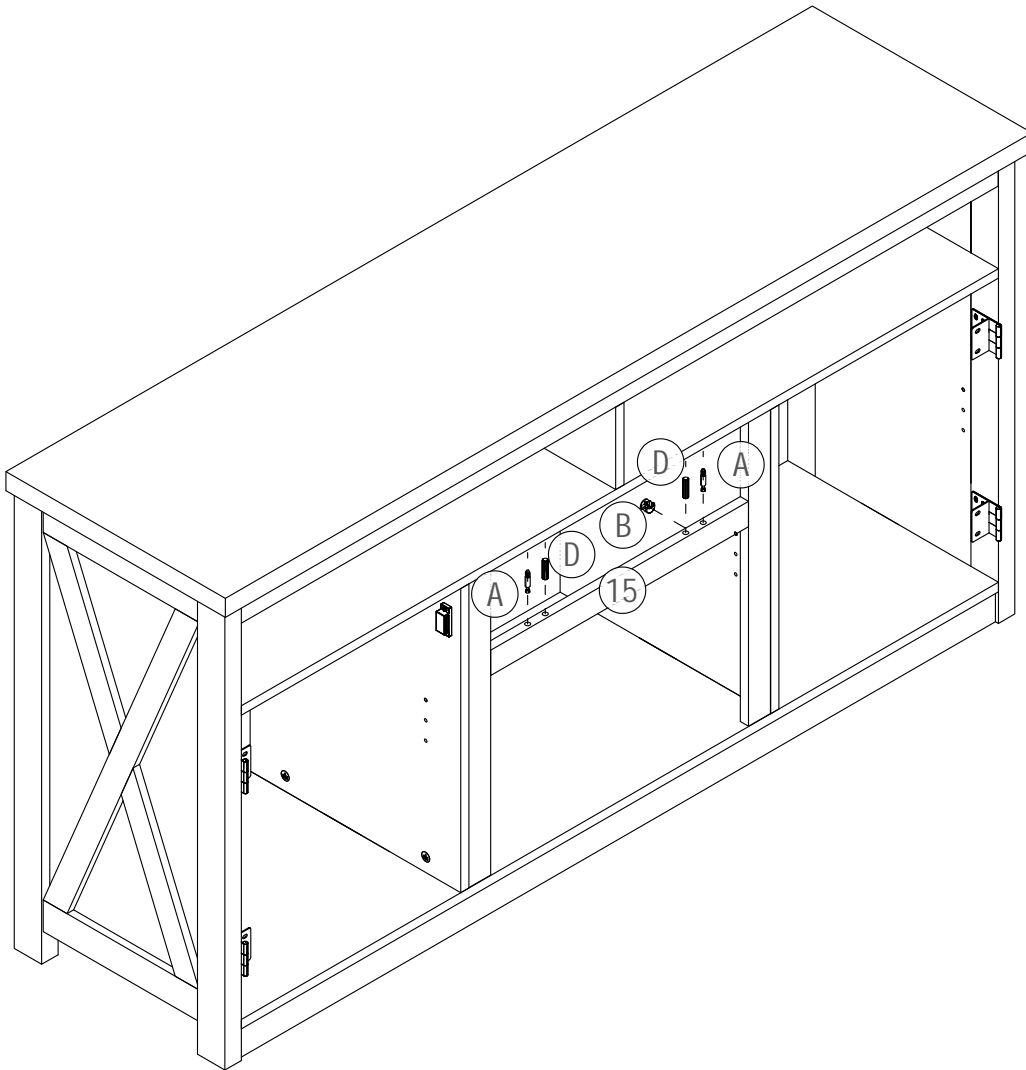


2 PCS

D

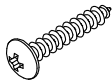


2 PCS

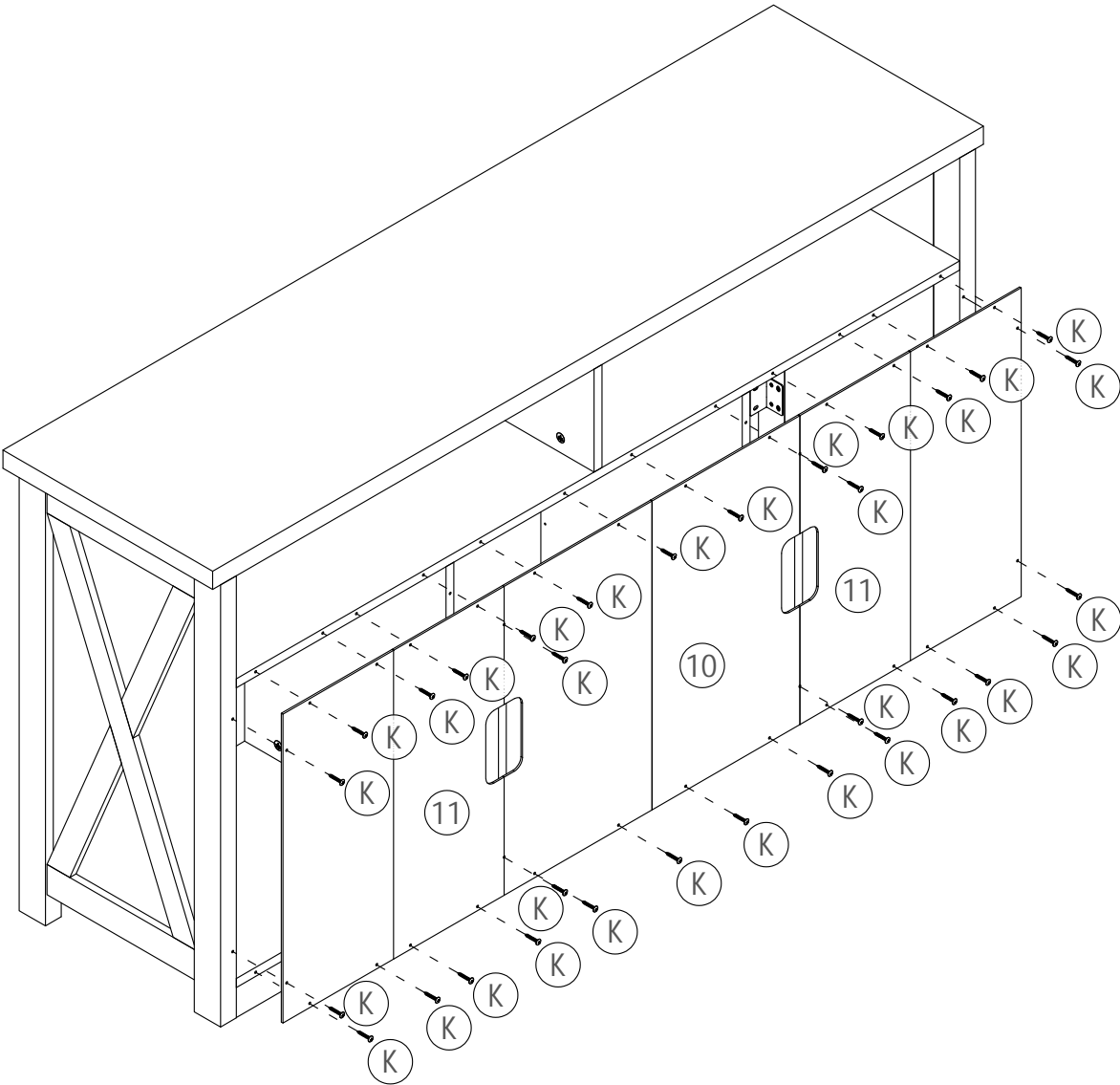


STEP11

K

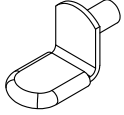


32 PCS

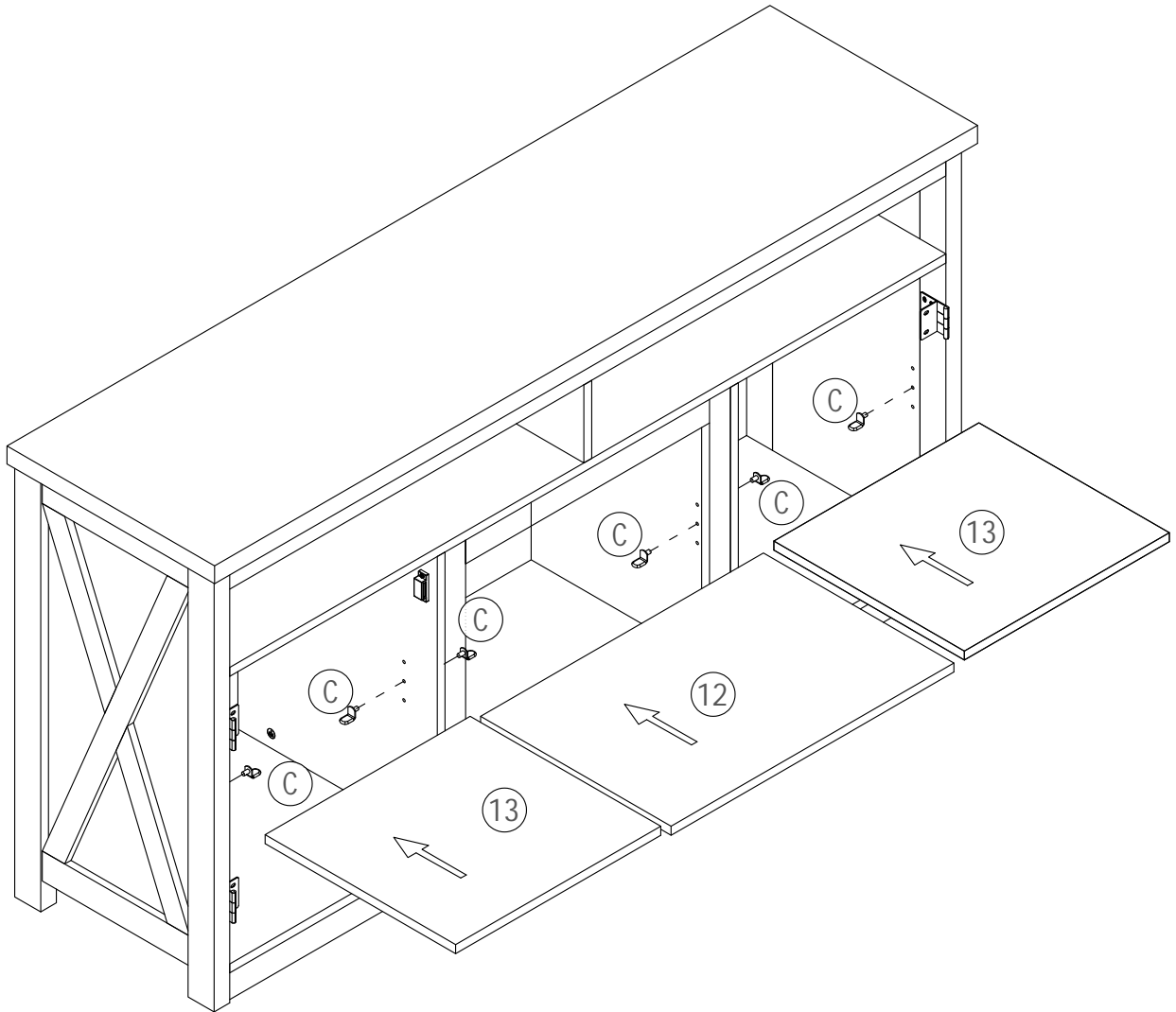


STEP12

C

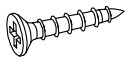


12 PCS



STEP13

G



4 PCS

F



2 PCS

J

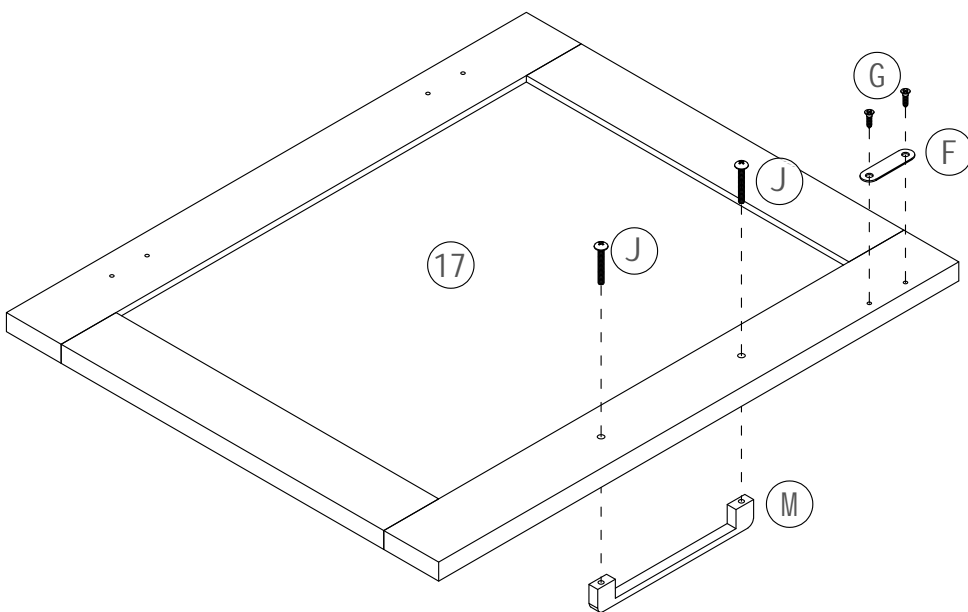
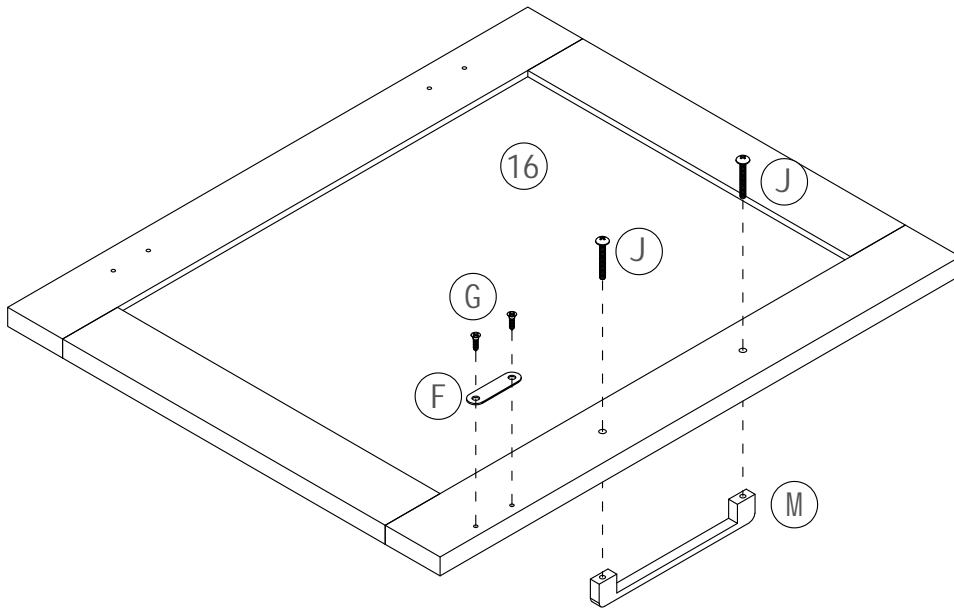


4 PCS

M

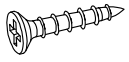


2 PCS

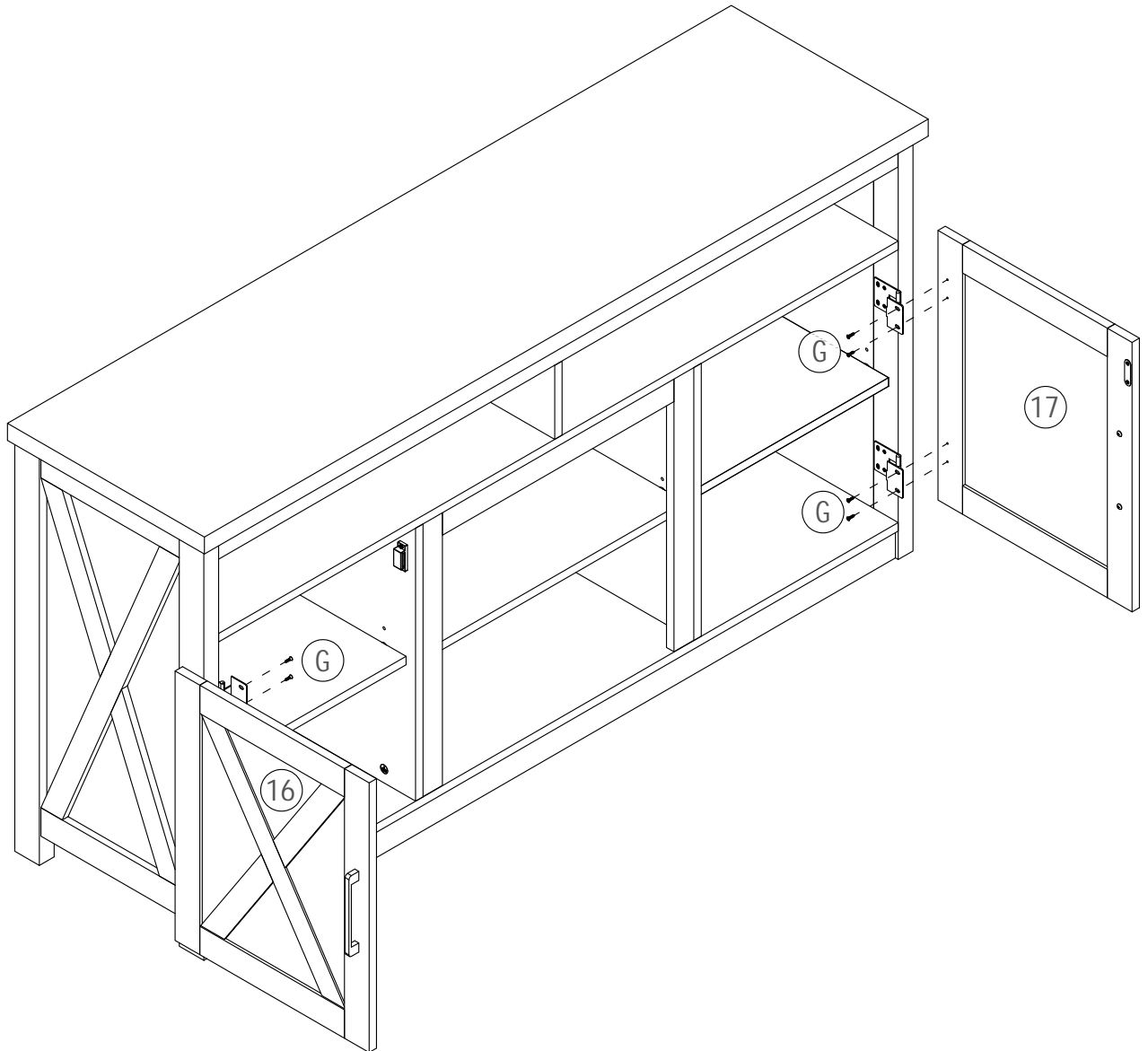


STEP14

G

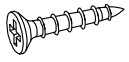


8 PCS



STEP15

G

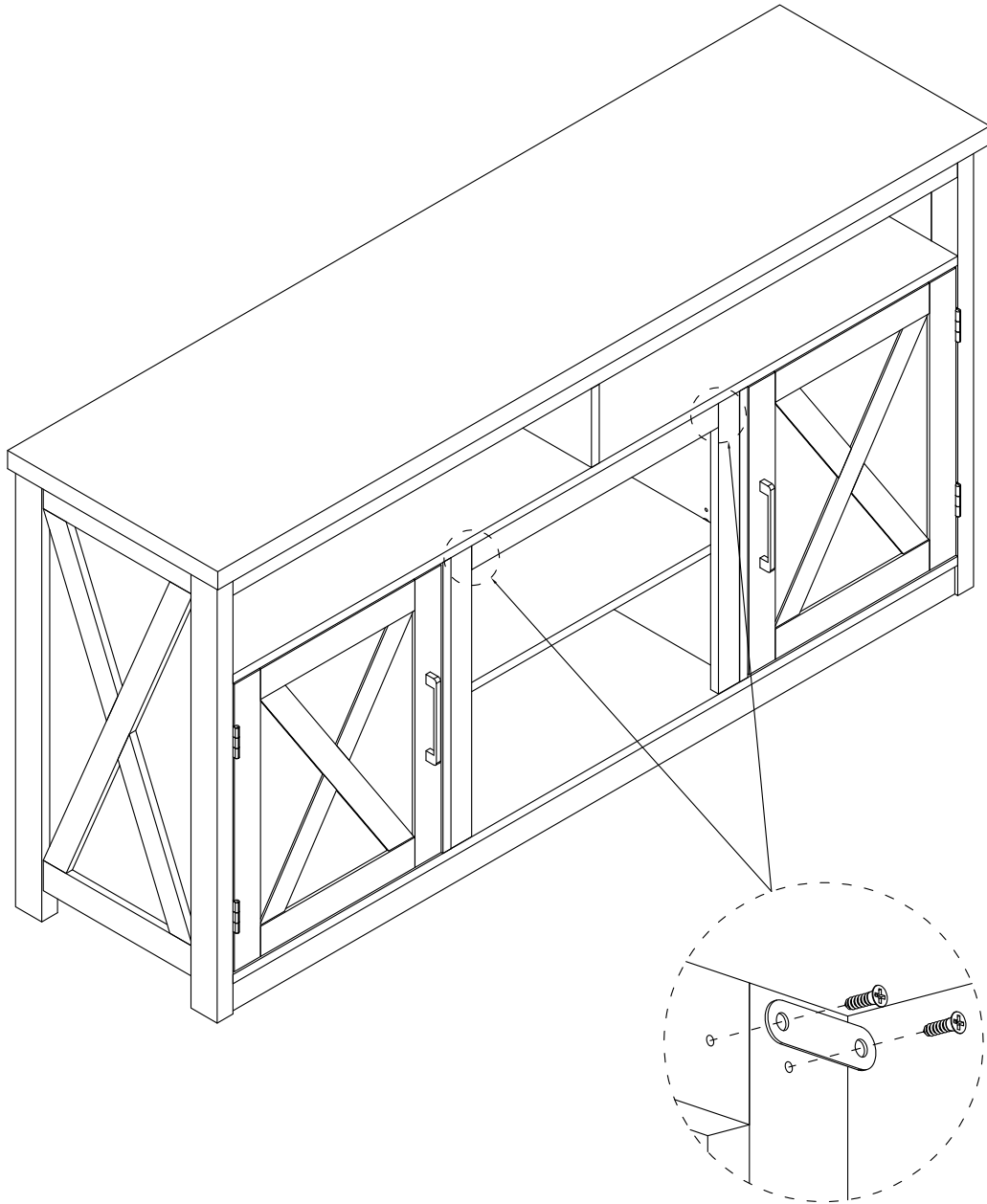


4 PCS

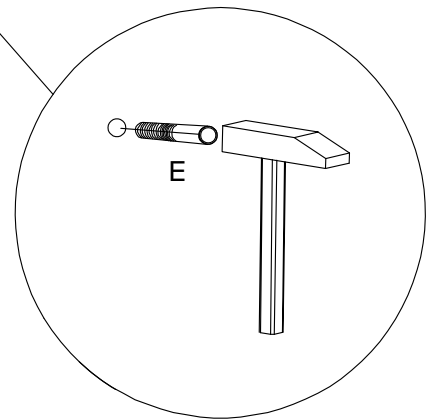
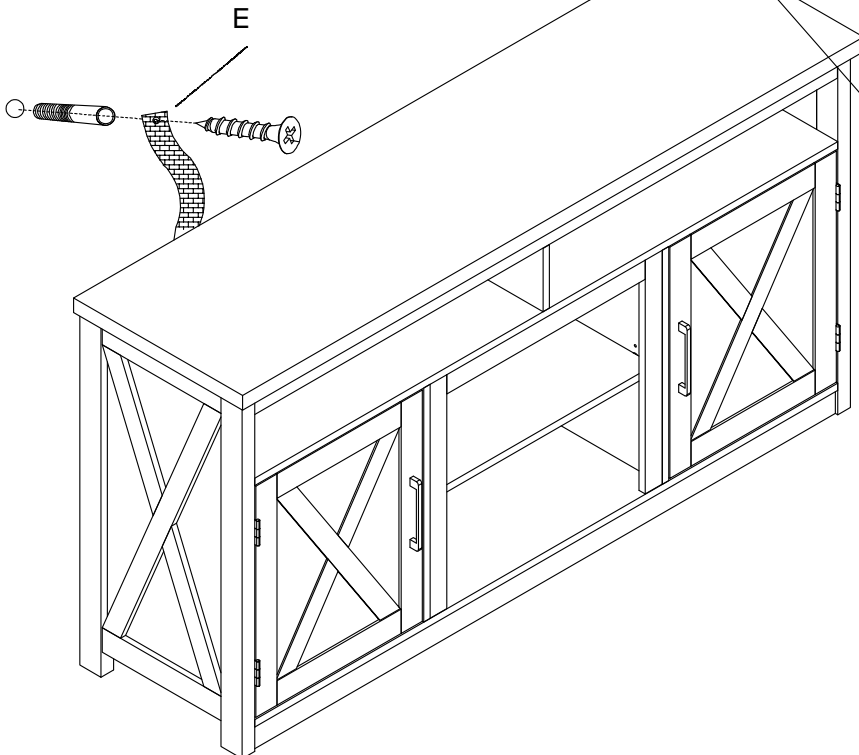
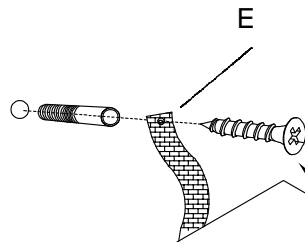
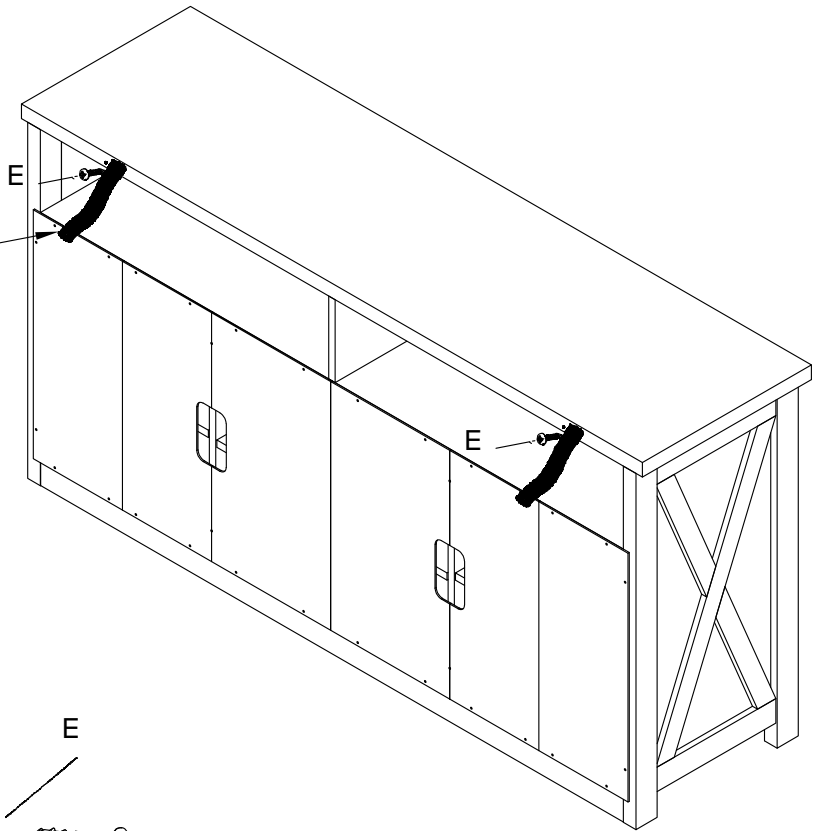
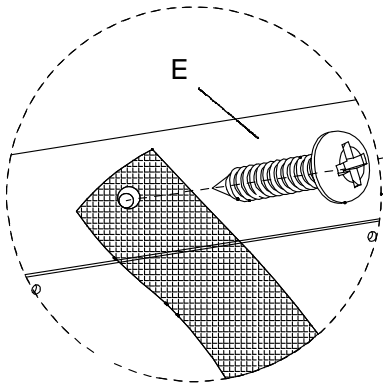
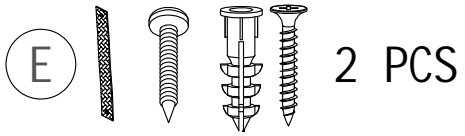
F



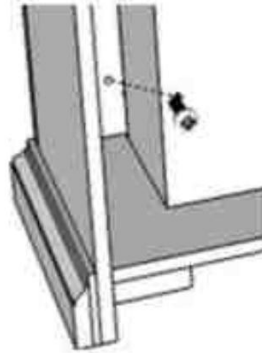
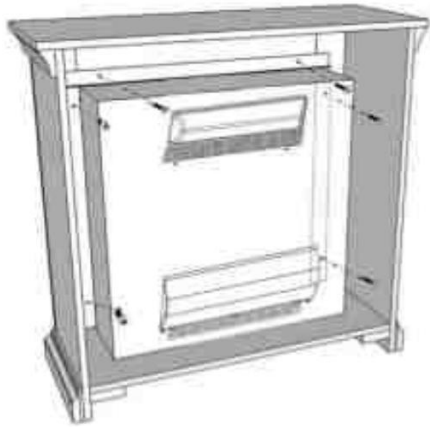
2 PCS



STEP 16



If you purchased an optional fireplace,
Please refer to the next page for installation.



FIREPLACE INSTALLATION

If you decide to install the fireplace into the mantel, carefully set the unit from the back of the mantel and center it in the opening.

Check the alignment and attach the unit to the mantel by inserting screws through the drilled holes on the trim to the mantel.

NOTE: Do not attempt to install the unit from the front of the mantel. It will not fit.