

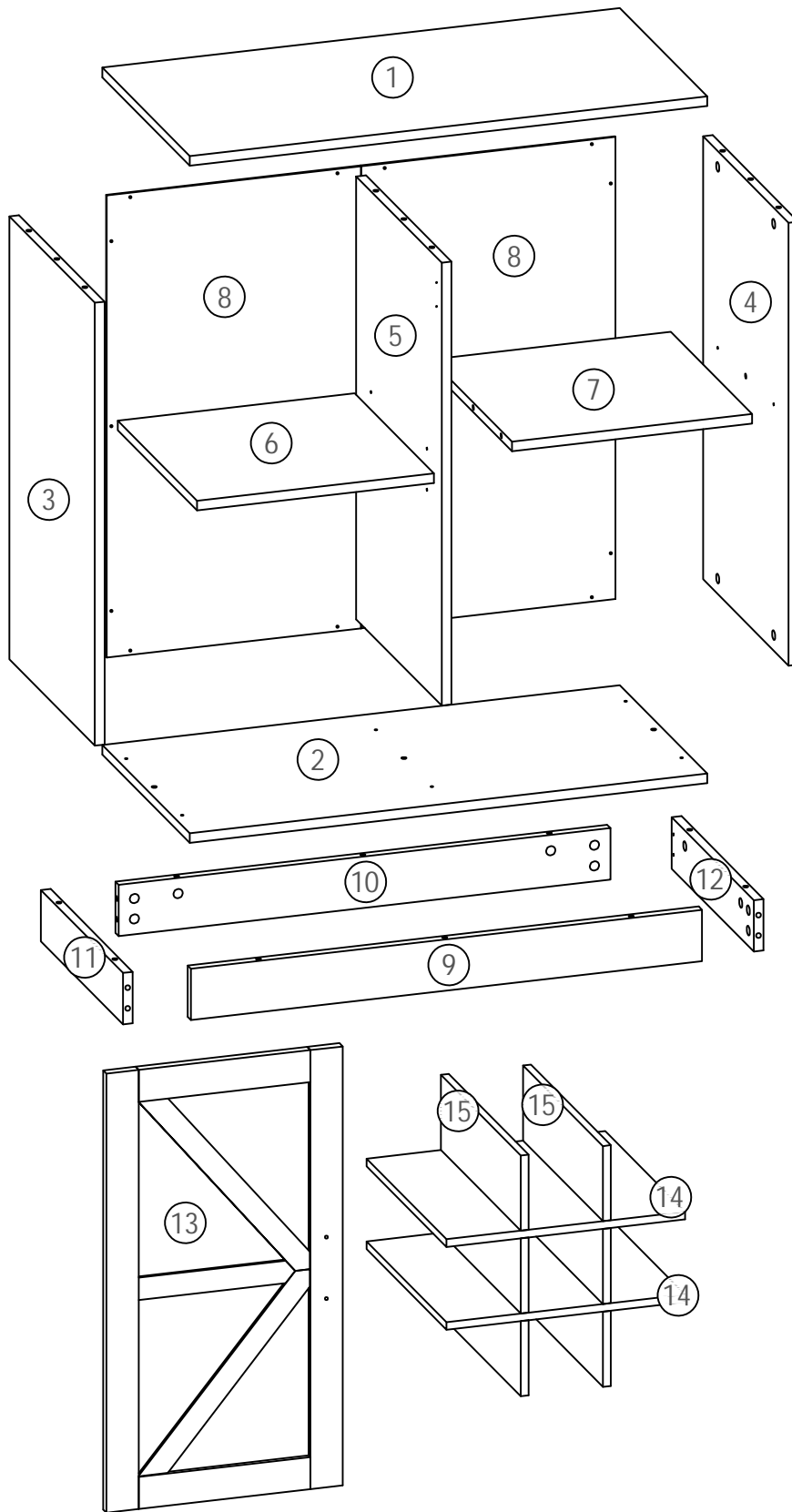
Barn Door Wine Cabinet

Item#:YS-001

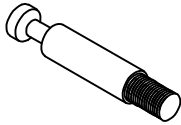
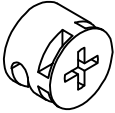
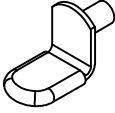
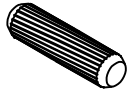
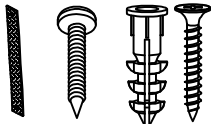

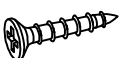
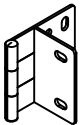
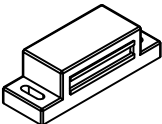

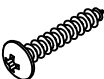


Assembly Instructions

NOTE: This instruction manual contains **IMPORTANT** safety information.
Please read carefully before assembling the product

List of Parts

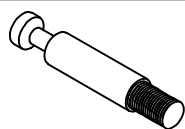


List of Hareware

| No. | Hare ware | Quanti ty |
|-----|---|-----------|
| A |  | 32 |
| B |  | 32 |
| C |  | 4 |
| D |  | 10 |
| E |  | 2 |
| F |  | 1 |
| G |  | 14 |
| H |  | 2 |
| I |  | 1 |
| J |  | 2 |
| K |  | 17 |
| L |  | 2 |
| M |  | 1 |

STEP 1

A

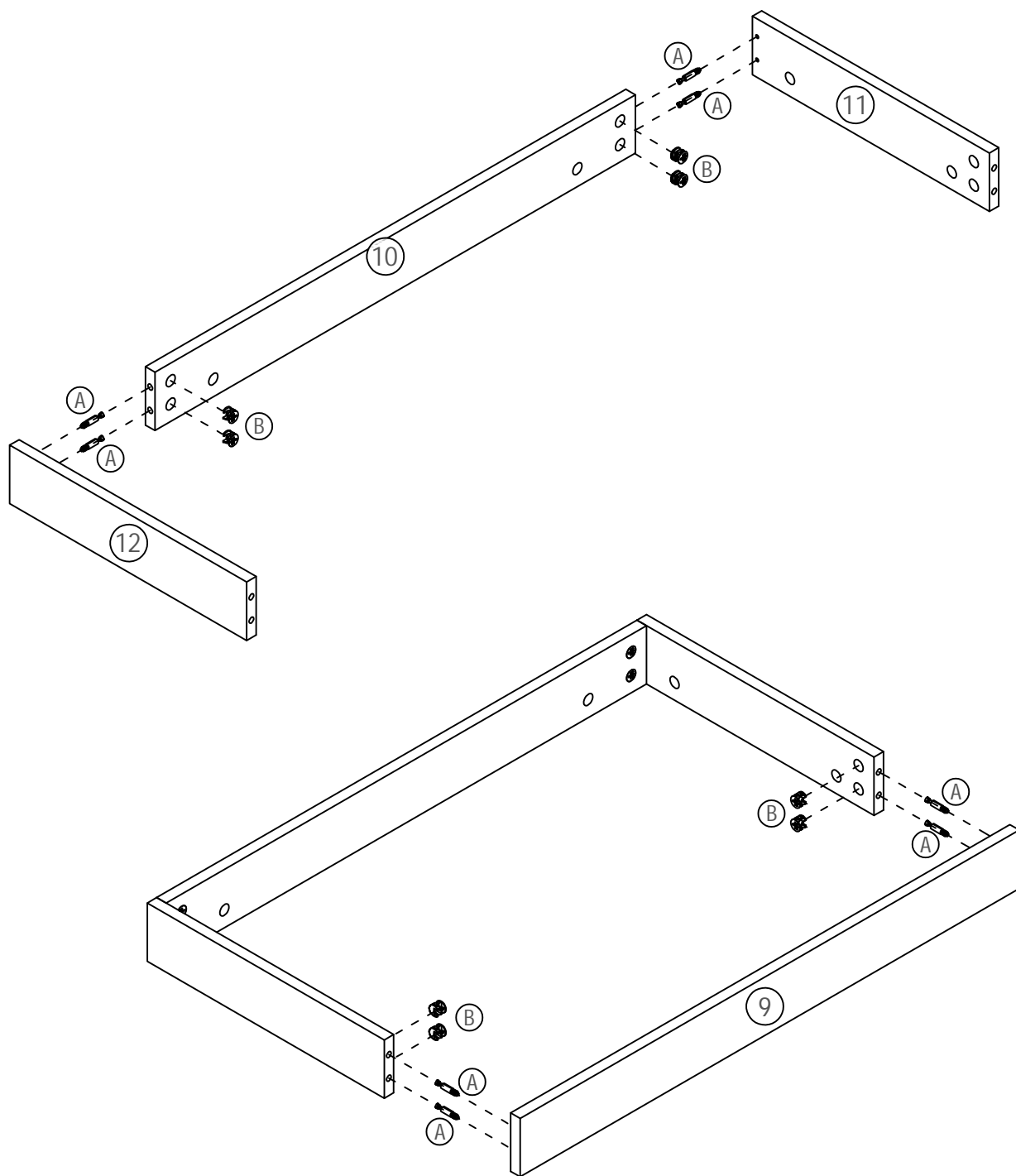


8 PCS

B

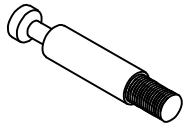


8 PCS



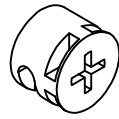
STEP2

A



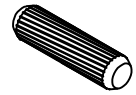
8 PCS

B

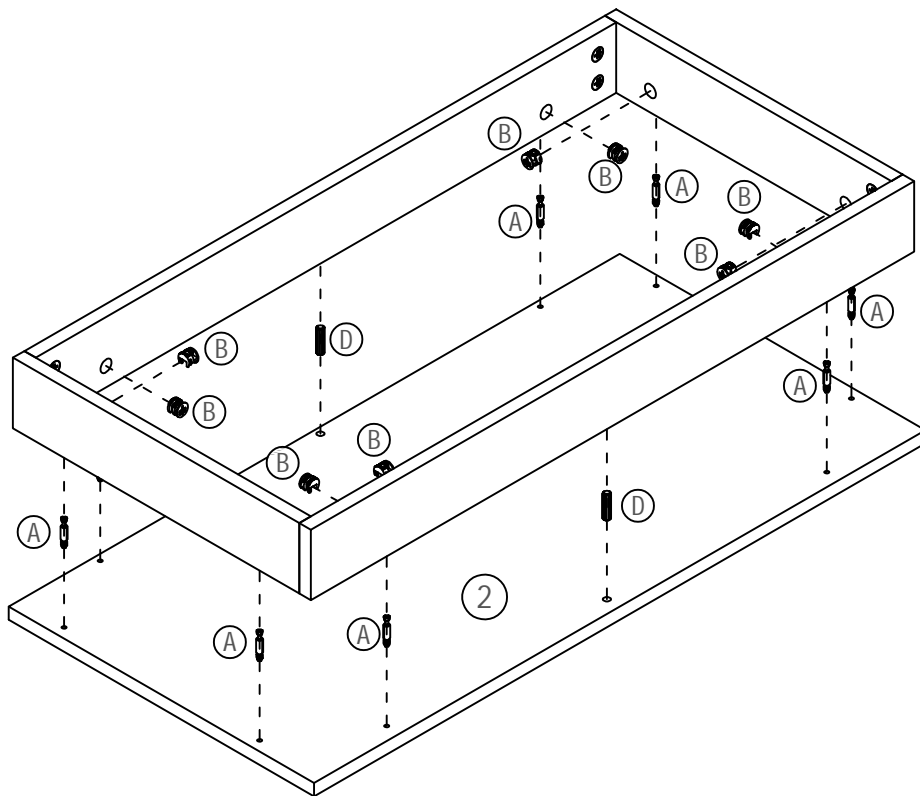


8 PCS

D

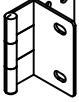


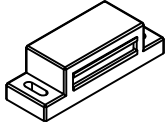
2 PCS




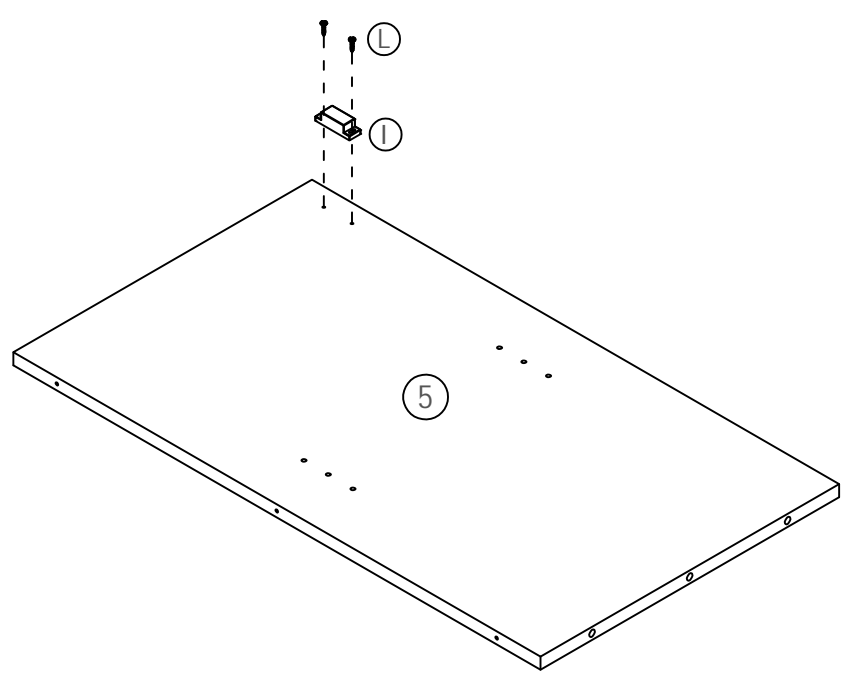
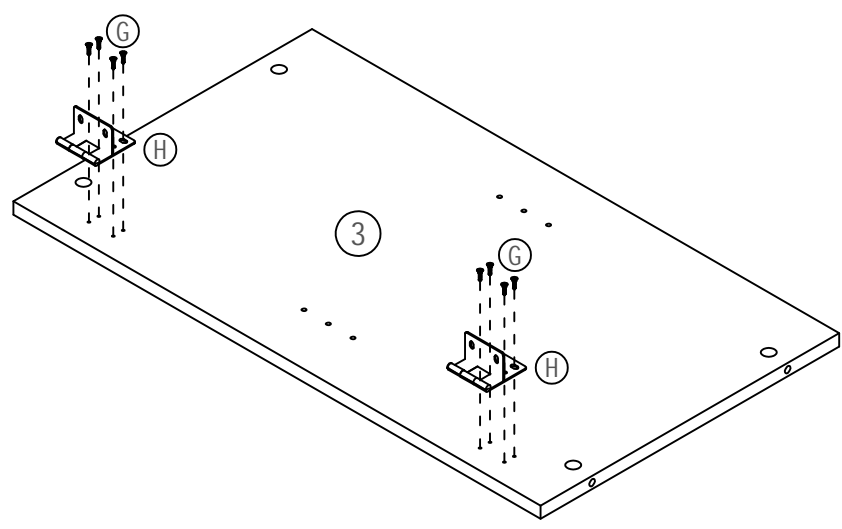
STEP3

(G)  8 PCS

(H)  2 PCS

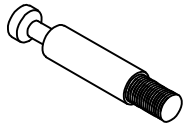
(I)  1 PCS

(L)  2 PCS



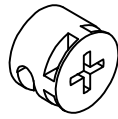
STEP4

A



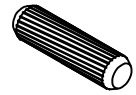
4 PCS

B

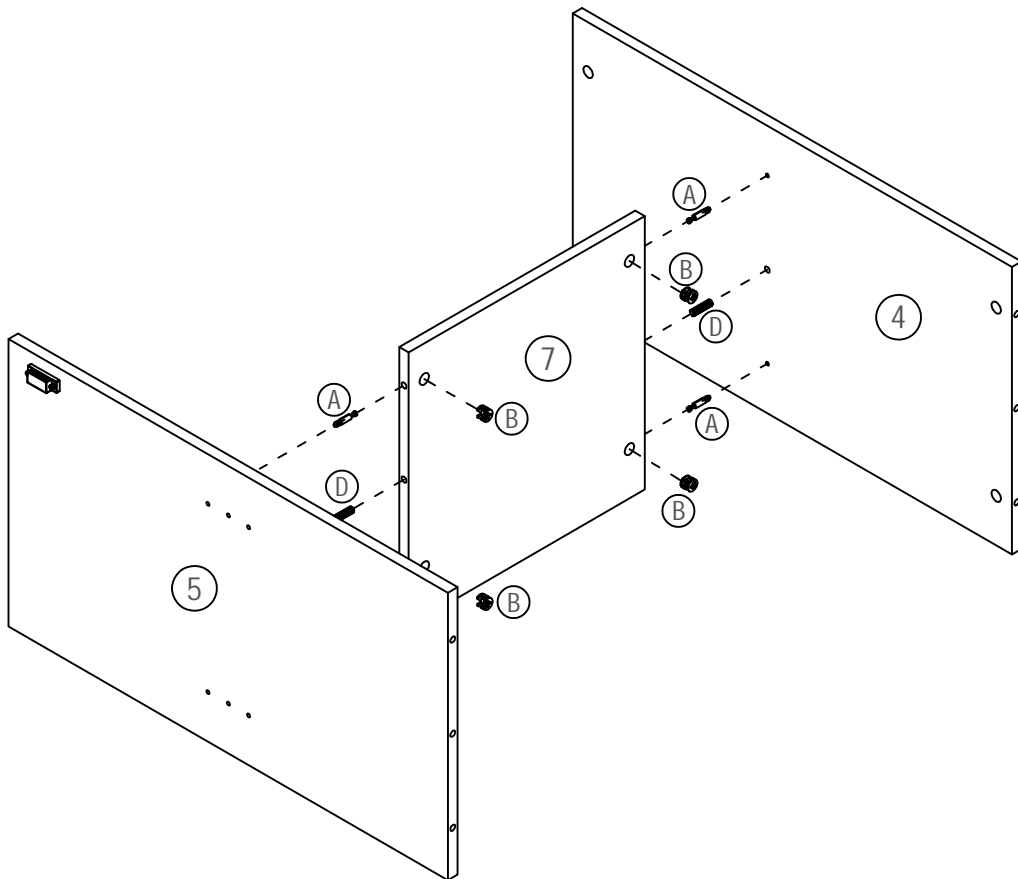


4 PCS

D

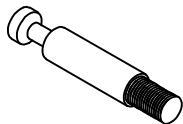


2 PCS



STEP5

A



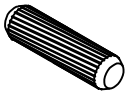
6 PCS

B

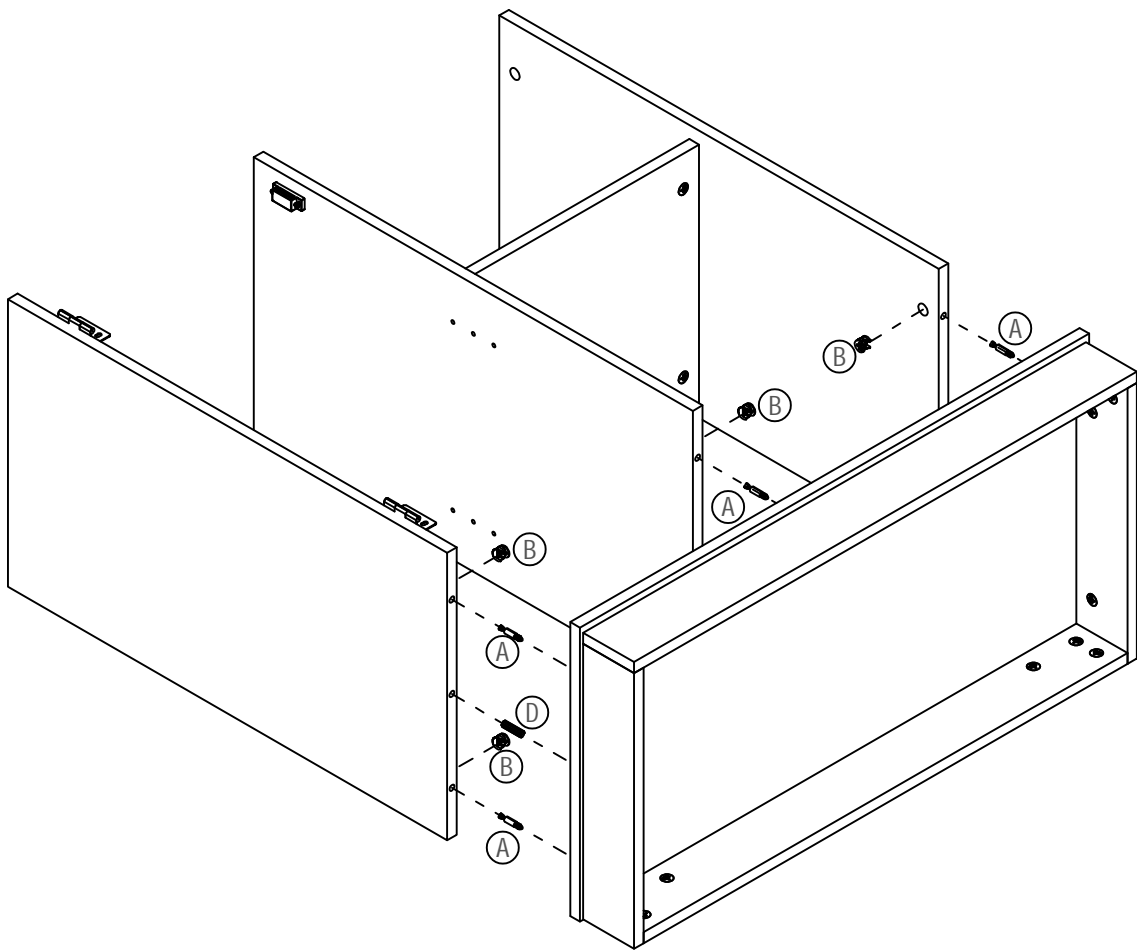


6 PCS

D

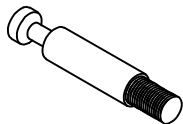


3 PCS



STEP6

A



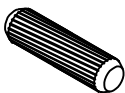
6 PCS

B

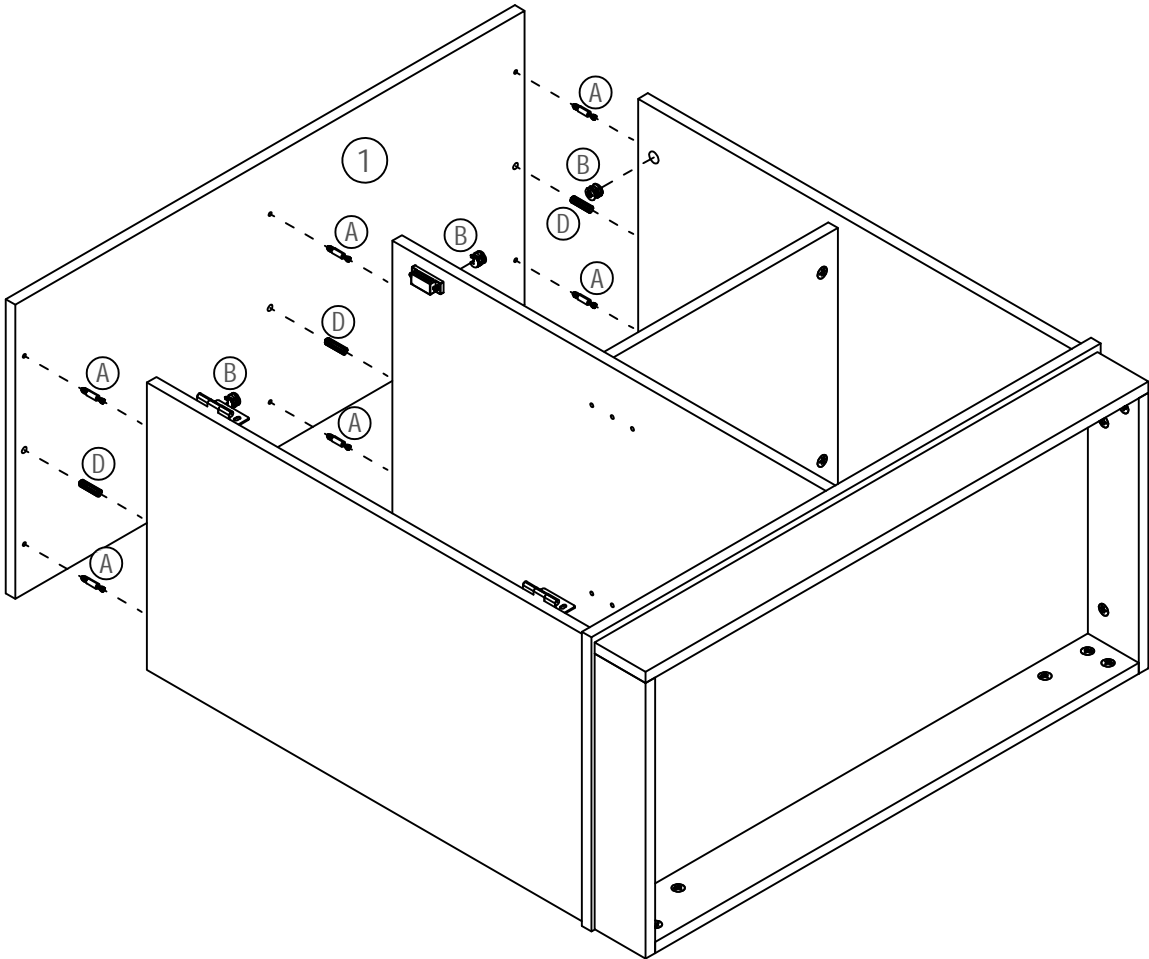


6 PCS

D

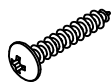


3 PCS

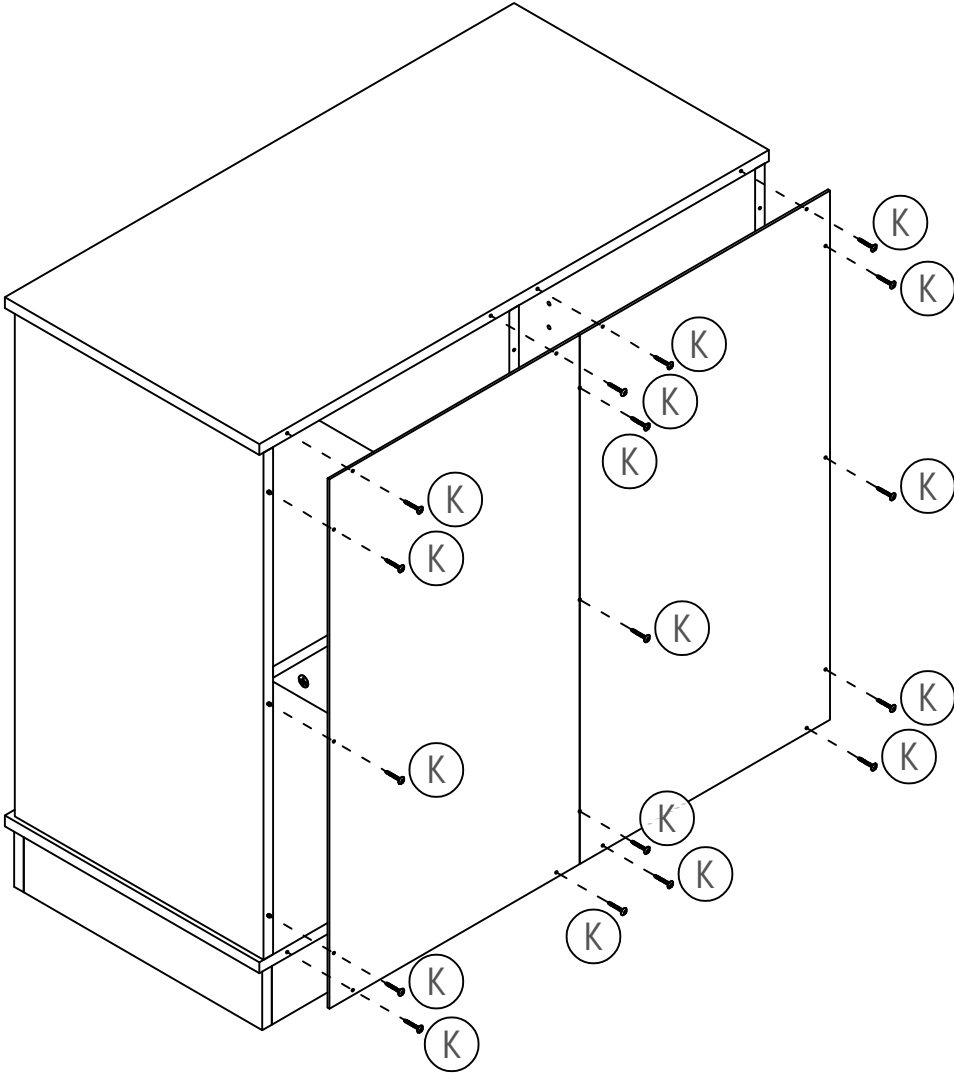


STEP 7

(K)

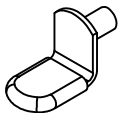


17 PCS

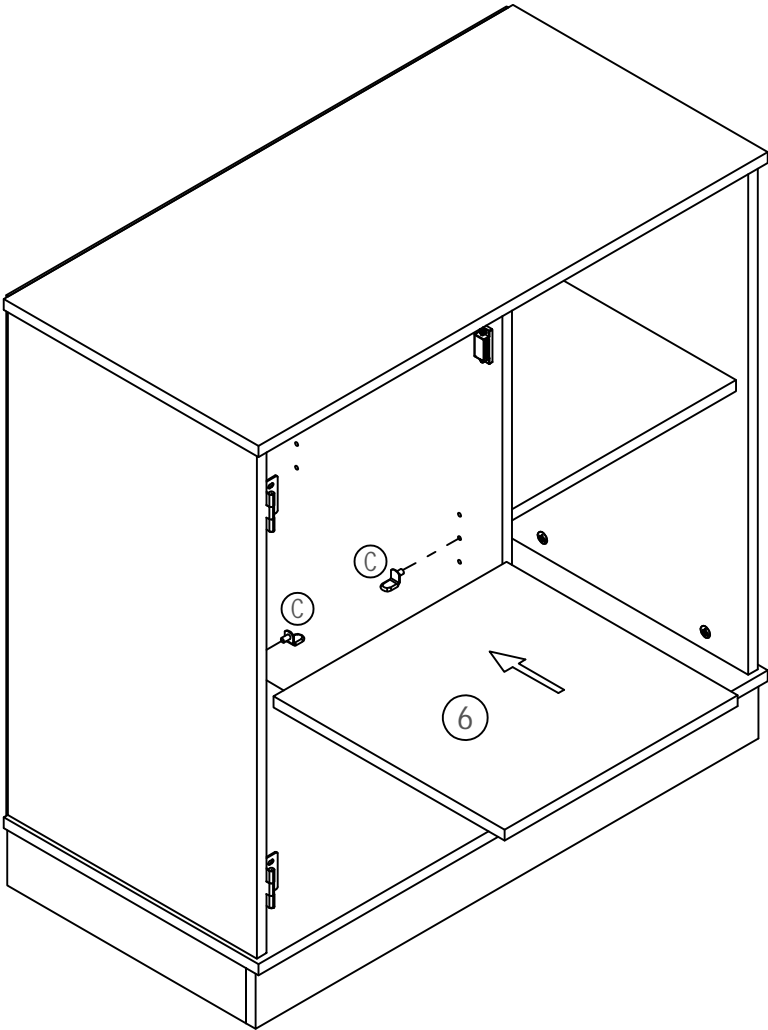


STEP8

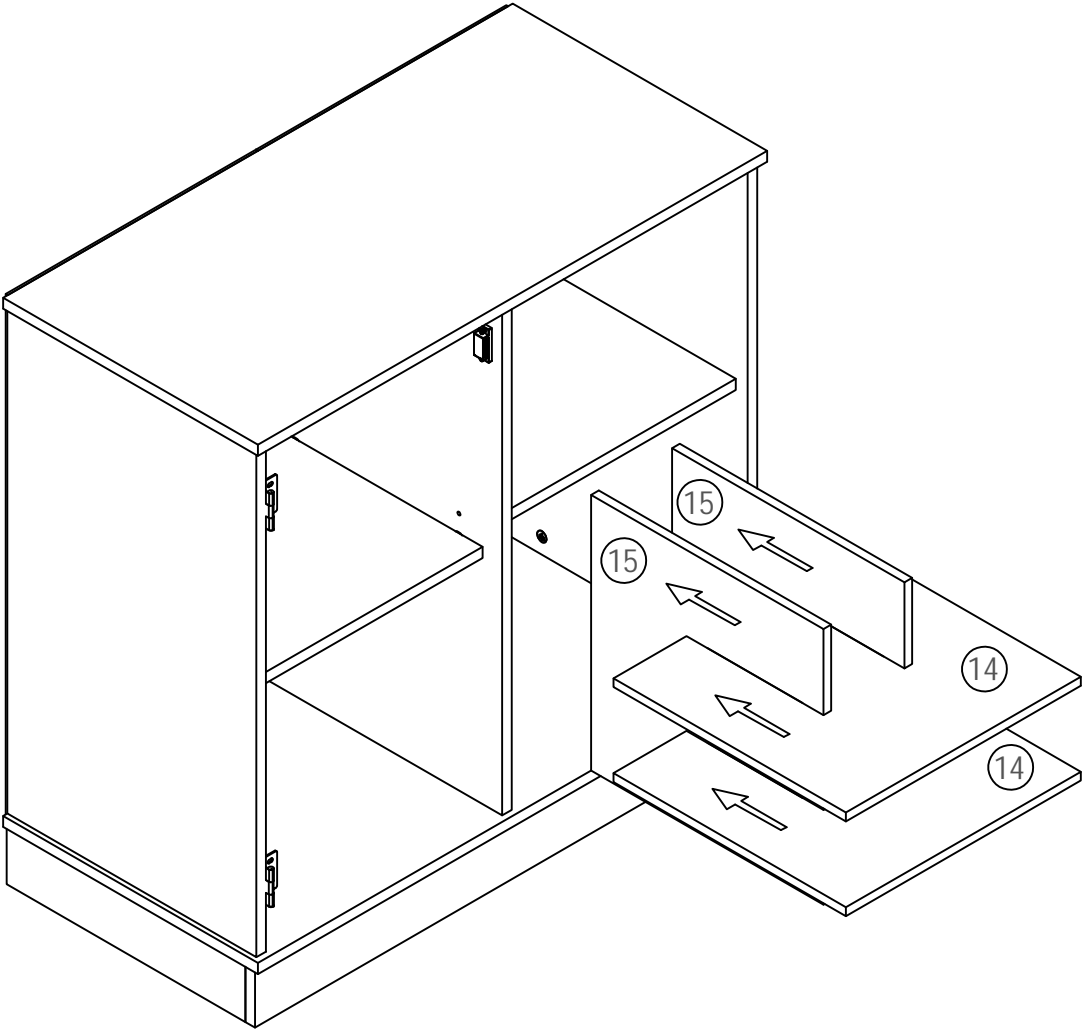
(C)



4 PCS

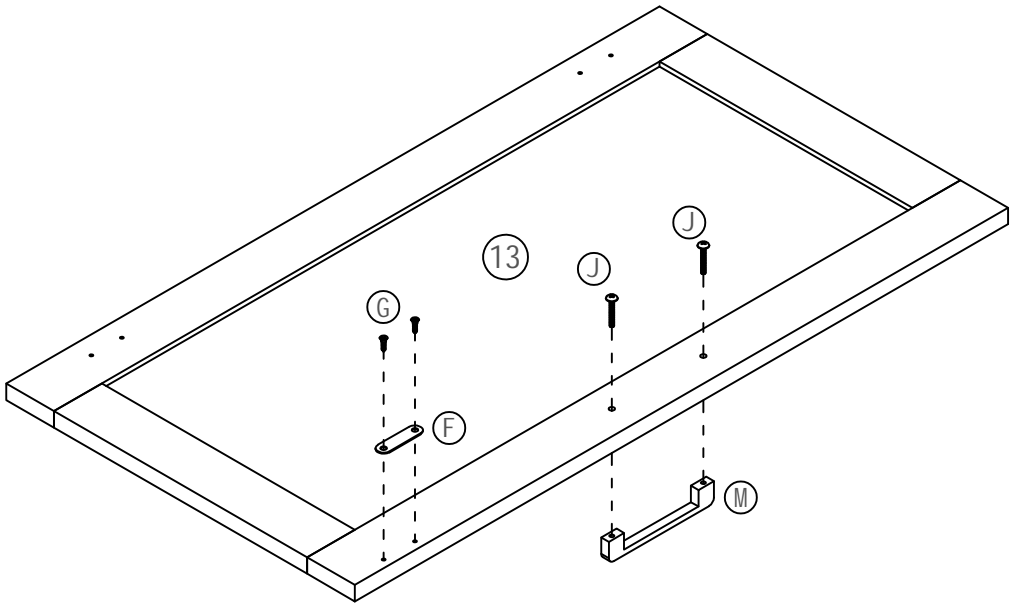


STEP 9



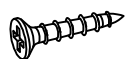
STEP10

| | | |
|---------|---------|---------|
| ⓐ 2 PCS | ⓑ 1 PCS | Ⓙ 2 PCS |
| ⓓ 1 PCS | | |

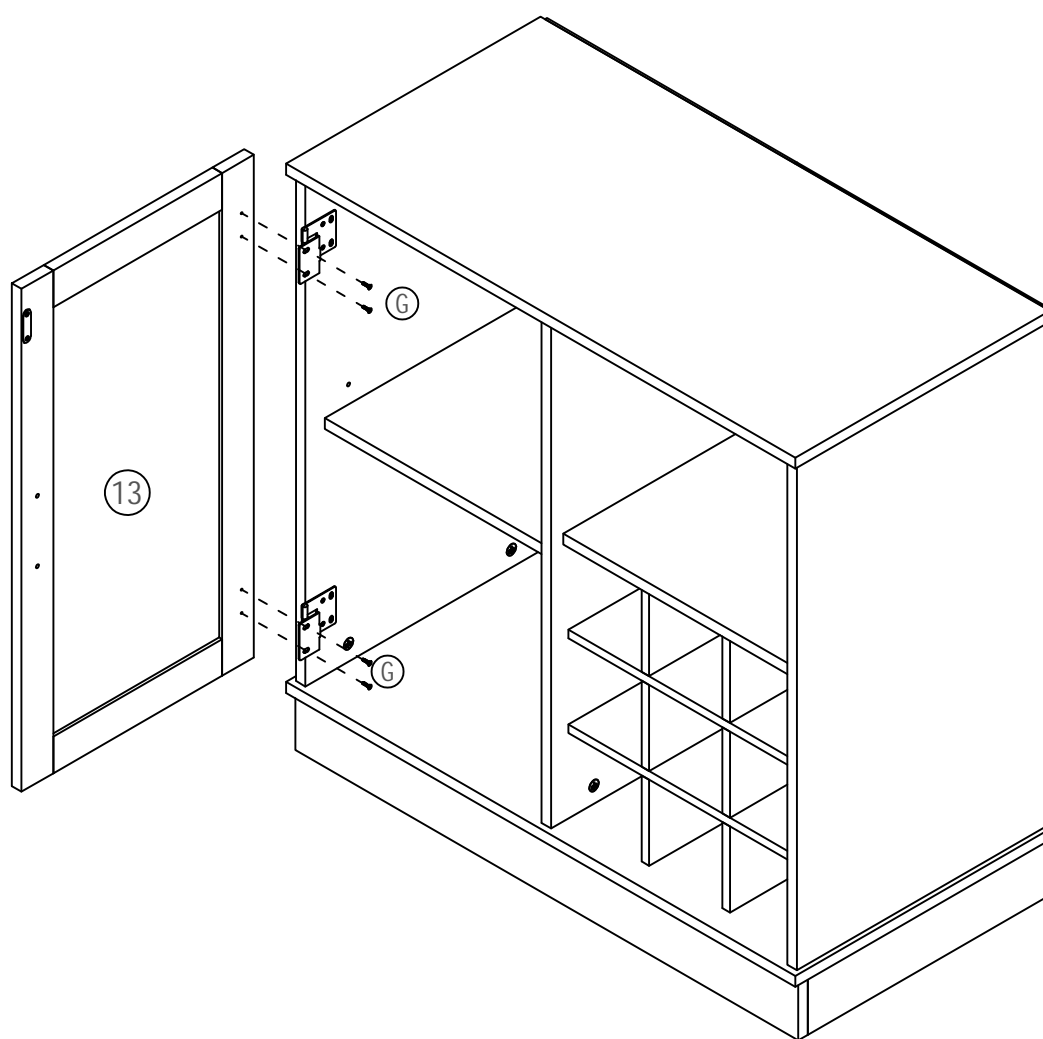


STEP11

G



4 PCS



STEP 12

