

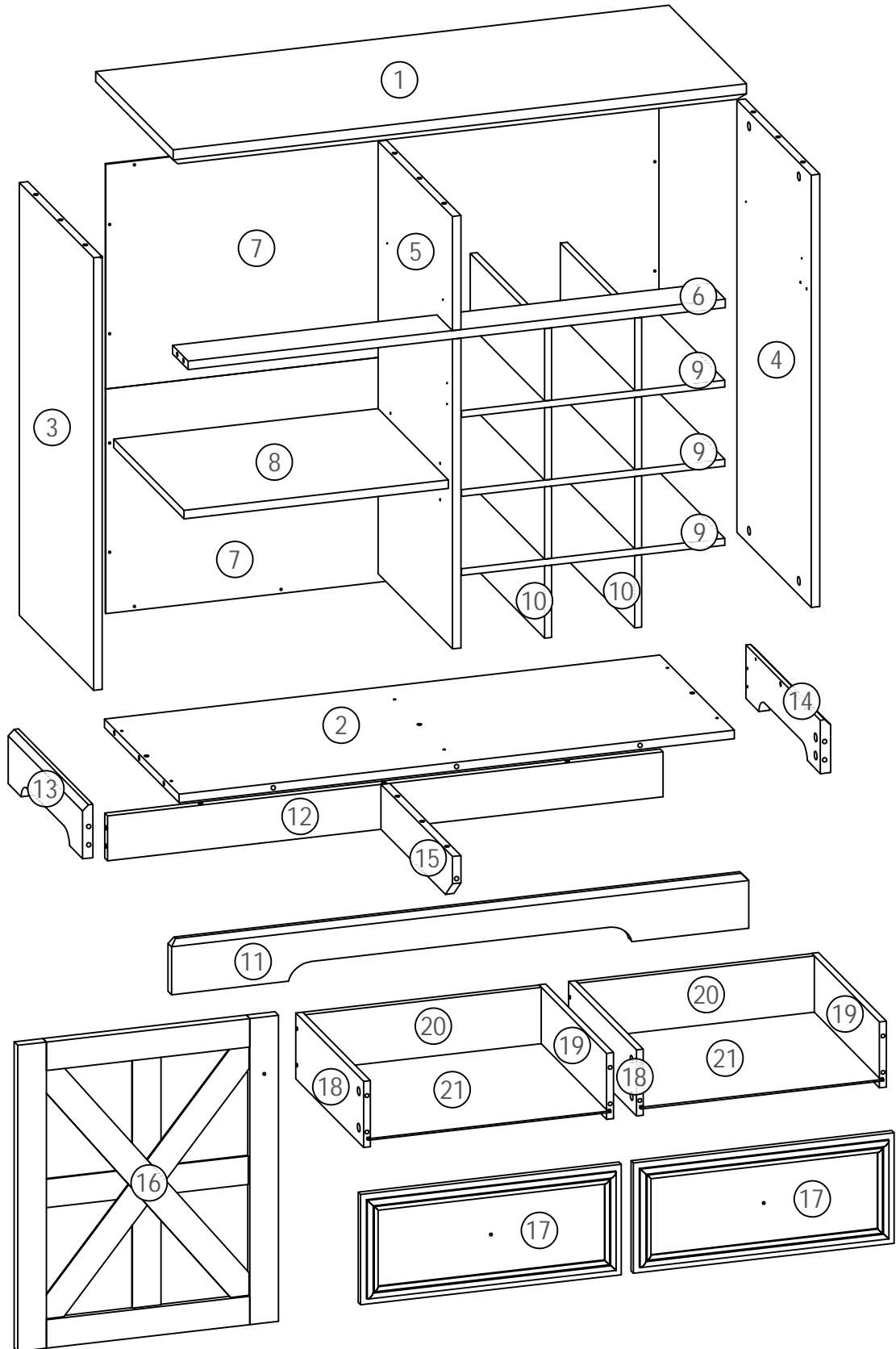
Buffet Cabinet with 2 Drawers

Item#:YS-002

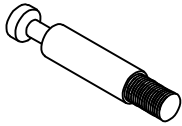
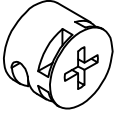

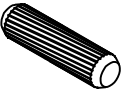
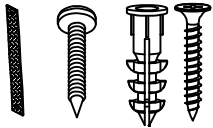
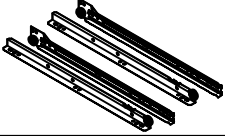
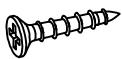

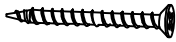

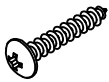
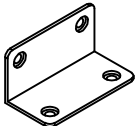
Assembly Instructions

NOTE: This instruction manual contains **IMPORTANT** safety information.
Please read carefully before assembling the product

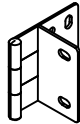
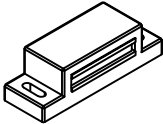


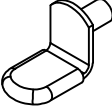
List of Parts



List of Hareware

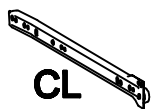
No.	Hare ware	Quantity
(A)		46
(B)	 Ø15x9MM	38
(C)	 Ø12 x9MM	8
(D)	 Ø8x30MM	8
(E)		2
(F)	 14"	8
(G)	 Ø3.0x12MM	46+1
(H)		3
(I)	 Ø3.5x35MM	8
(J)	 M4x22MM	3
(K)	 Ø3.5x12MM	20
(L)		2

List of Hareware

No.	Hare ware	Quantity
M		2
N		1
O	 Ø3x14MM	2
P		1
Q		4

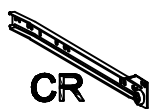
STEP1

(F)



1 PCS

(F)



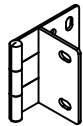
1 PCS

(G)

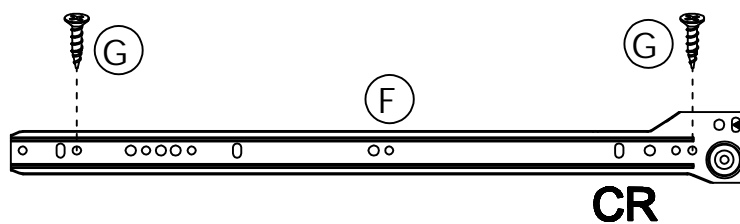
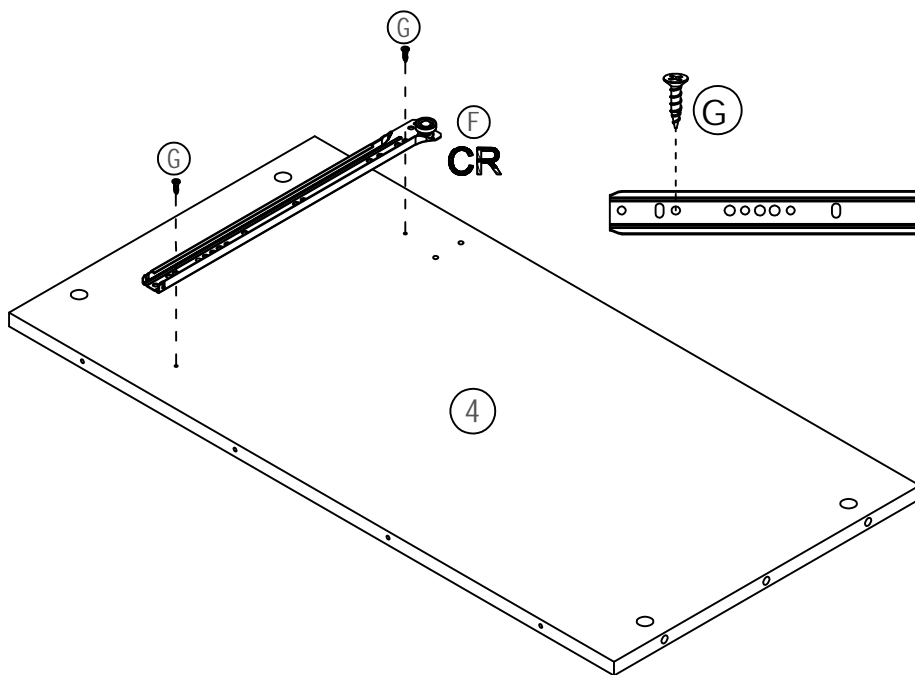
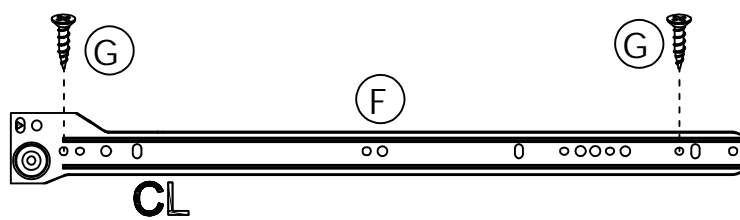
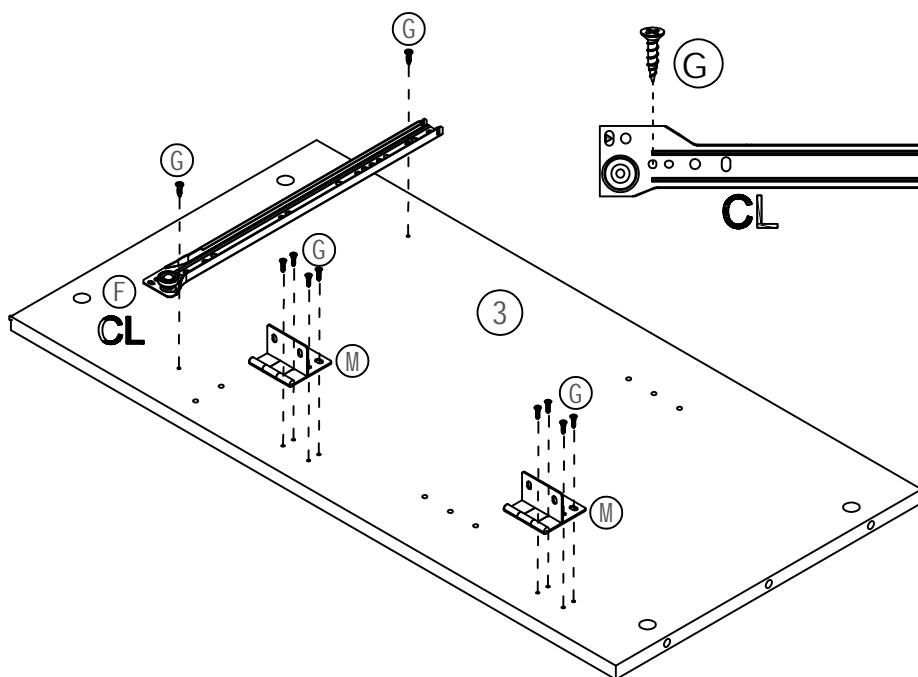


12 PCS

(M)

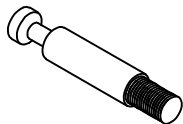


2 PCS



STEP2

A

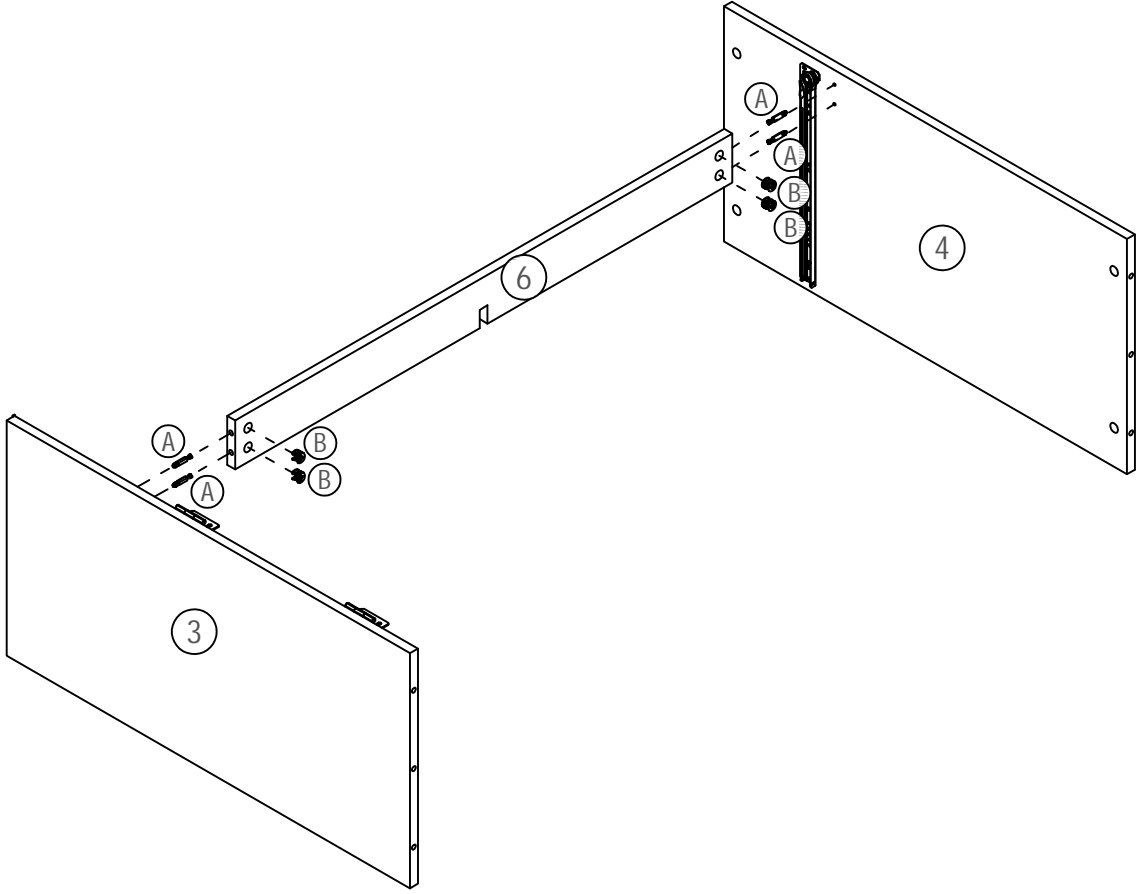


4 PCS



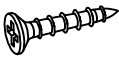
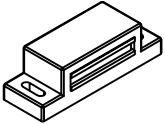

B

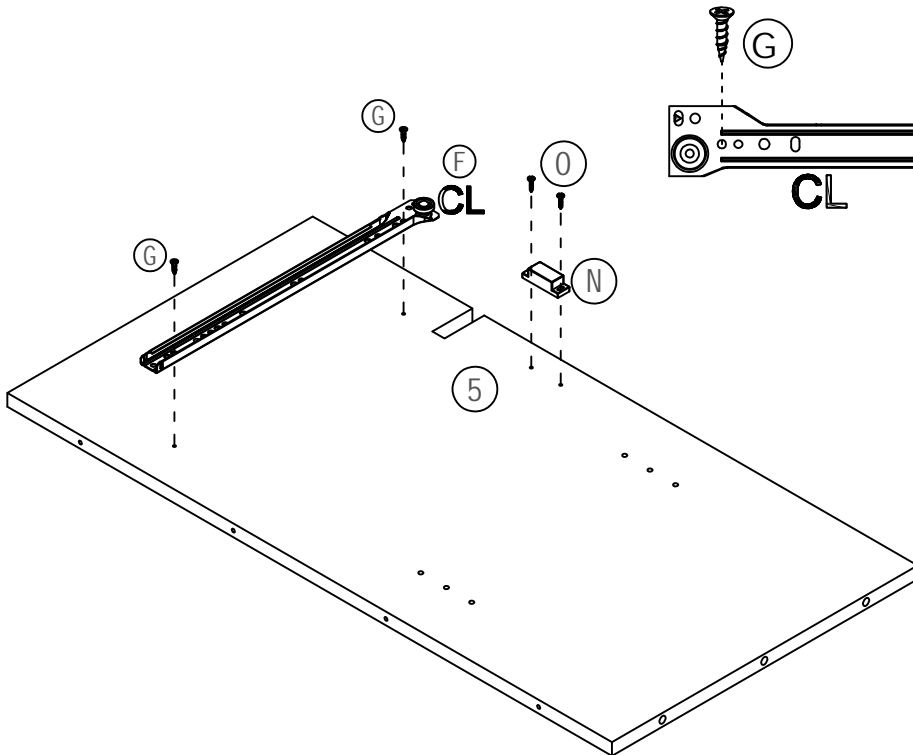
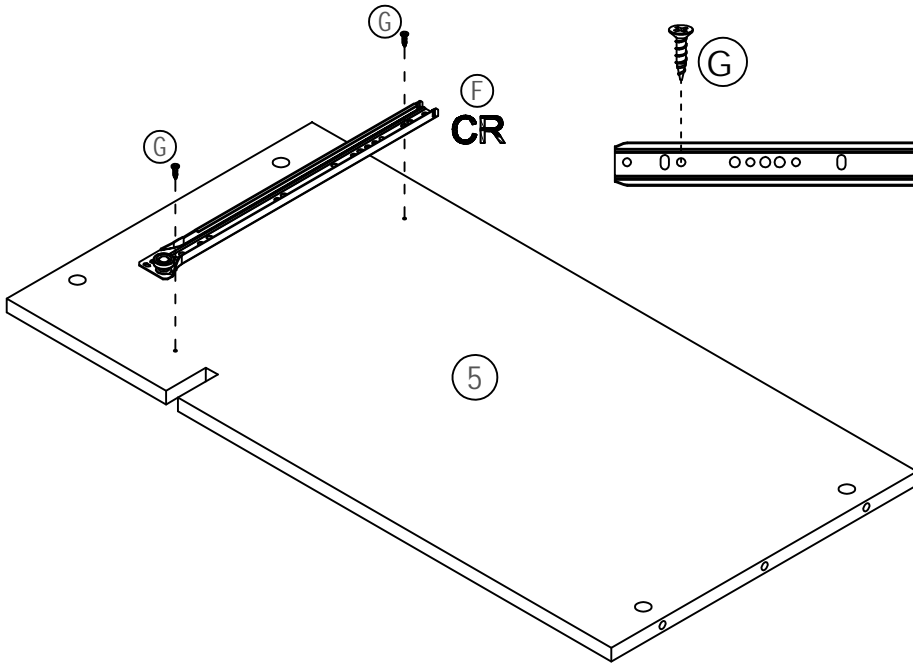


4 PCS



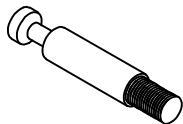
STEP3

<p>(F)  1 PCS</p>	<p>(F)  1 PCS</p>	<p>(G)  4 PCS</p>
<p>(N)  1 PCS</p>	<p>(O)  2 PCS</p>	



STEP4

A

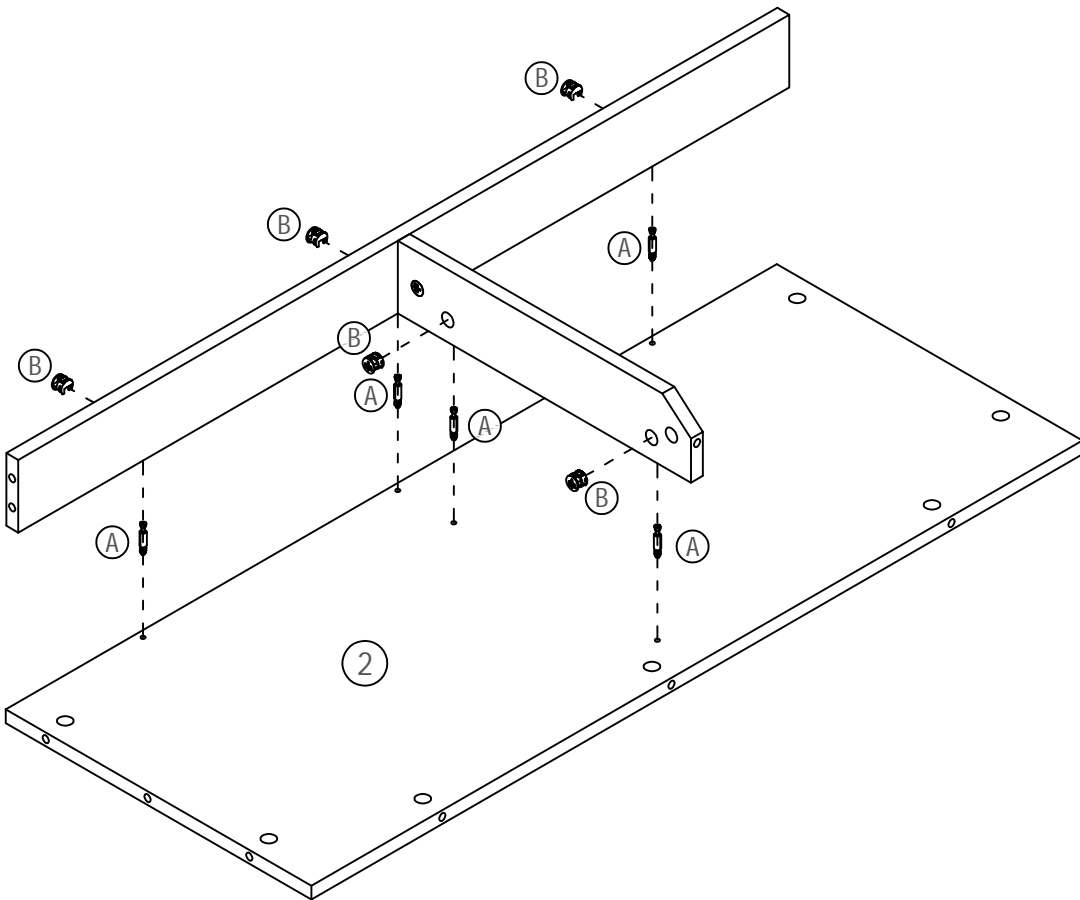
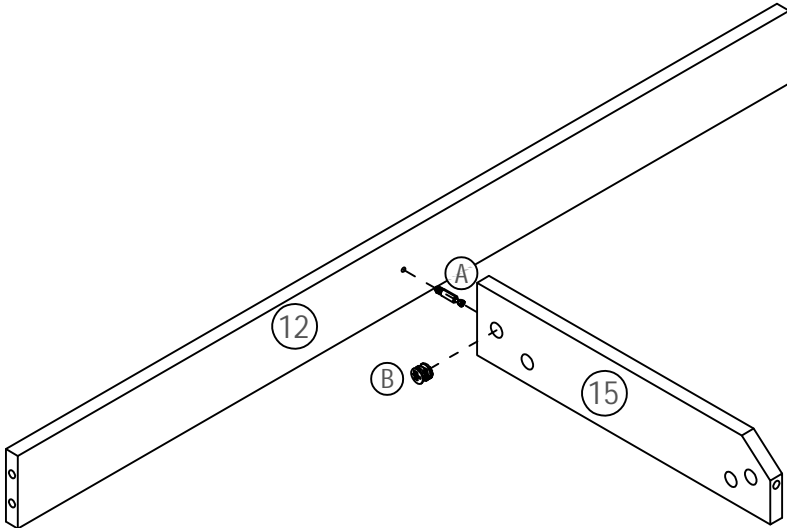


6 PCS

B

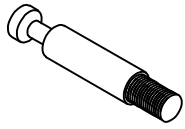


6 PCS



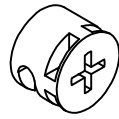
STEP5

(A)



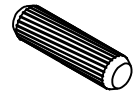
16 PCS

(B)

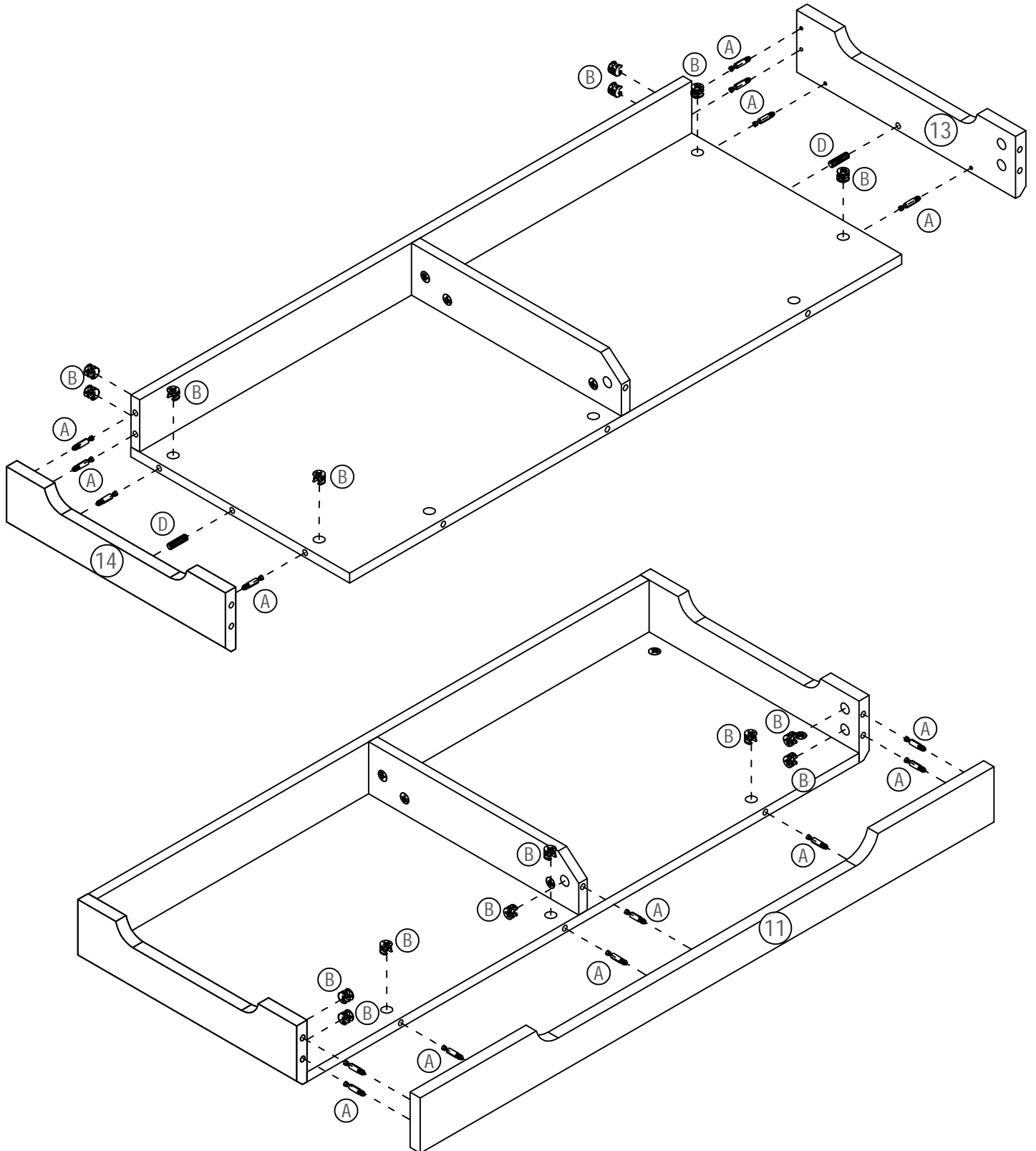


16 PCS

(D)

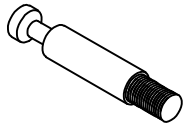


2 PCS



STEP6

A



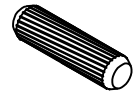
6 PCS

B



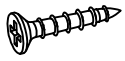
6 PCS

D



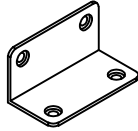
3 PCS

G

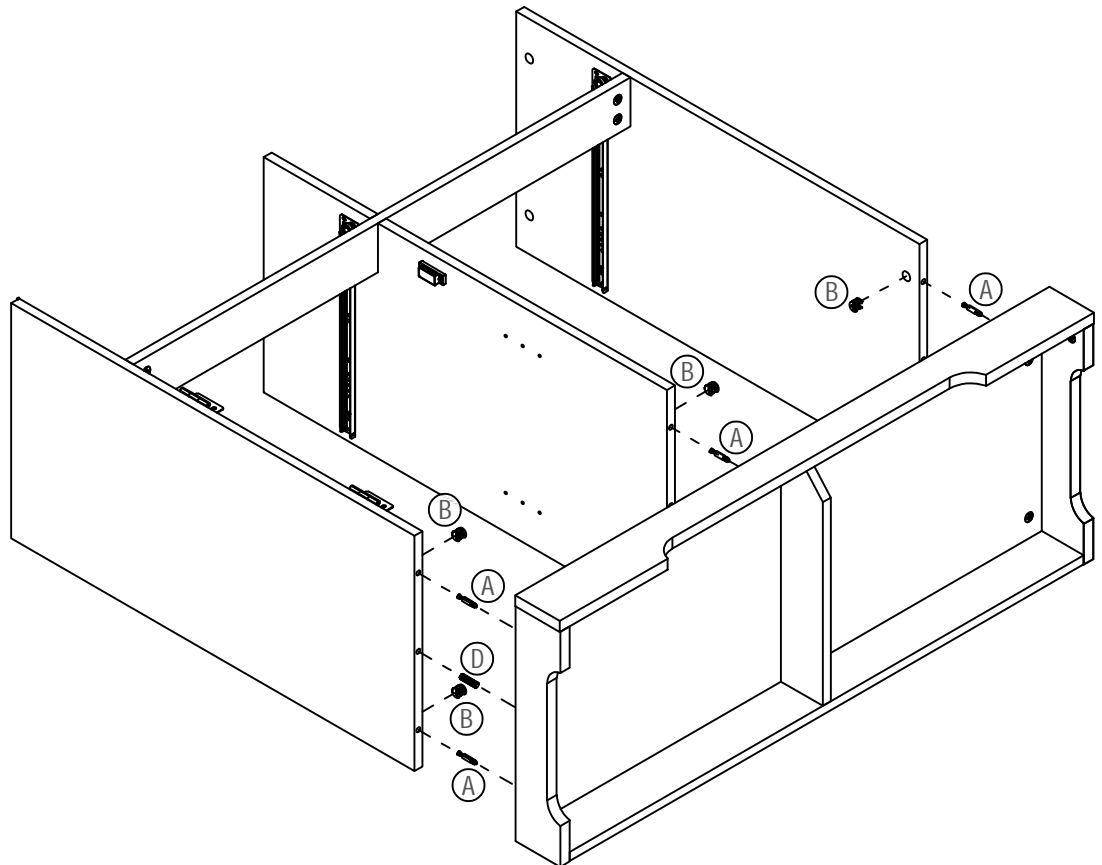
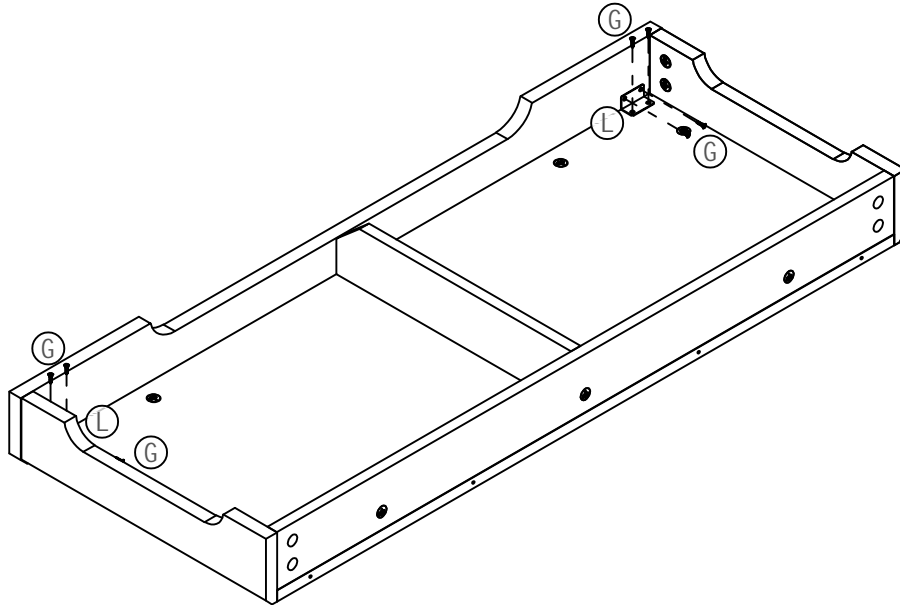


8 PCS

L

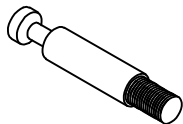


2 PCS



STEP 7

A



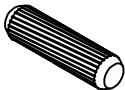
6 PCS

B

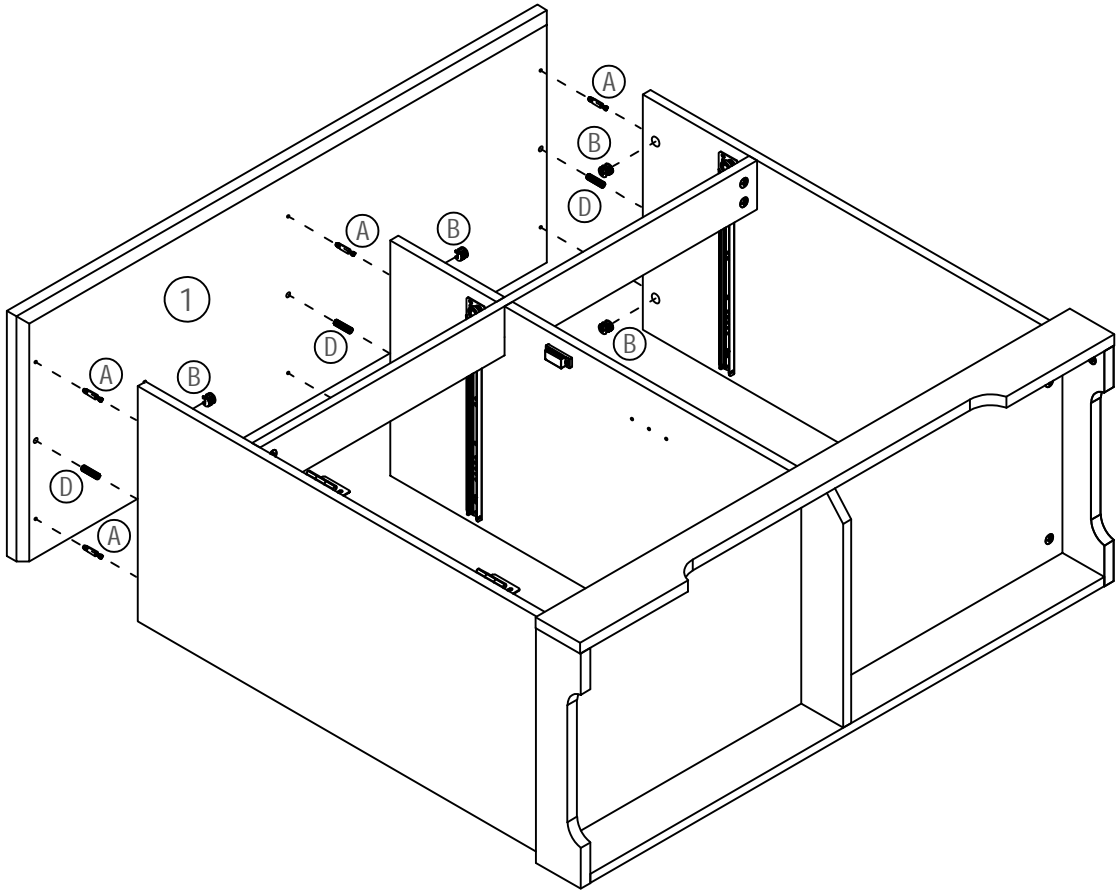


6 PCS

D

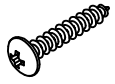


3 PCS

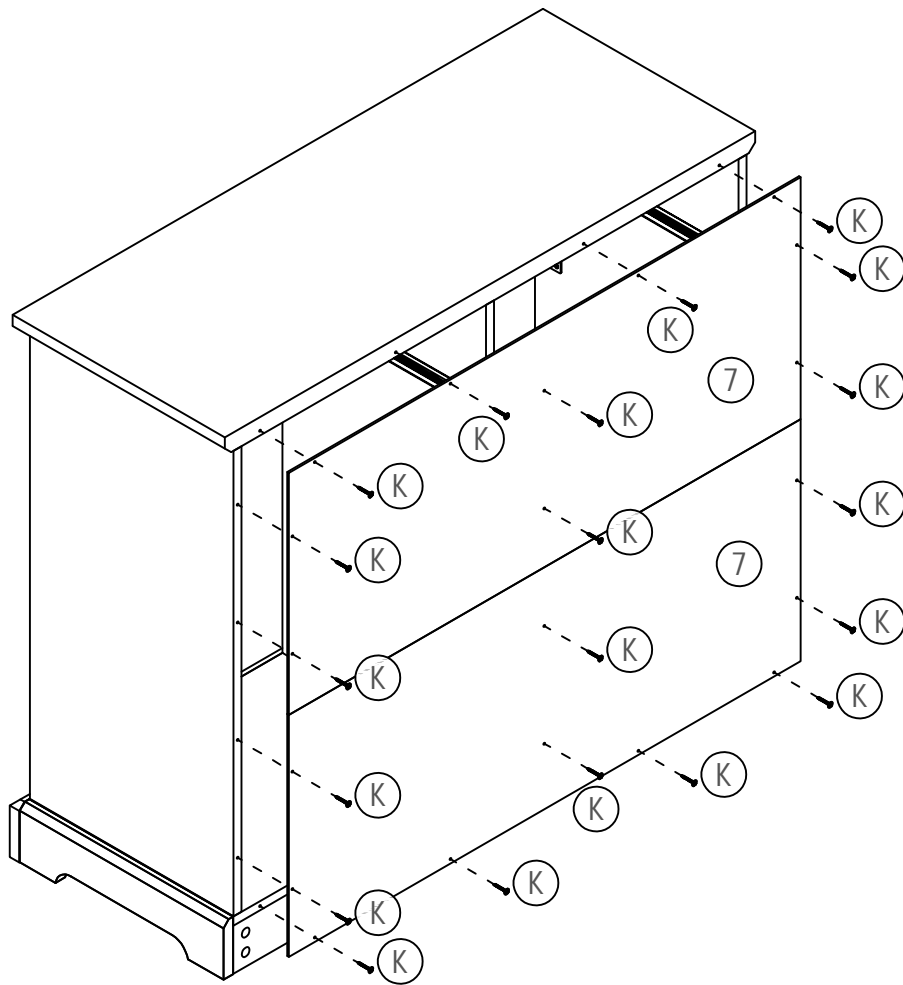


STEP8

K

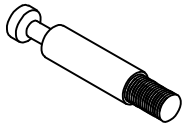


20 PCS



STEP9

A

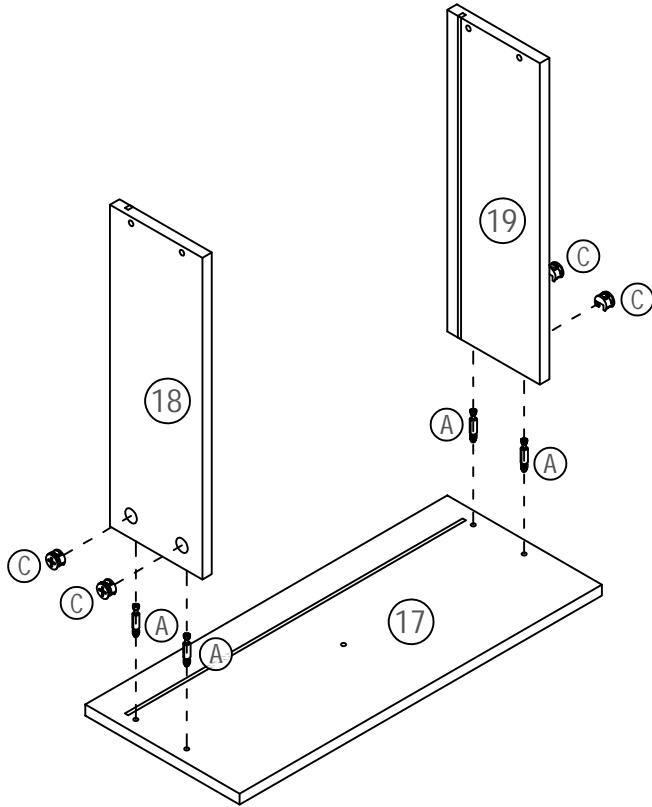


8 PCS

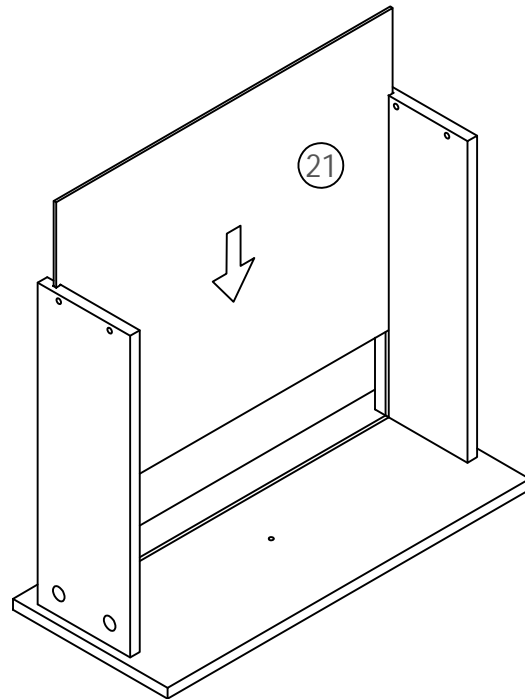
C



8 PCS

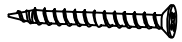


X2



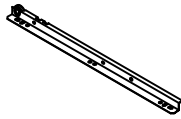
STEP10

I



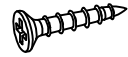
8 PCS

F

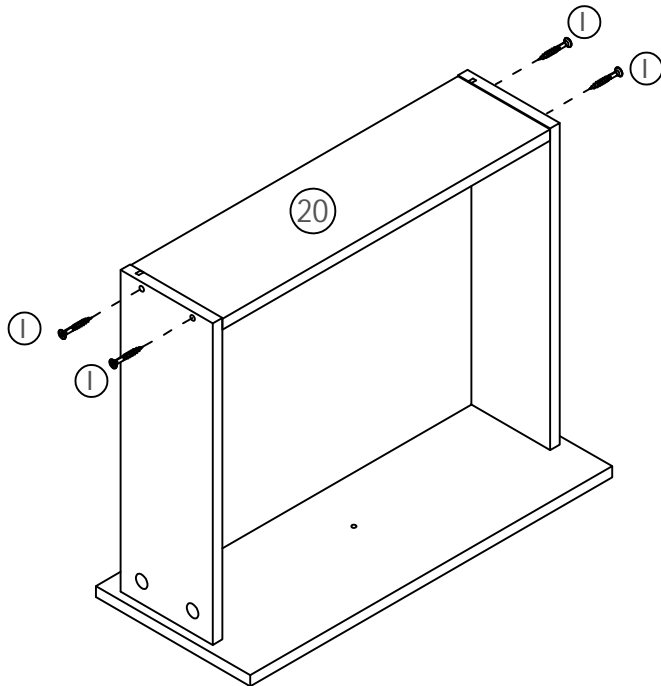


4 PCS

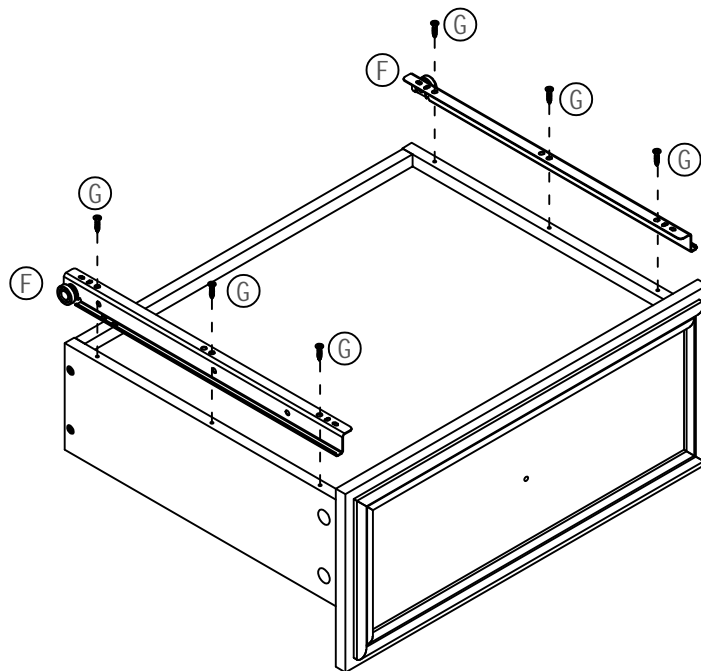
G



12 PCS



X2



STEP11

(H)



3 PCS

(J)



3 PCS

(G)

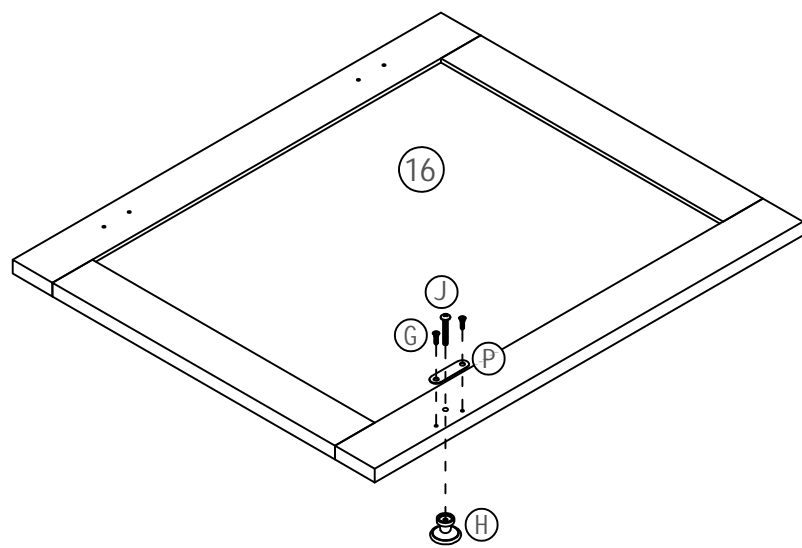
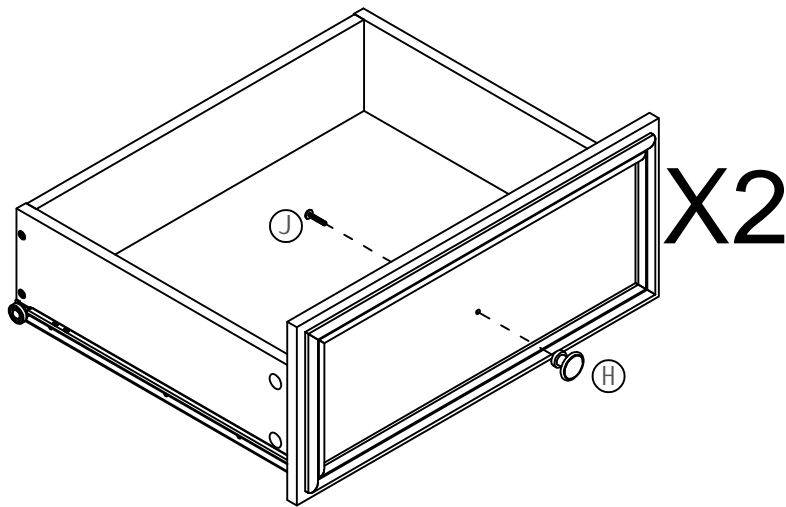


2 PCS

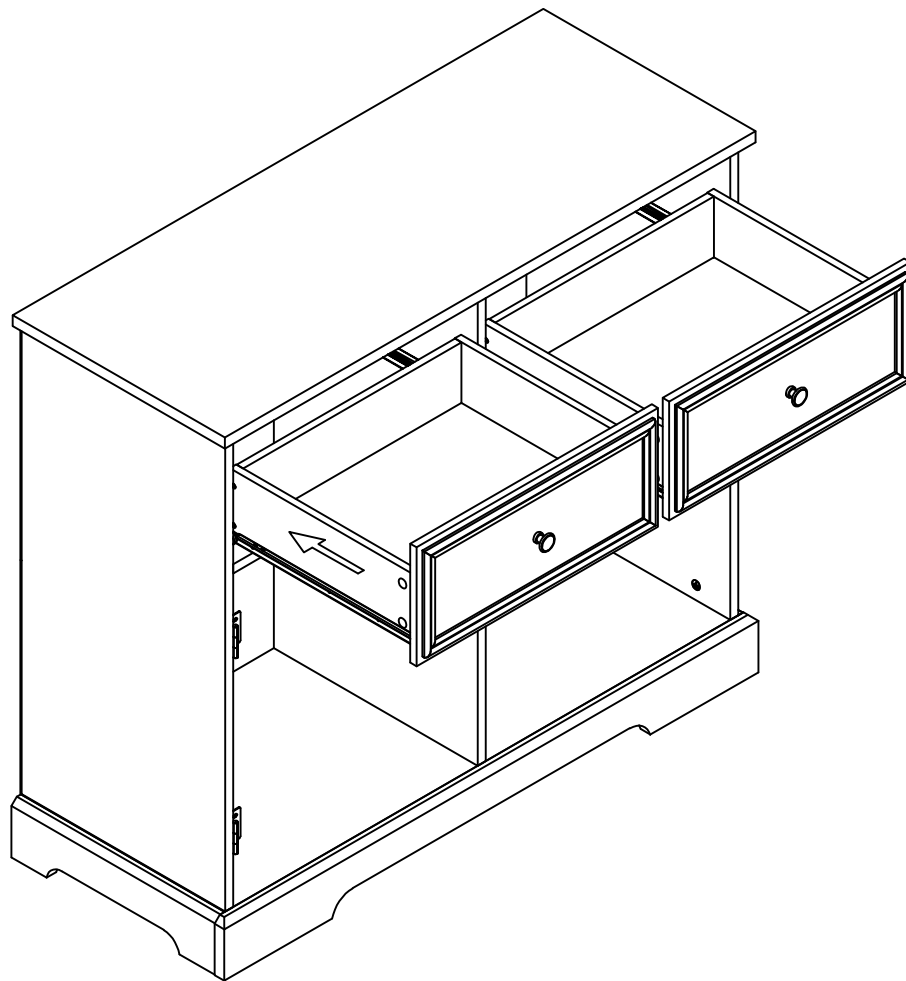
(P)



1 PCS

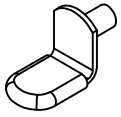


STEP12

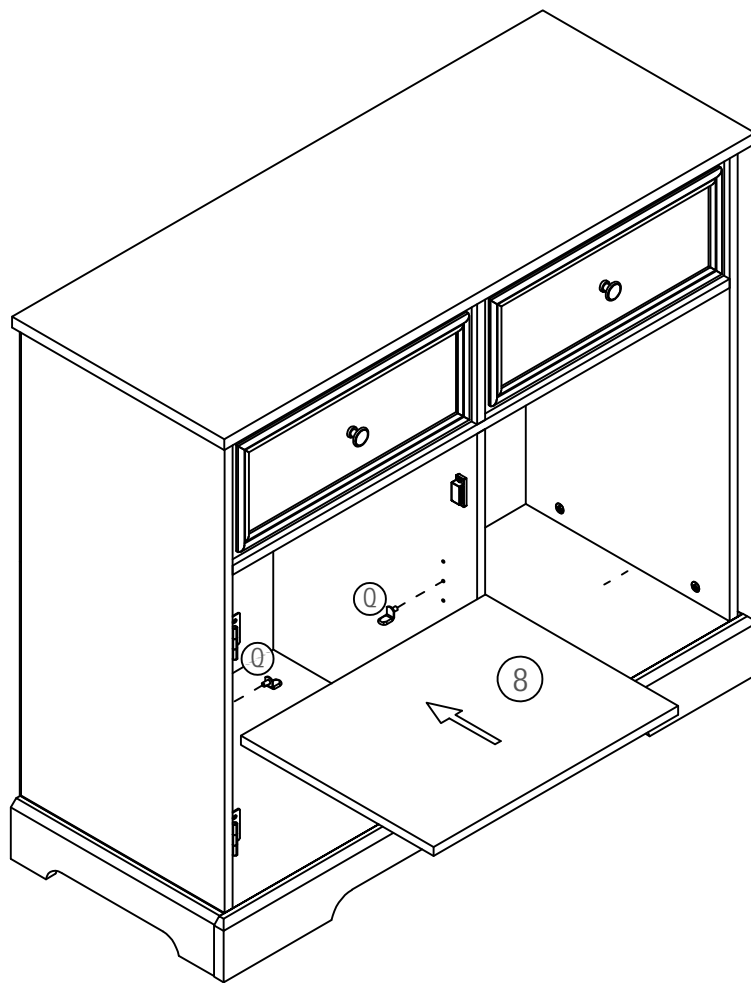


STEP13

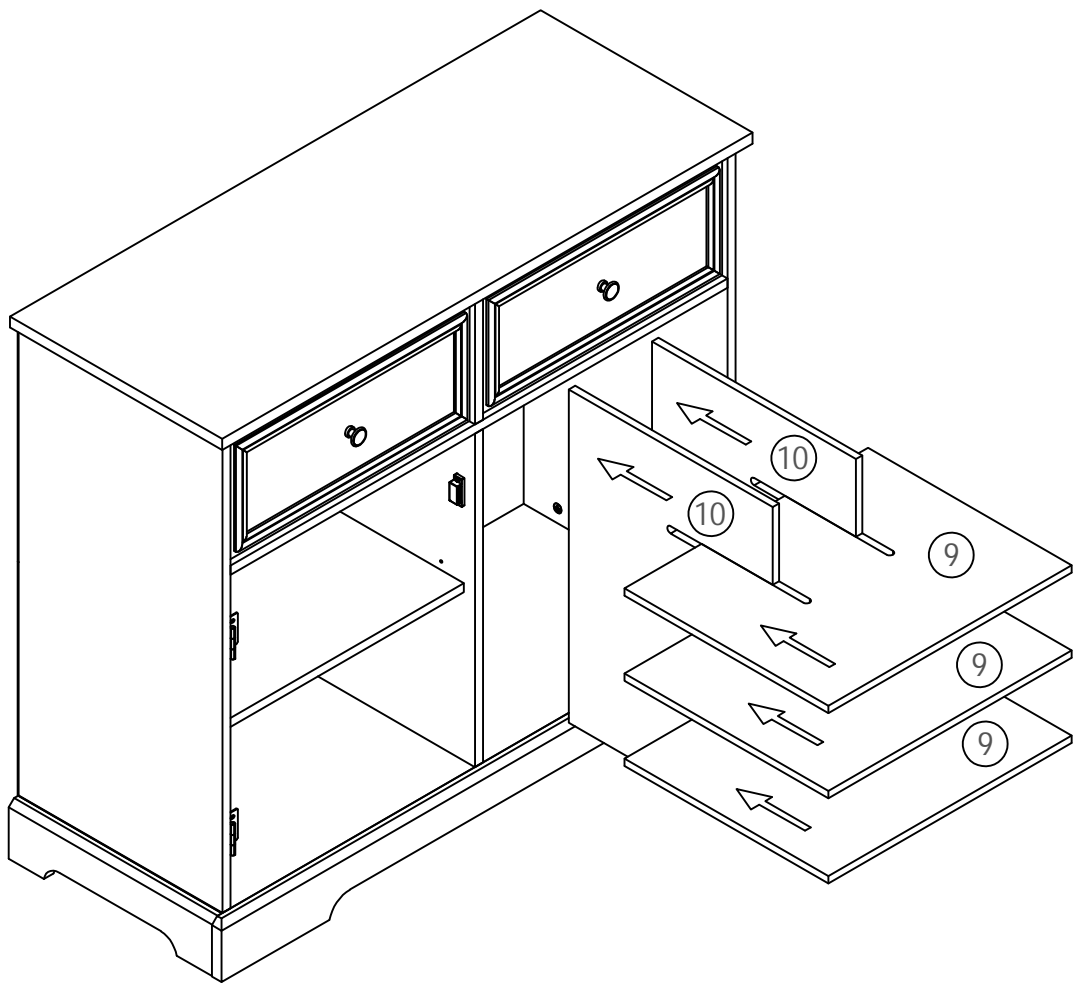
Q



4 PCS

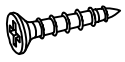


STEP14

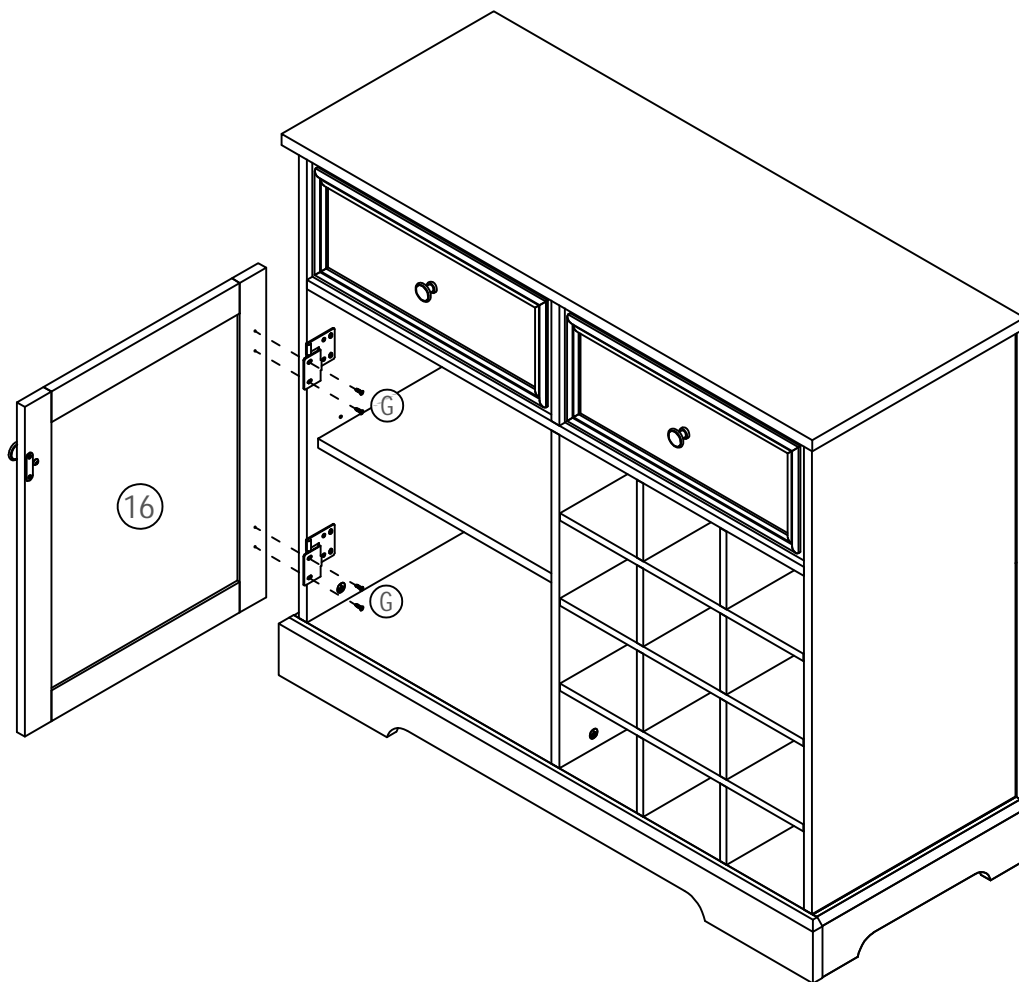


STEP15

G



4 PCS



STEP 16

