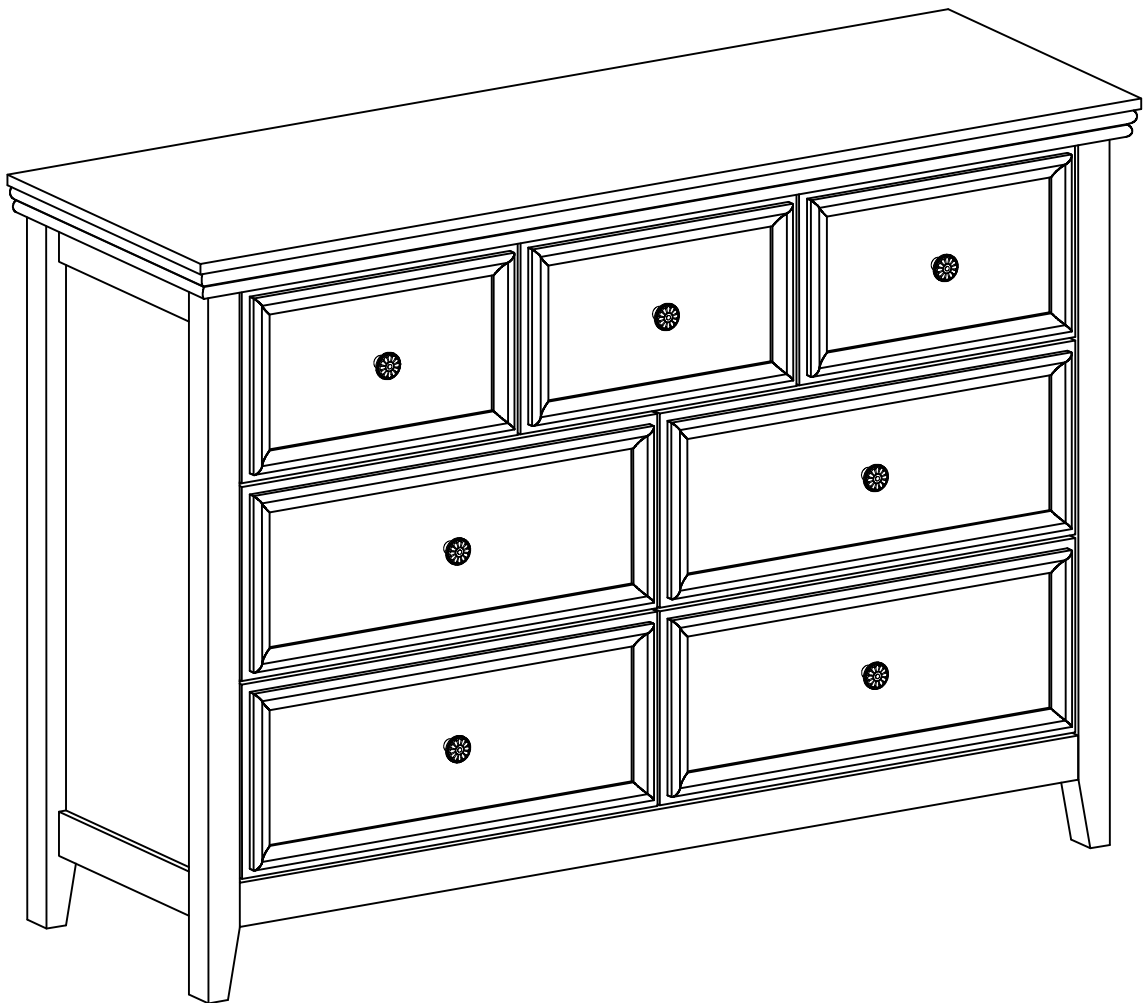


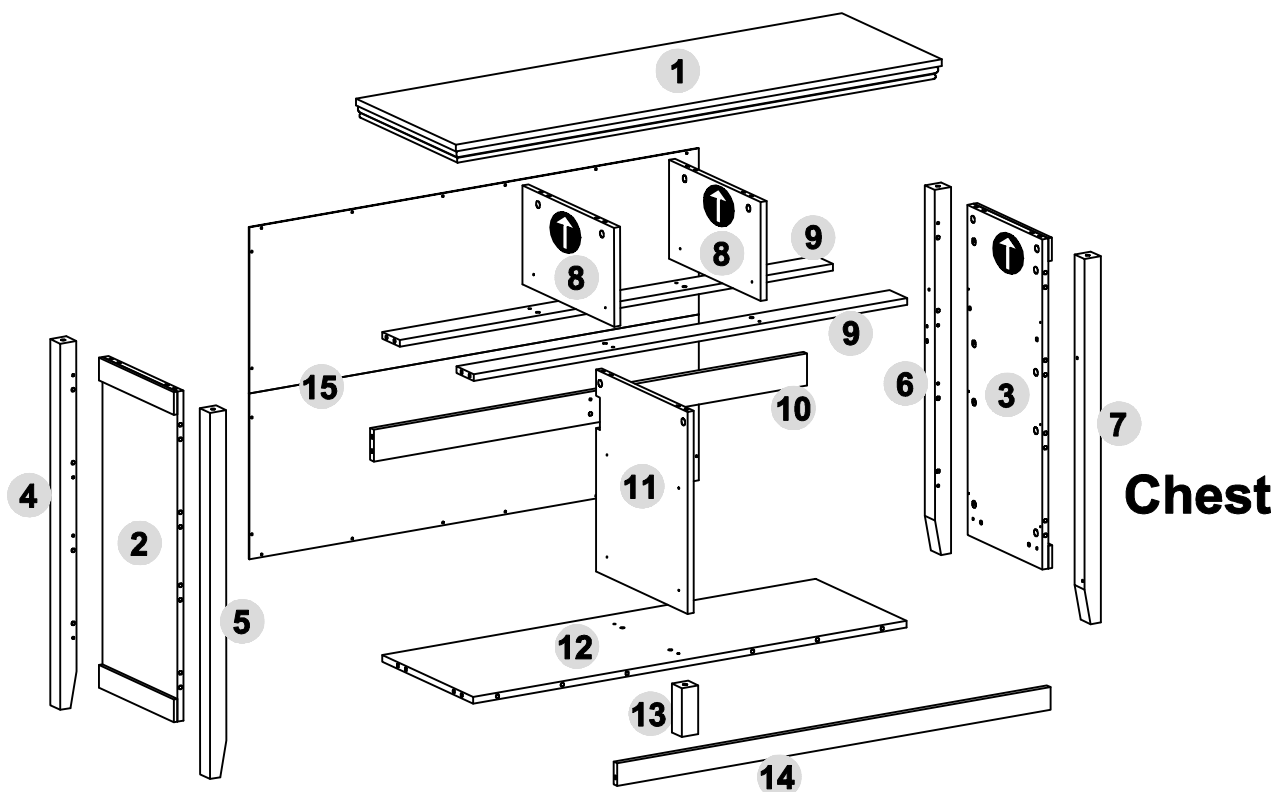
7 Drawers file cabinet

ITEM#JX-006

Assembly Instructions

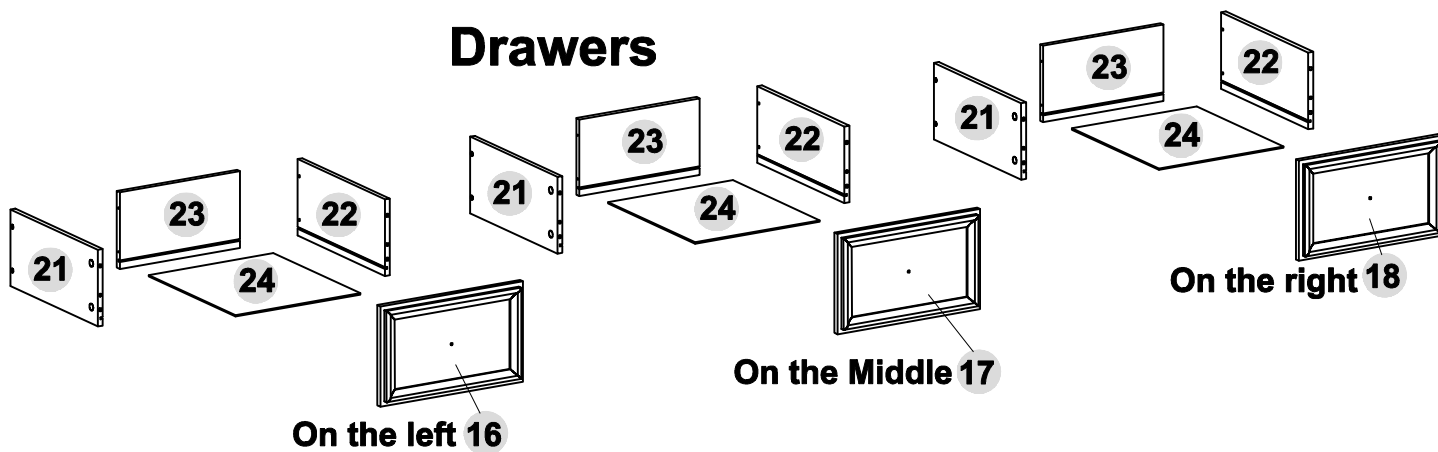


PACKAGE INCLUDE

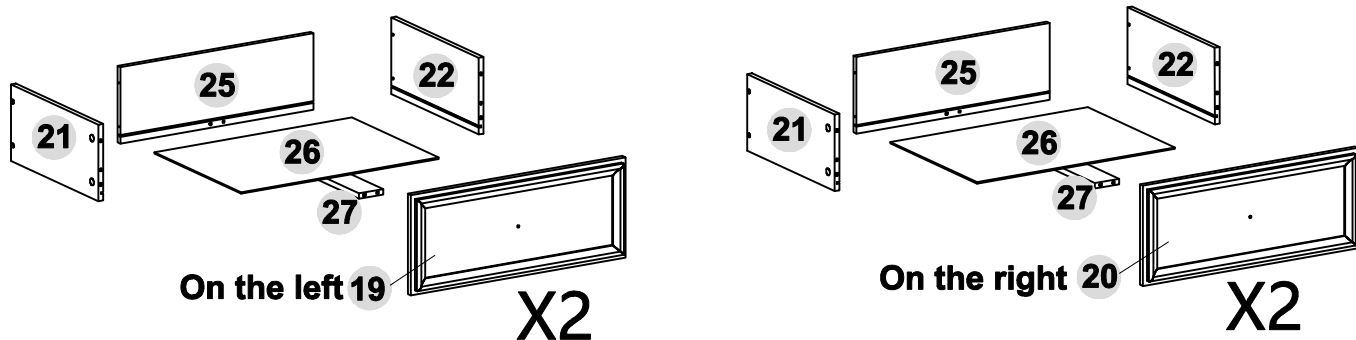


Chest

Drawers



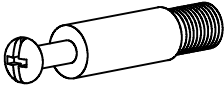
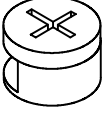
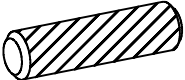
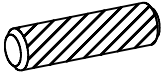


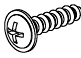
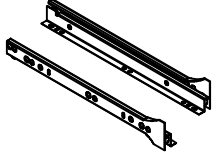


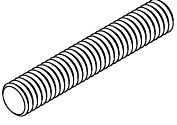
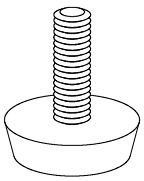

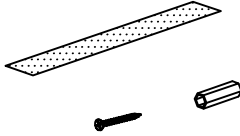
Notice: Different drawers correspond to different installation positions, small drawers divided into left, center and right, large drawers divided into left and right. The reverse installation will cause a distinct gap between the drawer and the dresser body.



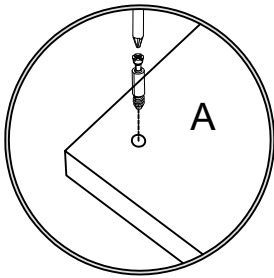
PART IDENTIFICATION

CODE	DESCRIPTION	QTY
1	Top panel	1
2	Left side panel	1
3	Right side panel	1
4	Left hind leg	1
5	Left front leg	1
6	Right hind leg	1
7	Right front leg	1
8	Upper middle partition panel	2
9	Upper drawbar	2
10	Back drawbar	1
11	Lower middle partition panel	1
12	Bottom panel	1
13	Base support	1
14	Bottom trim strip	1
15	Back panel	1
16	Left front panel of upper drawer	1
17	Middle front panel of upper drawer	1
18	Right front panel of upper drawer	1
19	Left front panel of lower drawer	2
20	Right front panel of lower drawer	2
21	Drawer left side panel	7
22	Drawer right side panel	7
23	Upper drawer tail plate	3
24	Bottom panel of upper drawer	3
25	Lower drawer tail plate	4
26	Bottom panel of lower drawer	4
27	Bottom drawbar of lower drawer	4

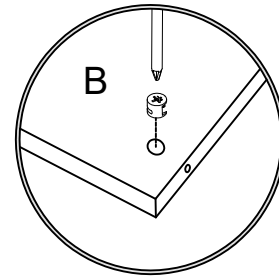
PACKAGE CONTENTS

 <p>A 78x+1</p>	<p>Ø15x9MM</p>  <p>B 78x+1</p>	<p>Ø8x30MM</p>  <p>C 49x+1</p>	<p>Ø6x30MM</p>  <p>D 22x+1</p>
<p>Ø3.5x35MM</p>  <p>E 28x</p>	<p>Ø4x12MM</p>  <p>F 84x+1</p>	<p>Ø3.5x12MM</p>  <p>G 20x+1</p>	<p>14"</p>  <p>H 7x</p>
 <p>I 7x</p>	<p>M4x18MM</p>  <p>J 7x</p>	<p>M6x30MM</p>  <p>K 1x</p>	<p>Ø23(M6x20MM)</p>  <p>L 1x</p>
<p>Ø4x50MM</p>  <p>M 7x</p>	 <p>N 2x</p>		

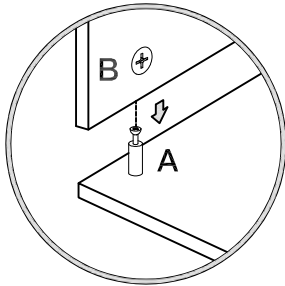
How do we finish the installation of the cam lock system?



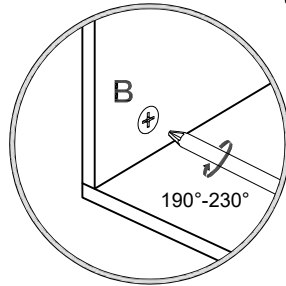
1. Screw a cam bolt A into the panel



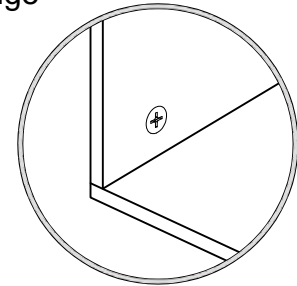
2. Push a cam B into the panel, make sure the arrow feature on the cam B points to the panel edge



3. Align cam bolt(s) A with cam(s) B and then insert cam bolt(s) A into cross-bored hole(s) completely

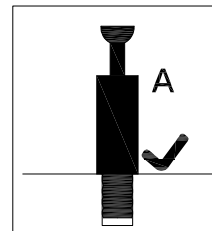
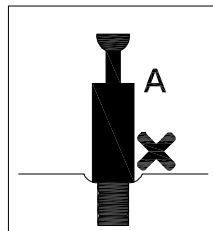
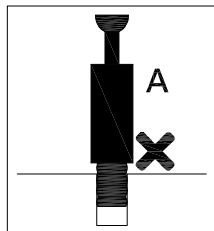
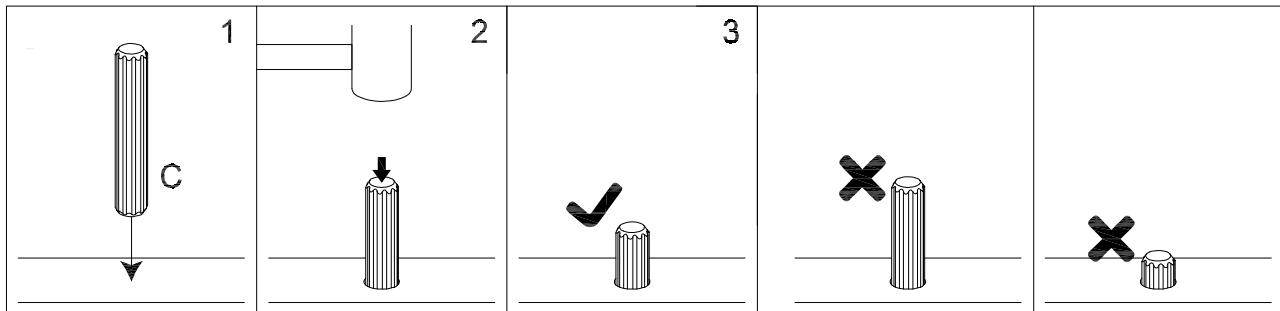


4. Rotate cam(s) B clockwise 190°-230° to lock 2 panels together



5. 2 panels should be tight against with each other and the connection should be rigid

Insert the wood dowel [C] at least half way by tapping lightly with a rubber mallet, IF NECESSARY.

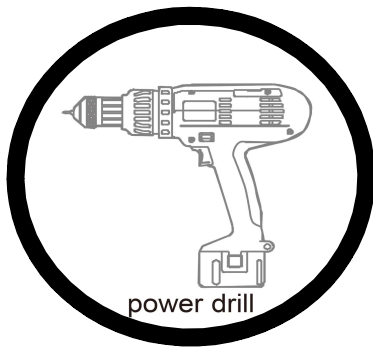


⚠ WARNING

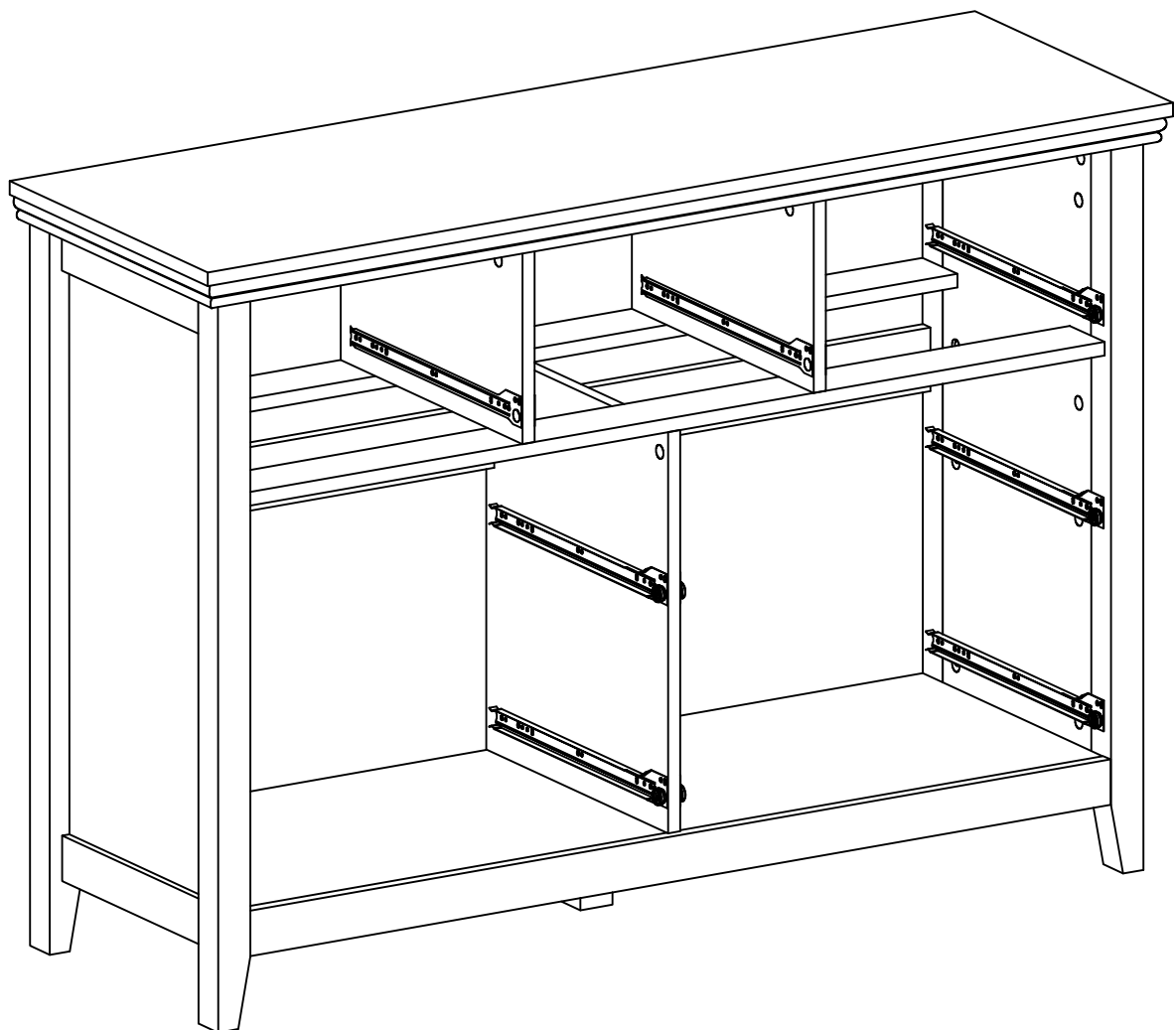
- Unit must be placed on a level surface or leveled with included hardware (when applicable).
- Do not sit or stand on or allow children to climb, sit or stand on the assembled product.
- For safety reasons, it is imperative that this unit be mounted to the wall.
- Do not use without installing the tip restraint.
- Unit can tip over causing severe injury or death.
- Do not exceed the recommended weight limits.
- Evenly distribute the weight on each level and always keep the heavier loads on the bottom.
- Before cutting, drilling or hammering into any wall or floor surface, verify the location of electrical, plumbing and gas lines. Cutting may cause serious injury.

Ready to assemble the dresser

Before installation, observe each structure of the drawer dresser. The drawer dresser consists of two main parts. You will assemble the chest first, and then install the three small drawers and four larger drawers. Finally, look at the finished look, and contrast list of part, imagine how to install it faster, hope this will help you.

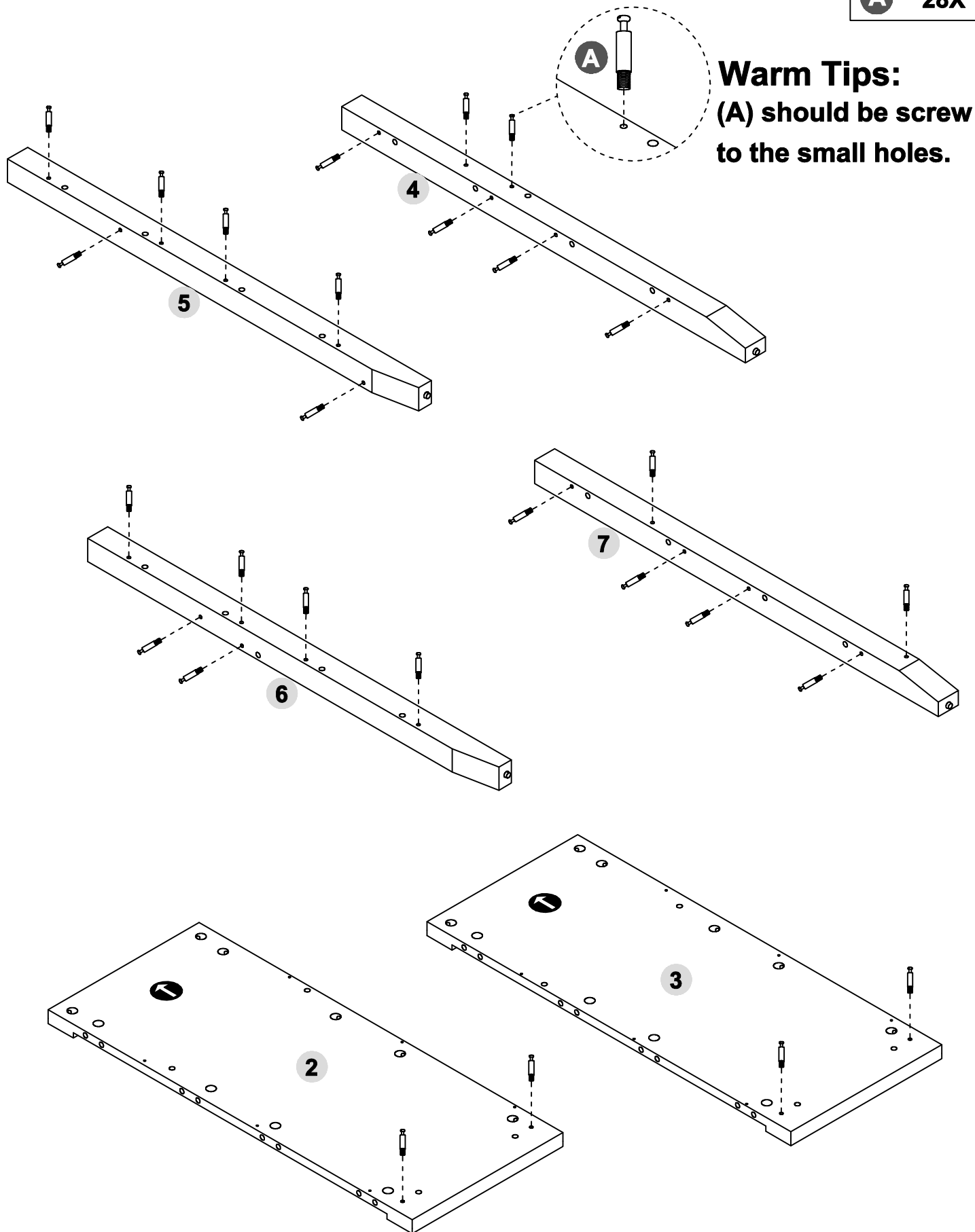
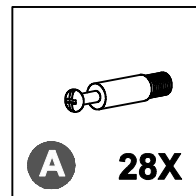


We recommend using a power drill to assemble.



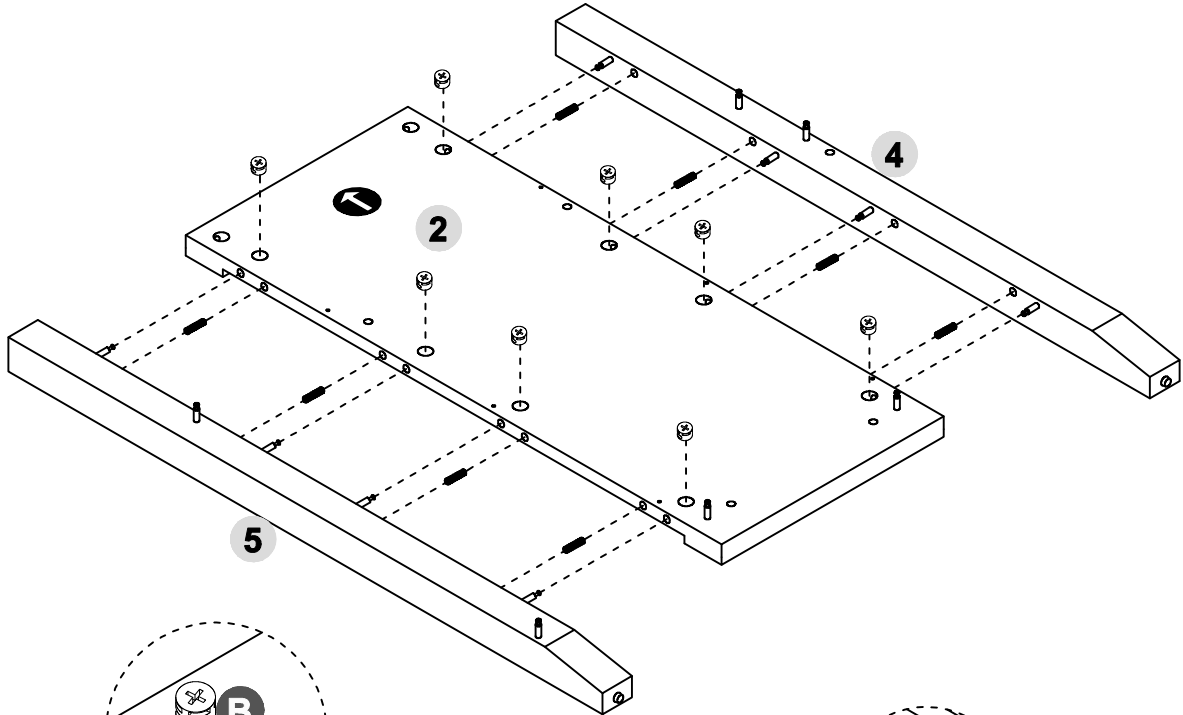
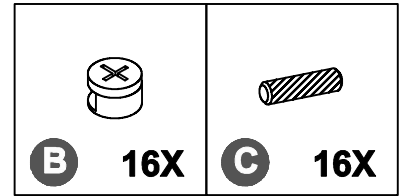
STEP 1

- Attach (A) to (2)&(3)&(4)&(5)&(6)&(7) as below shown

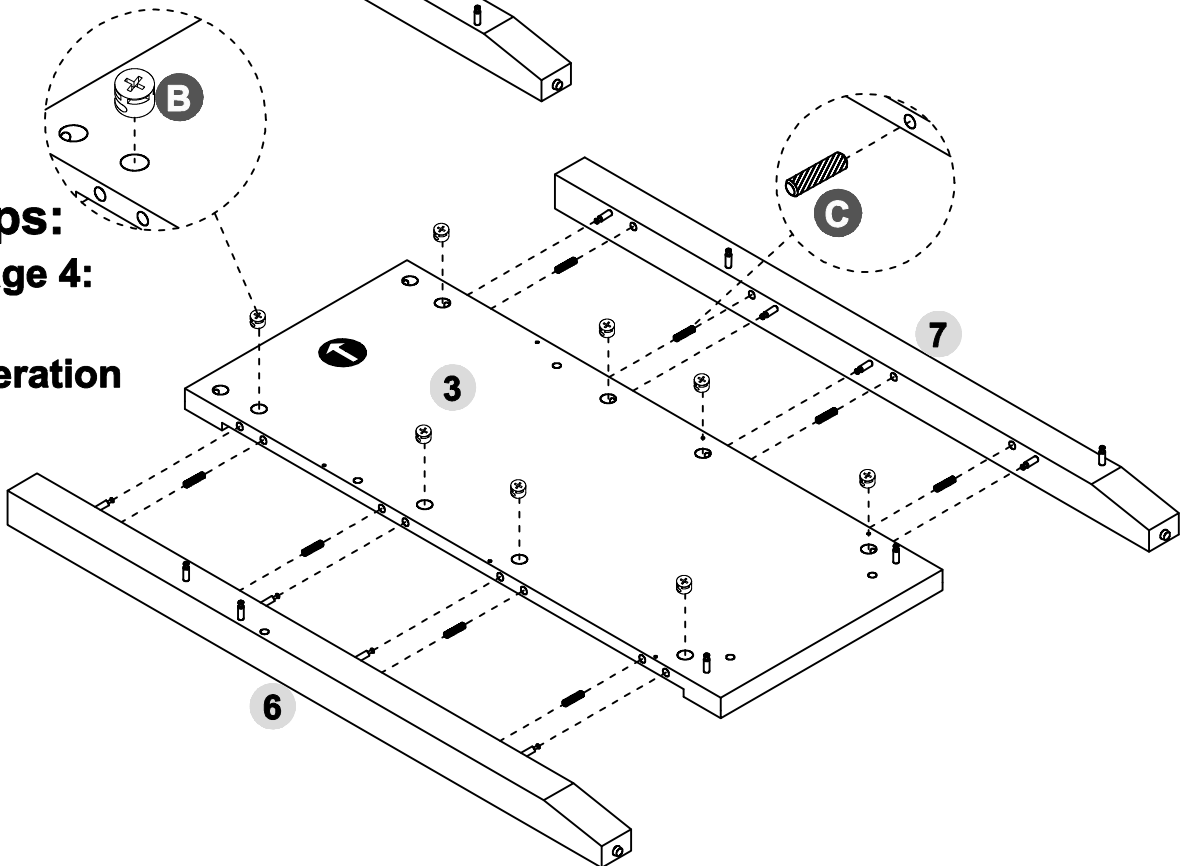


STEP 2

- Attach (C) to (2)&(3) as below shown
- Attach (4)&(5) to (2) as below shown
- Attach (6)&(7) to (3) as below shown
- Screw (B) to lock the (2)&(3) as below shown



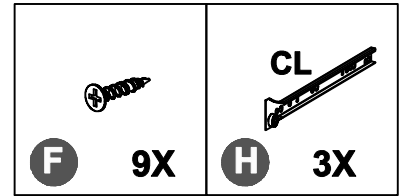
Warm Tips:
Refer to Page 4:
Cam lock
system operation



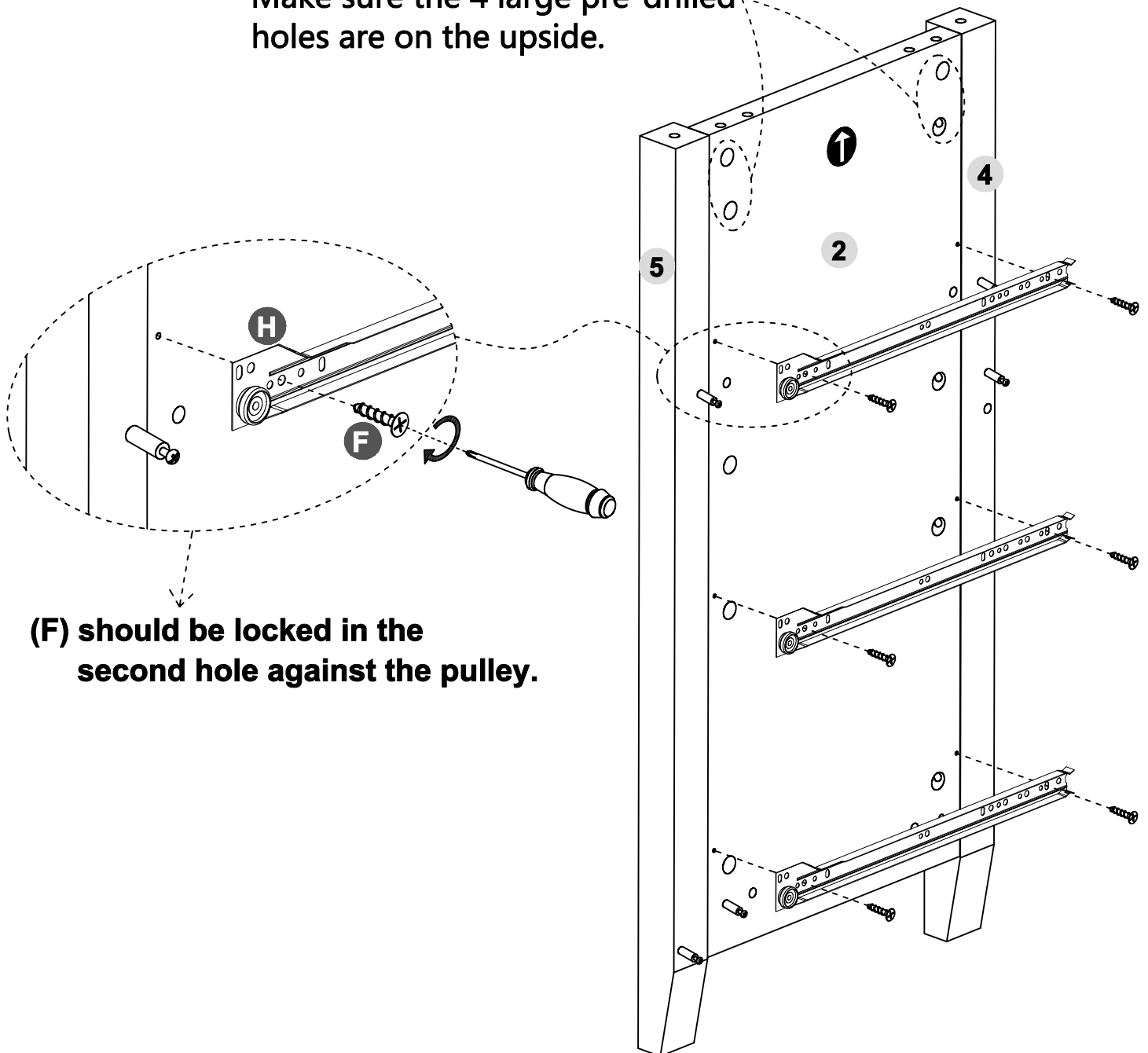
Warm Tips: Make sure the 4 large pre-drilled holes are on the upside, (4)&(5) holes should be in the same side.

STEP 3-1

- Install the drawer slides (H) on the left side panel (2).
Make sure the drawer slide is the one with a flat end when you build it.

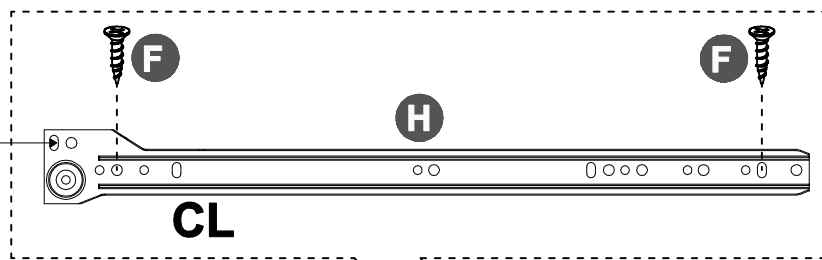


Make sure the 4 large pre-drilled holes are on the upside.

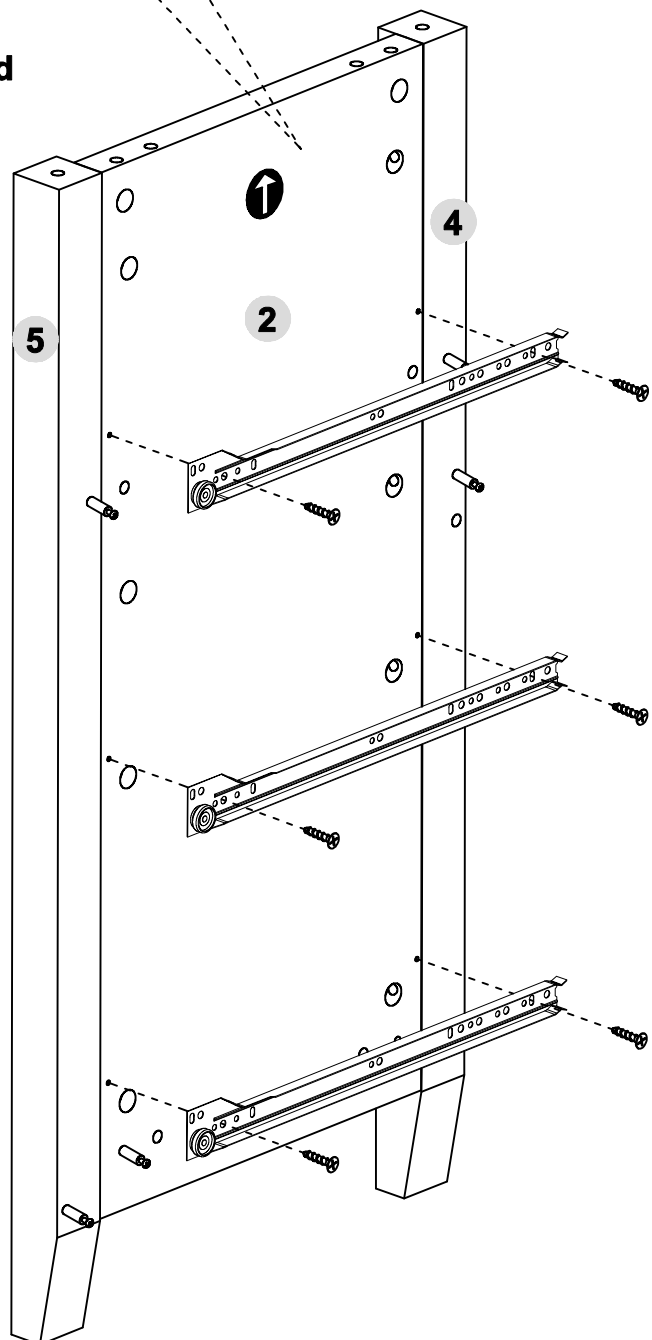


STEP 3-2

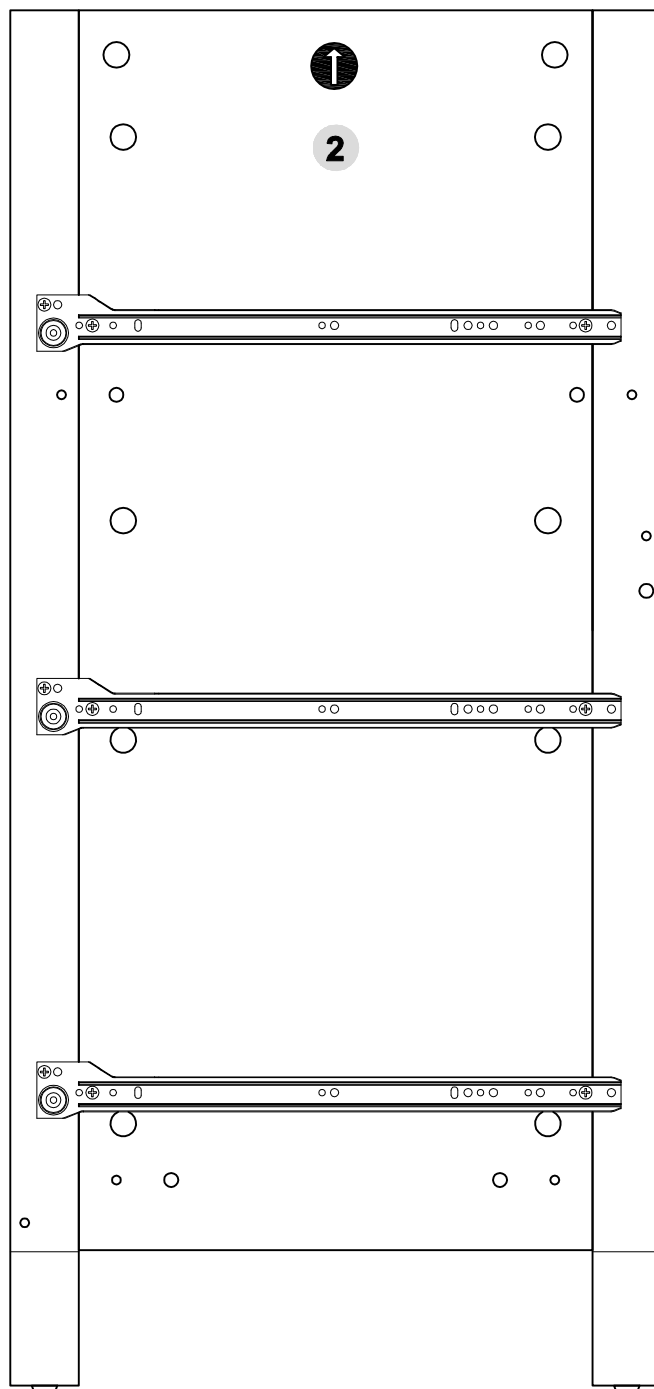
NOTE: Before you tighten the screw, please refer to the illustration carefully to make sure that the slide screws correspond to the position.



The first hole in the UPPER row holes of the slide is without the corresponding pre-drilled hole, after fix the position of the slide and then screw on.



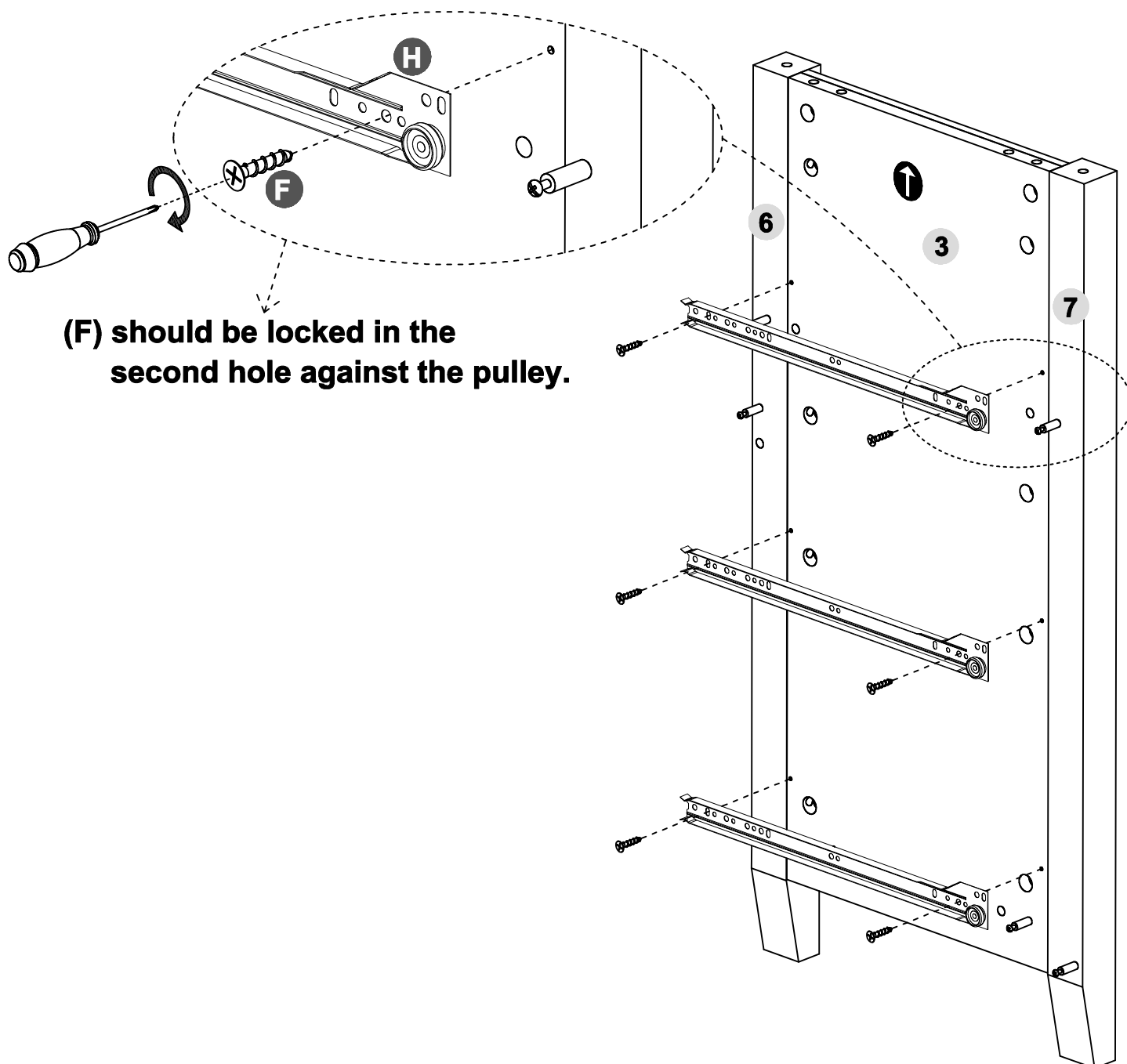
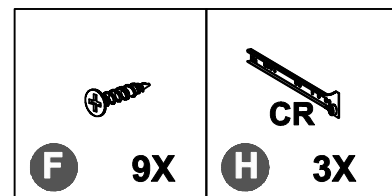
STEP 3-3



If you are confused, you can also refer to the position of this slide in the wood board.

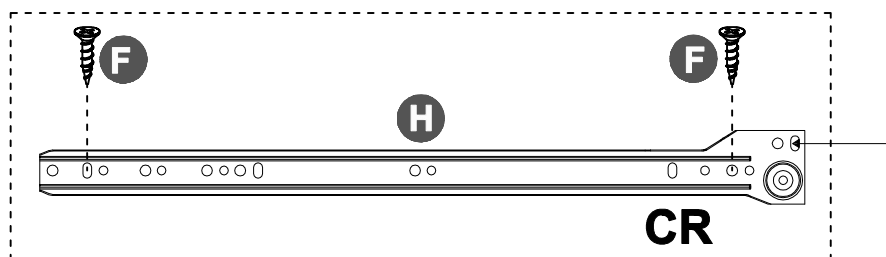
STEP 4-1

- Install the drawer slides (H) on the Right side panel (3).
Make sure the drawer slide is the one with a flat end when you build it.

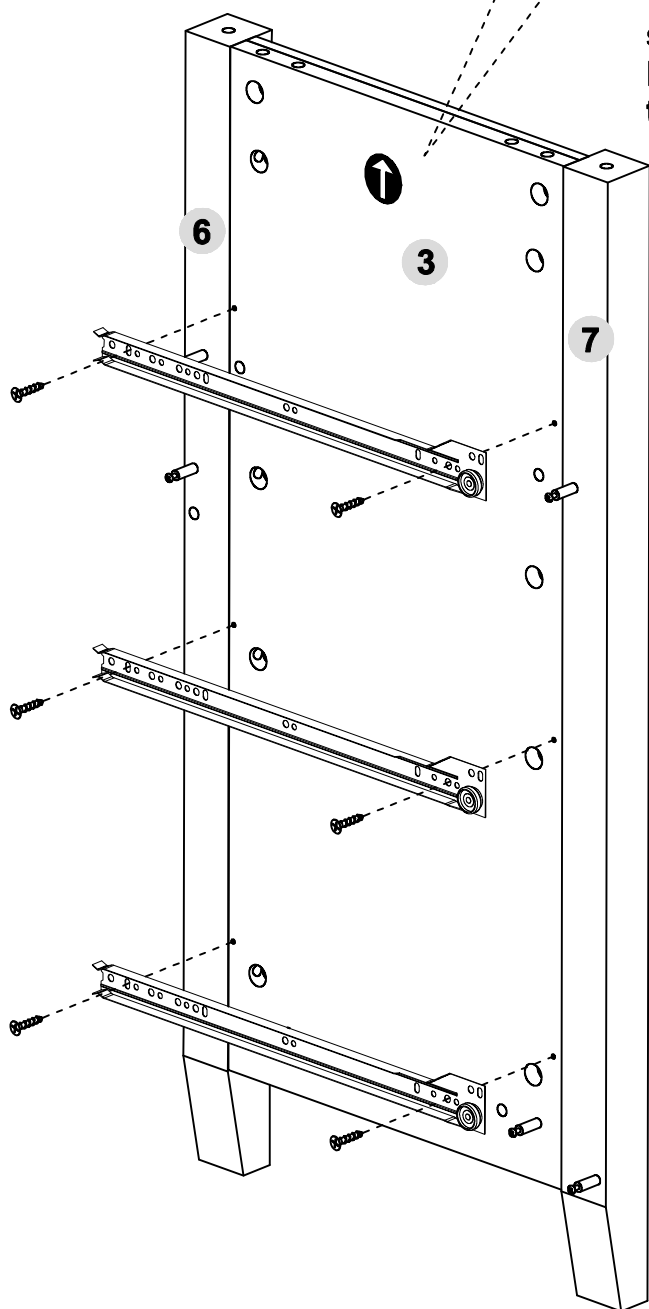


STEP 4-2

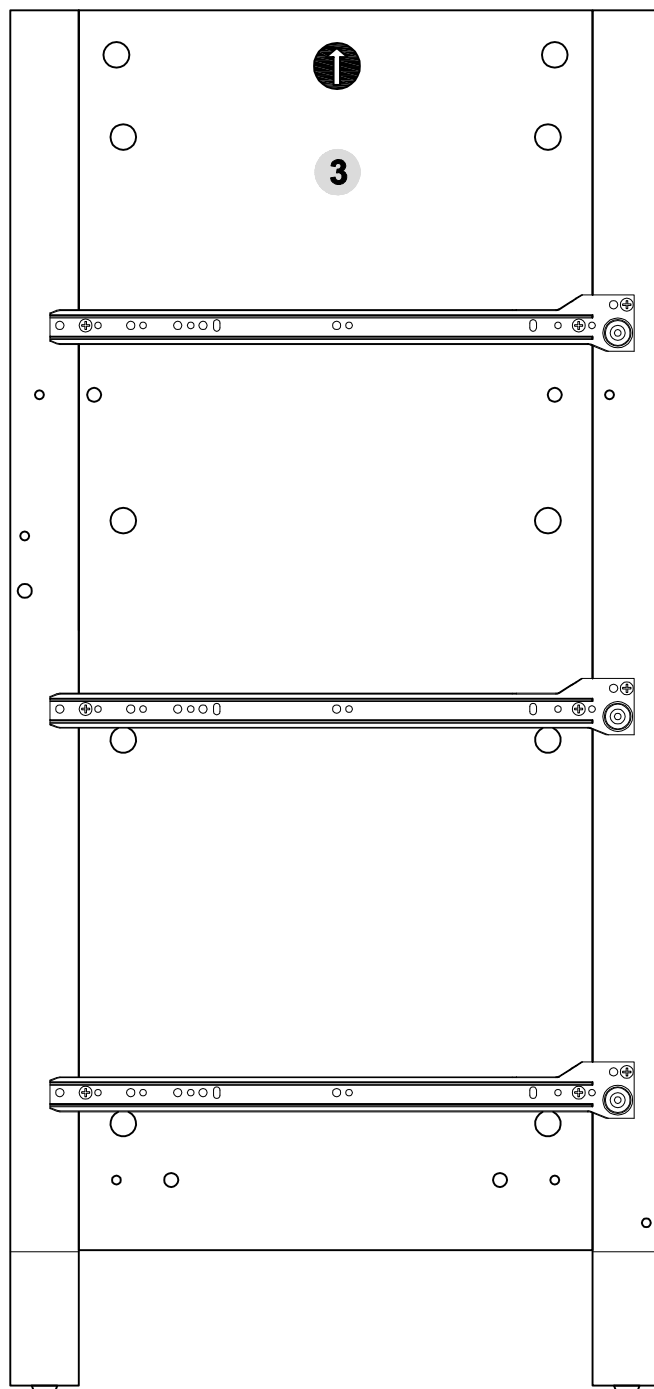
NOTE: Before you tighten the screw, please refer to the illustration carefully to make sure that the slide screws correspond to the position.



The first hole in the UPPER row holes of the slide is without the corresponding pre-drilled hole, after fix the position of the slide and then screw on.






STEP 4-3

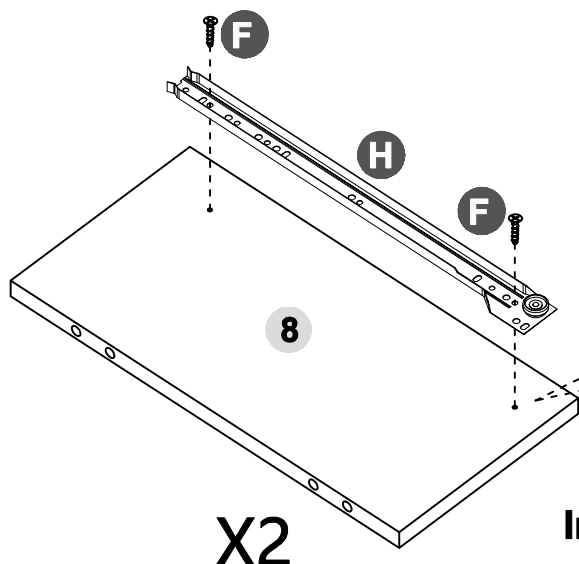


If you are confused, you can also refer to the position of this slide in the wood board.

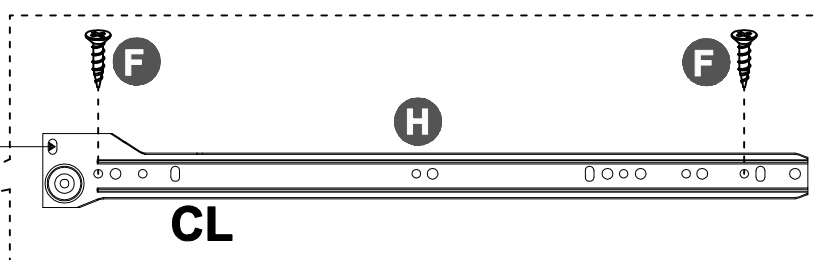
STEP 5-1

- Install the drawer slides (H) on the Middle panel (8).
Make sure the drawer slide is the one with a flat end when you build it.

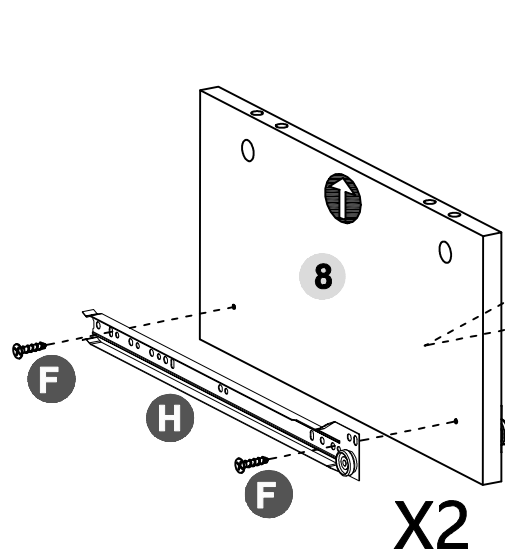
 F 12X	 CL H 2X
	 CR H 2X



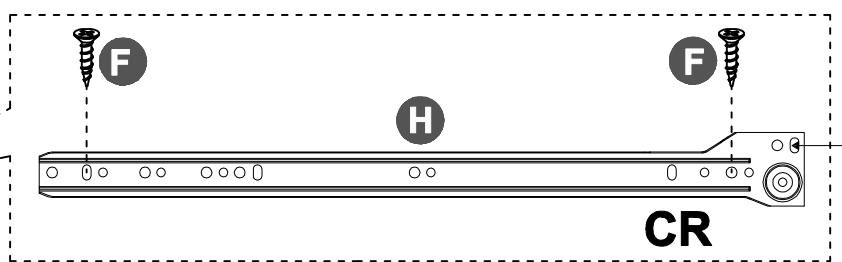
The first hole in the UPPER row holes of the slide is without the corresponding pre-drilled hole, after fix the position of the slide and then screw on.



Install first rail on the right side of board 8.



The first hole in the UPPER row holes of the slide is without the corresponding pre-drilled hole, after fix the position of the slide and then screw on.

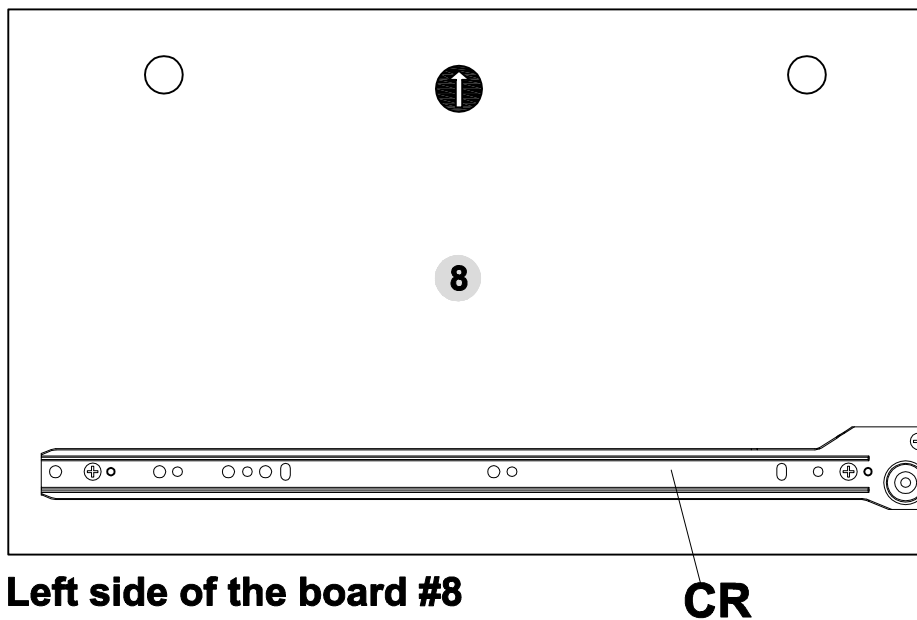
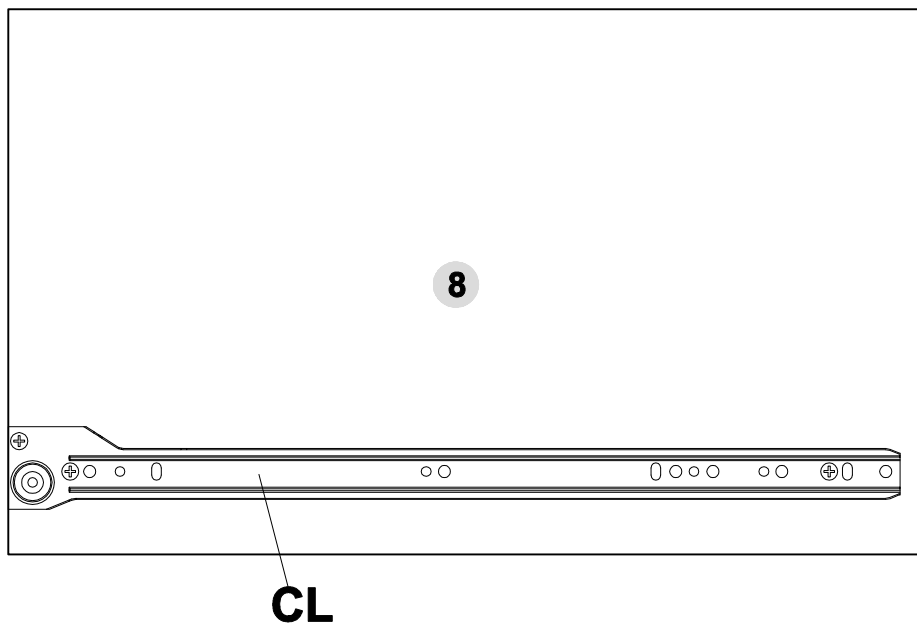


Install second rail on the left side of board 8.

- NOTICE:**
1. To ensure the stability of the structure, please pay attention to the hole position when locking screws. CL slide should lock on the first hole position near the pulley, CR slide lock on the second hole position near the pulley.
 2. The right side and left side of the panel are different, the left slide is mounted on the right side of the panel, the right slide is mounted on the left side of the panel, details can be found on the following page.

STEP 5-2

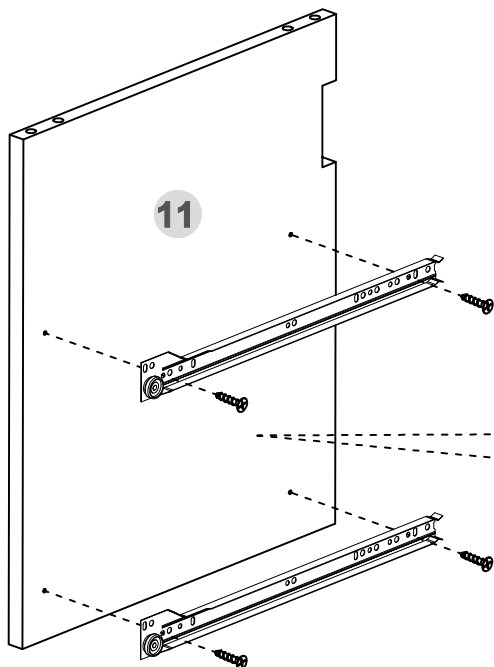
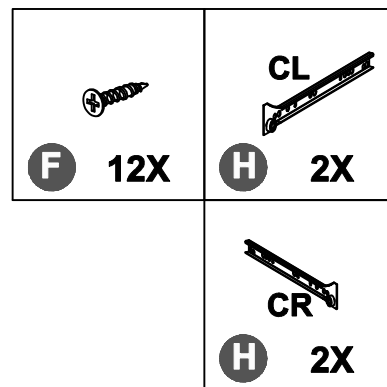
Right side of the board #8



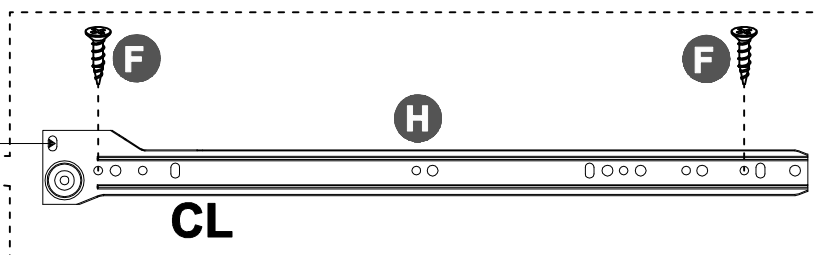
If you are confused, you can also refer to the position of this slide in the wood board.

STEP 6-1

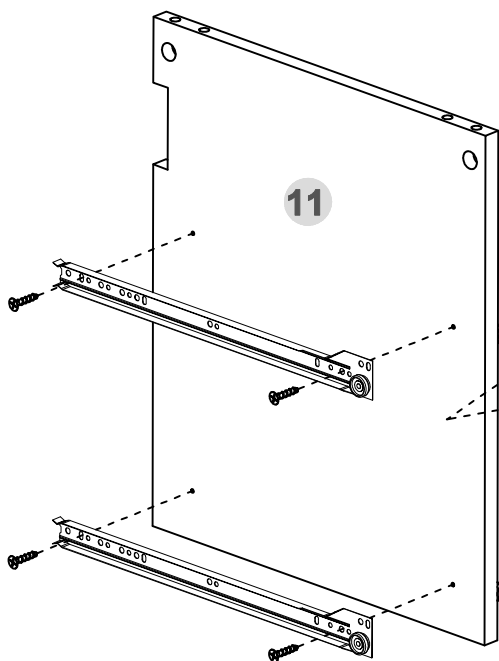
- Install the drawer slides (H) on the Middle panel (11). Make sure the drawer slide is the one with a flat end when you build it.



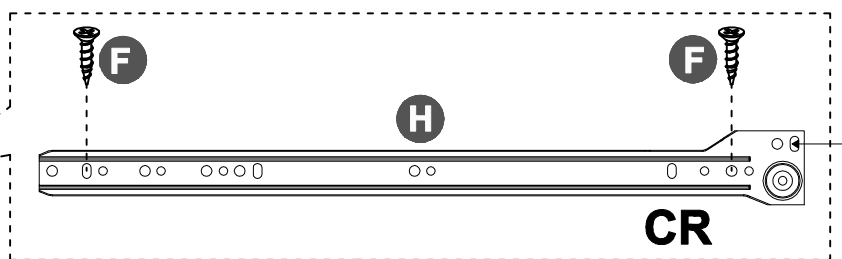
The first hole in the UPPER row holes of the slide is without the corresponding pre-drilled hole, after fix the position of the slide and then screw on.



Install first rail on the right side of board 11.



The first hole in the UPPER row holes of the slide is without the corresponding pre-drilled hole, after fix the position of the slide and then screw on.

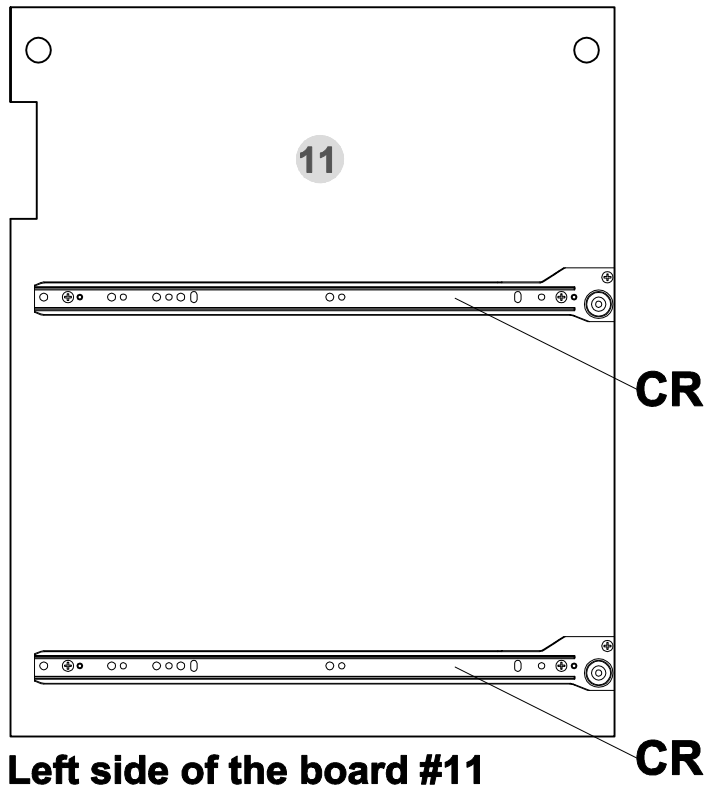
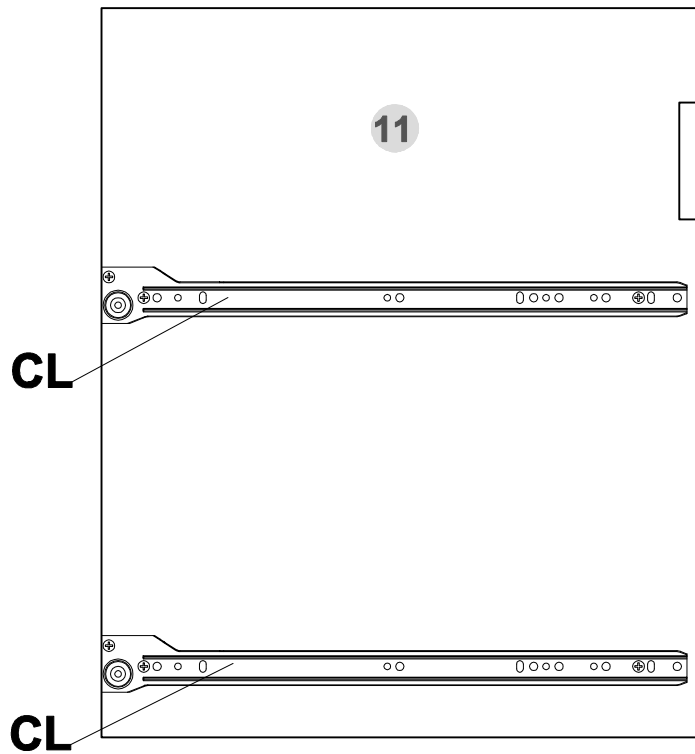


Install second rail on the left side of board 11.

- NOTICE:**
1. To ensure the stability of the structure, please pay attention to the hole position when locking screws. CL slide should lock on the first hole position near the pulley, CR slide lock on the second hole position near the pulley.
 2. The right side and left side of the panel are different, the left slide is mounted on the right side of the panel, the right slide is mounted on the left side of the panel, details can be found on the following page.

STEP 6-2

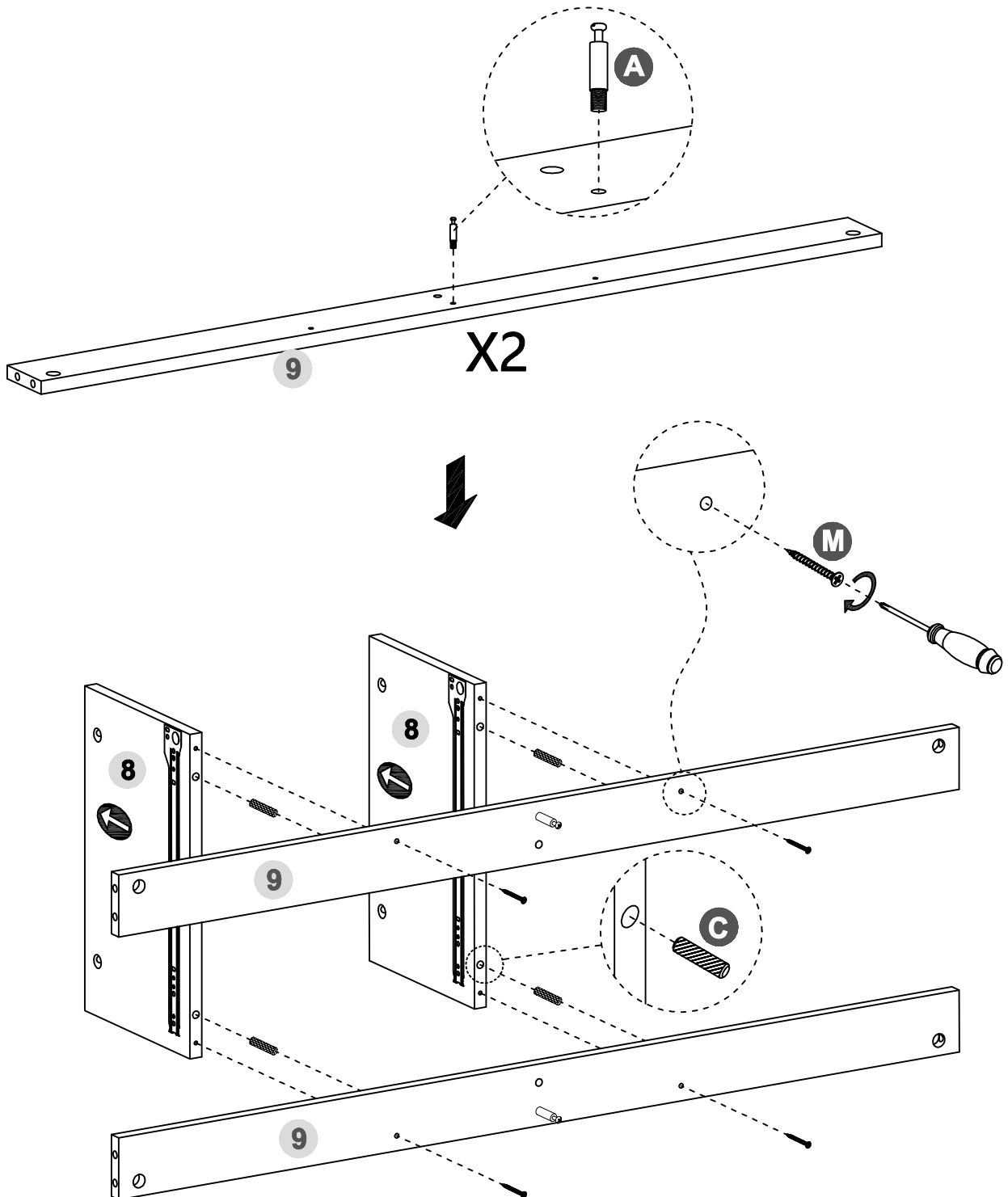
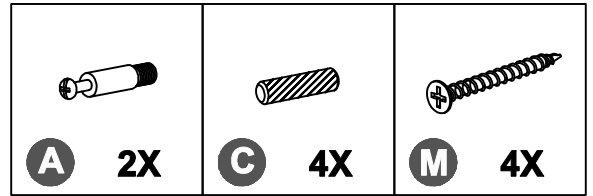
Right side of the board #11



If you are confused, you can also refer to the position of this slide in the wood board.

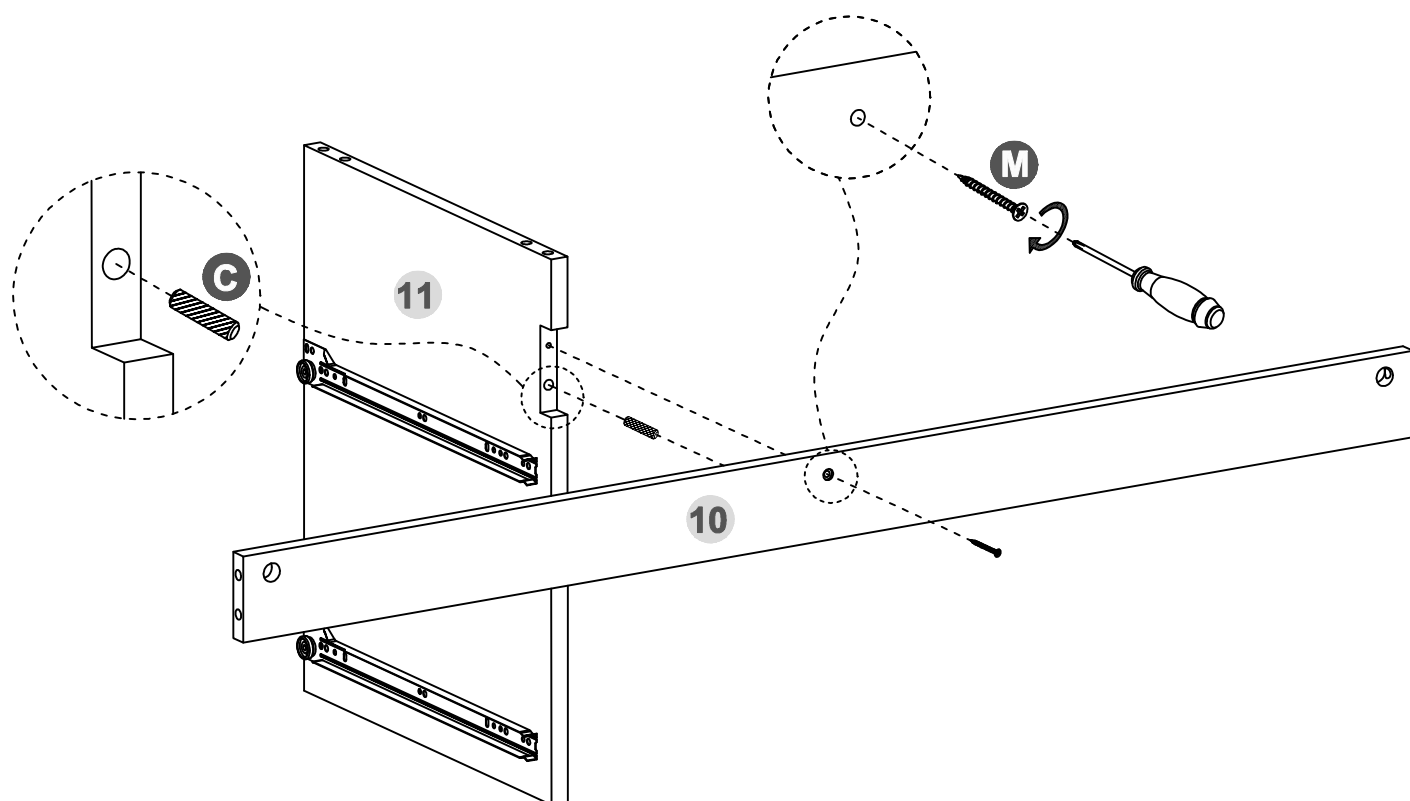
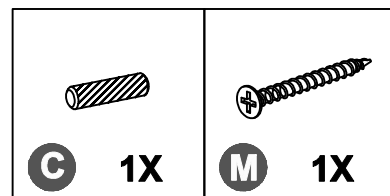
STEP 7

- Screw (A) to (9) as below shown
- Screw (C) to (8) as below shown
- Attach (9) to (8) as below shown
- Screw (M) to lock (9) to the (8) as below shown



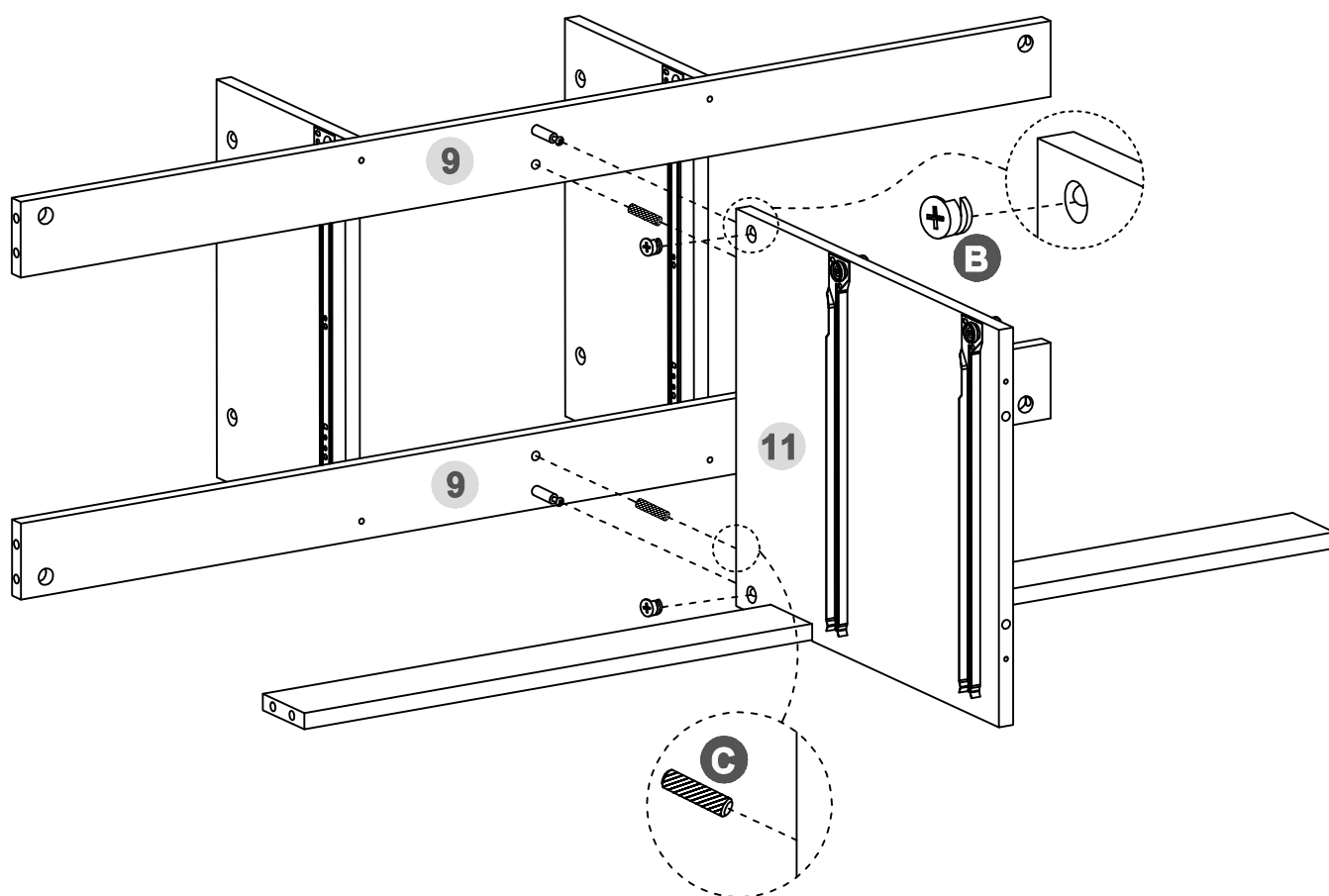
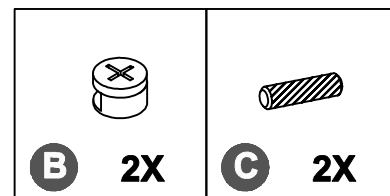
STEP 8

- Screw (C) to (11) as below shown
- Attach (10) to (11) as below shown
- Screw (M) to lock (10) to the (11) as below shown



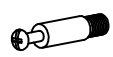


STEP 9

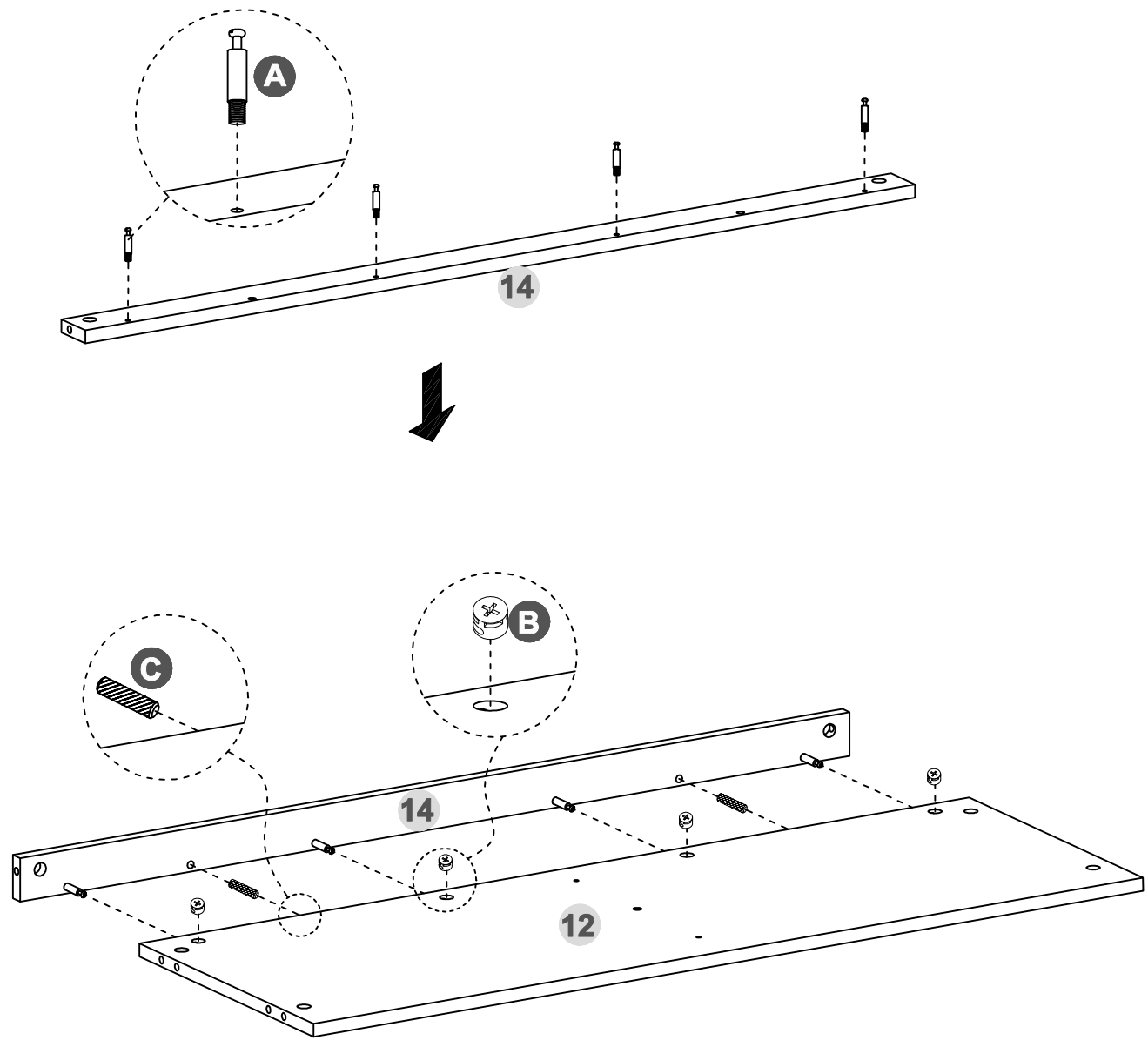
- Screw (C) to (11) as below shown
- Attach (9) to (11) as below shown
- Screw (B) to lock the (11) as below shown



STEP 10

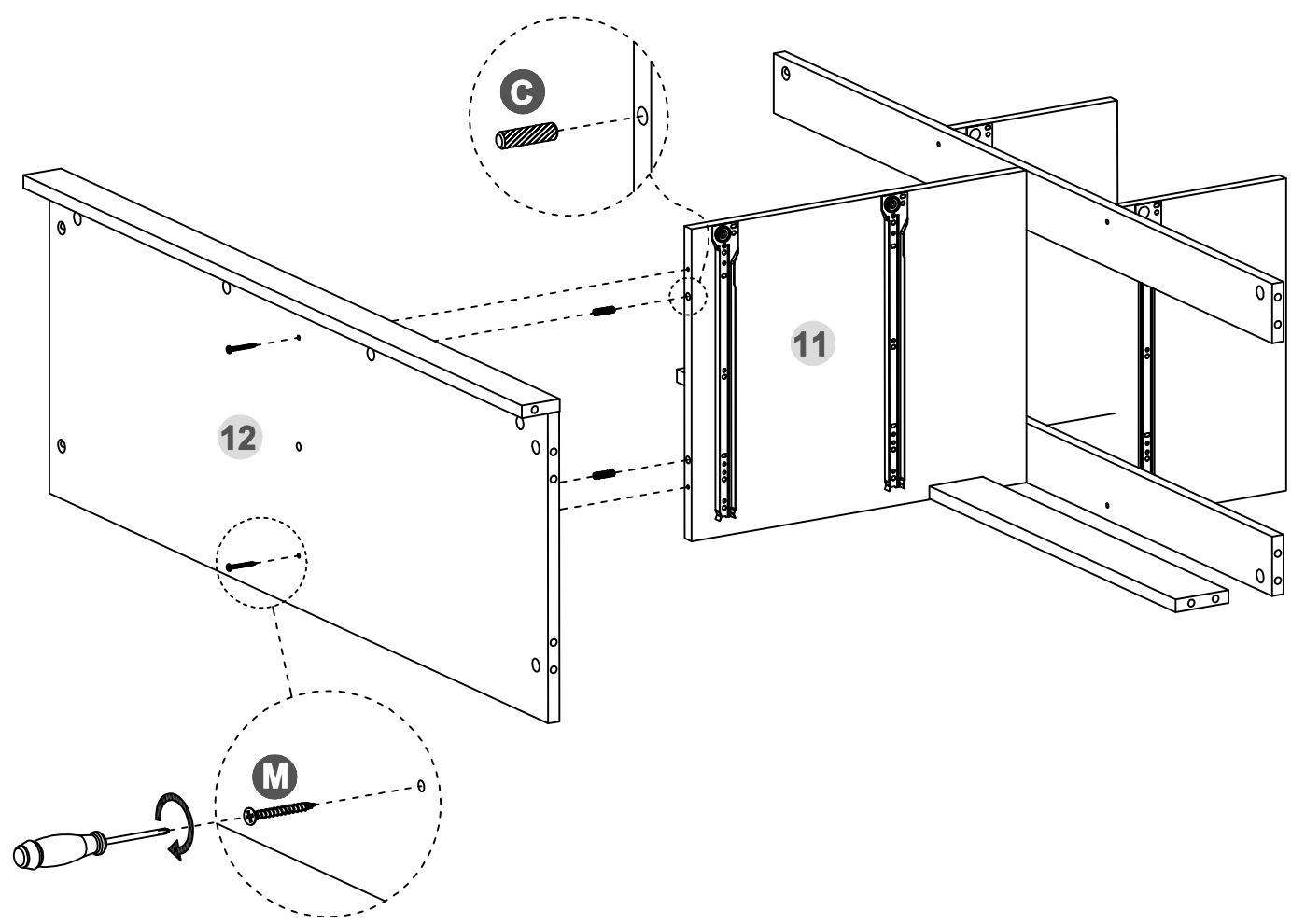
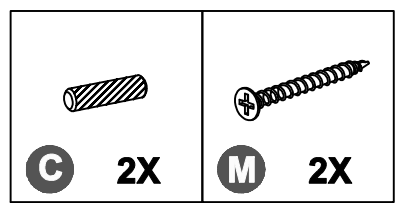
- Screw (A) to (14) as below shown
- Screw (C) to (12) as below shown
- Attach (14) to (12) as below shown
- Screw (B) to lock the (12) as below shown

		
A 4X	B 4X	C 2X



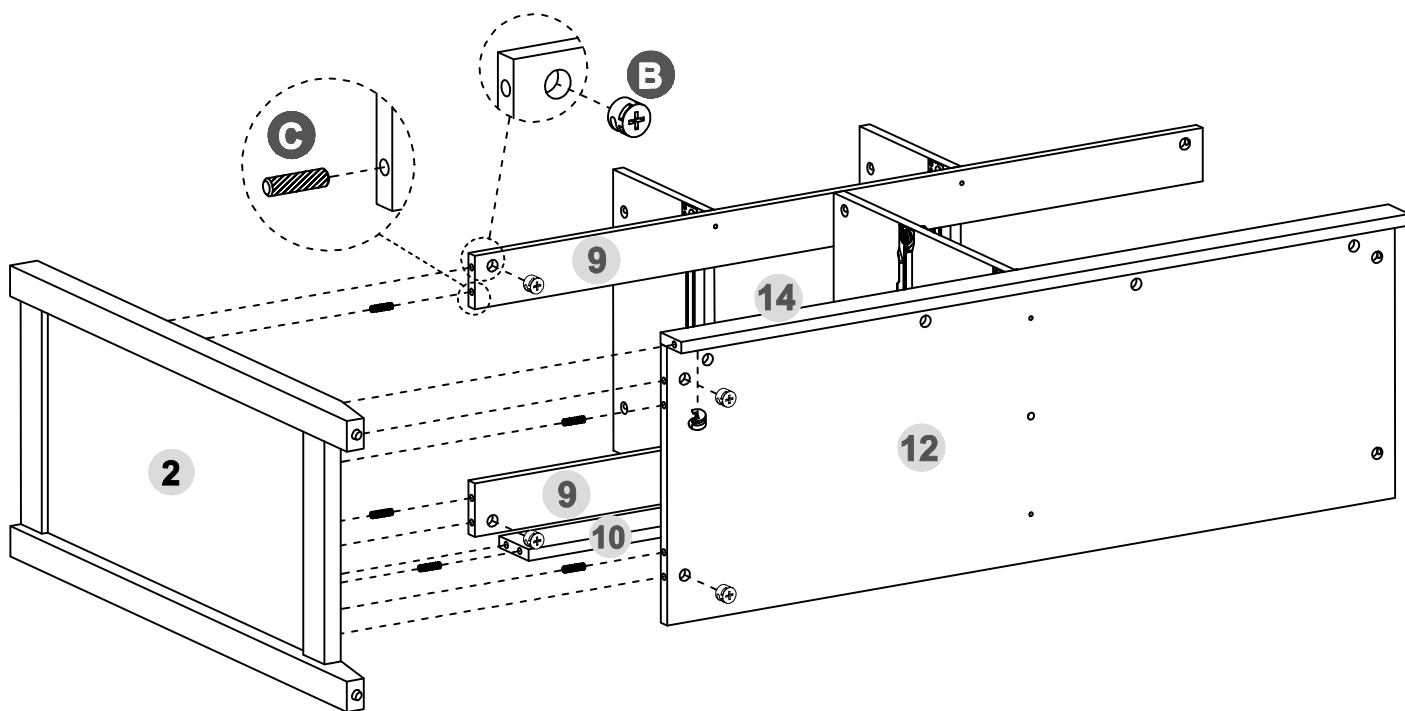
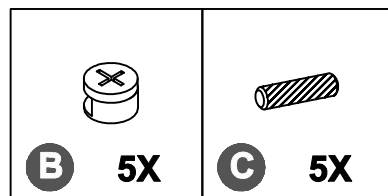
STEP 11

- Screw (C) to (11) as below shown
- Attach (12) to (11) as below shown
- Screw (M) to lock (12) to the (11) as below shown





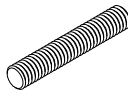
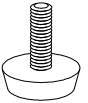
STEP 12

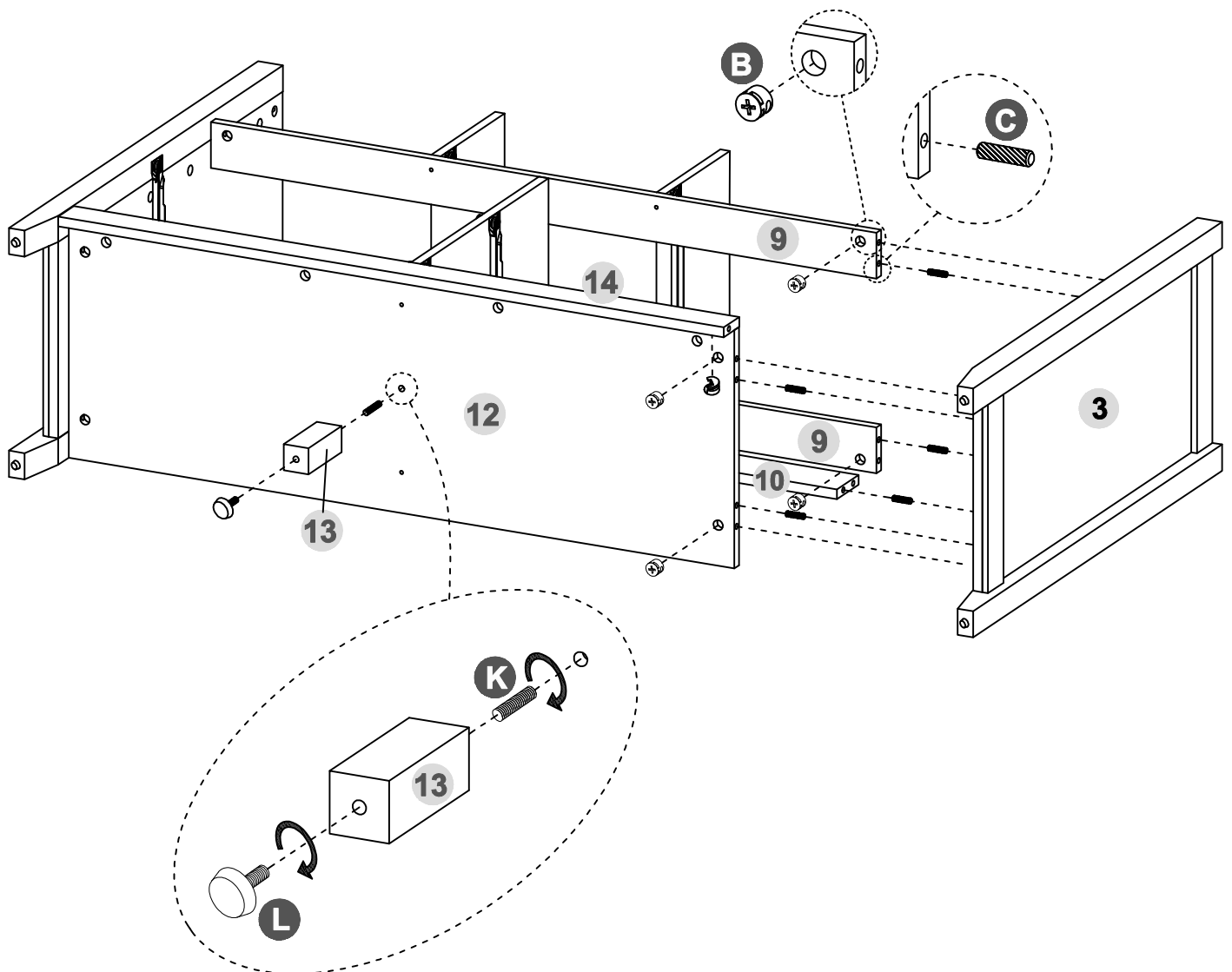
- Screw (C) to (9)&(10)&(12) as below shown
- Attach (9)&(10)&(12)&(14) to (2) as below shown
- Screw (B) to lock the (9)&(12)&(14) as below shown



STEP 13

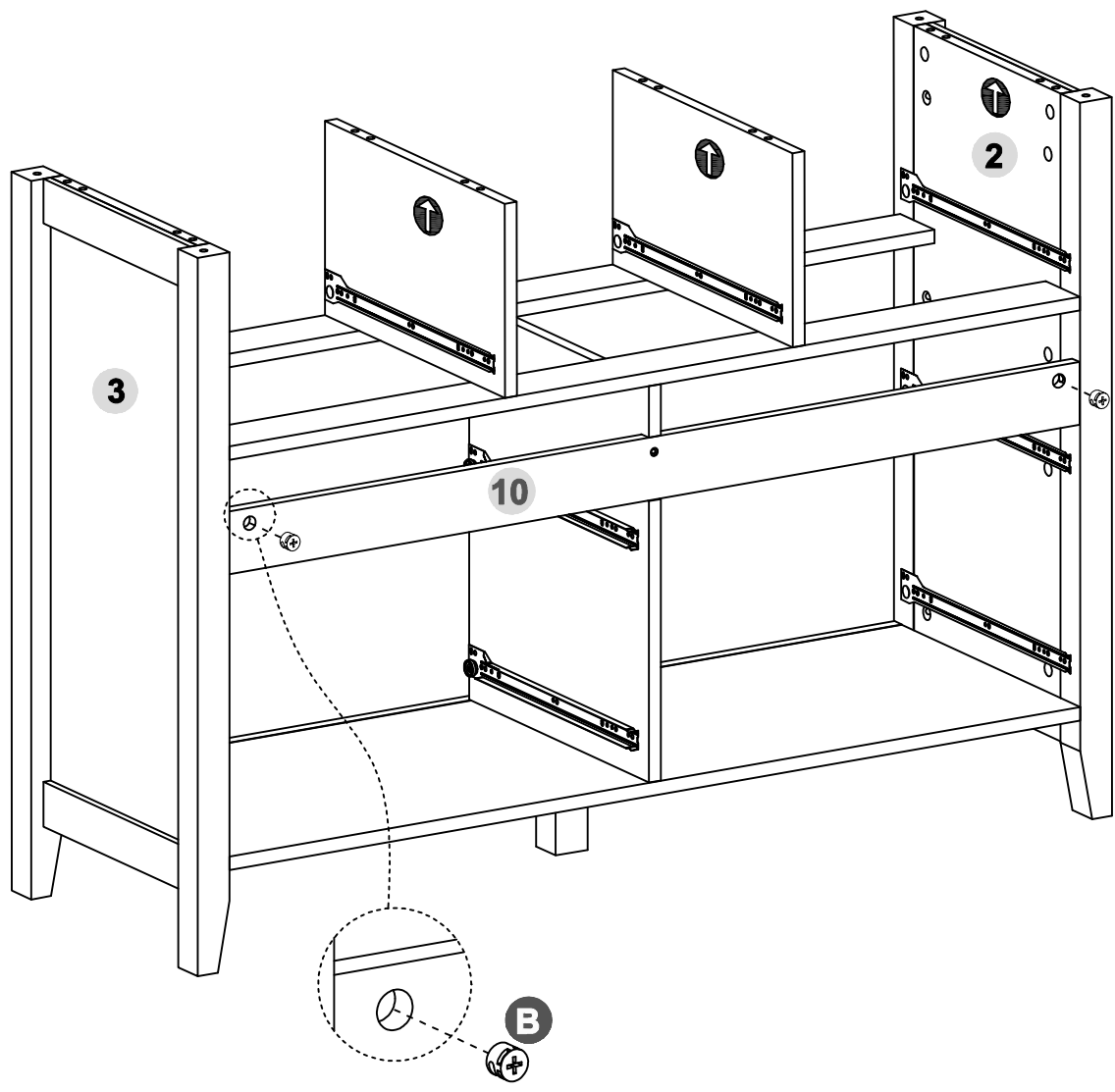
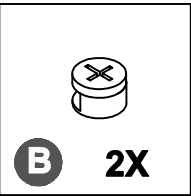
- Screw (C) to (9)&(10)&(12) as below shown
- Attach (9)&(10)&(12)&(14) to (3) as below shown
- Screw (B) to lock the (9)&(12)&(14) as below shown
- Screw (K) to lock (13) to the (12) as below shown
- Screw (L) to (13) as below shown

 B 5X	 C 5X
 K 1X	 L 1X



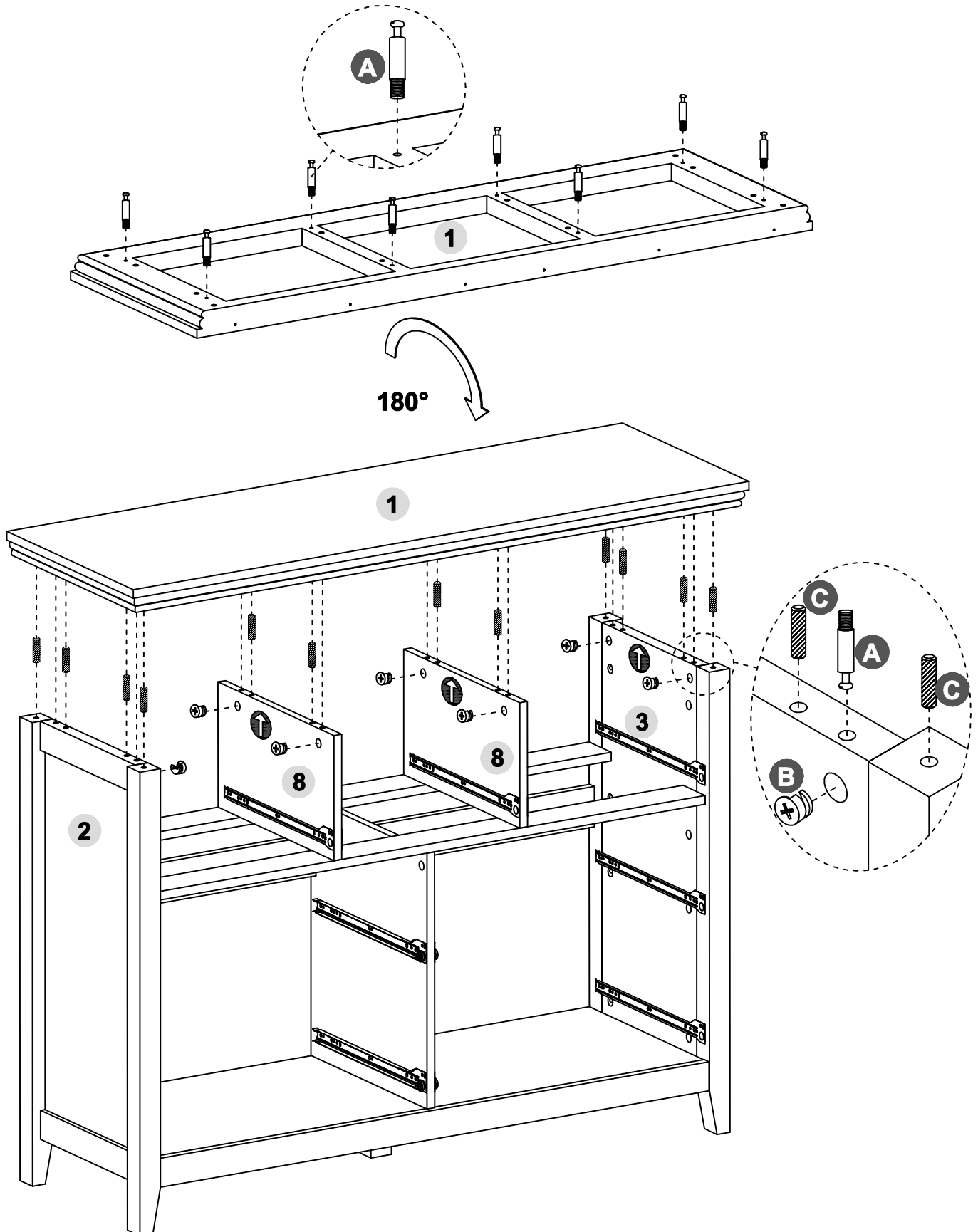
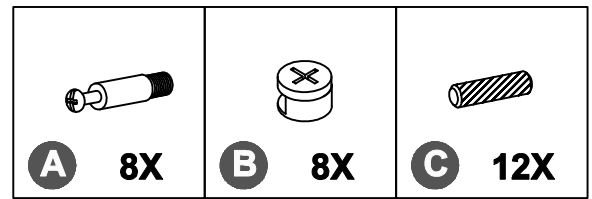
STEP 14

- Screw (B) to lock the (10) as below shown



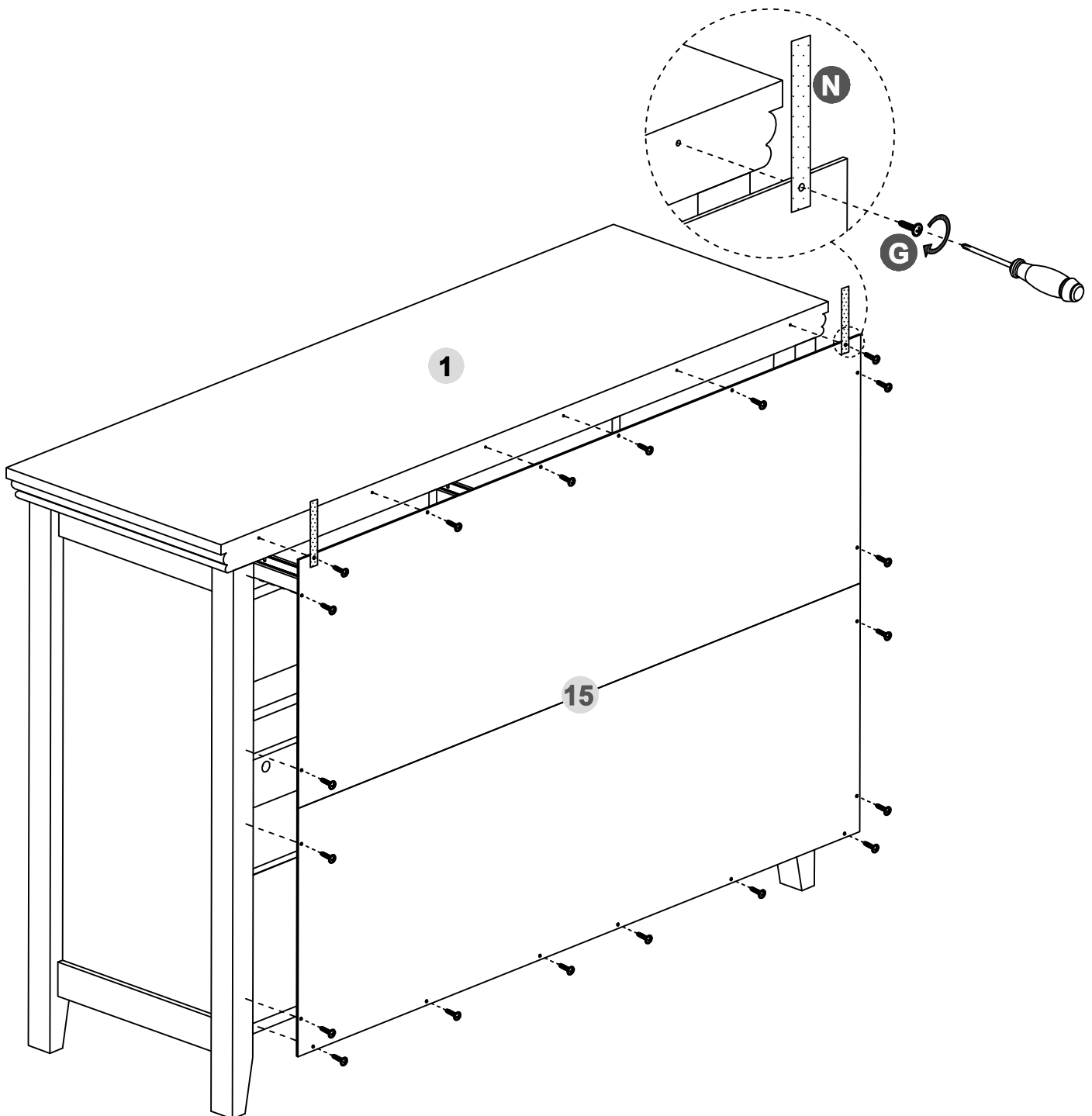
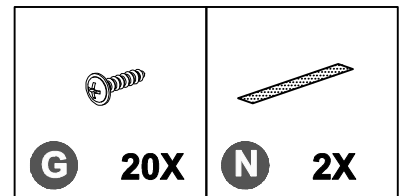
STEP 15

- Screw (A) to (1) as below shown
- Screw (C) to (2)&(3)&(8) as below shown
- Flip (1) , attach (1) to (2)&(3)&(8) as below shown
- Screw (B) to lock the (2)&(3)&(8) as below shown



STEP 16

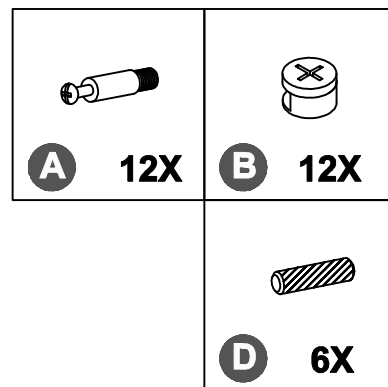
- Screw (G) to Back panel (15) as below shown
- Stick (N) to (1)&(15), use (G) locked



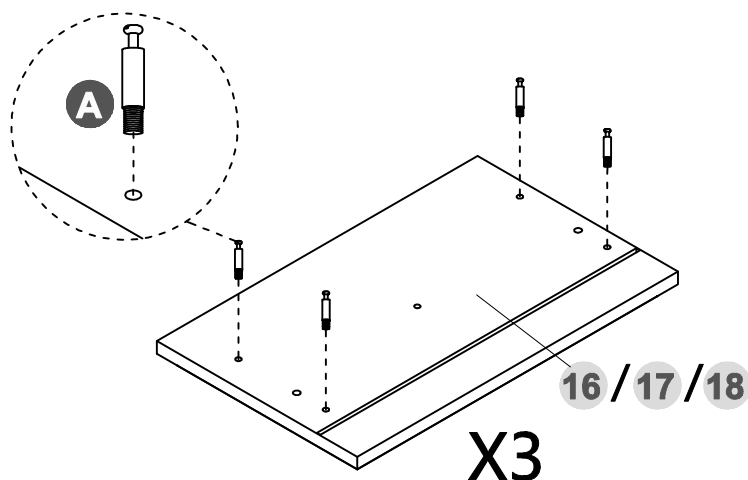
- Warm Tips:**
- ① It is recommended to put the product upside down When installing the back panel.
 - ② It is recommended to attach the back panel (15) at the top panel (1) first.

STEP 17

- Screw (A)&(D) to (16)&(17)&(18) as below shown
- Attach (21)&(22) to (16)&(17)&(18) as below shown
- Screw (B) to lock the (21)&(22) as below shown

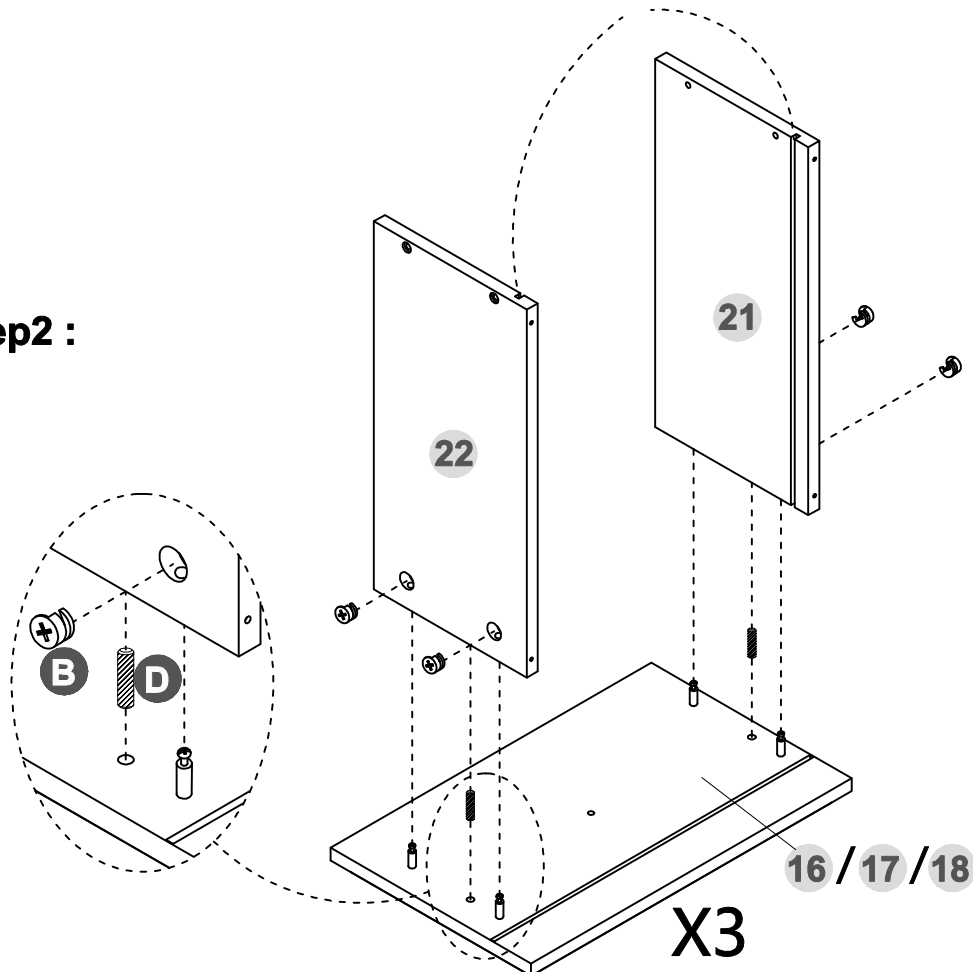


Step 1 :



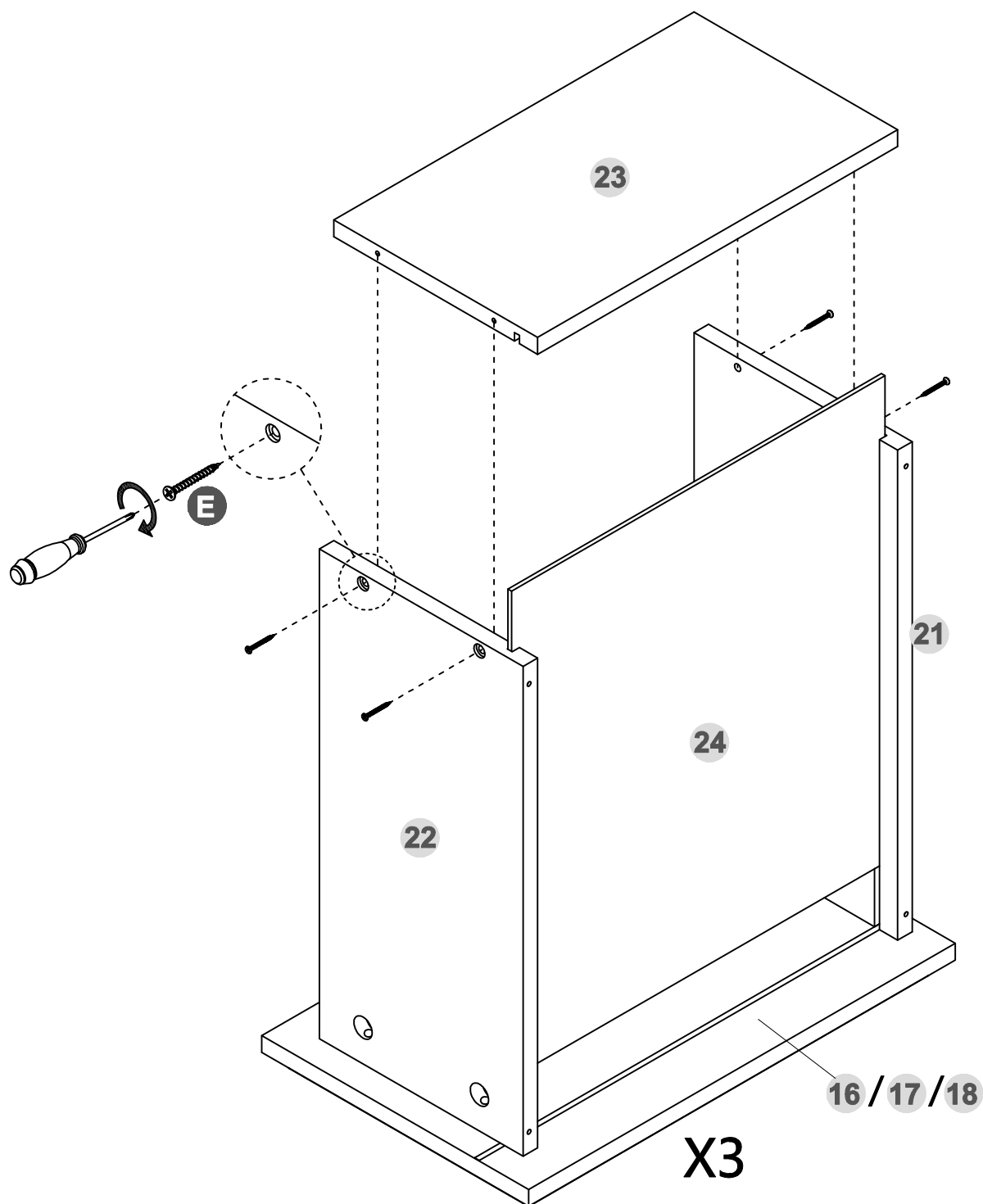
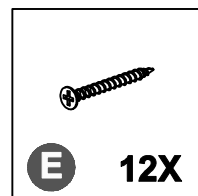
The long groove on the panel is used to install the bottom plate. Please make sure all grooves of these boards are on the same side.

Step2 :



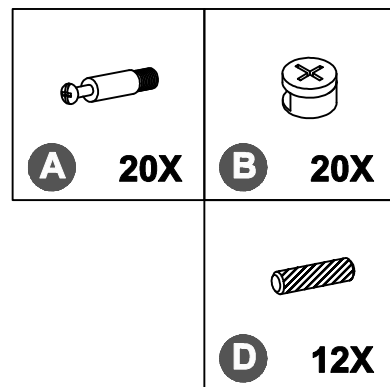
STEP 18

- Attach (23)&(24) to (21)&(22) as below shown
- Screw (E) to attach (21)&(22) to (23) as below shown

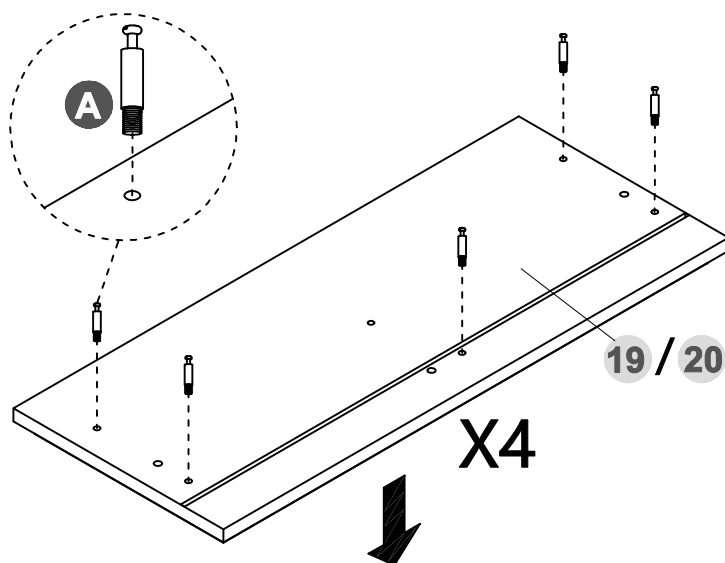


STEP 19

- Screw (A)&(D) to (19)&(20) as below shown
- Attach (21)&(22)&(27) to (19)&(20) as below shown
- Screw (B) to lock the (21)&(22)&(27) as below shown

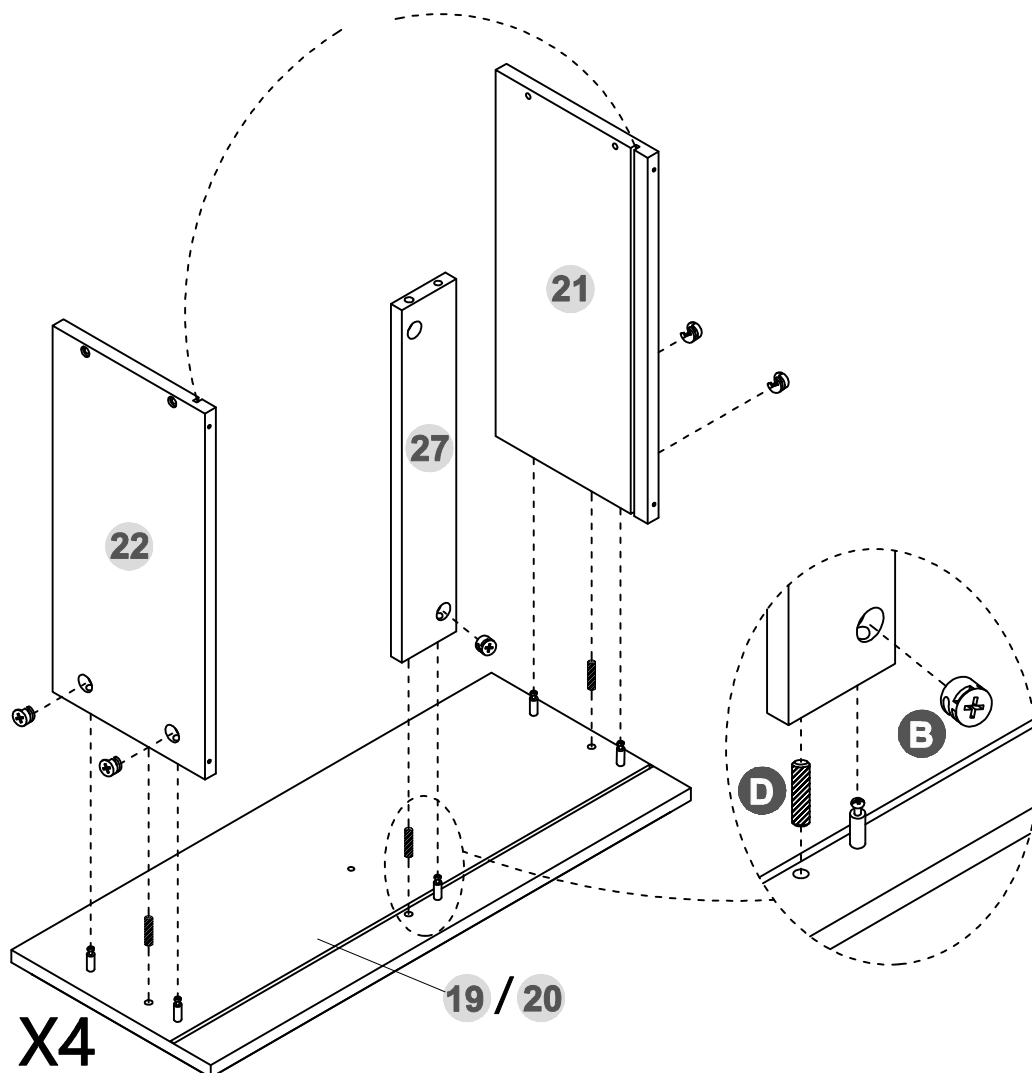


Step 1 :

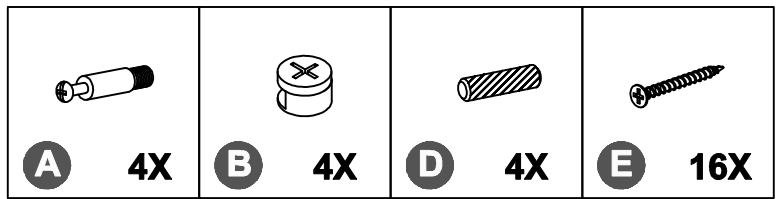


The long groove on the panel is used to install the bottom plate. Please make sure all grooves of these boards are on the same side.

Step2 :

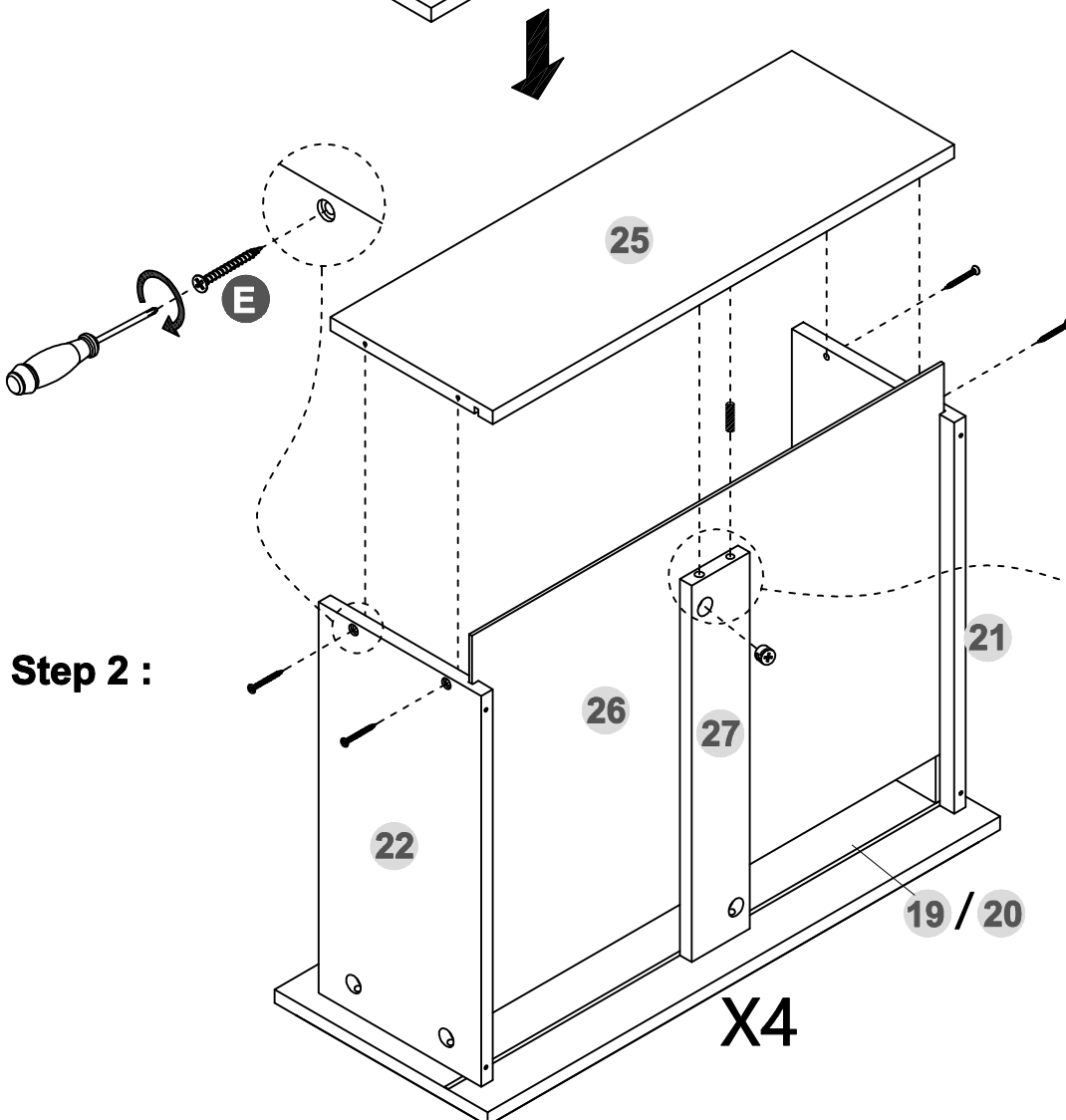
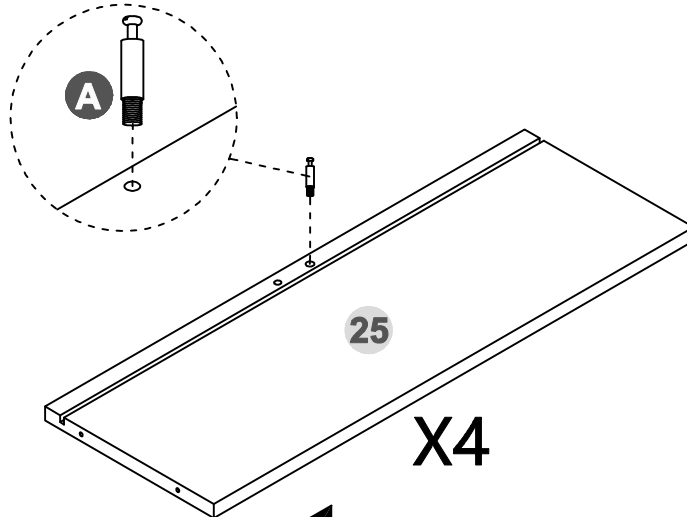


STEP 20

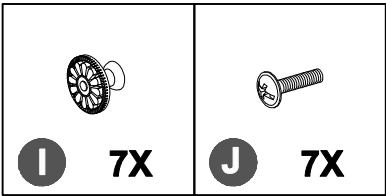


- Screw (A)&(D) to (25) as below shown
- Attach (25)&(26) to (21)&(22) as below shown
- Screw (E) to attach (21)&(22) to (25) as below shown
- Screw (B) to attach (27) to (25) as below shown

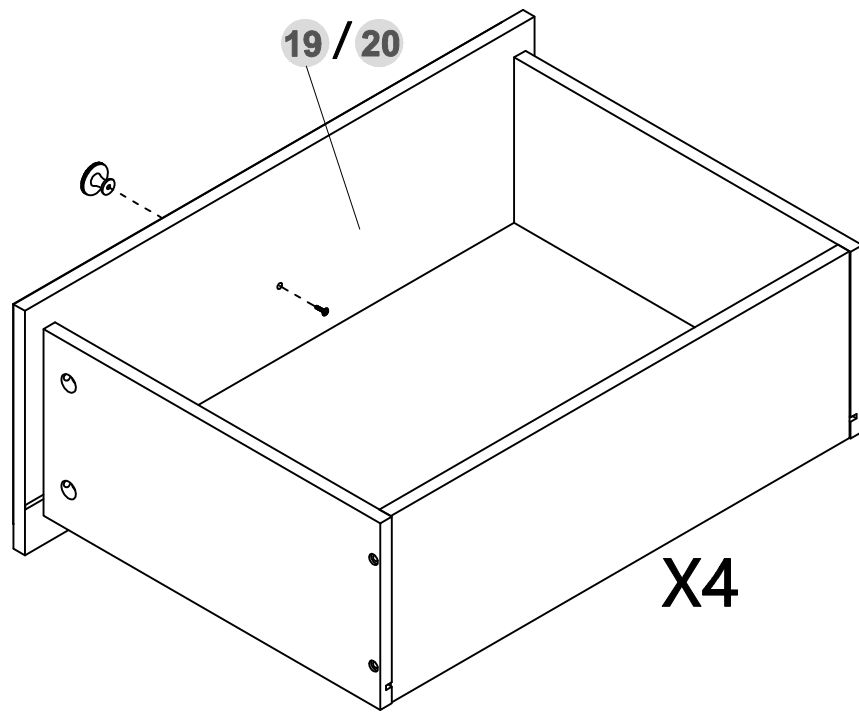
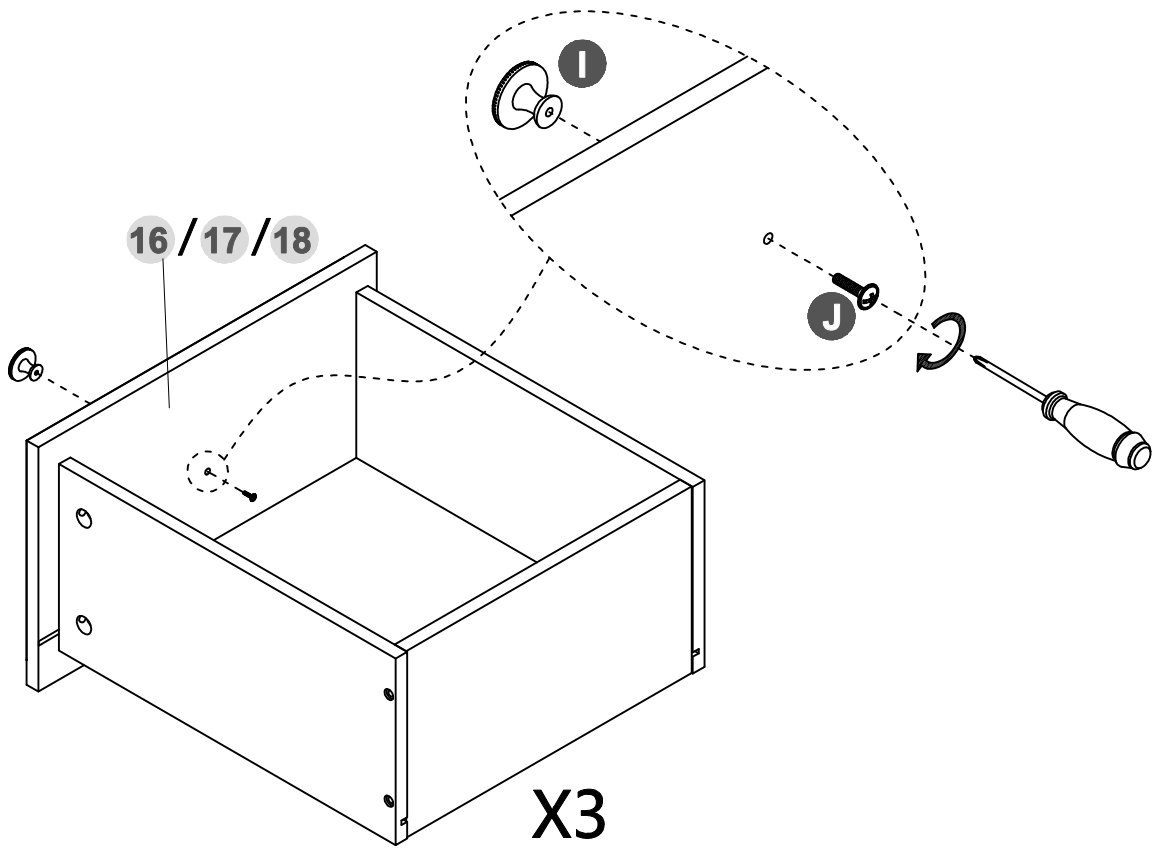
Step 1 :



STEP 21

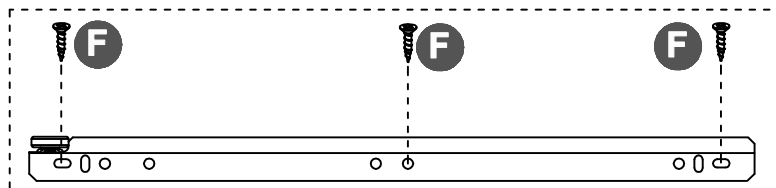
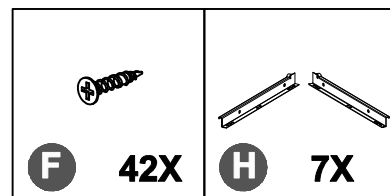


- Screw (J)&(I) to (16)&(17)&(18)&(19)&(20) as below shown

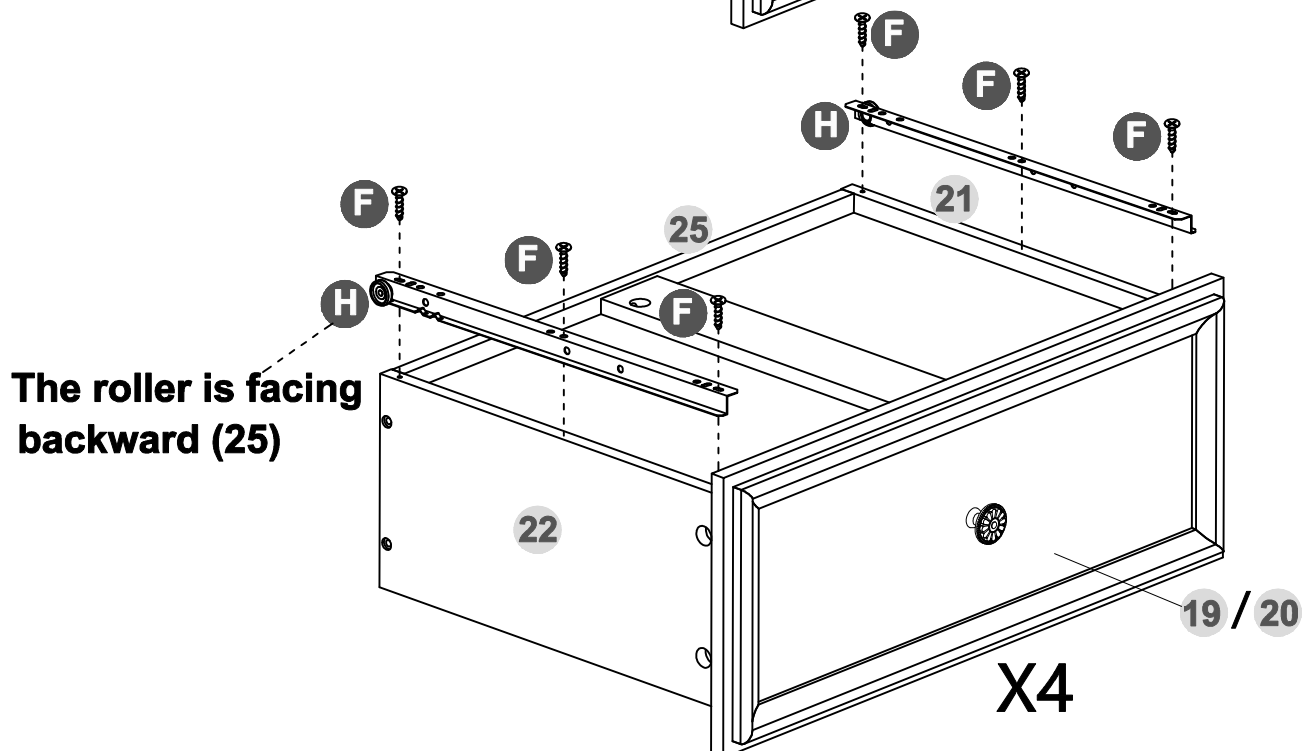
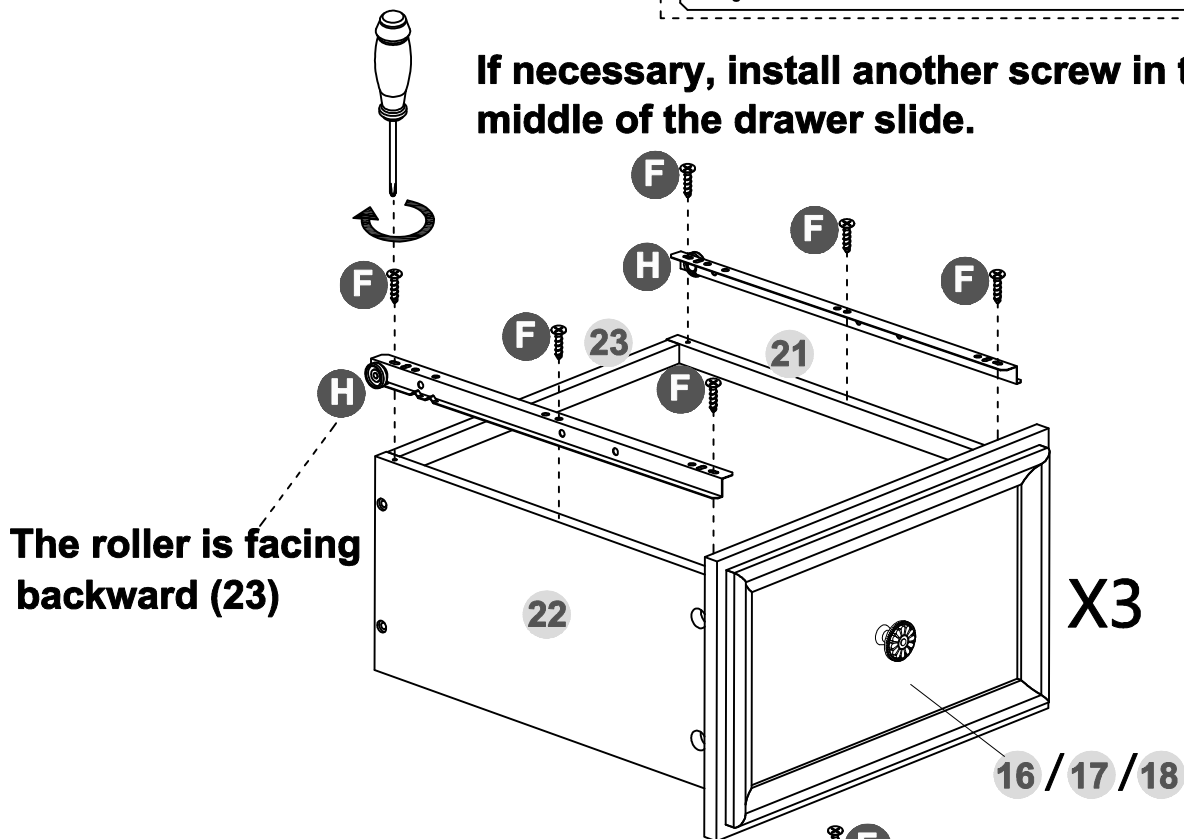


STEP 22

- Install the drawer slides (H) on the drawer side panels (21)&(22) as below shown

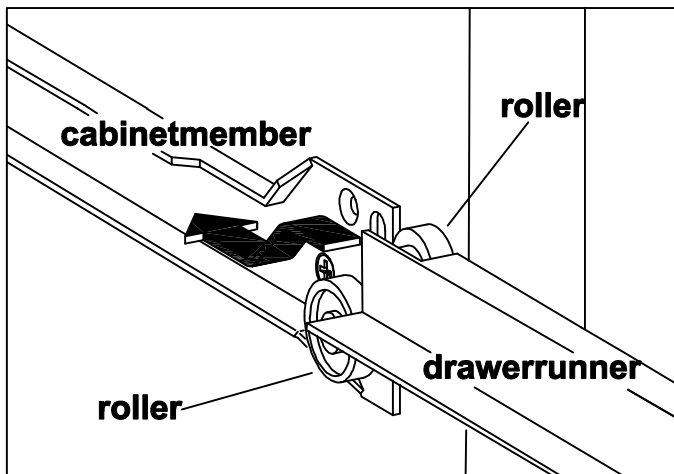
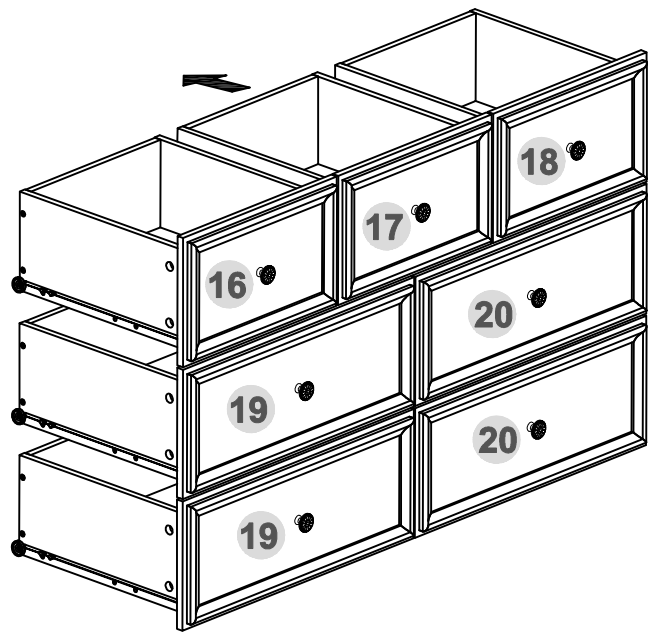
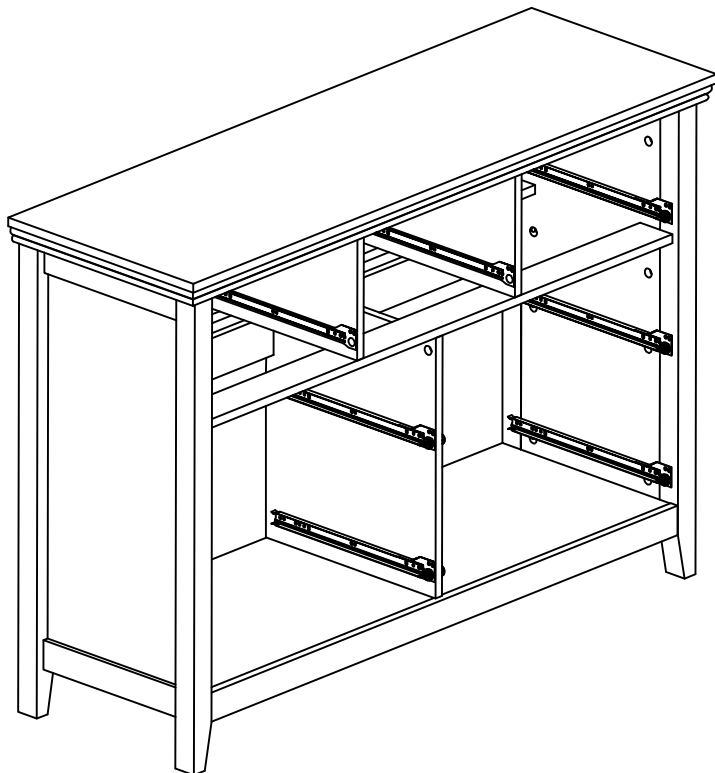


If necessary, install another screw in the middle of the drawer slide.

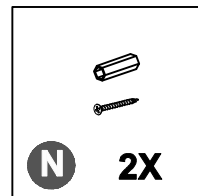
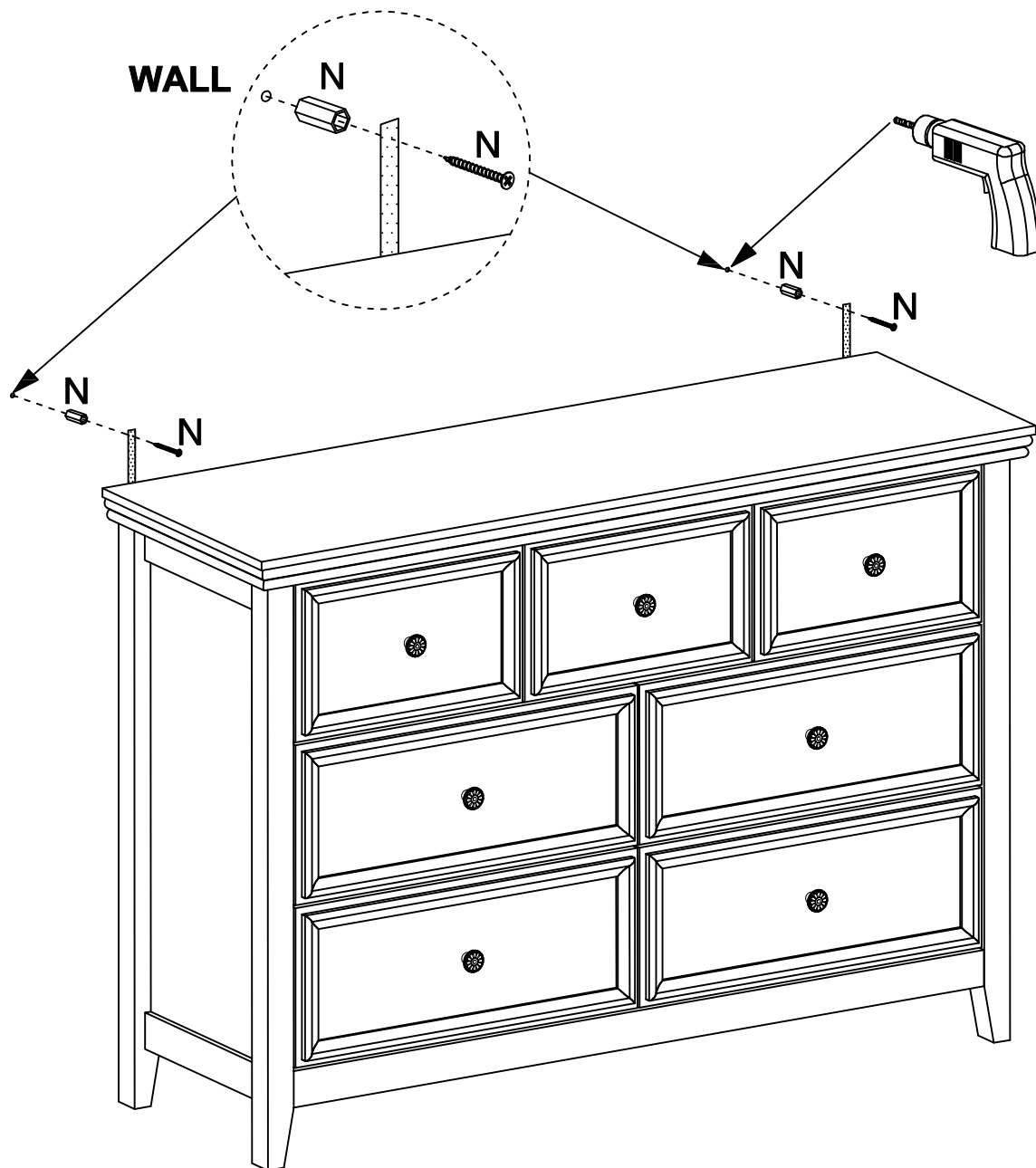


Repeat the previous step to install the remaining drawers

STEP 23



STEP 24



Tools required (not included): screwdriver, stud finder, tape measure, pencil, power drill and 3/16" drill bit.

Now, follow the guide printed on the plastic bag containing the tipping restraint hardware to attach the tip-over restraints to the unit and the wall.

NOTE: The tipping restraint hardware included is for wooden stud wall construction. it must be attached to a wall stud. depending upon your wall construction, different anchor hardware maybe required. please contact your local hardware store for assistance. young children can be seriously injured by tipping furniture. you must install the tipping restraint hardware with the unit to prevent the unit from tipping, causing any accidents or damage. the tipping restraints are intended only as a deterrent, they are not a substitute for proper adult supervision. the tipping restraints are not earthquake restraints. if you wish to add the extra security of earthquake restraints, they must be purchased and installed separately.

STEP 25

Finally, you got a 7-drawer dresser!

