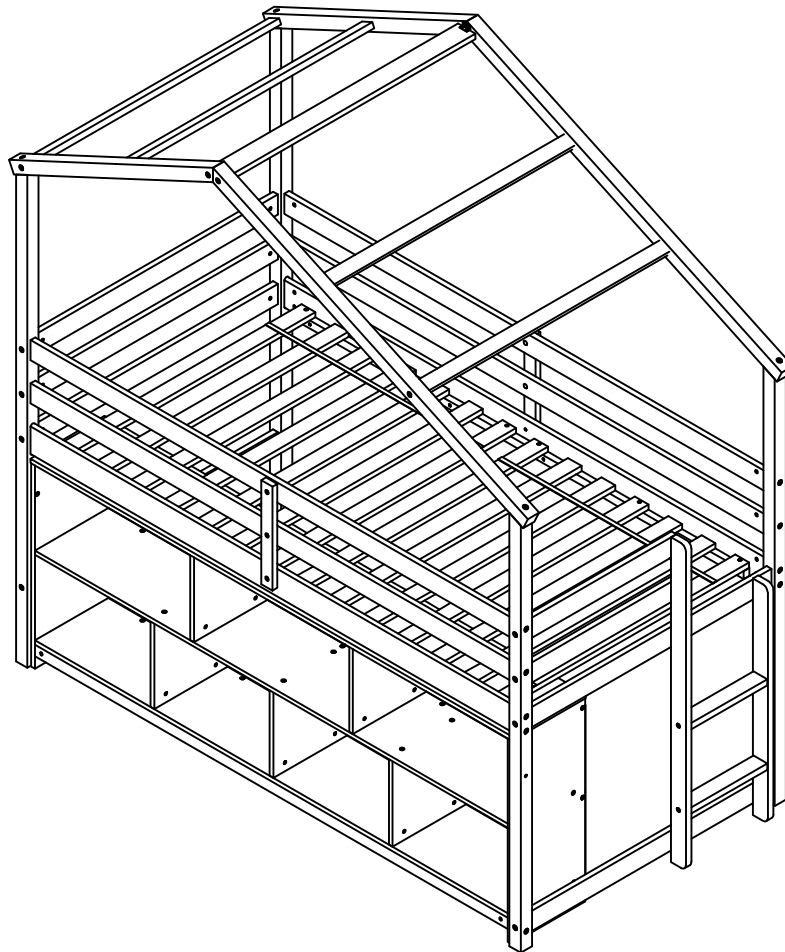


ASSEMBLY INSTRUCTIONS

TWIN HOUSE LOFT BED WITH SHELF



SA11800



SAFETY WARNING



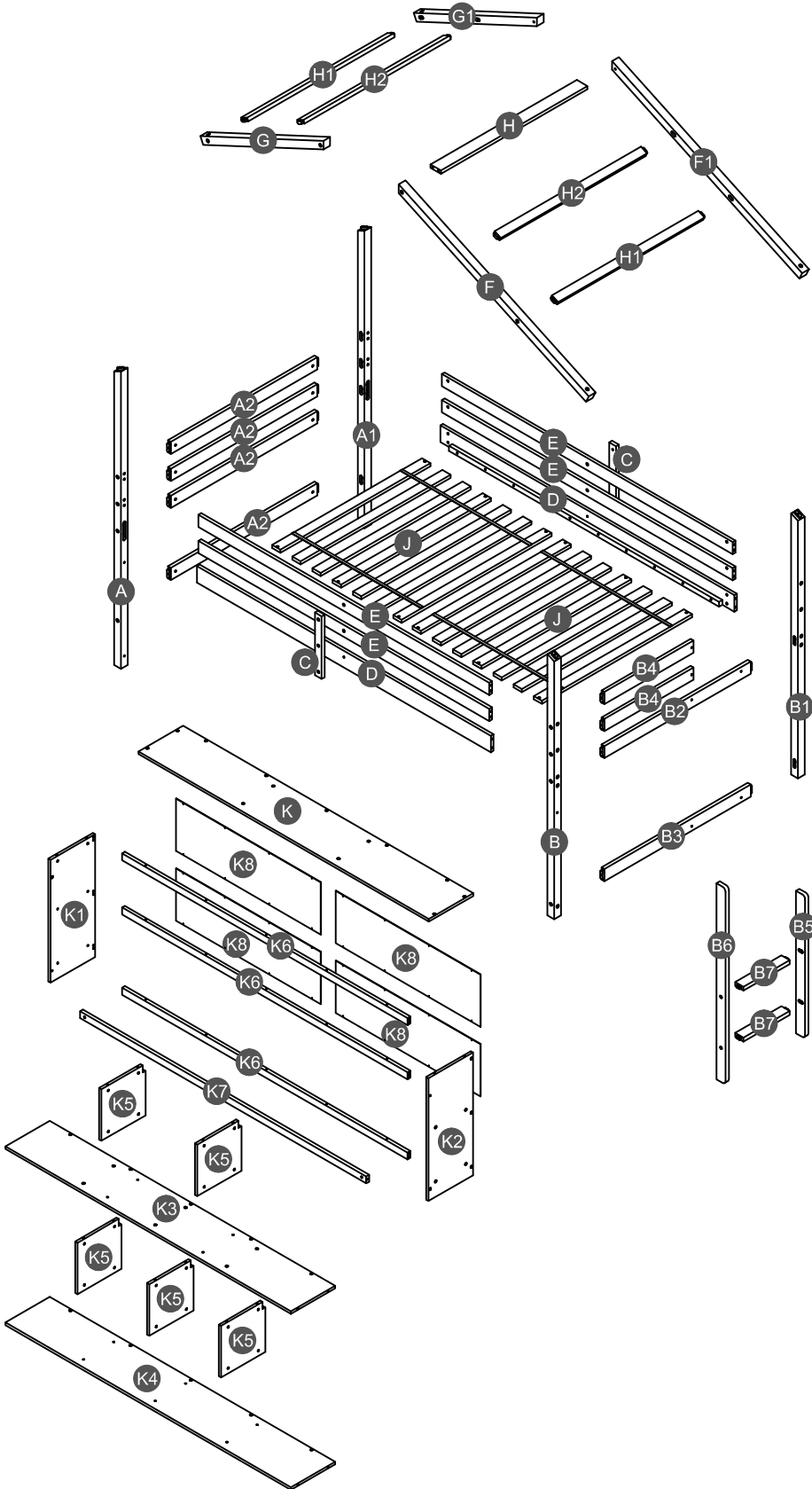
1. This bed is designed for use only mattress (es) meeting the following specifications on the upper bunk:

Up bed (Bunk bed and tribed included)

Bed type	Length	Width	Thickness
Twin Standard	74"-75"	38 1/2"	6" max


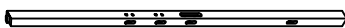
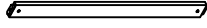
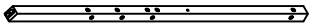
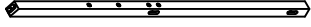
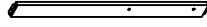


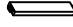


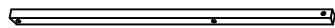
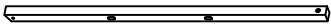
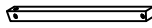

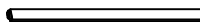
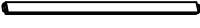
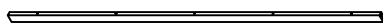

2. Replacement parts, including additional guardrails, maybe obtained from any of our dealers of GigaCloud Technology , USA /18961 ARENTH AVENUE,CITY OF INDUSTRY, CA, 91748
3. Follow the information on the warnings appearing on the upper bunk bed end structure and on the carton. Do not remove warning label from bed.
4. Always use the recommended size mattresses or mattress supports, or both, to help prevent the likelihood of entrapment or falls.
5. Surface of mattress must be at least 5" (127mm) below the upper edge of guardrails.
6. Do not allow children under 6 years of age to use the upper bunk.
7. Periodically check and ensure that the guardrail, ladder, and other components are in their proper position, free from damage, and that all connectors are tight.
8. Do not allow horseplay on or under the bed and prohibit jumping on the bed.
9. Always use the ladder for entering and leaving the upper bunk.
10. Do not use substitute part. Contact the manufacture or dealer for replacement part.
11. Use of a night light may provide added safety precaution for a child using the upper bunk.
12. Always use guardrails on both long sides of the upper bunk. If the bunk bed will be placed next to the wall, the guardrail that runs the full length of the bed should be placed against the wall to prevent entrapment between the bed and wall.
13. The use of water or sleep flotation mattresses is prohibited.
14. STRANGULATION HAZARD - Never attach or hang items to any part of the bunk bed that are not designed for use with the bed; for example, but not limited to, hook, belts and jump ropes.
15. Keep these instruction for future reference.
16. Prohibit more than one person on upper bunk
17. We recommend assembling your bunk bed on the shipping carton to protect your floor or carpet.
18. Be certain all staples are out of the box before beginning assembly on the shipping carton.

Detail View


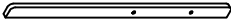

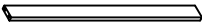
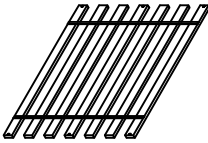


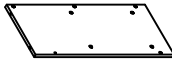
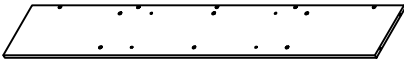

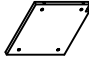
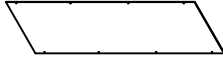


Part List

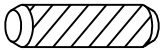
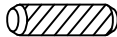

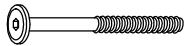
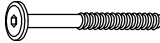





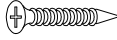



SA11800 (2-1)

<p>A</p>  <p>Leg HB (Left Front) - 1pc</p>	<p>A1</p>  <p>Leg HB (Left Back) - 1pc</p>	<p>A2</p>  <p>Horizontal bar HB - 4pcs</p>
<p>B</p>  <p>Leg FB (Right Front) - 1pc</p>	<p>B1</p>  <p>Leg FB (Right Back) - 1pc</p>	<p>B2</p>  <p>Divider horizontal bar FB - 1pc</p>
<p>B3</p>  <p>Lower horizontal bar FB - 1pc</p>	<p>B4</p>  <p>Upper horizontal bar FB - 2pcs</p>	<p>B7</p>  <p>Step ladder - 2pcs</p>
<p>D</p>  <p>Side rail - 2pcs</p>	<p>E</p>  <p>Long guard rail - 4pcs</p>	<p>F</p>  <p>Upper (Right Front) - 1pc</p>
<p>F1</p>  <p>Upper (Right Back) - 1pc</p>	<p>G</p>  <p>Upper (Left Front) - 1pc</p>	<p>G1</p>  <p>Upper (Left Back) - 1pc</p>
<p>H1</p>  <p>Upper (Left/Right) - 2pcs</p>	<p>H2</p>  <p>Upper (Left/Right) - 2pcs</p>	<p>K6</p>  <p>Horizontal bar (Back) - 3pcs</p>
<p>K7</p>  <p>Lower horizontal bar (Front) - 1pc</p>		

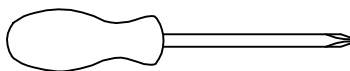
SA11800 (2-2) + Hardware inside

<div style="border: 1px solid black; padding: 2px; display: inline-block;">B5</div>  <p>Right side ladder -1pc</p>	<div style="border: 1px solid black; padding: 2px; display: inline-block;">B6</div>  <p>Left side ladder -1pc</p>	<div style="border: 1px solid black; padding: 2px; display: inline-block;">C</div>  <p>Vertical guard rail - 2pcs</p>
<div style="border: 1px solid black; padding: 2px; display: inline-block;">H</div>  <p>Divider horizontal bar - 1pc</p>	<div style="border: 1px solid black; padding: 2px; display: inline-block;">J</div>  <p>Slat (2Sets = 7pcs/set)</p>	<div style="border: 1px solid black; padding: 2px; display: inline-block;">K</div>  <p>Top panel - 1pc</p>
<div style="border: 1px solid black; padding: 2px; display: inline-block;">K1</div>  <p>Side panel (Left) - 1pc</p>	<div style="border: 1px solid black; padding: 2px; display: inline-block;">K2</div>  <p>Side panel (Right) - 1pc</p>	<div style="border: 1px solid black; padding: 2px; display: inline-block;">K3</div>  <p>Shelf panel - 1pc</p>
<div style="border: 1px solid black; padding: 2px; display: inline-block;">K4</div>  <p>Bottom panel - 1pc</p>	<div style="border: 1px solid black; padding: 2px; display: inline-block;">K5</div>  <p>Divider panel - 5pcs</p>	<div style="border: 1px solid black; padding: 2px; display: inline-block;">K8</div>  <p>Back panel - 4pcs</p>

Hardware List SA11800 (2-2)



1  Ø10*40mm Wood dowel (8pcs)	2  Ø8*30mm Wood dowel (6pcs)	3  (Ø15)1/4"*100mm Hex-Head bolts (18pcs)
4  (Ø15)1/4"*80mm Hex-Head bolts (22pcs)	5  (Ø12)1/4"*60mm Hex-Head bolts (44pcs)	6  (Ø12)1/4"*40mm Hex-Head bolts (6pcs)
7  (Ø12)1/4"*30mm Hex-Head bolts (6pcs)	8  1/4"*15 (9.5mm) Horizontal-Hole bolts (82pcs)	9  (Ø12)1/4"*65mm Hex-Head bolts (4pcs)
10  (Ø12)1/4"*40mm Hex-Head bolts (15pcs)	11  Ø4*30mm Wood screws (12pcs)	12  Ø3.5*15mm Wood screws (40pcs)
13  (1/4")4.5*58mm Allen key (1pc)	14  40*18*18*1.6mm Metal bracket (2pcs)	

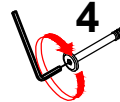
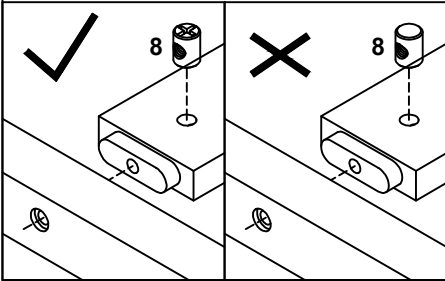
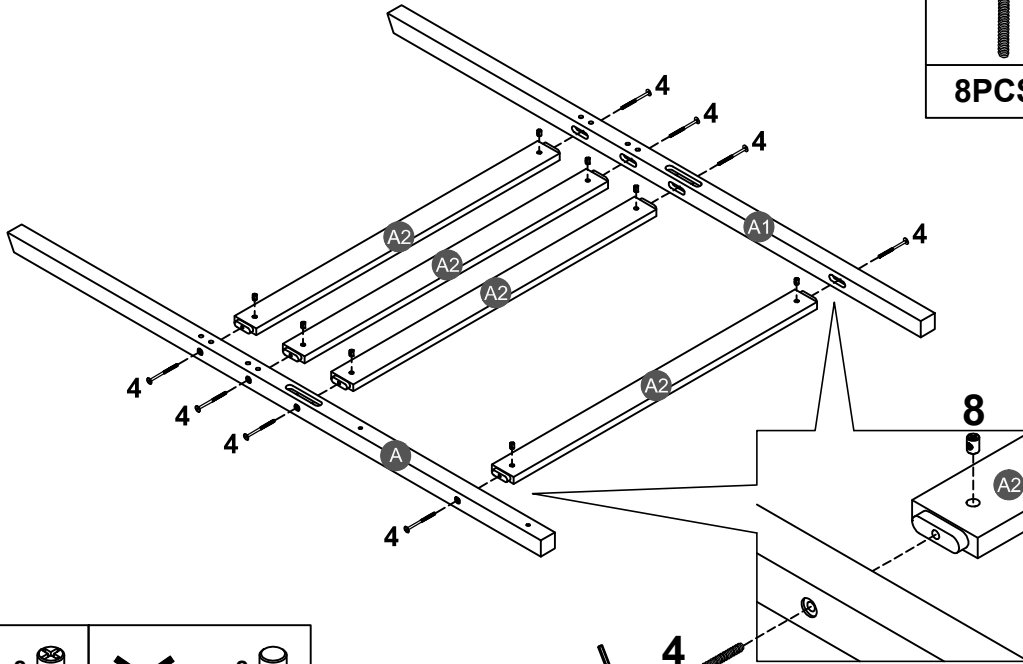
ASSEMBLY TOOLS REQUIRED (NOT INCLUDED)



PLEASE BE CAREFUL DO NOT DAMAGE THE HOLE POSITION WHEN YOU USE POWER TOOLS !



STEP 1:

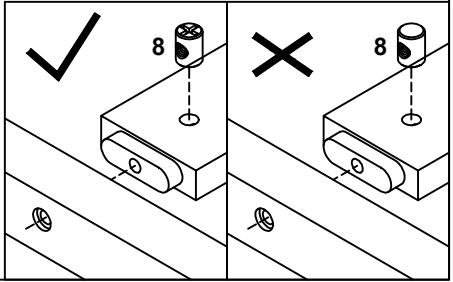
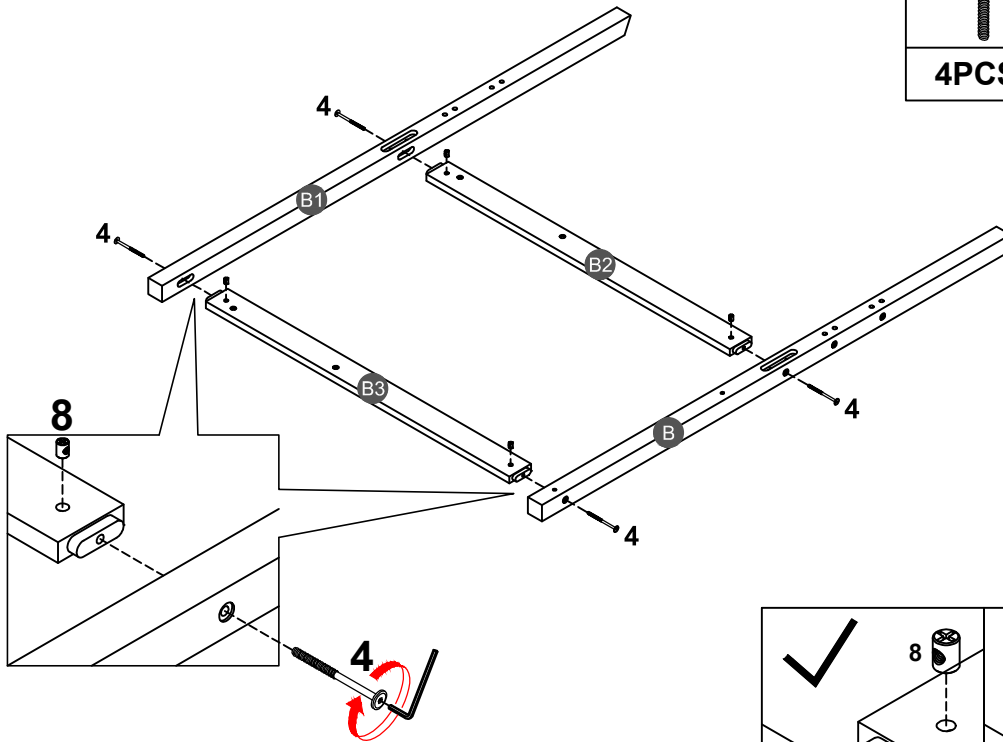
4		8	
8PCS		8PCS	



Note: Part 8 will face up with the "x" mark on it, otherwise it cannot be tightened

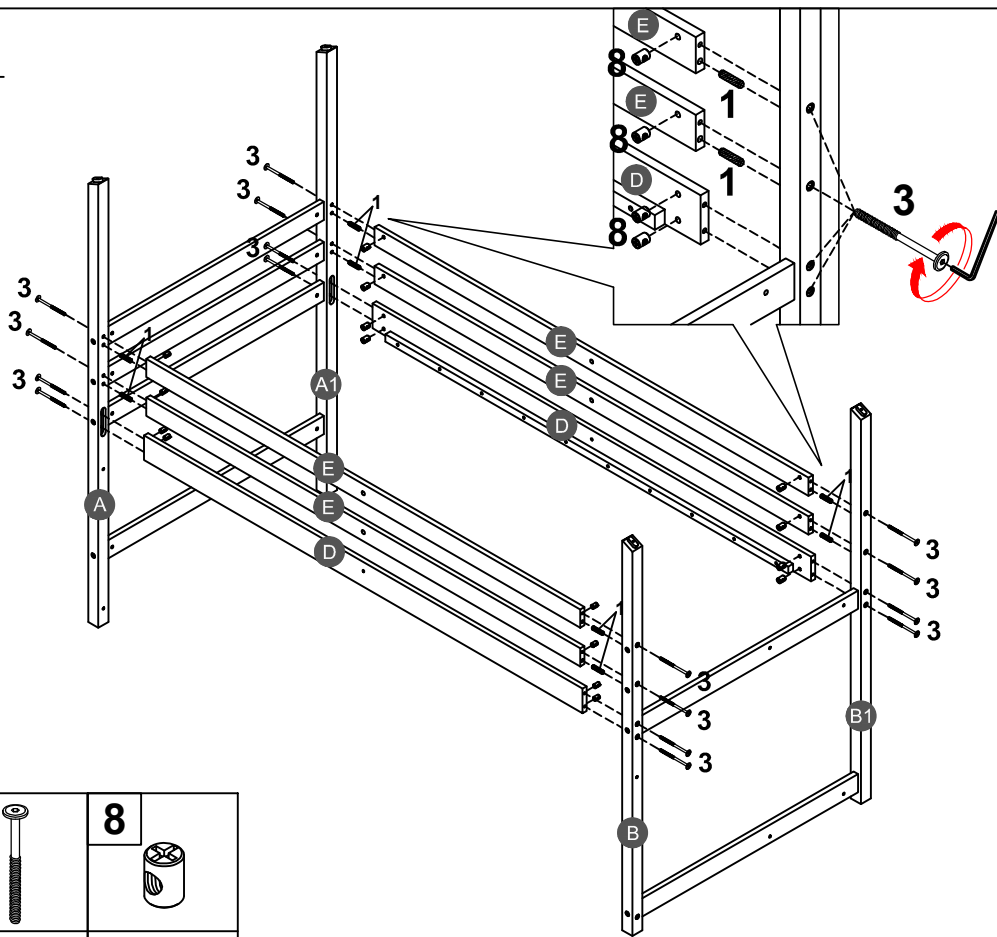
STEP 2:




4		8	
4PCS		4PCS	




Note: Part 8 will face up with the "x" mark on it, otherwise it cannot be tightened

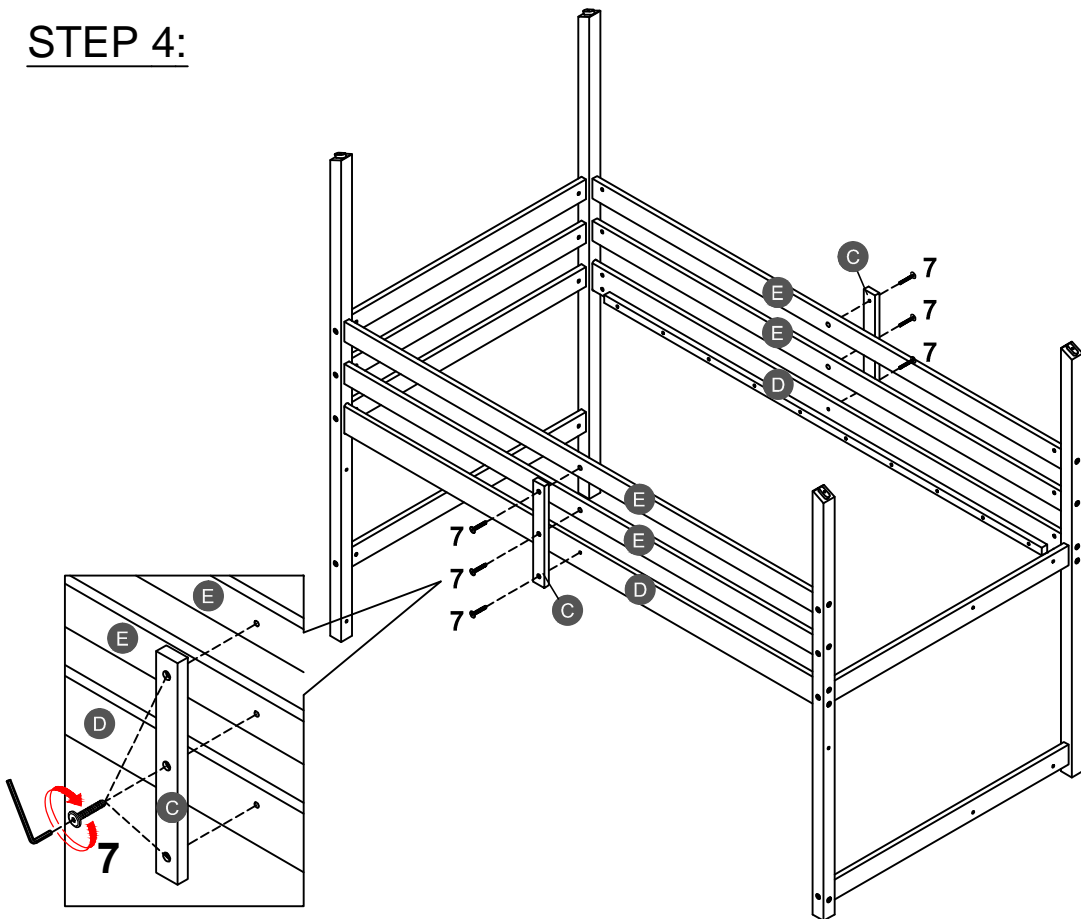
STEP 3:



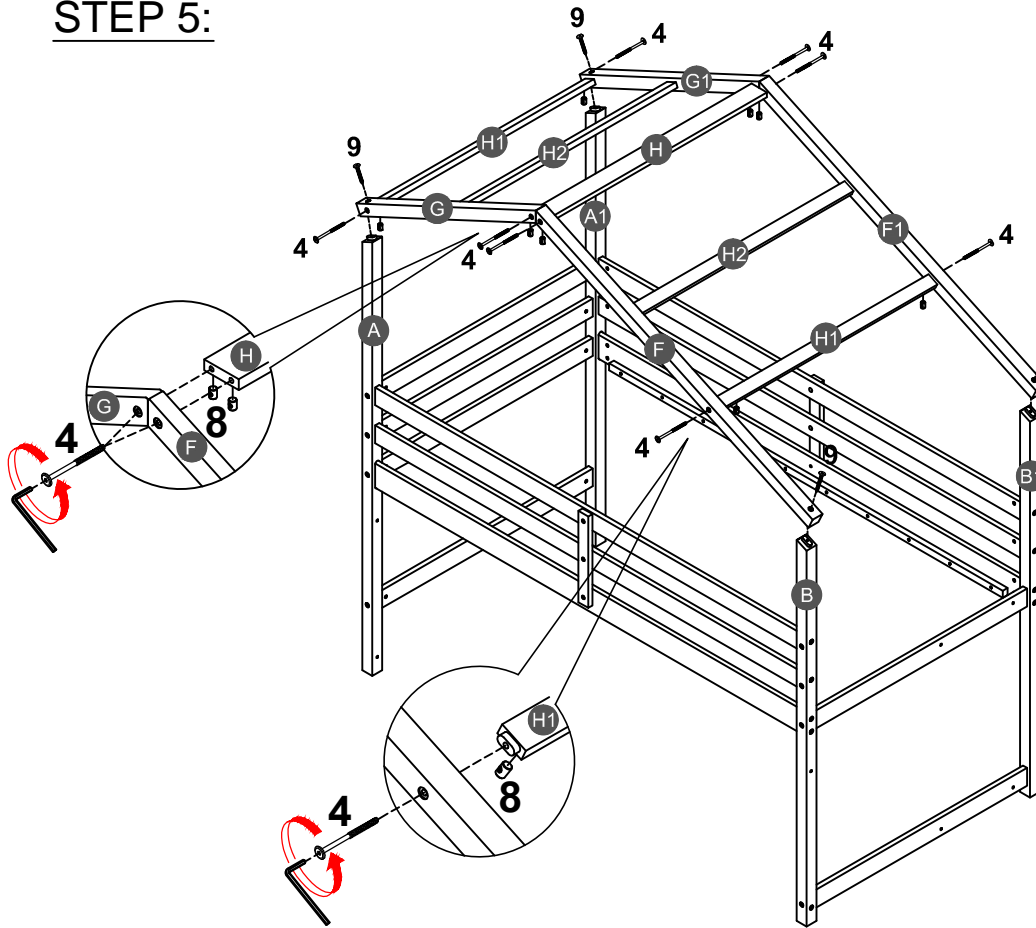
1		3		8	
8PCS		16PCS		16PCS	

STEP 4:

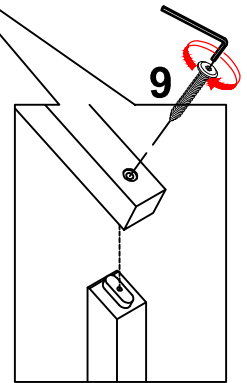
7	
6PCS	



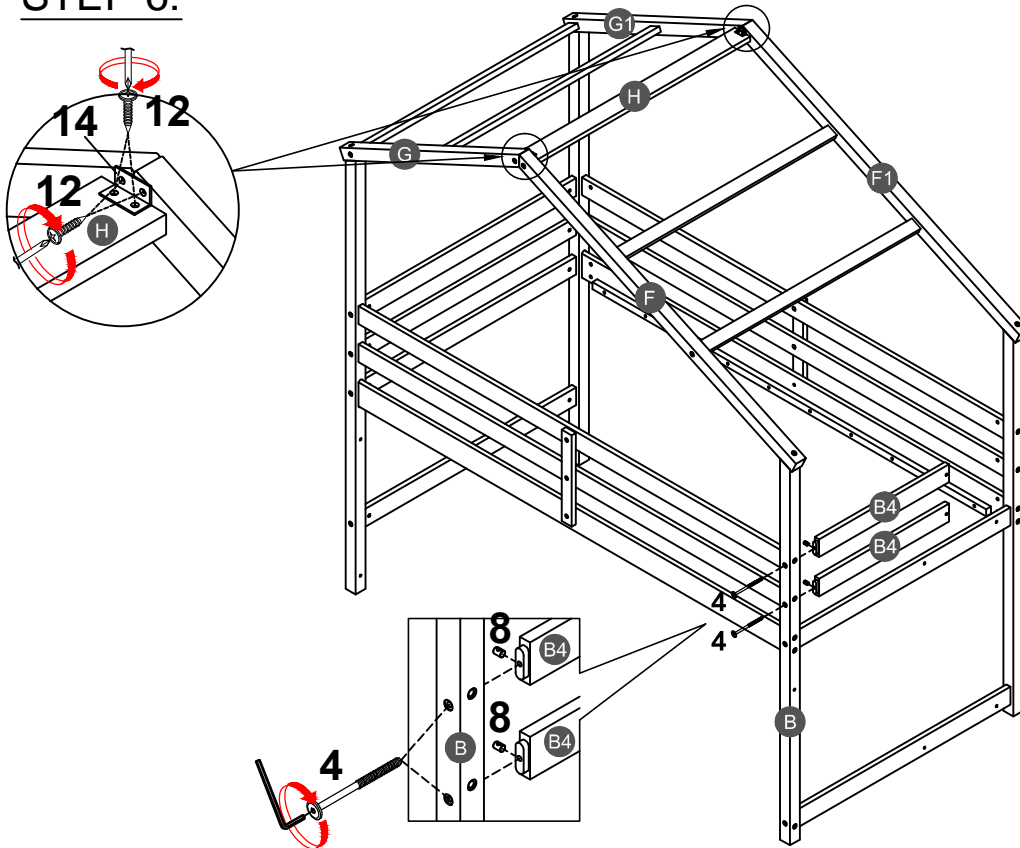
STEP 5:



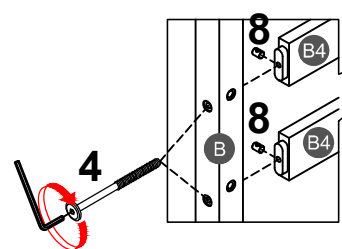
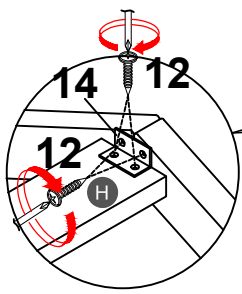
4		8	
8PCS		8PCS	
		9	
		4PCS	



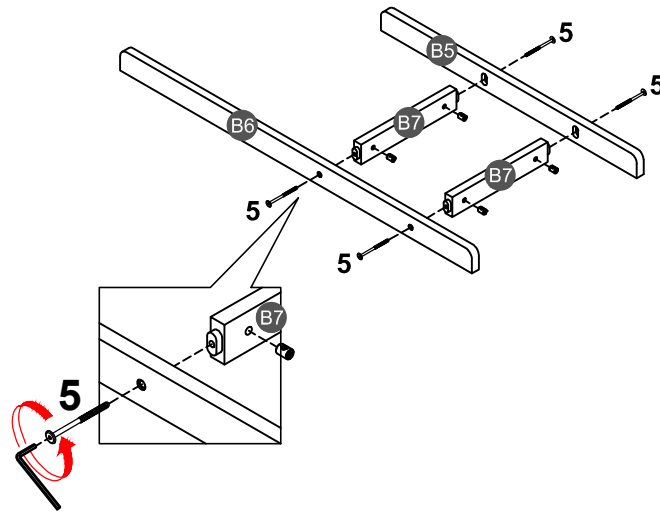
STEP 6:





4		8	
2PCS		2PCS	
		12	
		8PCS	
		14	
		2PCS	

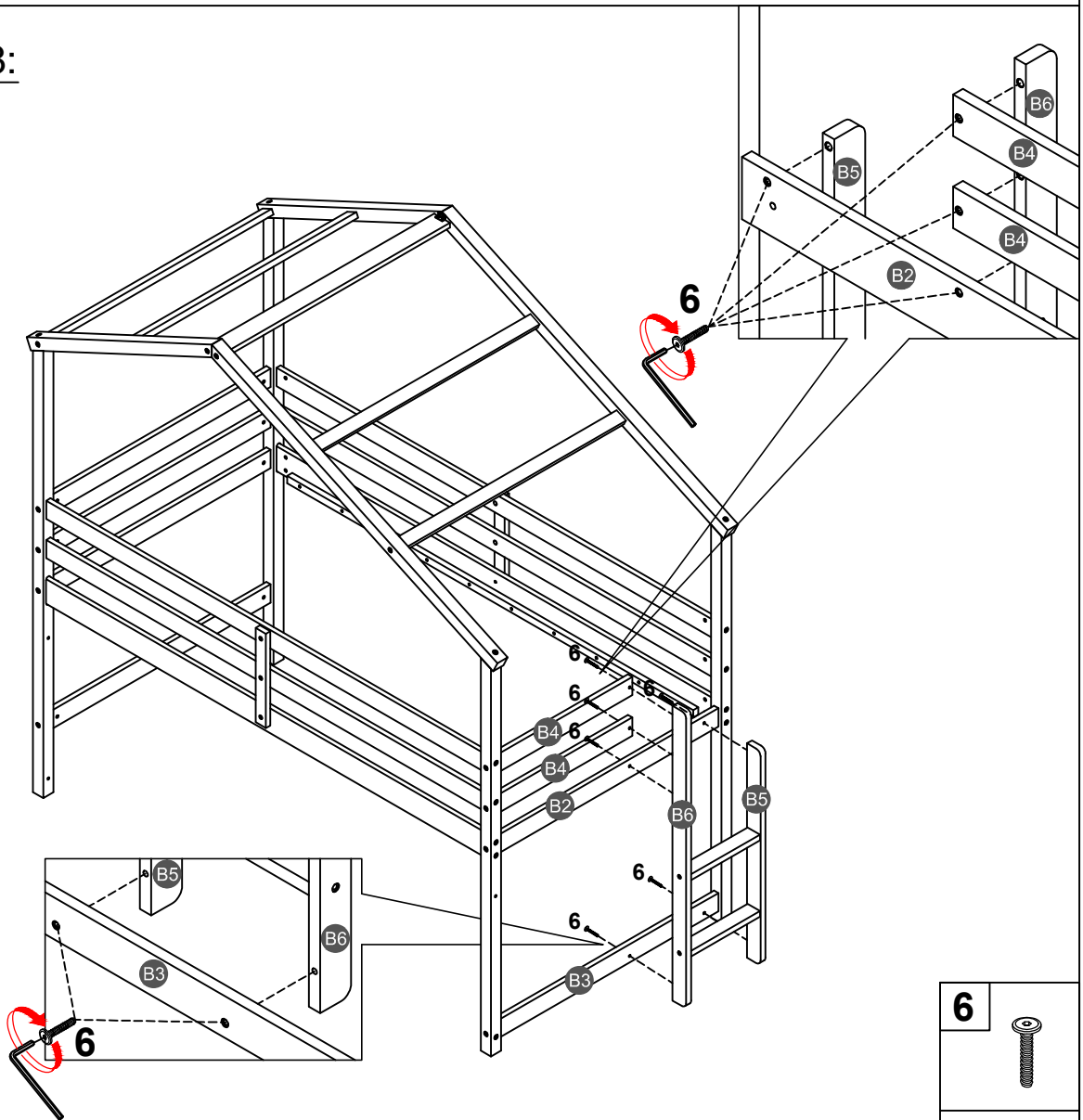



STEP 7:



5		8	
4PCS		4PCS	

STEP 8:



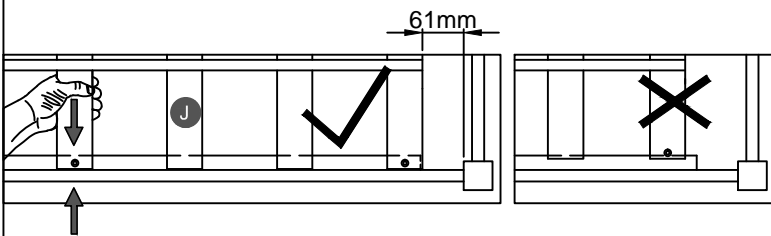
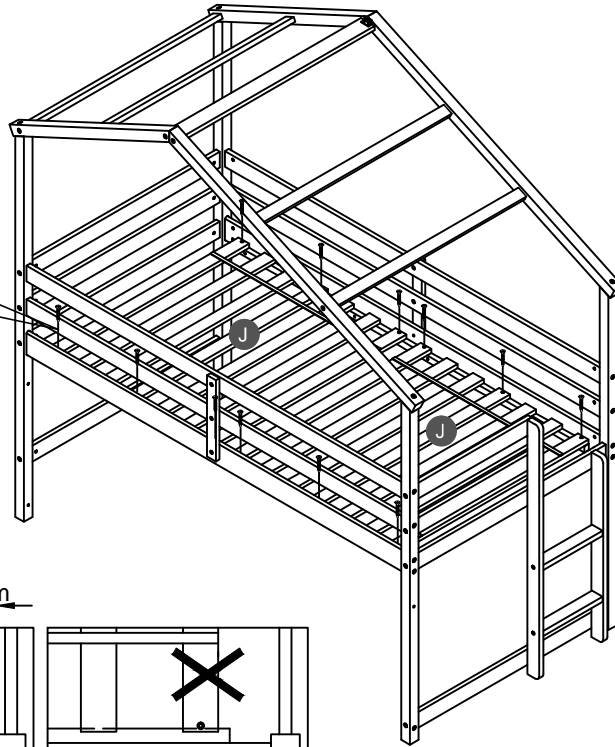
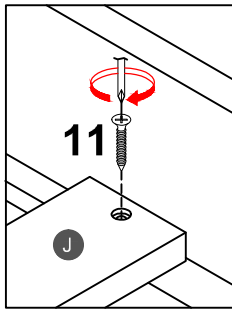
6	
6PCS	

STEP 9:

11



12PCS



NOTE: Please make sure the bed slats close to the side rail before locking the screws to avoid breakage. This step is required for both the left and right sides. Moreover, please do not lock the screws of the bed slats at the outermost edge to avoid damaging.

STEP 10:

2



6PCS

5

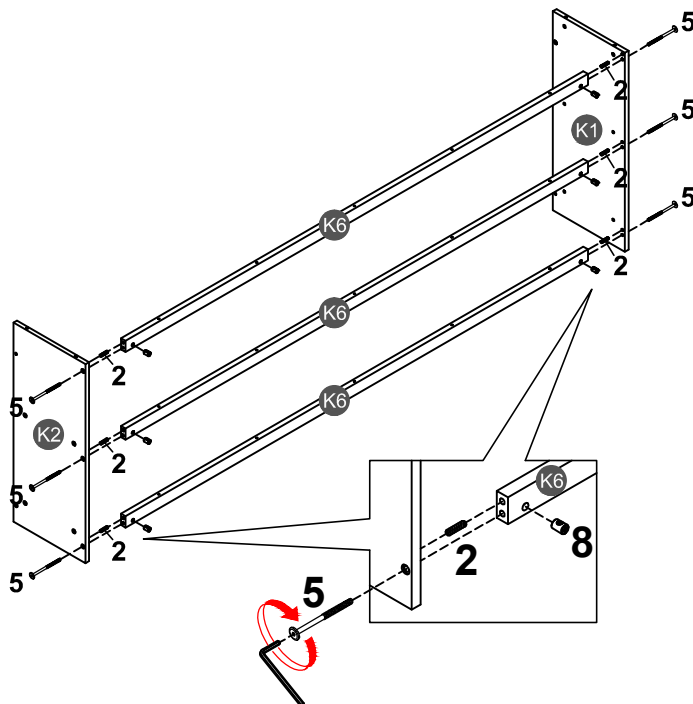


6PCS



8

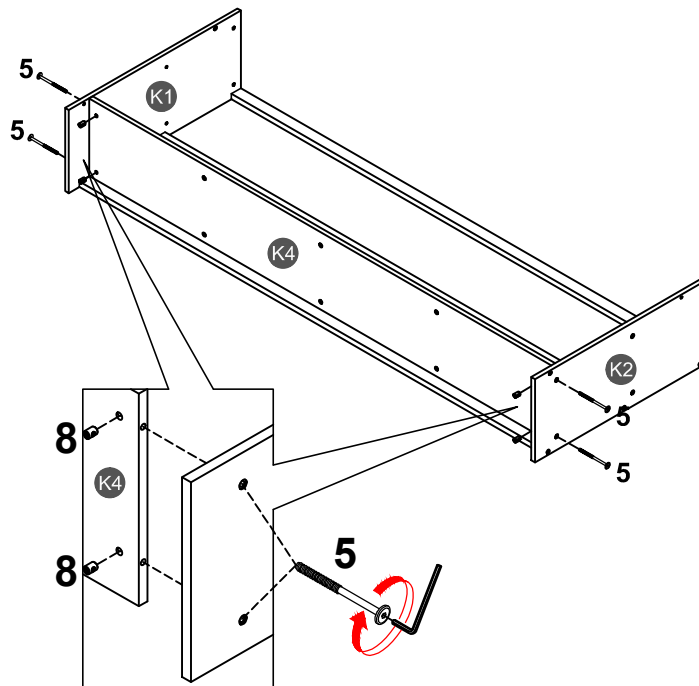


6PCS




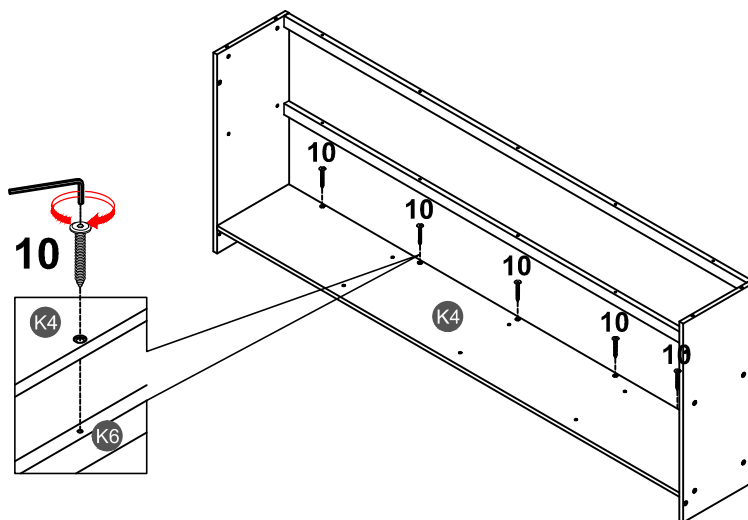
STEP 11:

5		8	
4PCS		4PCS	





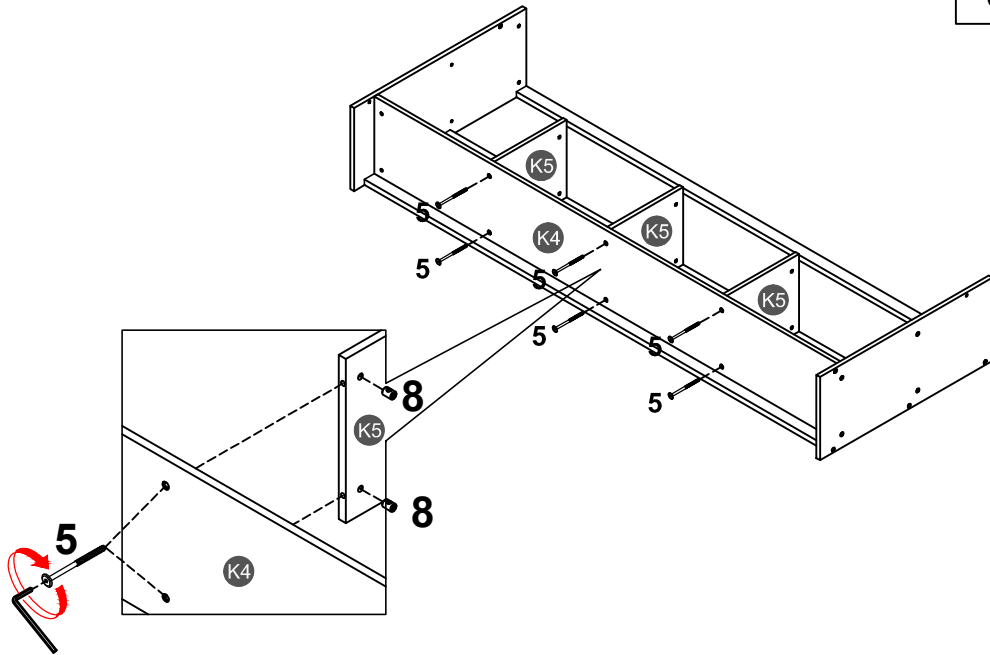
STEP 12:

10	
5PCS	






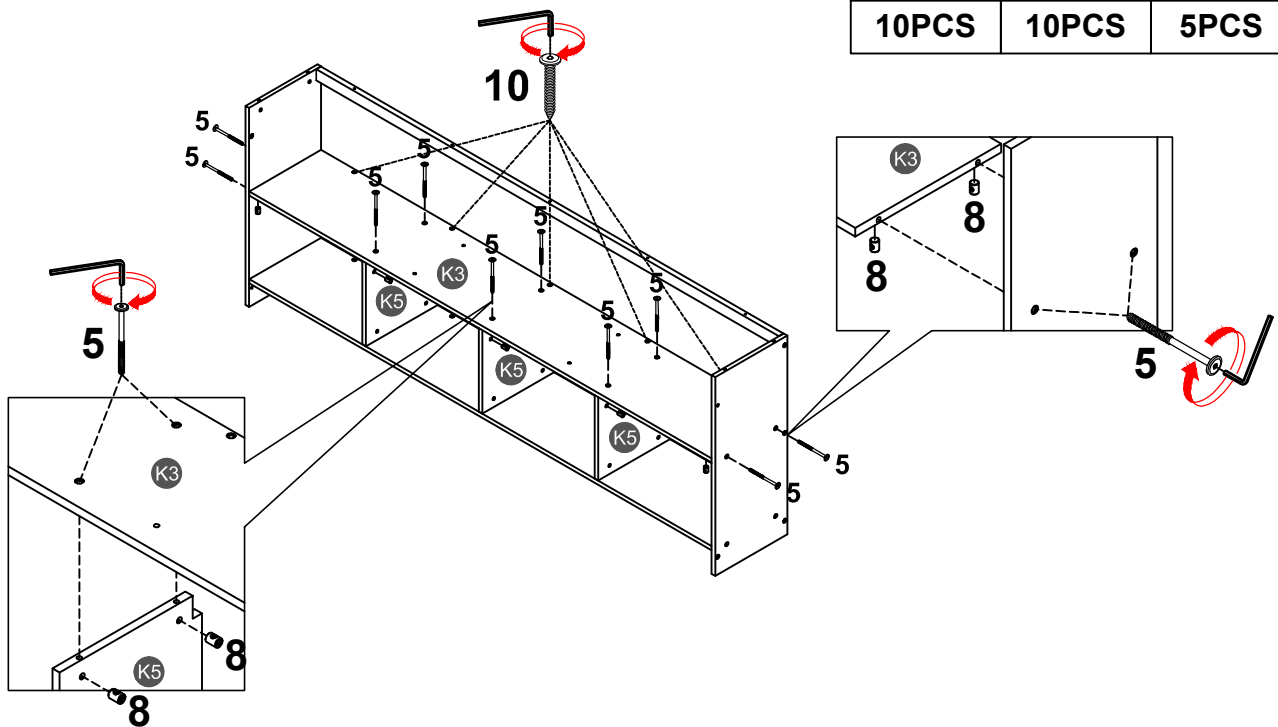
STEP 13:

5		8	
6PCS		6PCS	





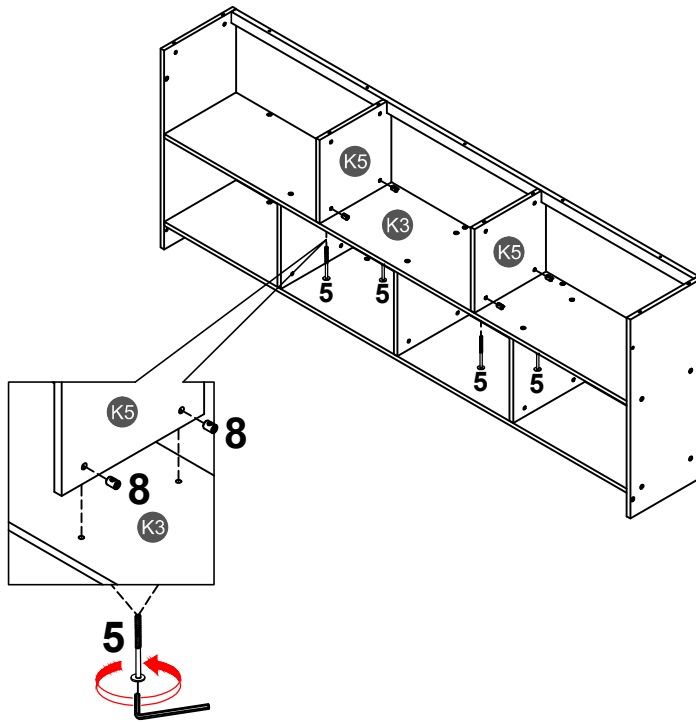
STEP 14:

5		8		10	
10PCS		10PCS		5PCS	






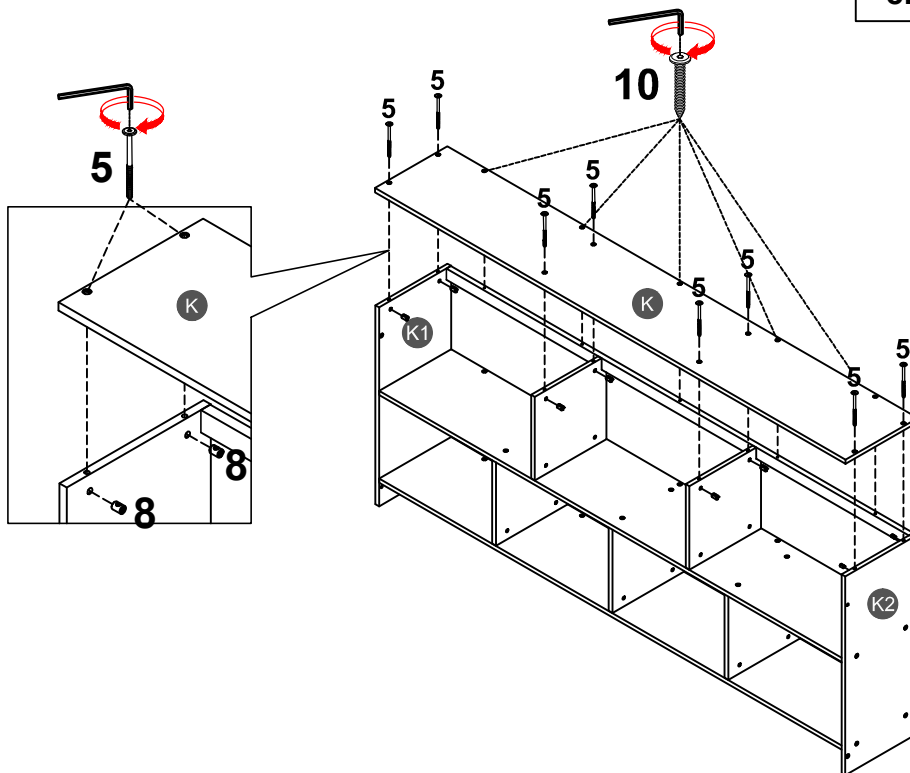
STEP 15:

5		8	
4PCS		4PCS	



STEP 16:

5		8		10	
8PCS		8PCS		5PCS	

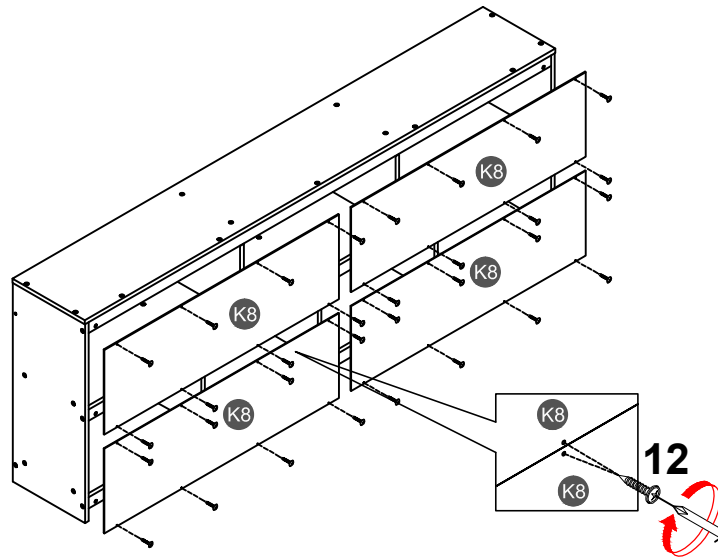


STEP 17:

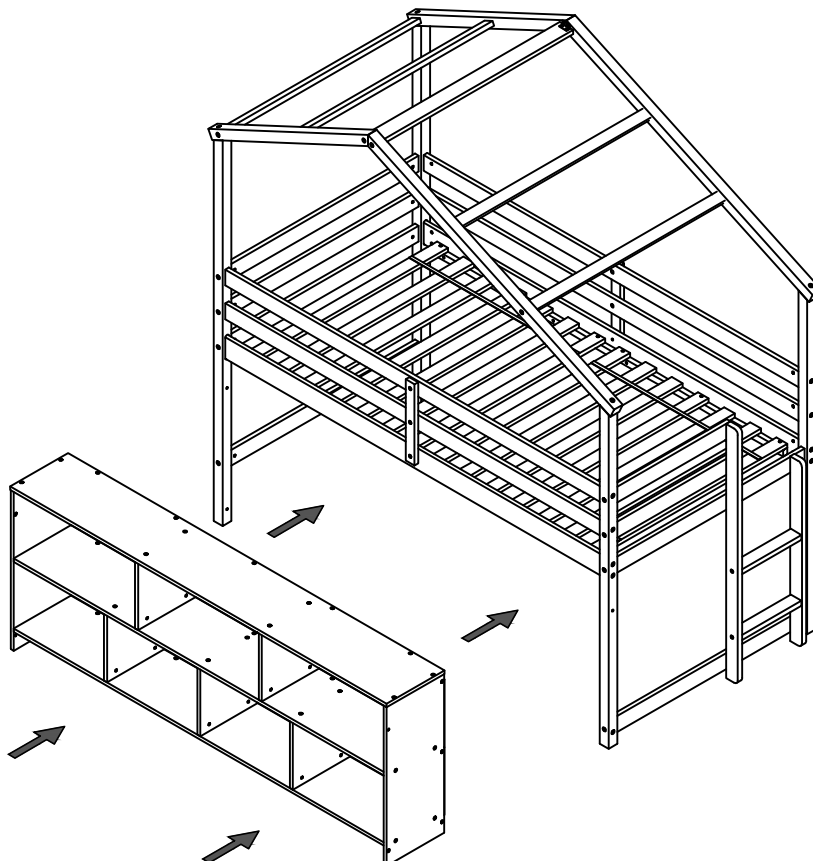
12






32PCS



STEP 18:



STEP 19:

3		5	
2PCS		2PCS	
		8	
		2PCS	

