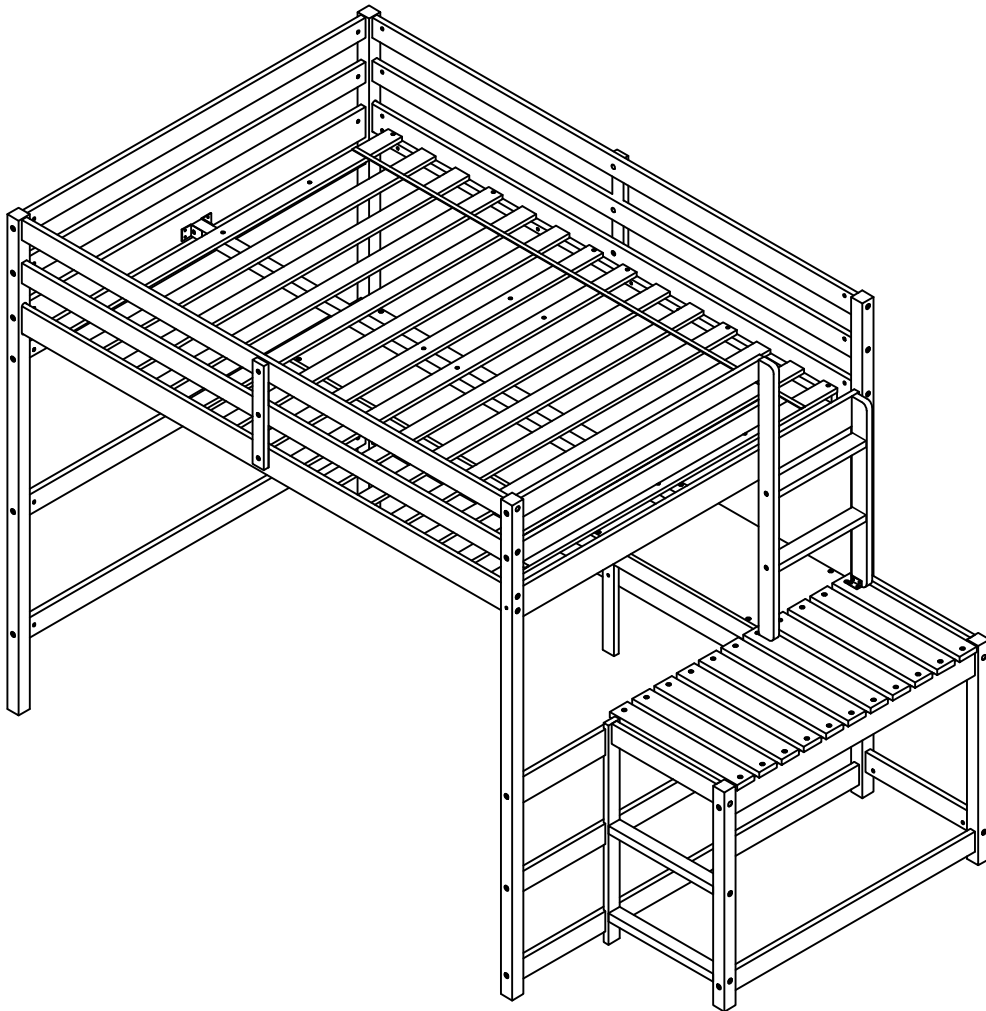


ASSEMBLY INSTRUCTIONS

FULL LOFT BED WITH PLATFORM



SA11794



SAFETY WARNING



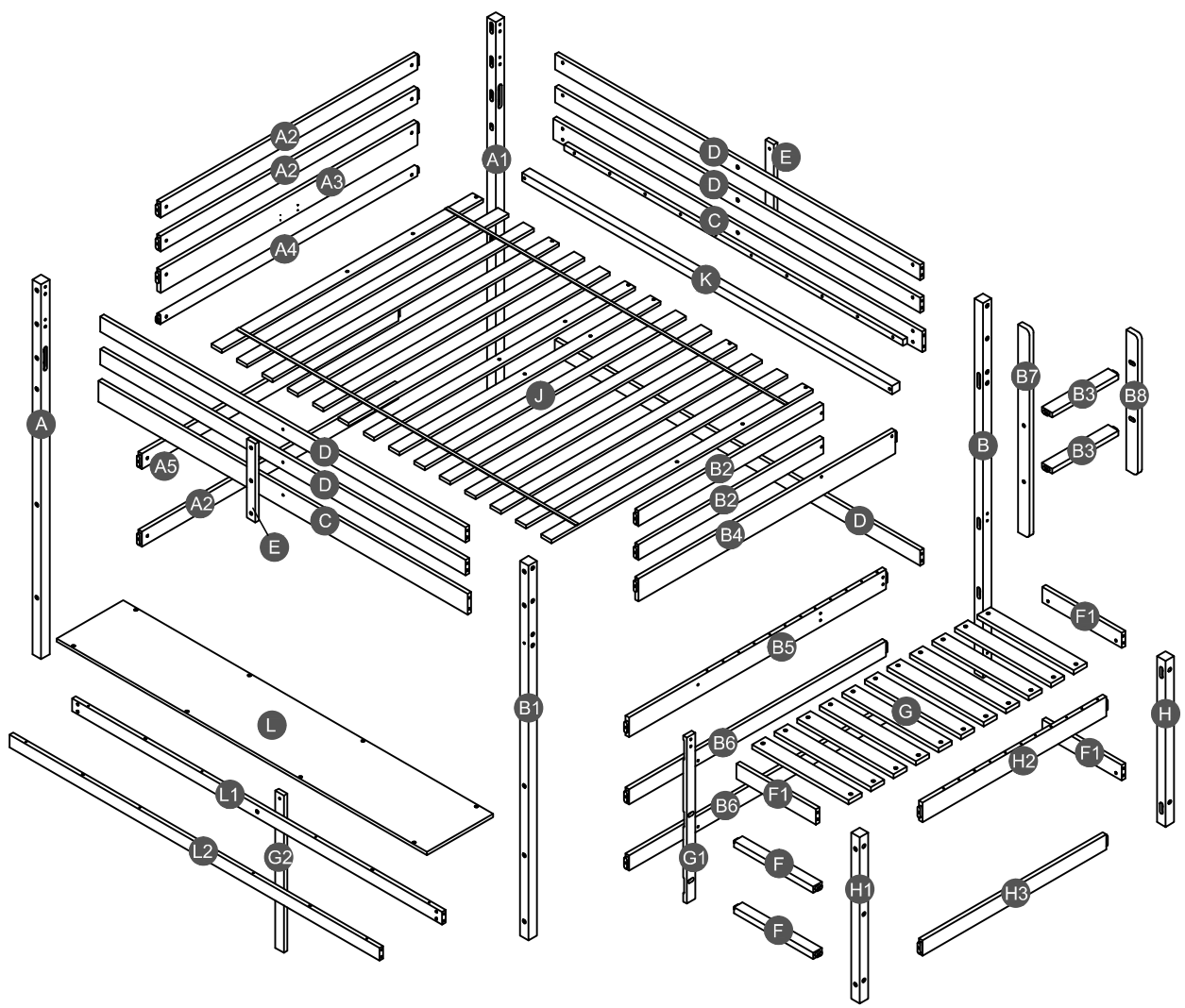
1. This bed is designed for use only mattress (es) meeting the following specifications on the upper bunk:

Up bed (Bunk bed and tribed included)

Bed type	Length	Width	Thickness
Full Standard	74"-75"	54"	6" max

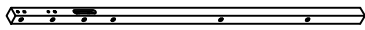
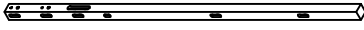
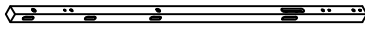
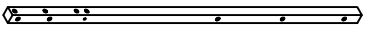


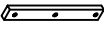
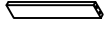
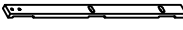
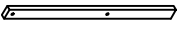
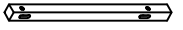
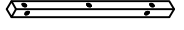

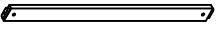
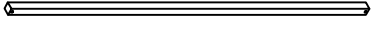

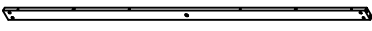
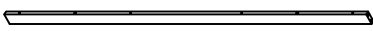
2. Replacement parts, including additional guardrails, maybe obtained from any of our dealers of GigaCloud Technology , USA /18961 ARENTH AVENUE,CITY OF INDUSTRY, CA, 91748
3. Follow the information on the warnings appearing on the upper bunk bed end structure and on the carton. Do not remove warning label from bed.
4. Always use the recommended size mattresses or mattress supports, or both, to help prevent the likelihood of entrapment or falls.
5. Surface of mattress must be at least 5" (127mm) below the upper edge of guardrails.
6. Do not allow children under 6 years of age to use the upper bunk.
7. Periodically check and ensure that the guardrail, ladder, and other components are in their proper position, free from damage, and that all connectors are tight.
8. Do not allow horseplay on or under the bed and prohibit jumping on the bed.
9. Always use the ladder for entering and leaving the upper bunk.
10. Do not use substitute part. Contact the manufacture or dealer for replacement part.
11. Use of a night light may provide added safety precaution for a child using the upper bunk.
12. Always use guardrails on both long sides of the upper bunk. If the bunk bed will be placed next to the wall, the guardrail that runs the full length of the bed should be placed against the wall to prevent entrapment between the bed and wall.
13. The use of water or sleep flotation mattresses is prohibited.
14. STRANGULATION HAZARD - Never attach or hang items to any part of the bunk bed that are not designed for use with the bed; for example, but not limited to, hook, belts and jump ropes.
15. Keep these instruction for future reference.
16. Prohibit more than one person on upper bunk
17. We recommend assembling your bunk bed on the shipping carton to protect your floor or carpet.
18. Be certain all staples are out of the box before beginning assembly on the shipping carton.

Detail View


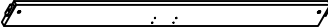
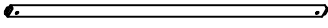
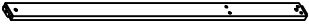
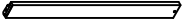
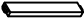


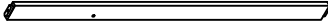
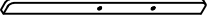
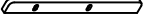
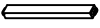
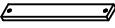
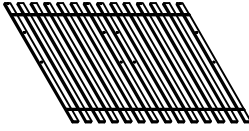


Part List

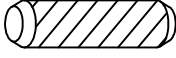
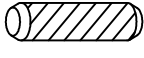
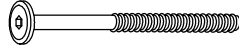
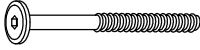
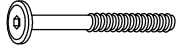







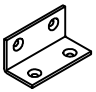

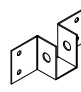
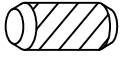
SA11794 (2-1)

<p>A</p>  <p>Leg HB (Left front) - 1pc</p>	<p>A1</p>  <p>Leg HB (Left back) - 1pc</p>	<p>B</p>  <p>Leg FB (Right back) - 1pc</p>
<p>B1</p>  <p>Leg FB (Right front) - 1pc</p>	<p>C</p>  <p>Side rail - 2pcs</p>	<p>D</p>  <p>Long guard rail - 5pcs</p>
<p>E</p>  <p>Vertical guard rail - 2pcs</p>	<p>F1</p>  <p>Horizontal bar (Front/Back) - 3pcs</p>	<p>G1</p>  <p>Support vertical bar (Front) - 1pc</p>
<p>G2</p>  <p>Support vertical bar (Back) - 1pc</p>	<p>H</p>  <p>Leg (Back) - 1pc</p>	<p>H1</p>  <p>Leg (Front) - 1pc</p>
<p>H2</p>  <p>Upper horizontal bar - 1pc</p>	<p>H3</p>  <p>Lower horizontal bar - 1pc</p>	<p>K</p>  <p>Lower support slat - 1pc</p>
<p>L</p>  <p>Top panel - 1pc</p>	<p>L1</p>  <p>Lower horizontal bar (Back) - 1pc</p>	<p>L2</p>  <p>Lower horizontal bar (Front) - 1pc</p>

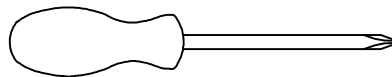
SA11794 (2-2) + Hardware inside

<p>A2</p>  <p>Horizontal bar HB - 3pcs</p>	<p>A3</p>  <p>Divider horizontal bar HB - 1pc</p>	<p>A4</p>  <p>Divider horizontal bar HB - 1pc</p>
<p>A5</p>  <p>Lower horizontal bar HB - 1pc</p>	<p>B2</p>  <p>Upper horizontal bar FB - 2pcs</p>	<p>B3</p>  <p>Step ladder - 2pcs</p>
<p>B4</p>  <p>Upper horizontal bar FB - 1pc</p>	<p>B5</p>  <p>Divider horizontal bar FB - 1pc</p>	<p>B6</p>  <p>Lower horizontal bar FB - 2pcs</p>
<p>B7</p>  <p>Left side ladder -1pc</p>	<p>B8</p>  <p>Right side ladder -1pc</p>	<p>F</p>  <p>Step ladder (Front) - 2pcs</p>
<p>G</p>  <p>Horizontal bar - 11pcs</p>	<p>J</p>  <p>Slat (1Set = 14pcs)</p>	

Hardware List SA11794 (2-2)

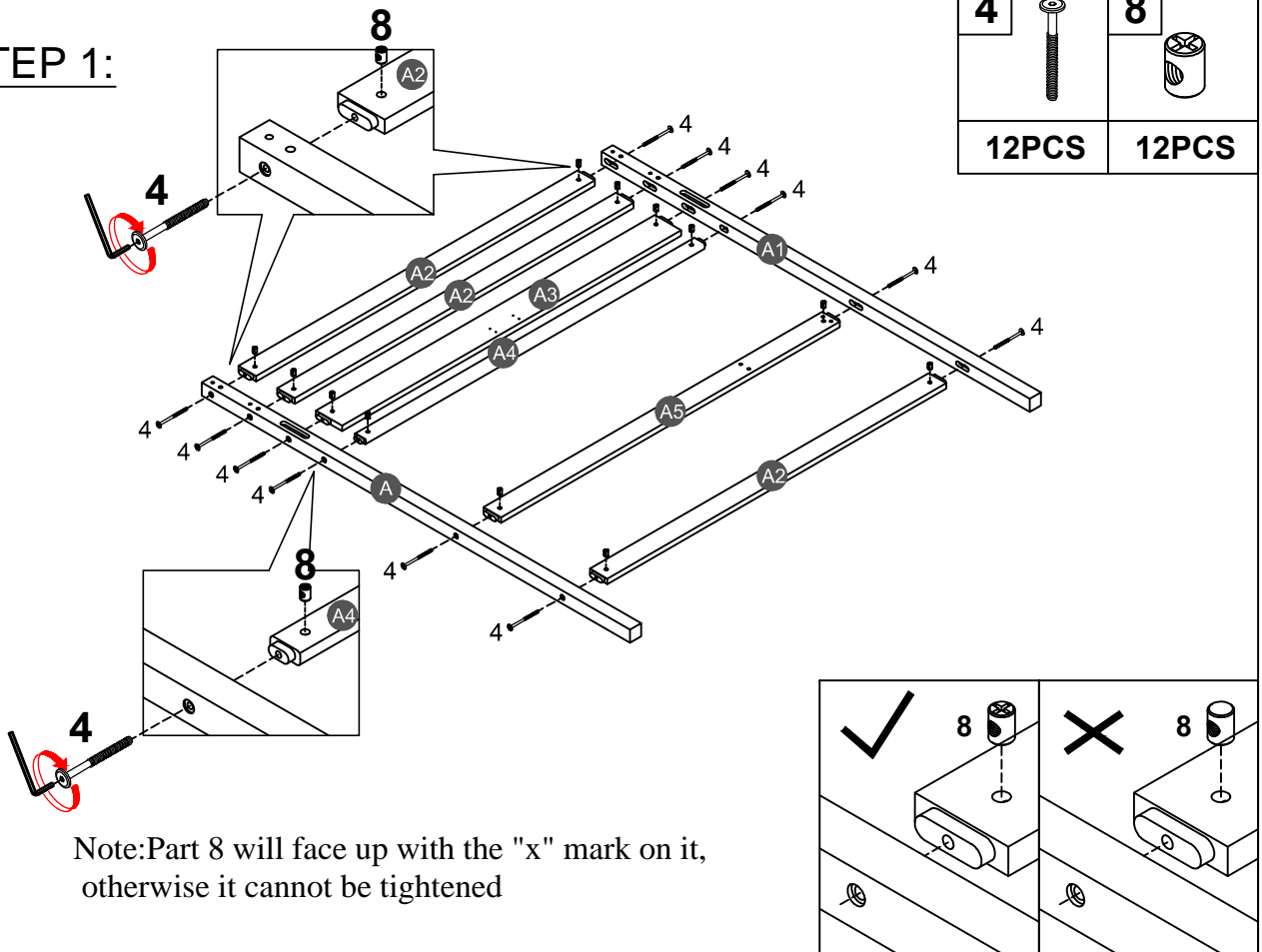
1  Ø10*40mm Wood dowel (10pcs)	2  Ø8*30mm Wood dowel (6pcs)	3  (Ø15)1/4"*100mm Hex-Head bolts (18pcs)
4  (Ø15)1/4"*80mm Hex-Head bolts (36pcs)	5  (Ø12)1/4"*60mm Hex-Head bolts (12pcs)	6  (Ø12)1/4"*40mm Hex-Head bolts (6pcs)
7  (Ø12)1/4"*30mm Hex-Head bolts (8pcs)	8  1/4"*15 (9.5mm) Horizontal-Hole bolts(66pcs)	9  (Ø12)1/4"*40mm Hex-Head bolts (30pcs)
10  Ø4*30mm Wood screws (16pcs)	11  Ø3.5*15mm Wood screws (16pcs)	12  (1/4")4.5*58mm Allen key (2pcs)
13  40*18*18*2mm Metal bracket (2pcs)	14  (Ø13)1/4"*14mm Connect bolt (2pcs)	15  116*40*27mm Metal bracket (2pcs)
16  Ø10*20mm Wood dowel (4pcs)		

ASSEMBLY TOOLS REQUIRED (NOT INCLUDED)

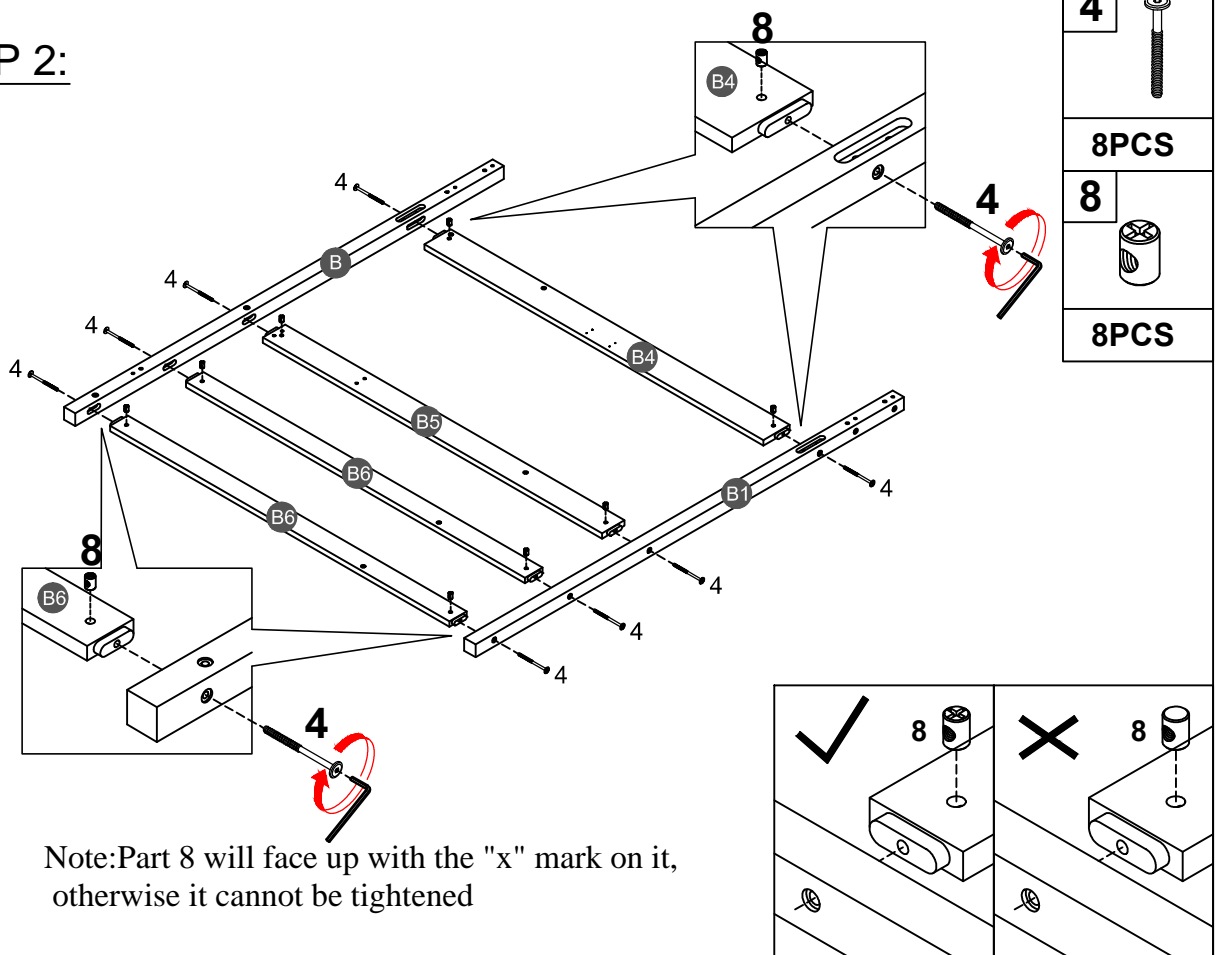


PLEASE BE CAREFUL DO NOT DAMAGE THE HOLE POSITION WHEN YOU USE POWER TOOLS !

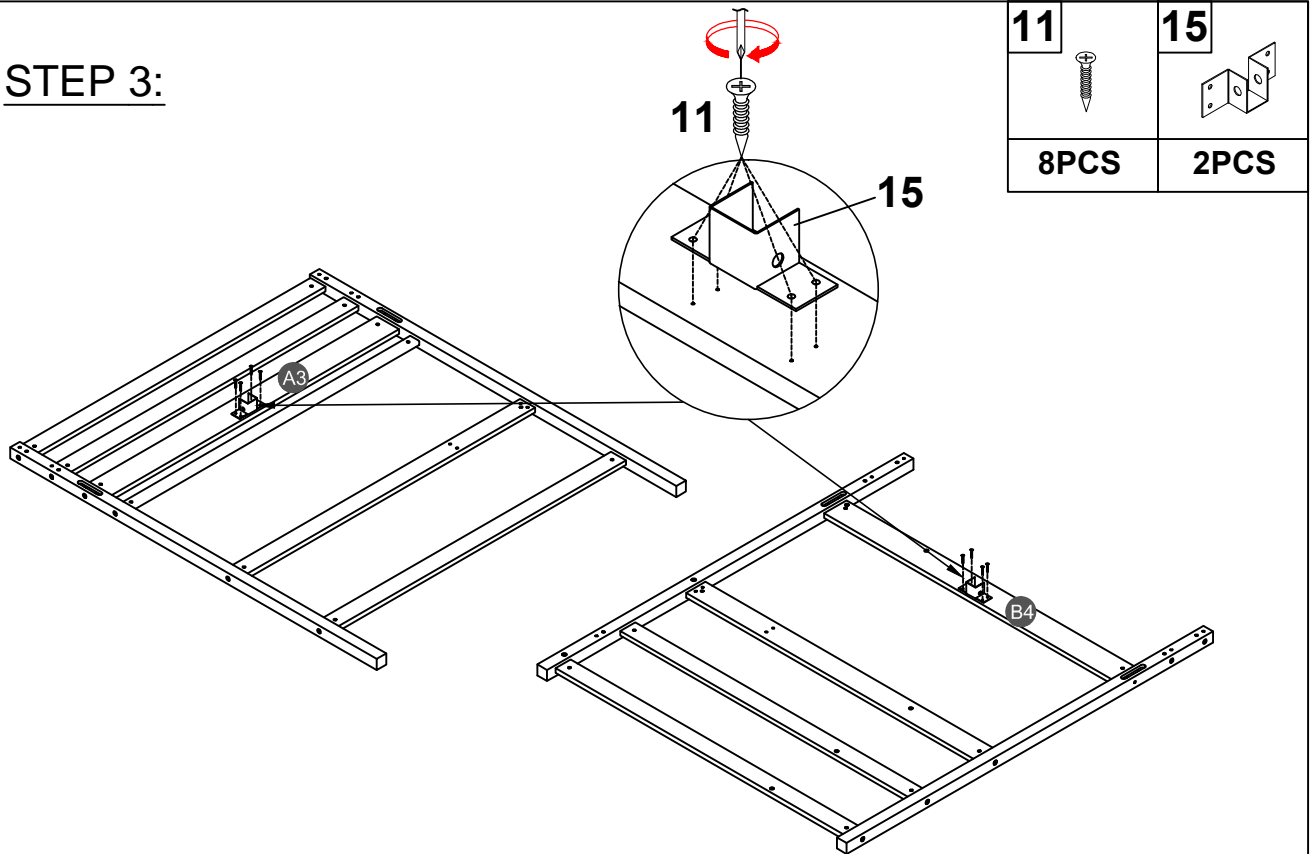
STEP 1:



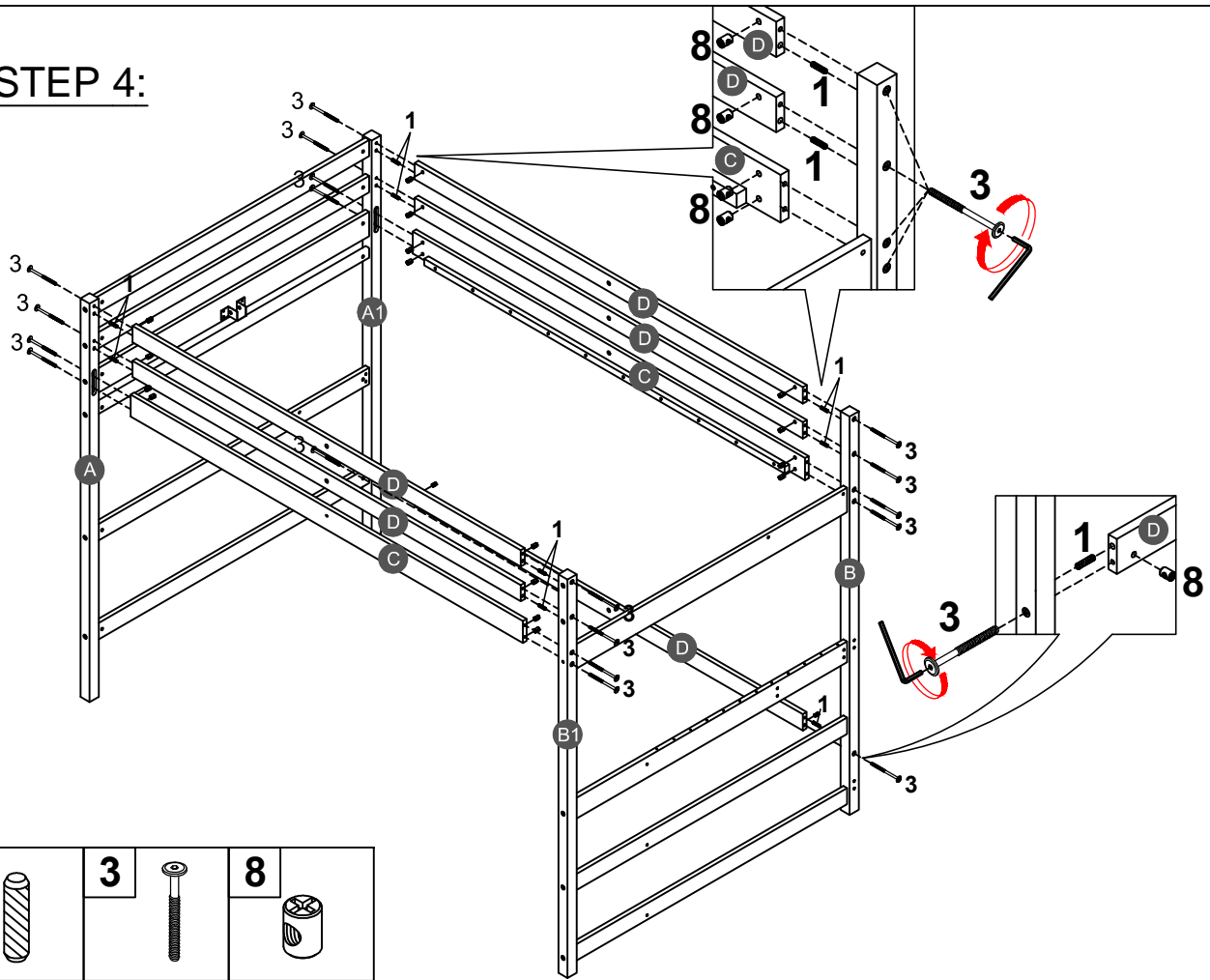
STEP 2:



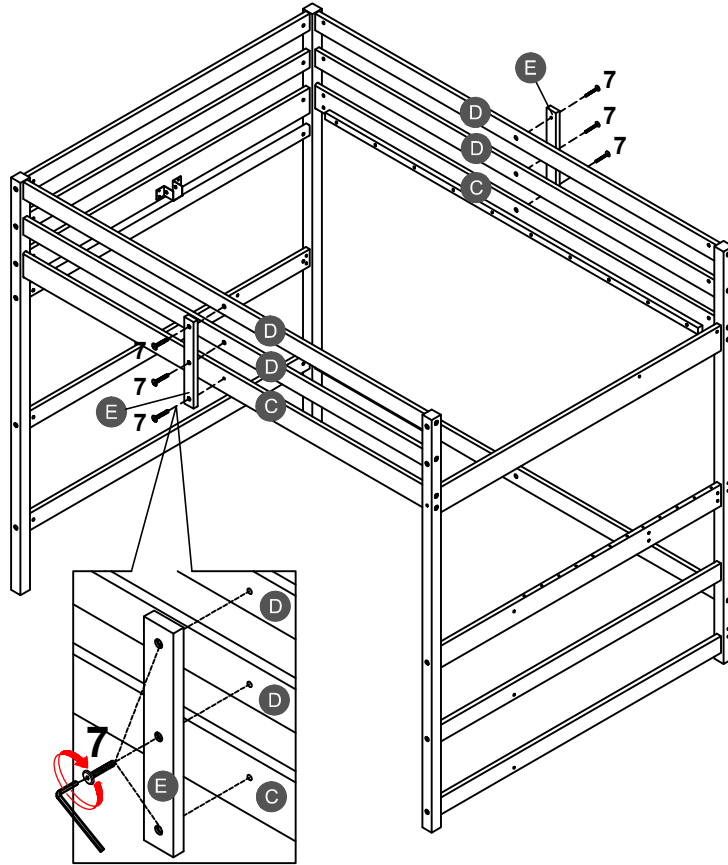
STEP 3:



STEP 4:



STEP 5:

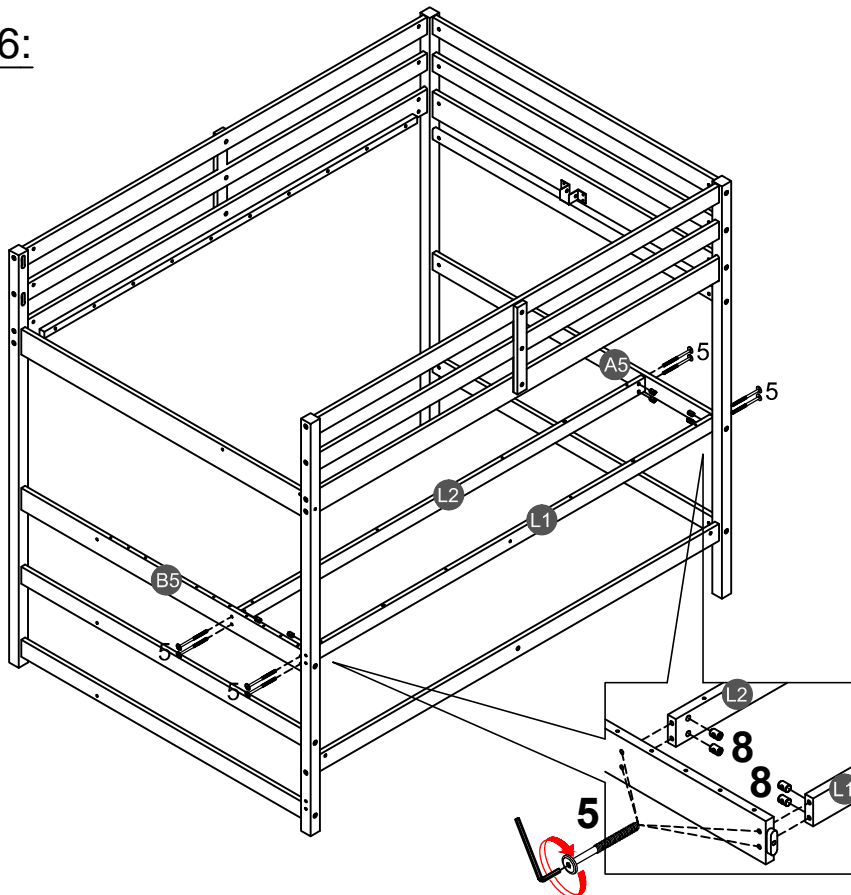


7



6PCS

STEP 6:



5



8PCS

8



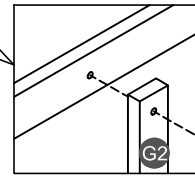
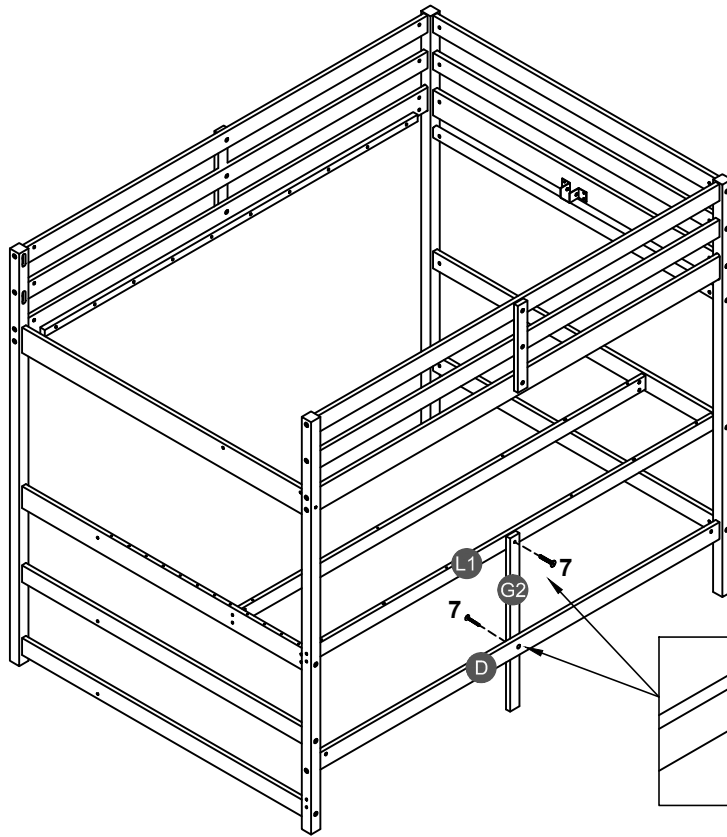
8PCS

STEP 7:

7



2PCS



STEP 8:

9

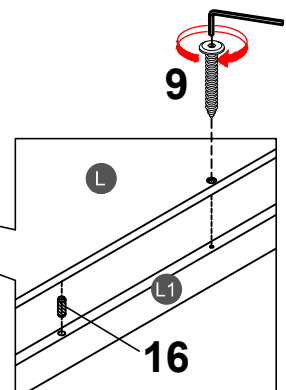
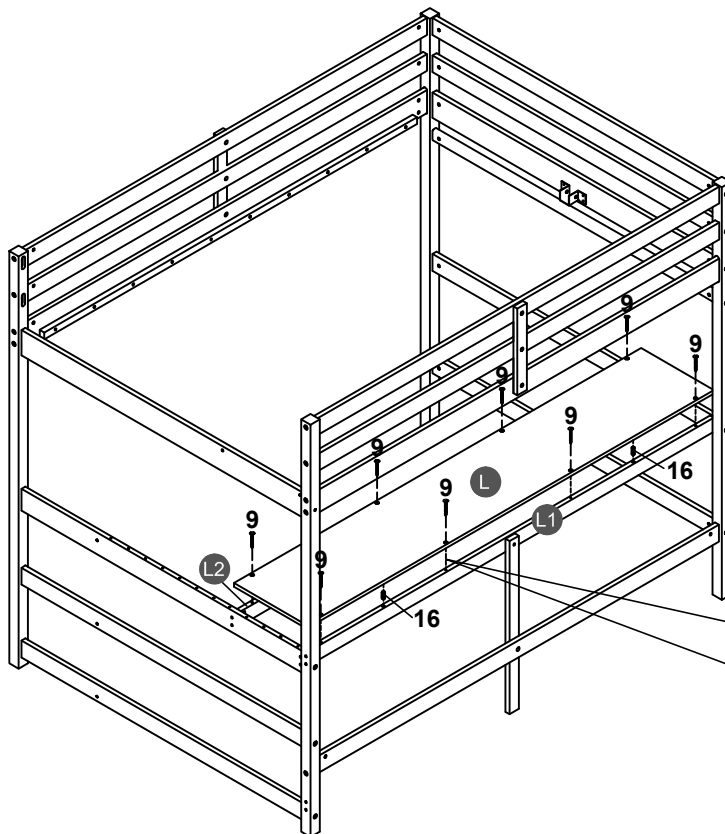


8PCS

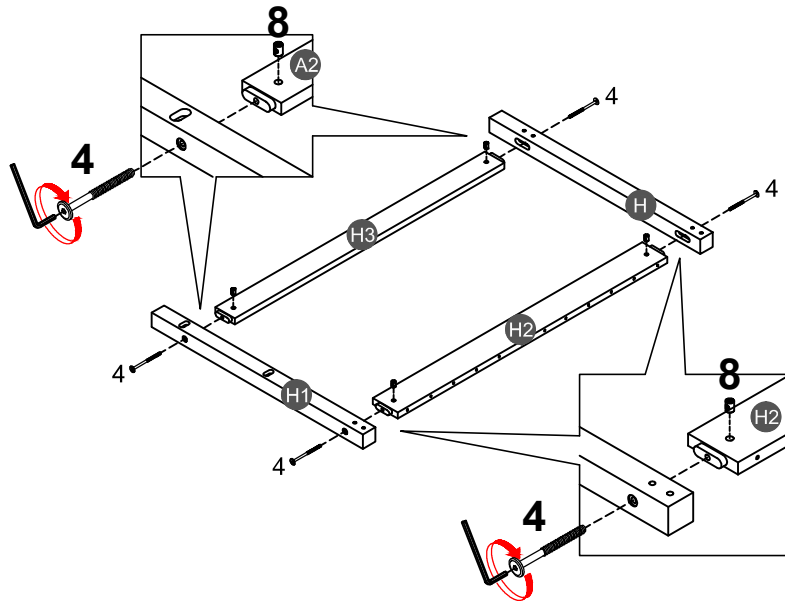
16





4PCS

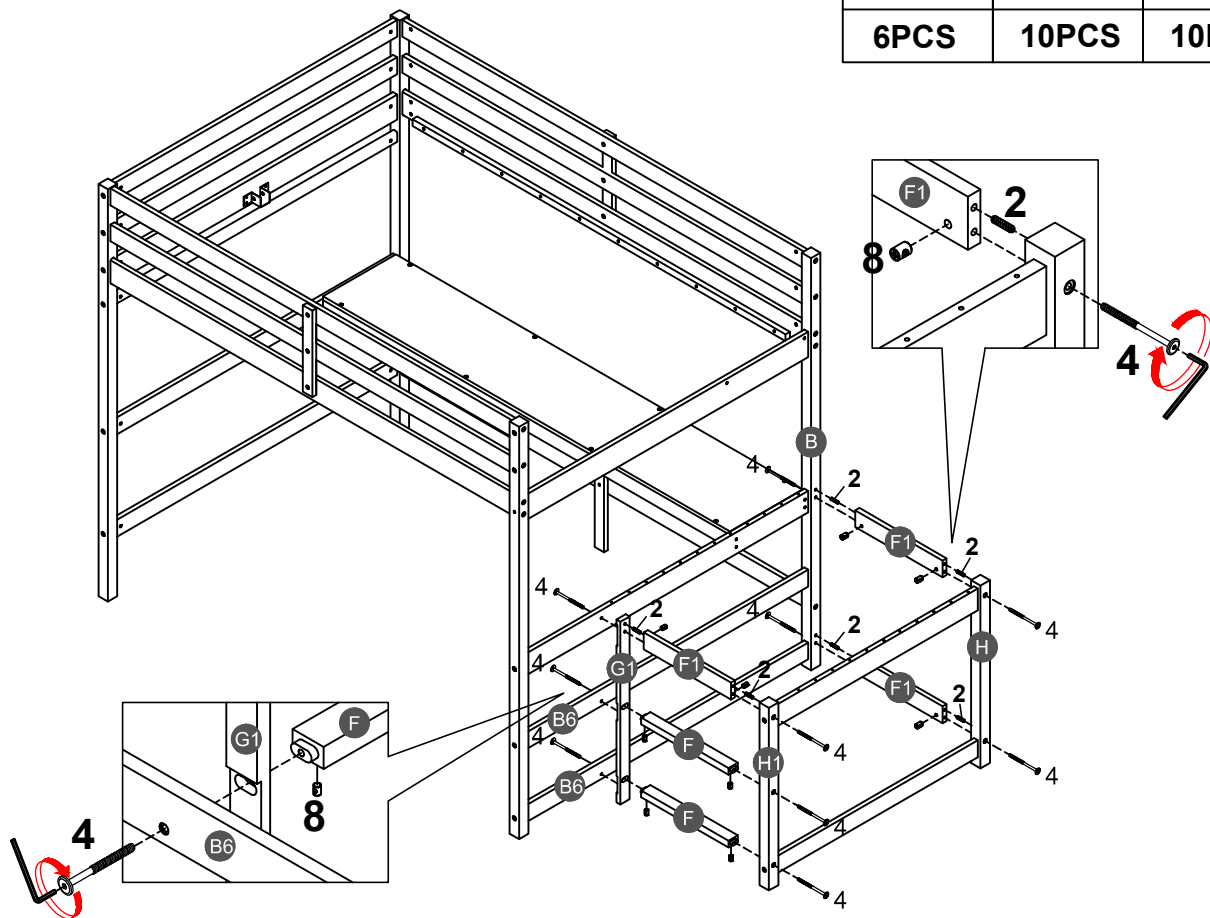





STEP 9:



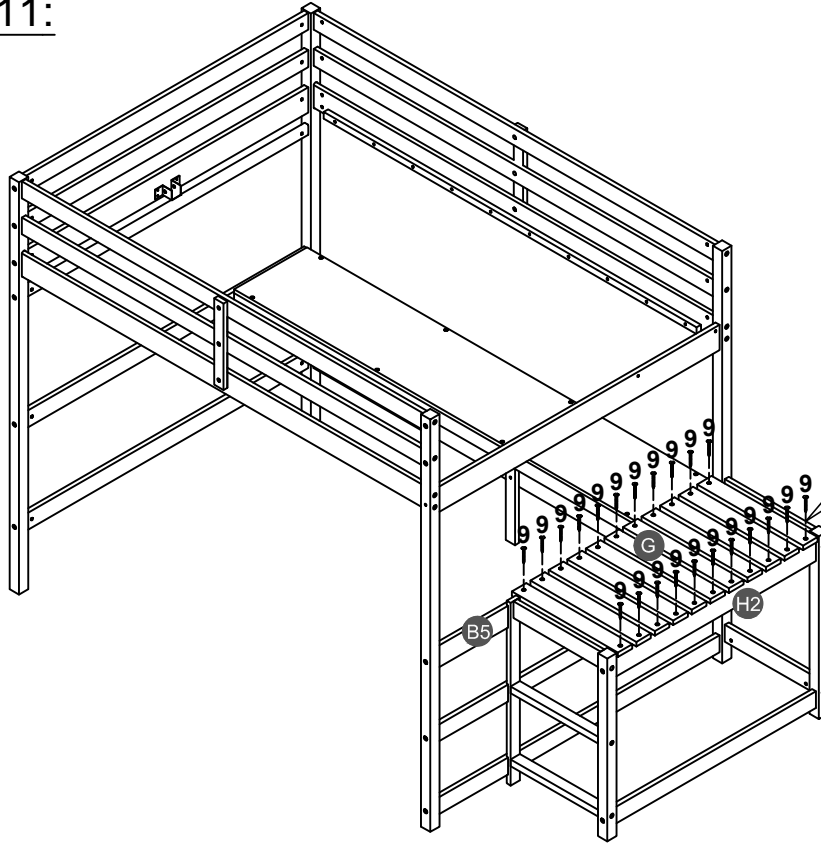
4		8	
4PCS		4PCS	

STEP 10:



2		4		8	
6PCS		10PCS		10PCS	

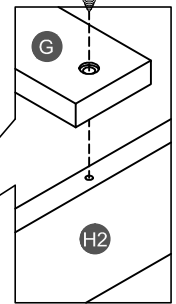
STEP 11:



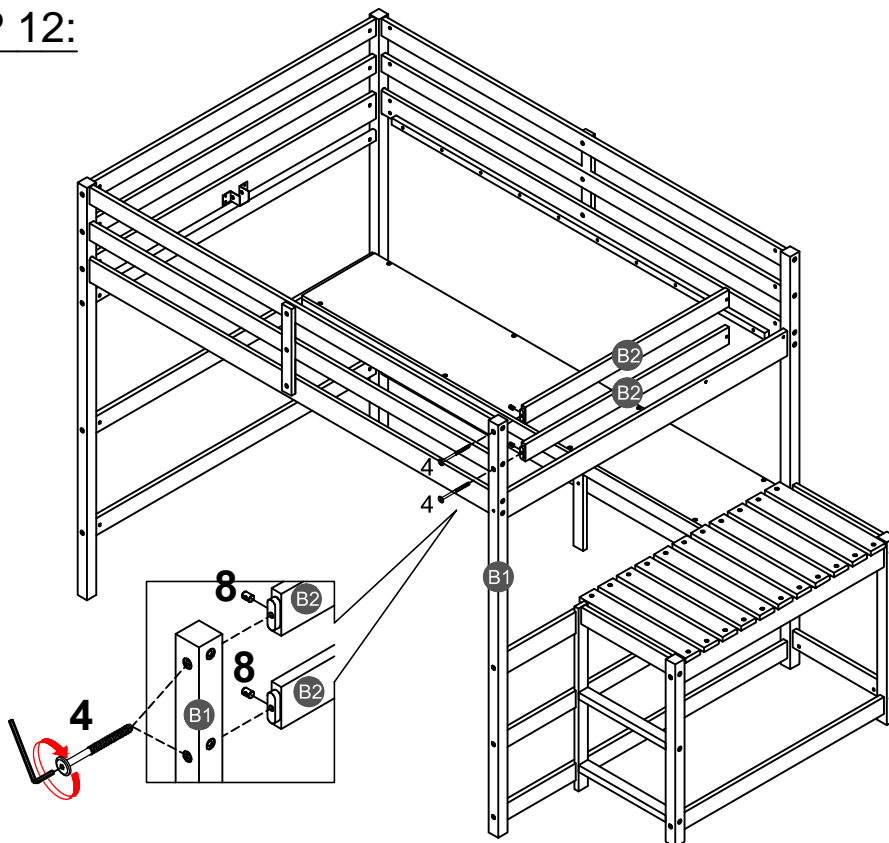
9



22PCS



STEP 12:



4

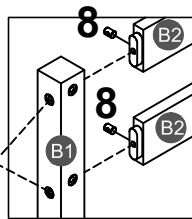


2PCS

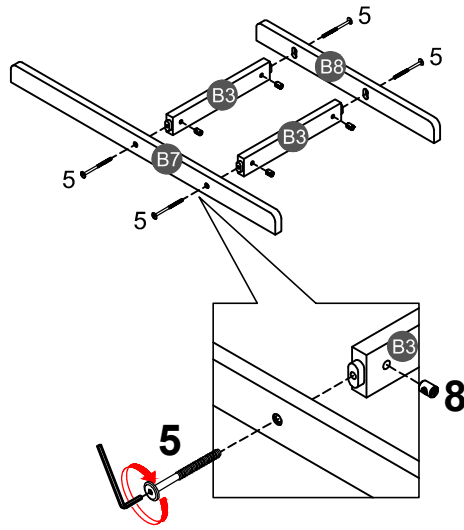
8





2PCS

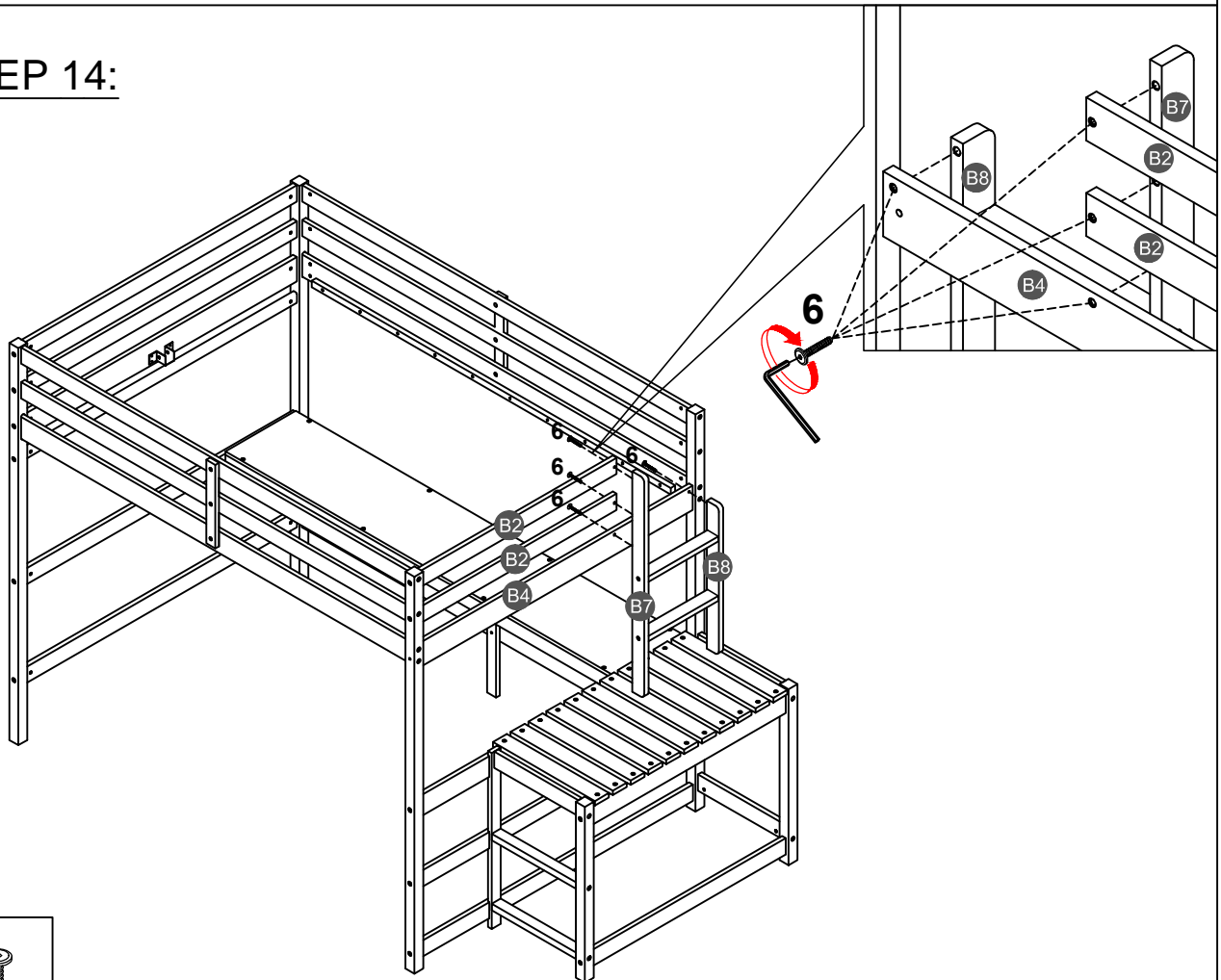



STEP 13:



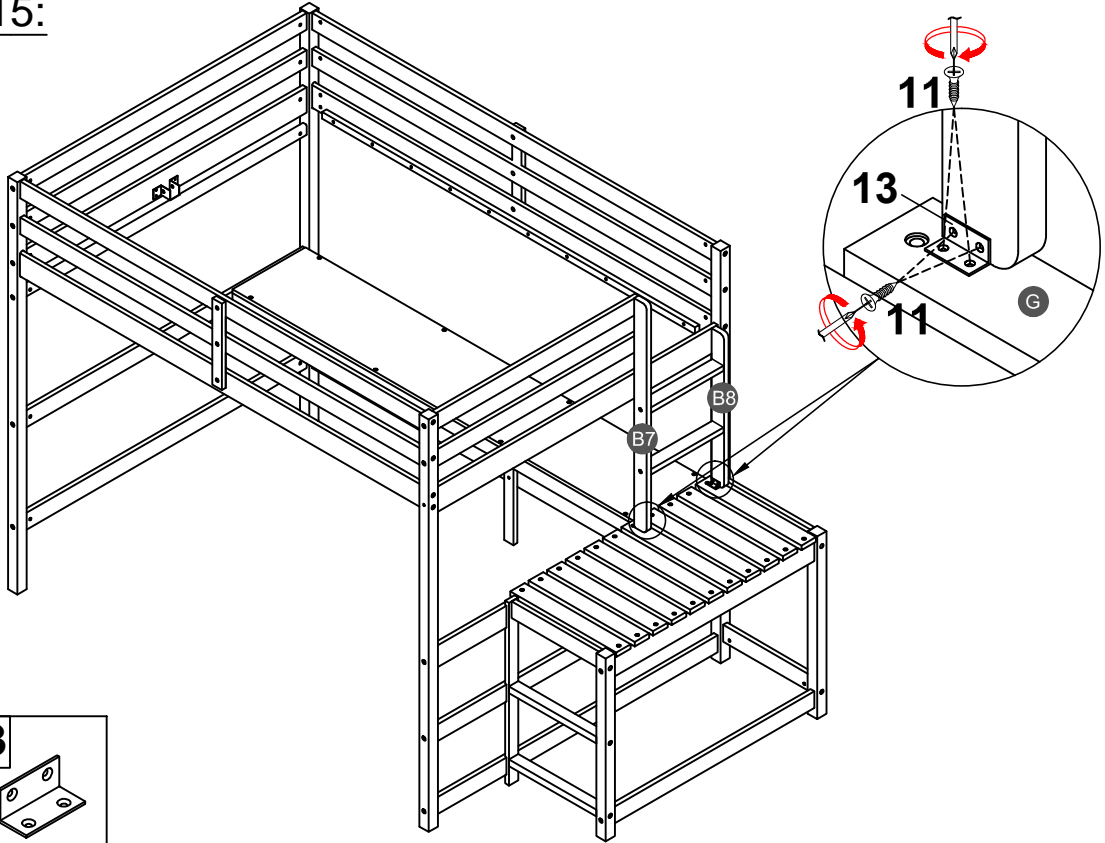
5		8	
4PCS		4PCS	


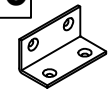
STEP 14:



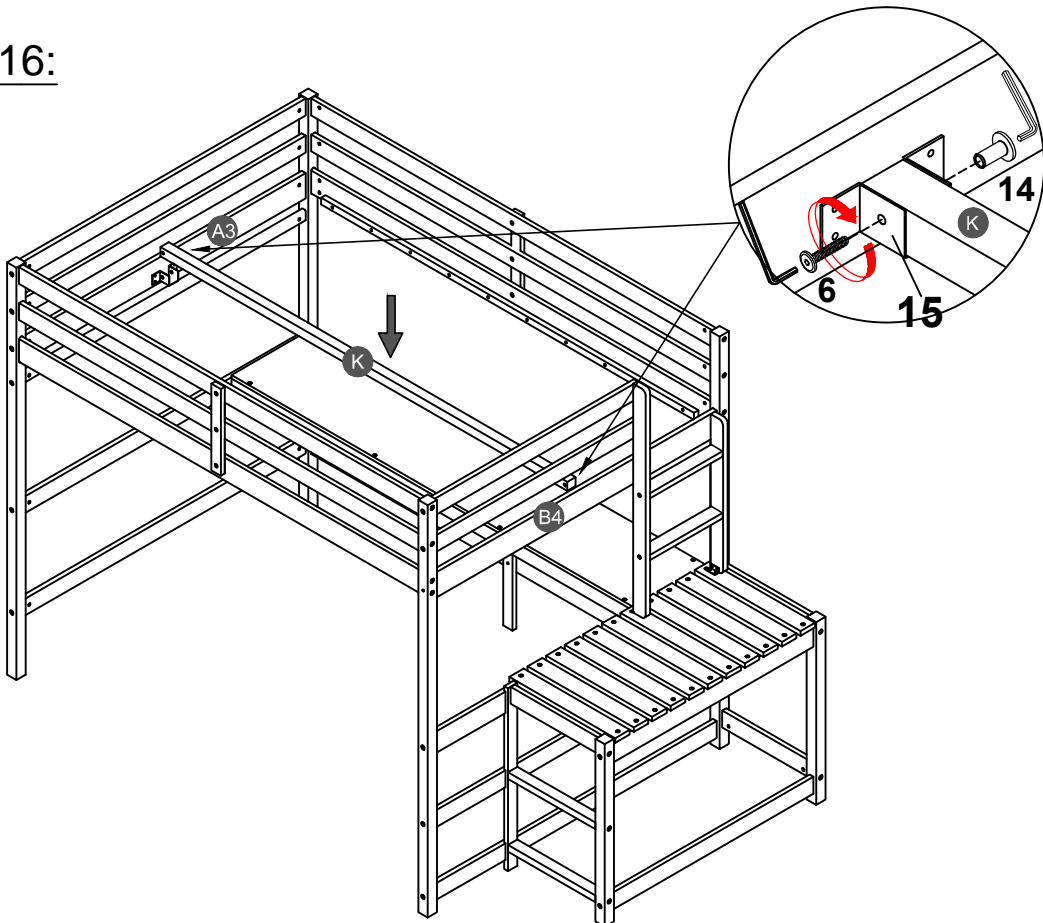
6	
4PCS	


STEP 15:




11	13
	
8PCS	2PCS

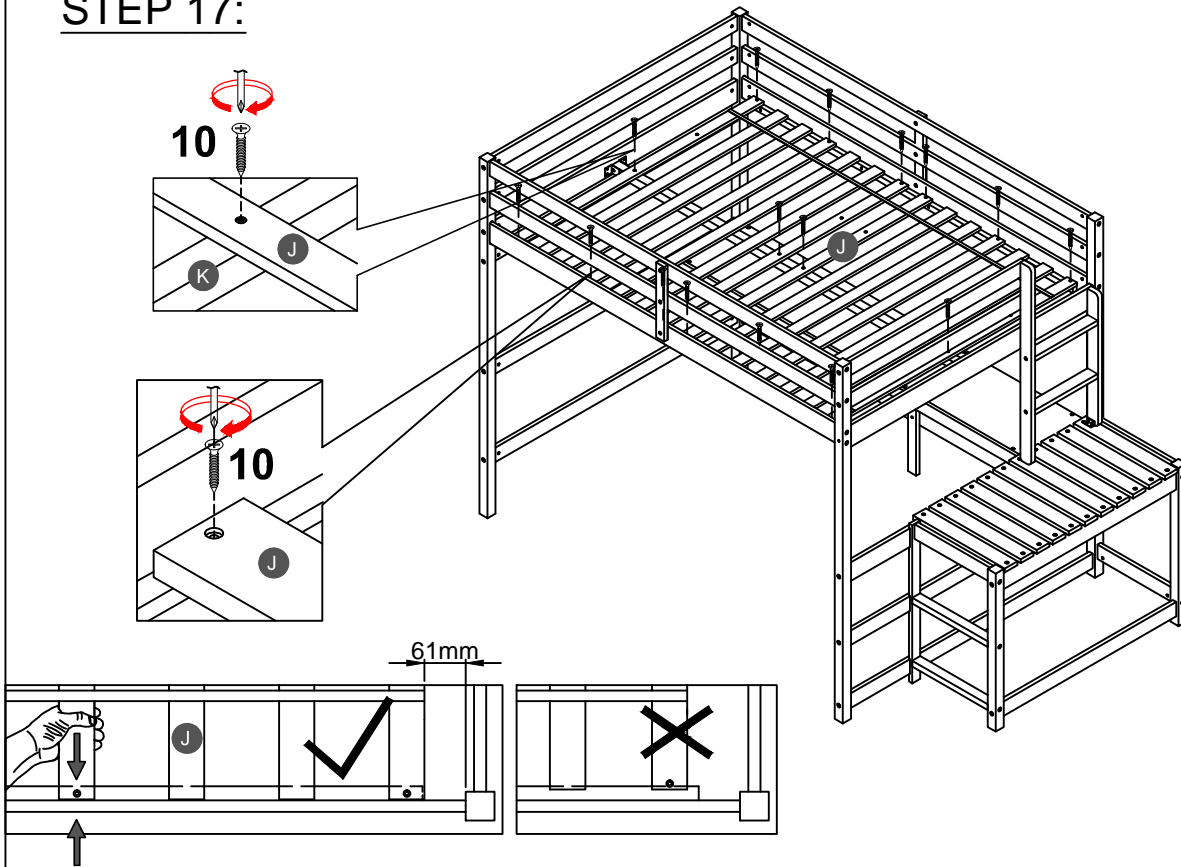
STEP 16:



6	
2PCS	

STEP 17:

10

16PCS



NOTE: Please make sure the bed slats close to the side rail before locking the screws to avoid breakage. This step is required for both the left and right sides. Moreover, please do not lock the screws of the bed slats at the outermost edge to avoid damaging.

