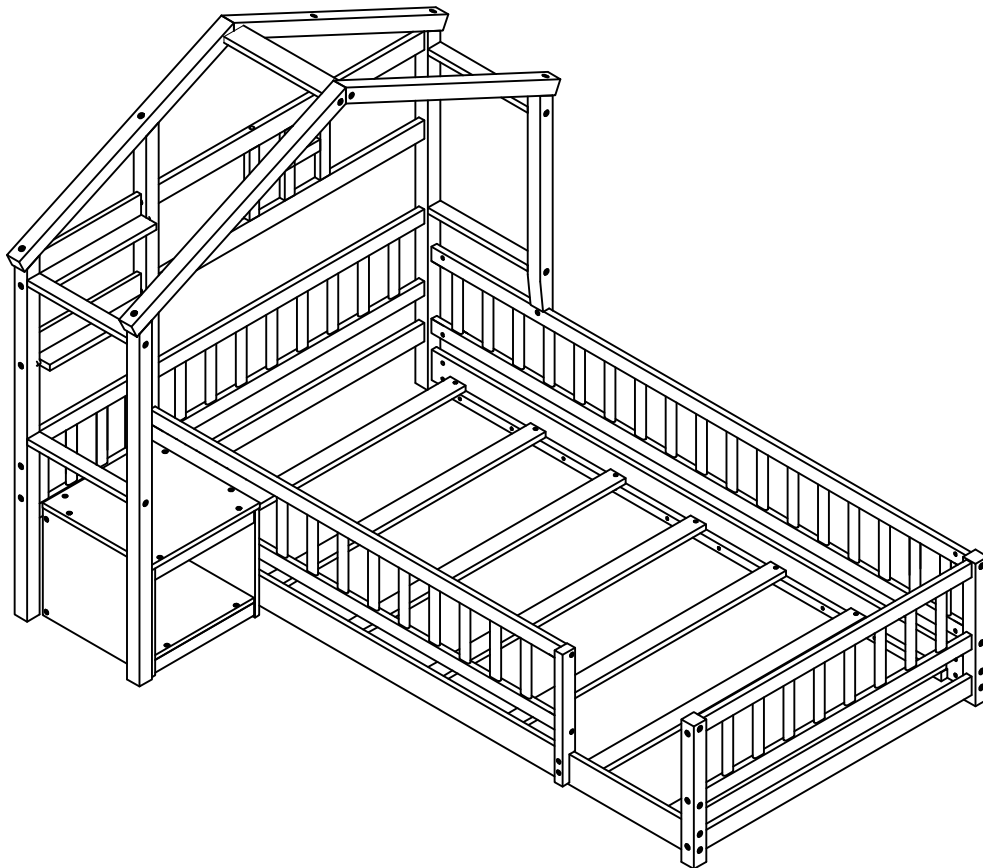


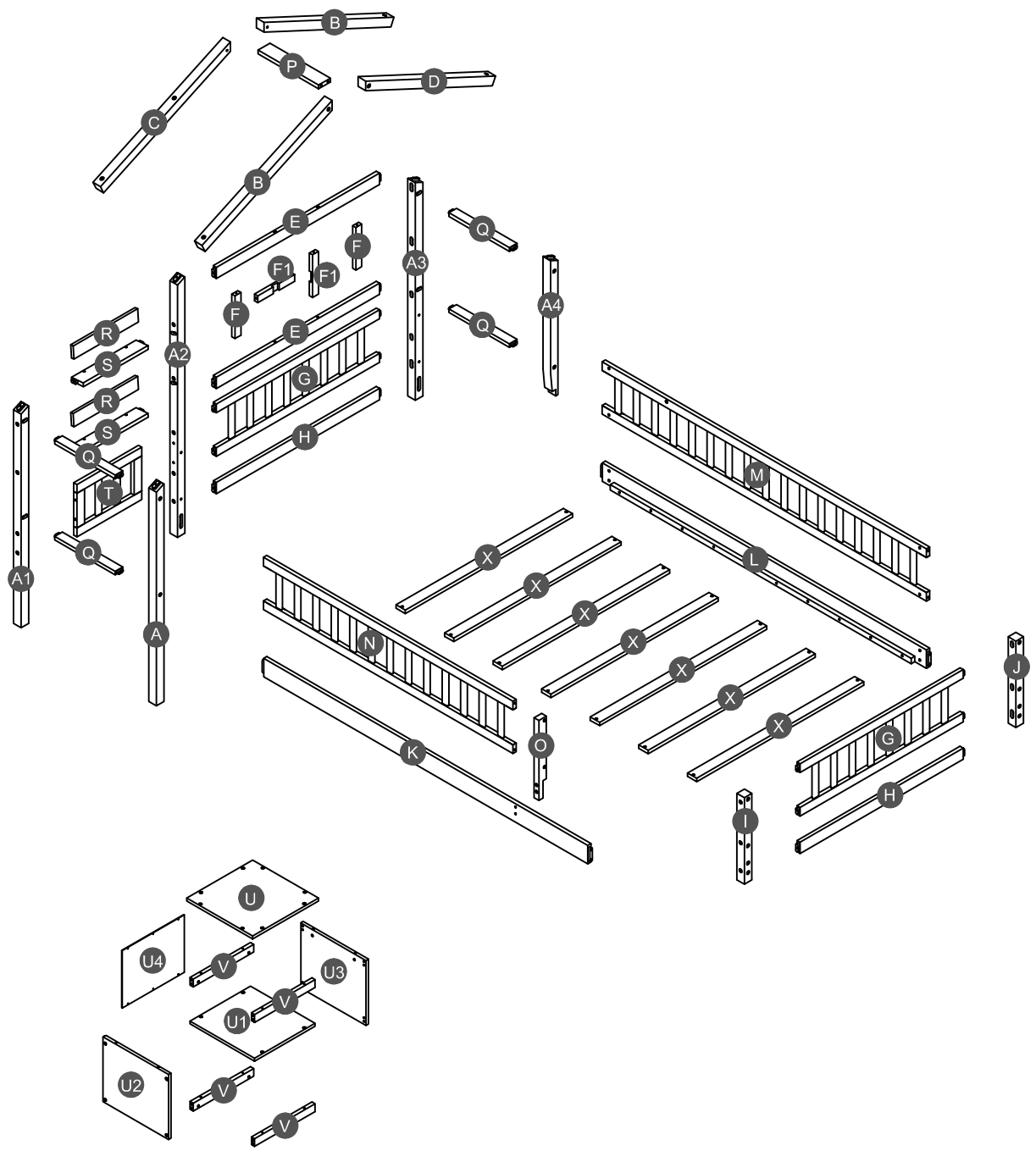
ASSEMBLY INSTRUCTIONS

HOUSE TWIN BED WITH FENCE, STAND

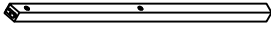
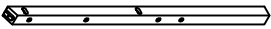
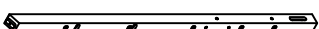

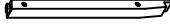
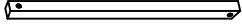
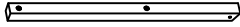
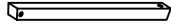
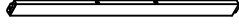


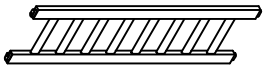

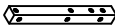




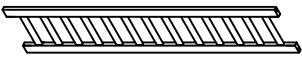
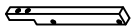
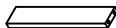
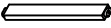
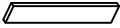
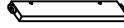
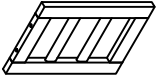


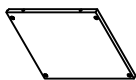
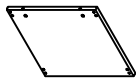
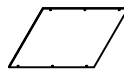
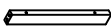



SA33831

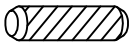

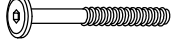
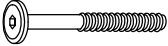








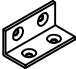
Detail View



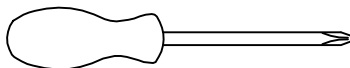
Part List

A  Leg HB (Left Front) - 1pc	A1  Leg HB (Left Back) - 1pc	A2  Leg HB (Divider) - 1pc
A3  Leg HB (Right Back) - 1pc	A4  Leg HB (Right Front) - 1pc	B  Upper (Left Front/Right Back) - 2pcs
C  Upper (Left Back) - 1pc	D  Upper (Right Front) - 1pc	E  Upper horizontal bar HB - 2pcs
F  Short vertical bar HB - 2pc	F1  Short horizontal bar HB - 2pc	G  Frame HB/FB - 2pcs
H  Lower horizontal bar HB/FB - 2pcs	I  Leg FB (Left) - 1pc	J  Leg FB (Right) - 1pc
K  Side rail (Front) - 1pc	L  Side rail (Back) - 1pc	M  Long guard rail (Back) - 1pc
N  Short guard rail (Front) - 1pc	O  Support guard rail (Right) - 1pc	P  Upper support - 1pc
Q  Horizontal bar HB - 4pcs	R  Horizontal bar HB (Left) - 2pcs	S  Horizontal bar HB (Left) - 2pcs
T  Lower frame HB - 1pc	U  Top panel - 1pc	U1  Bottom panel - 1pc
U2  Side panel (Left) - 1pc	U3  Side panel (Right) - 1pc	U4  Back panel - 1pc
V  Horizontal bar - 4pcs	X  Slats - 7pcs	

Hardware List

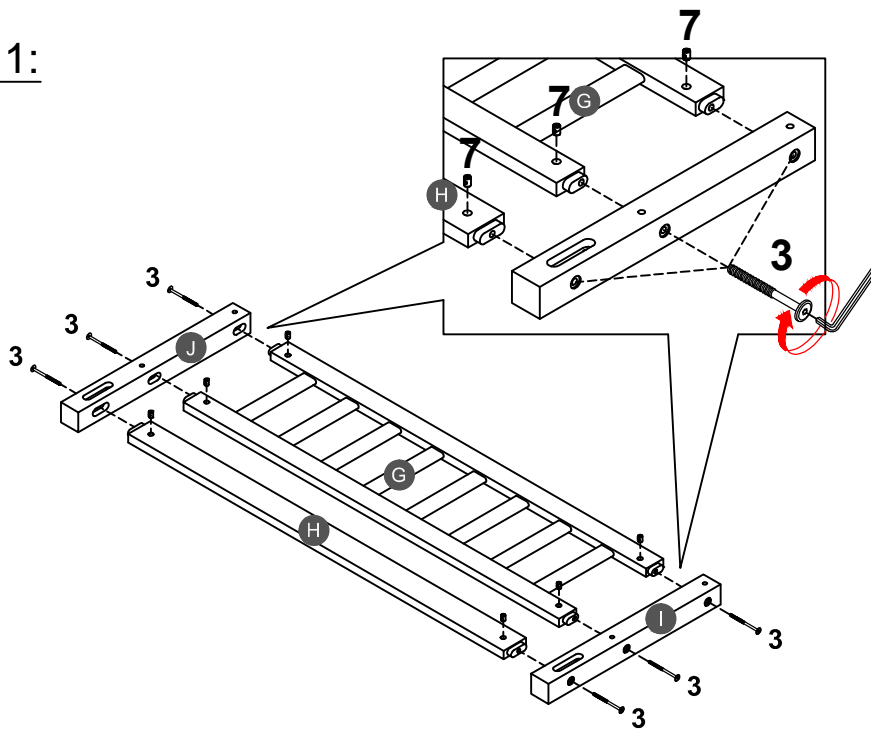
1  Ø8*30mm Wood dowel (12pcs)	2  (Ø15)1/4"*100mm Hex-Head bolts (14pcs)	3  (Ø15)1/4"*80mm Hex-Head bolts (36pcs)
4  (Ø12)1/4"*60mm Hex-Head bolts (12pcs)	5  (Ø12)1/4"*35mm Hex-Head bolts (2pcs)	6  (Ø12)1/4"*30mm Hex-Head bolts (1pc)
7  1/4"*15 (9.5mm) Horizontal-Hole bolts(62pcs)	8  (Ø12)1/4"*65mm Hex-Head bolts (9pcs)	9  (Ø12)1/4"*40mm Hex-Head bolts (12pcs)
10  Ø4*30mm Wood screws (14pcs)	11  (1/4")4.5*58mm Allen key (1pc)	12  Ø3.5*15mm Wood screws (14pcs)
13  40*18*18*2mm Metal bracket (2pcs)		



ASSEMBLY TOOLS REQUIRED (NOT INCLUDED)



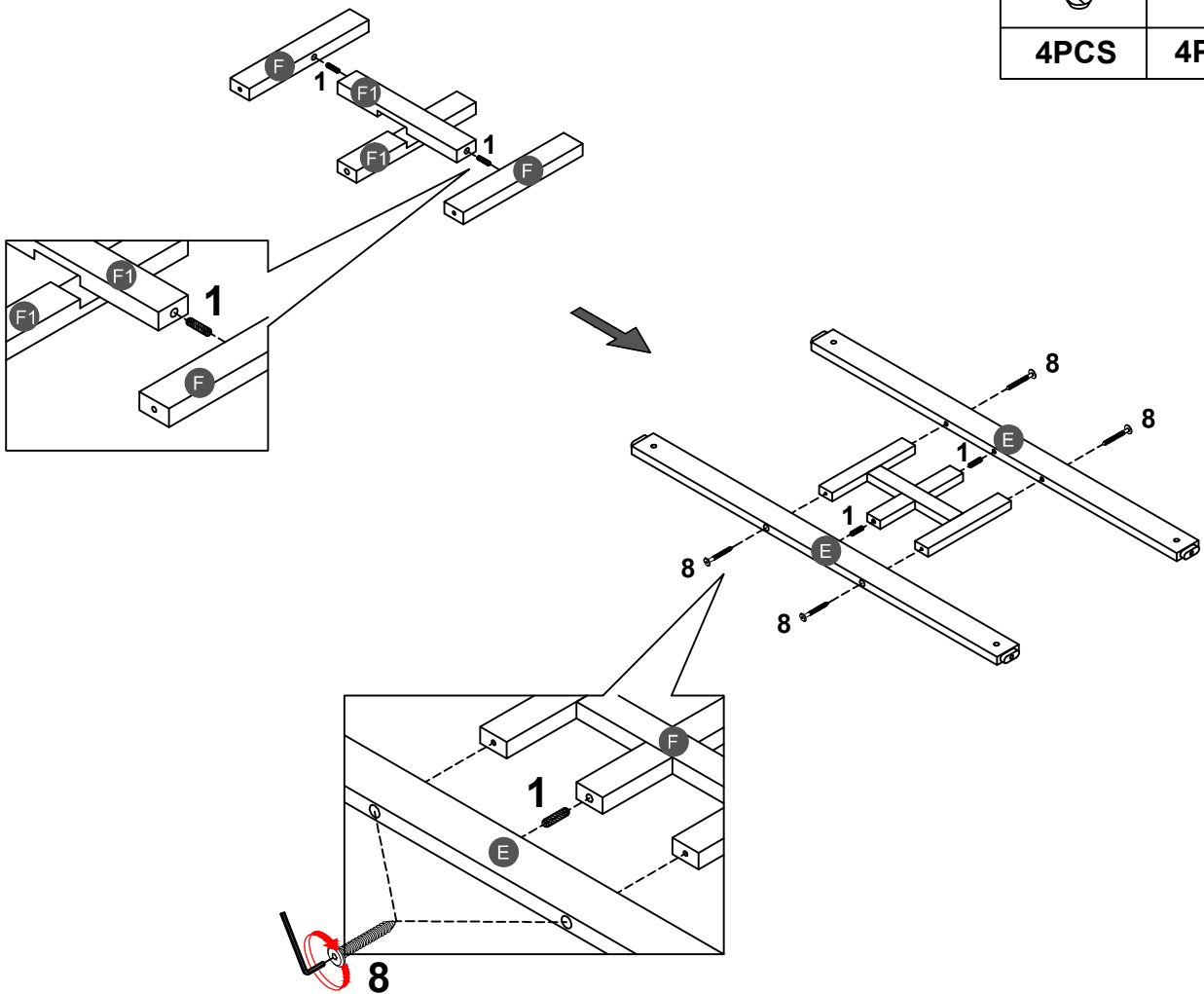
PLEASE BE CAREFUL DO NOT DAMAGE THE HOLE POSITION WHEN YOU USE POWER TOOLS !



STEP 1:



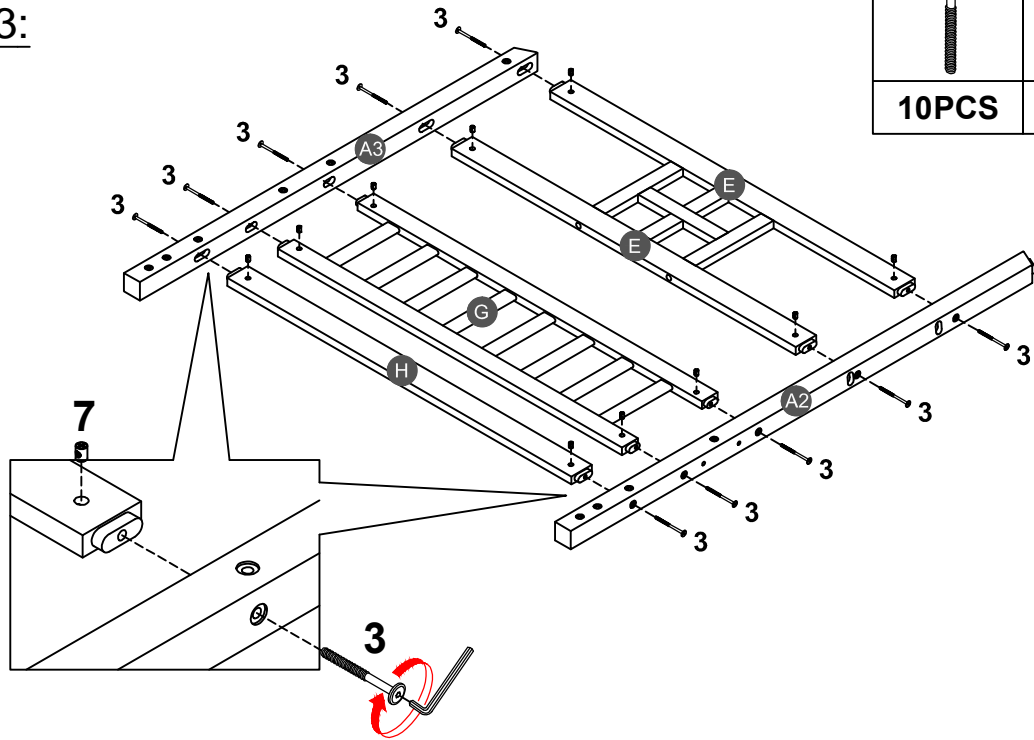
3		7	
6PCS		6PCS	



STEP 2:



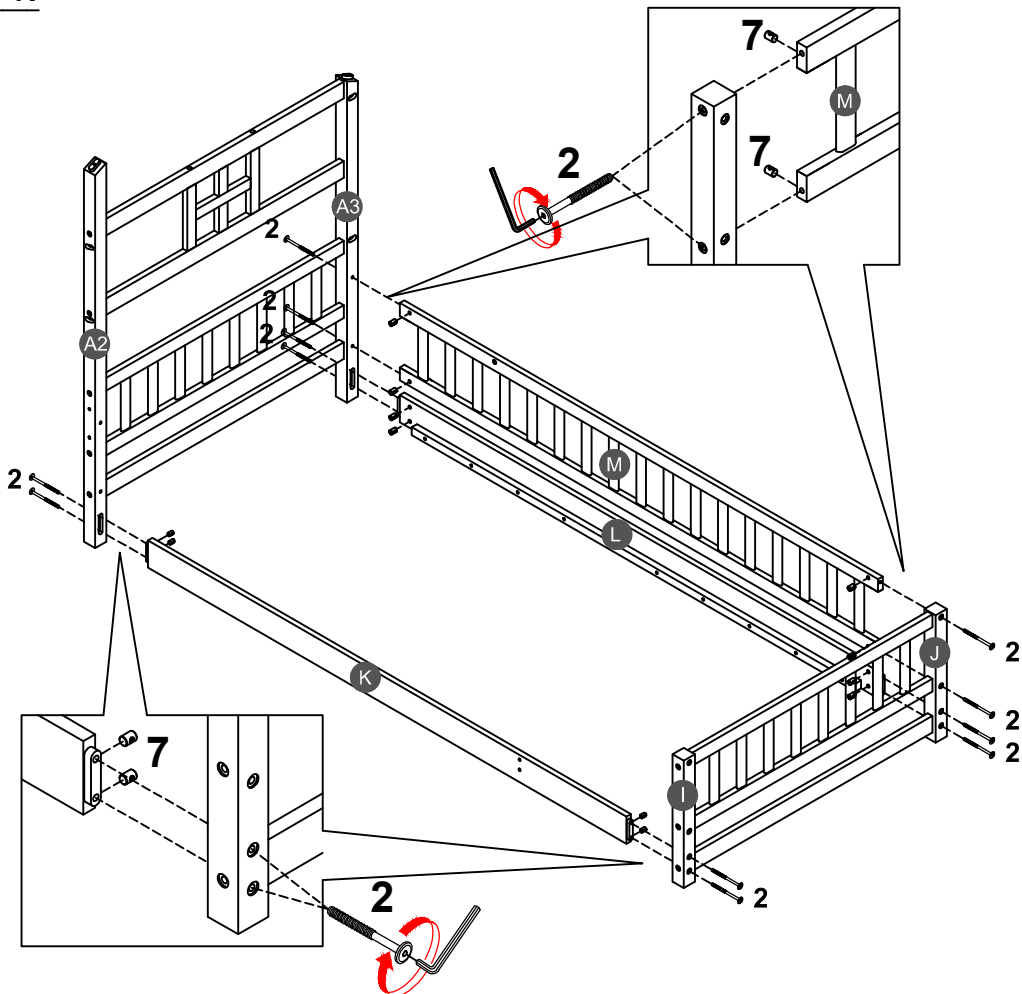
1		8	
4PCS		4PCS	



STEP 3:



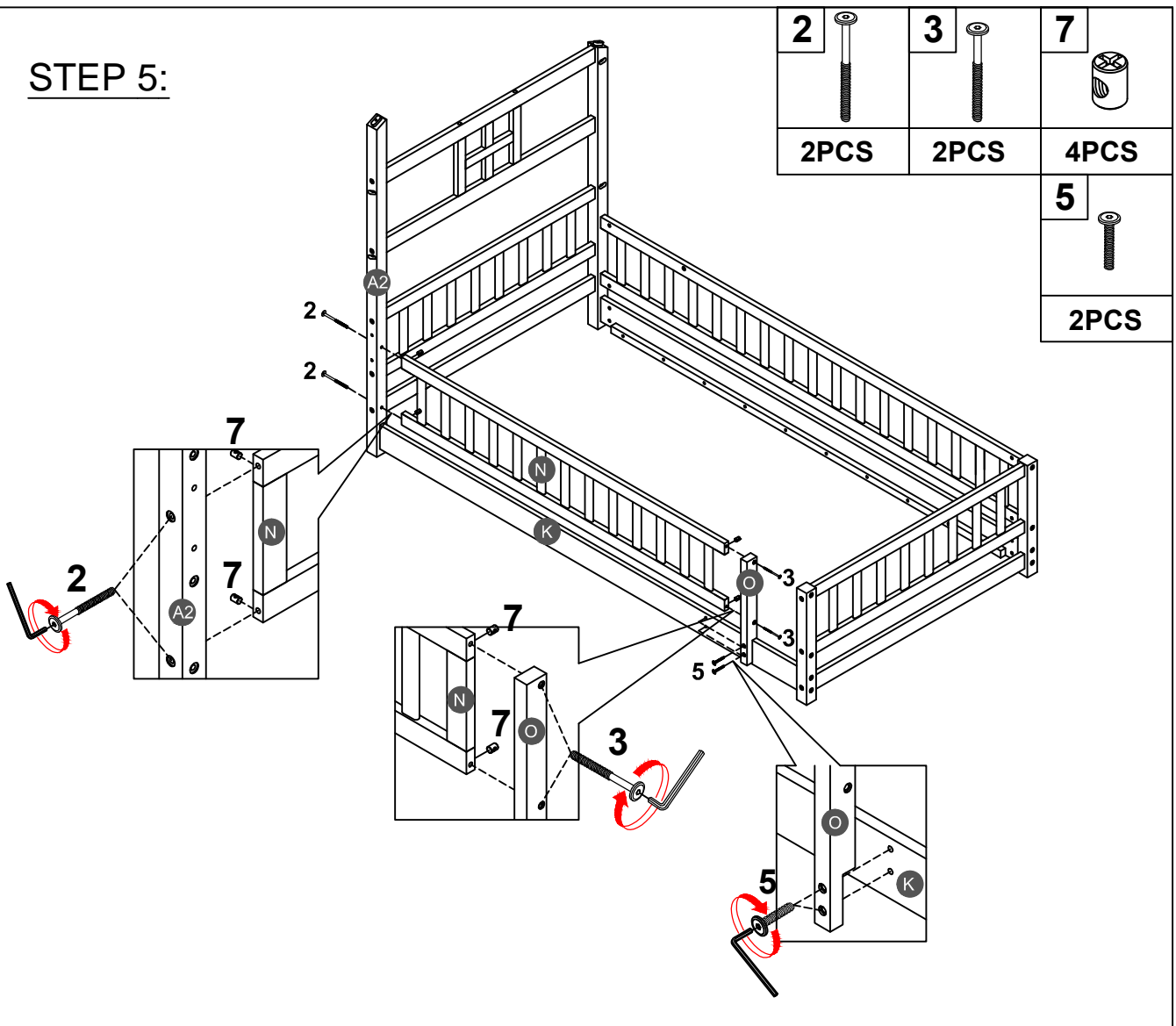
3		7	
10PCS		10PCS	

STEP 4:

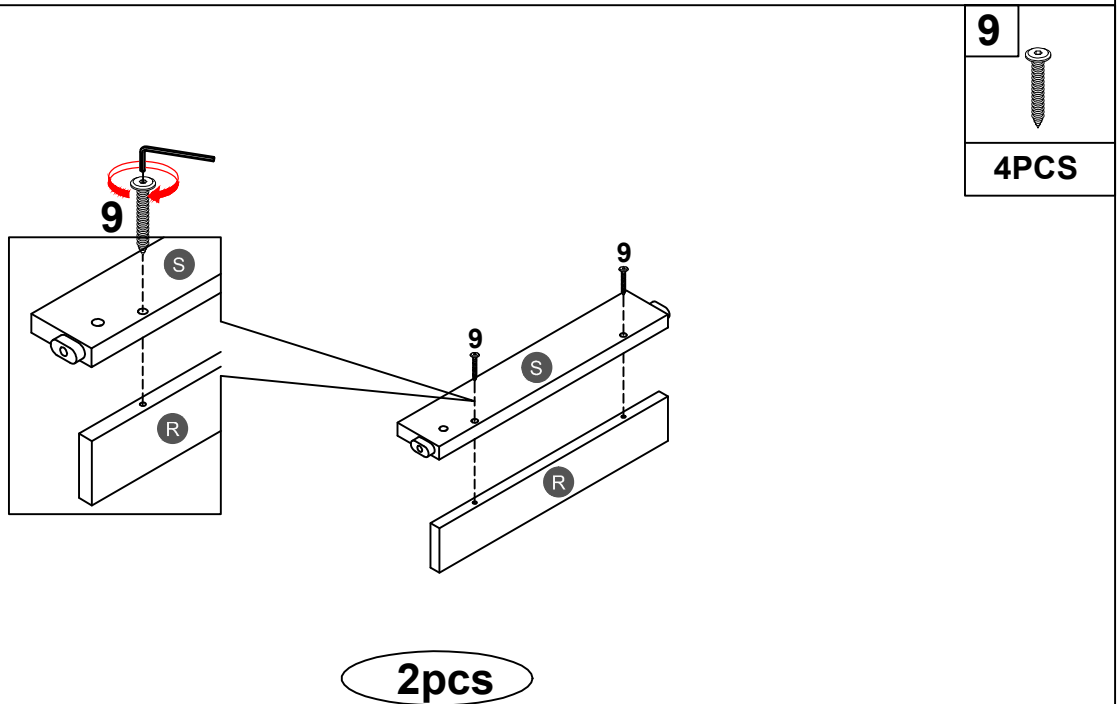


2		7	
12PCS		12PCS	



STEP 5:

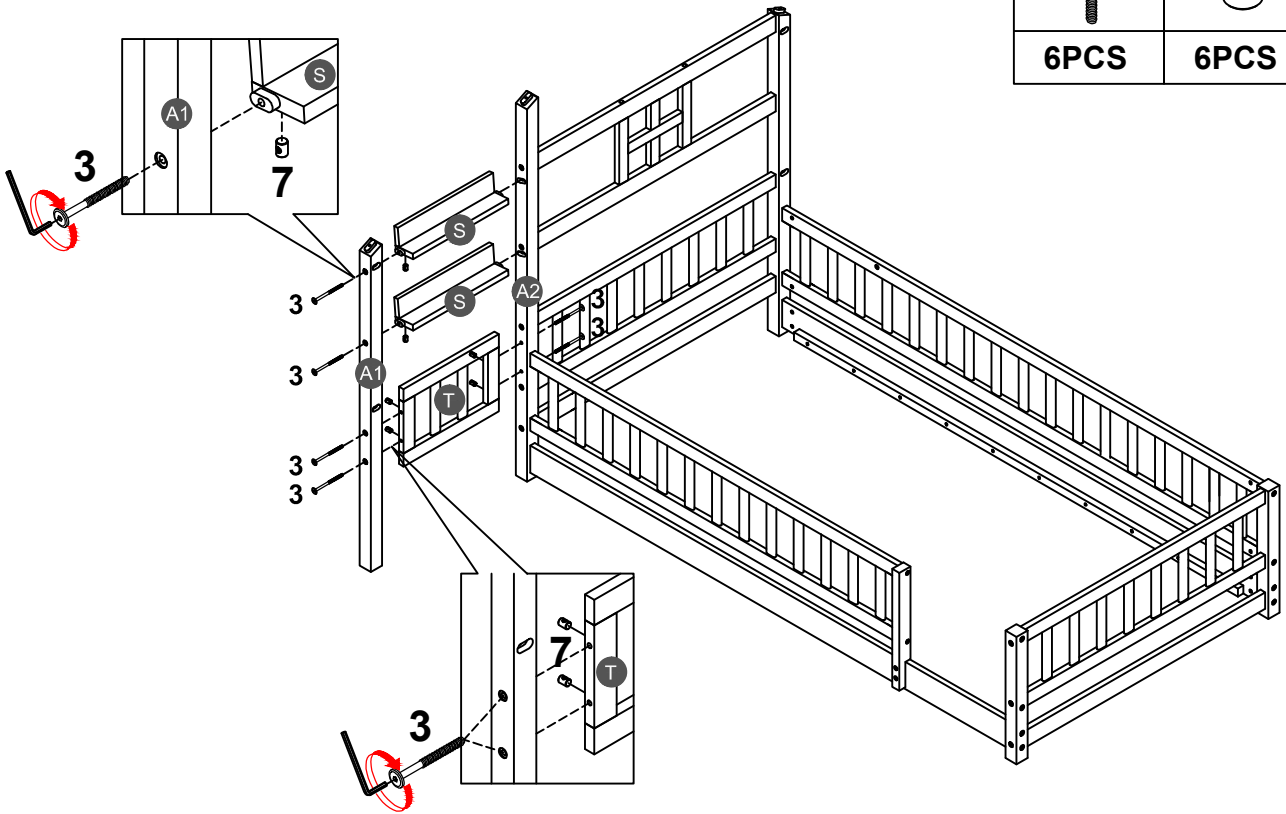


STEP 6:






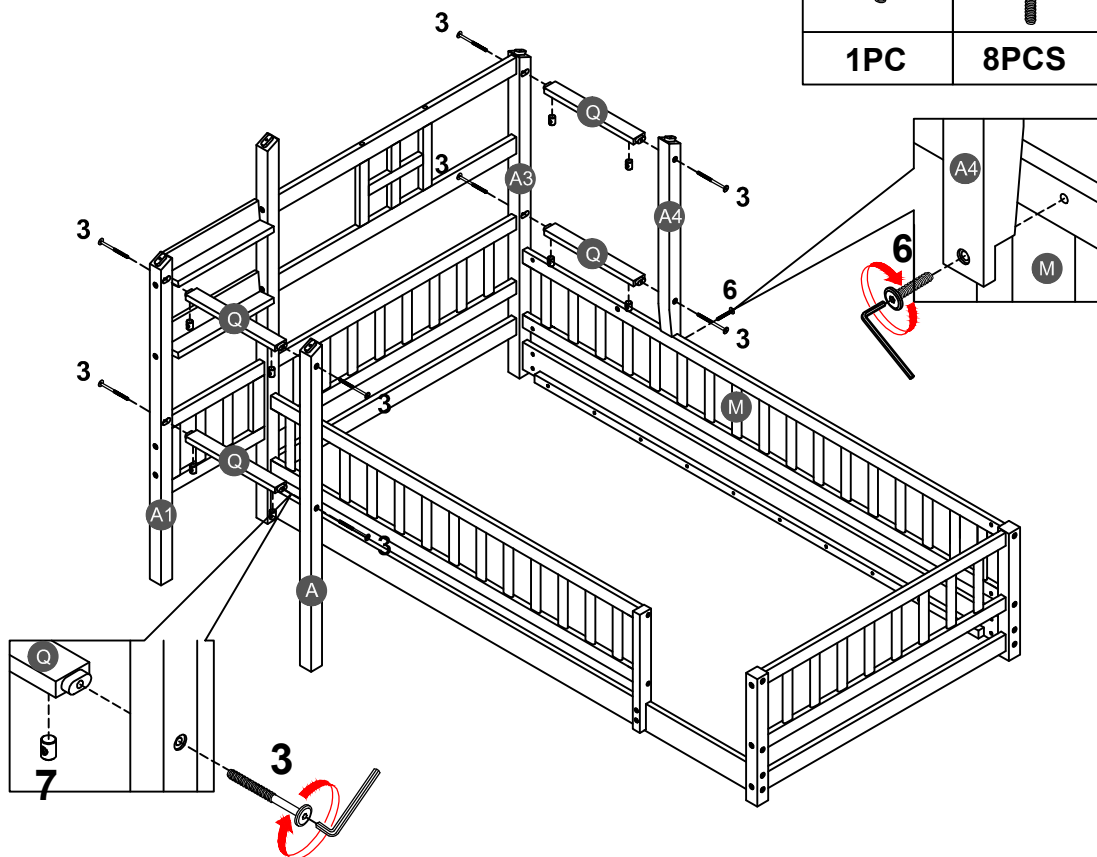
STEP 7:

3		7	
6PCS		6PCS	

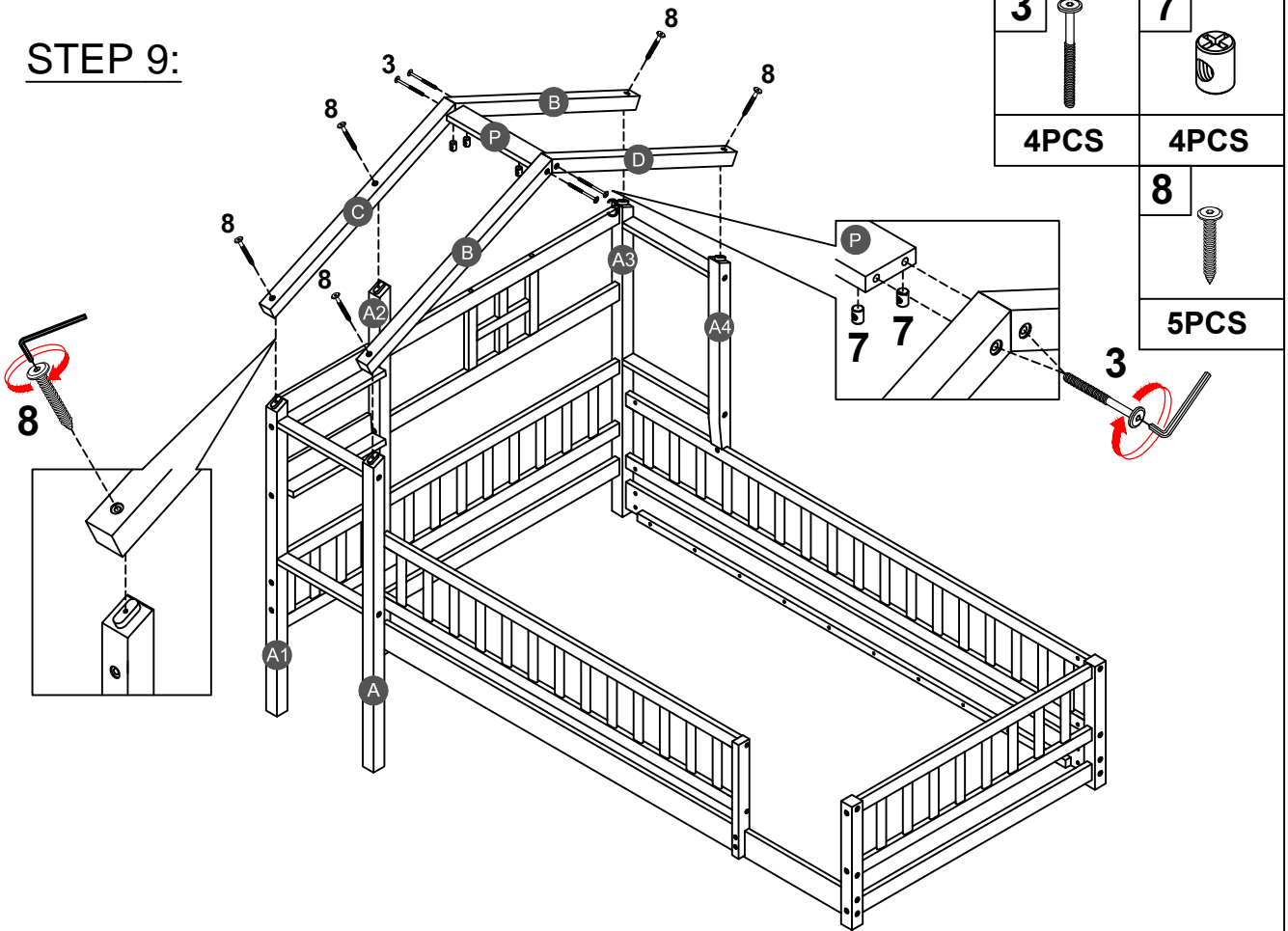


STEP 8:

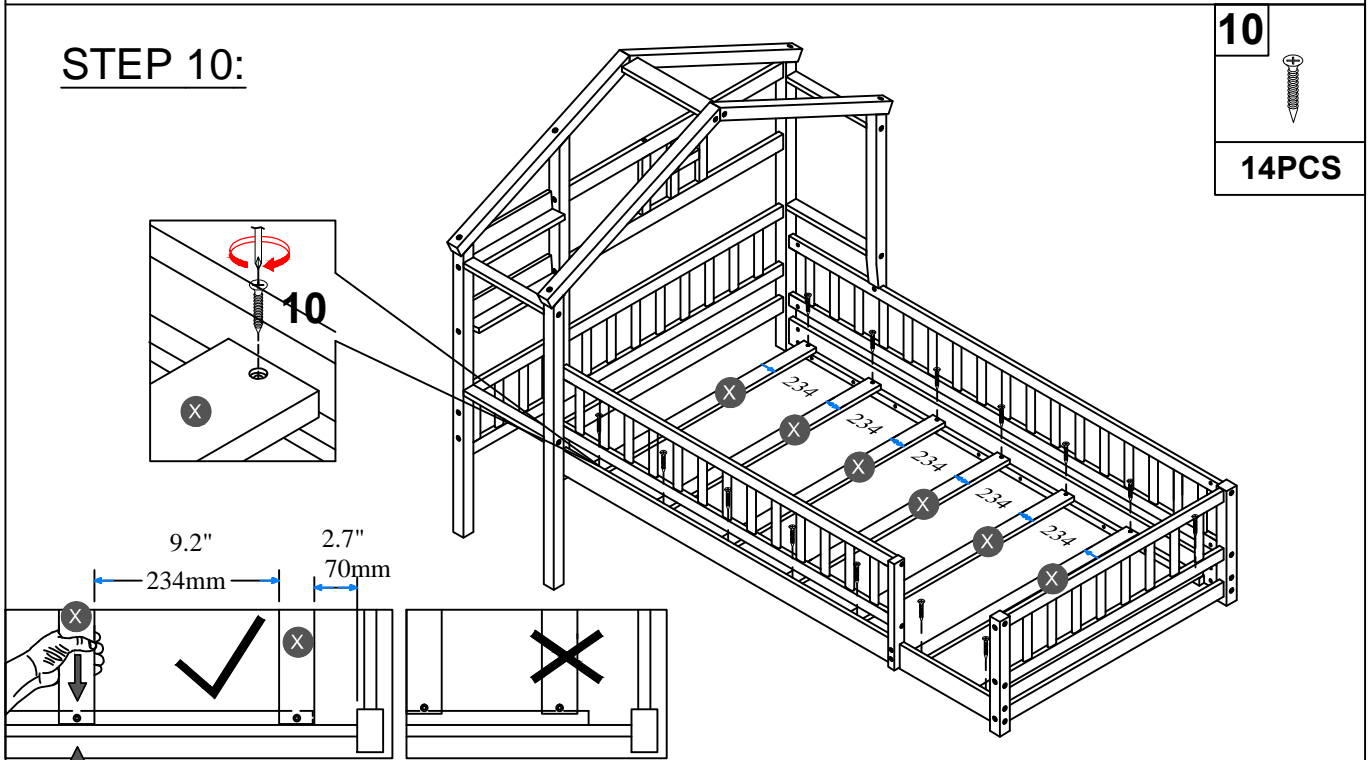
6		3		7	
1PC		8PCS		8PCS	



STEP 9:






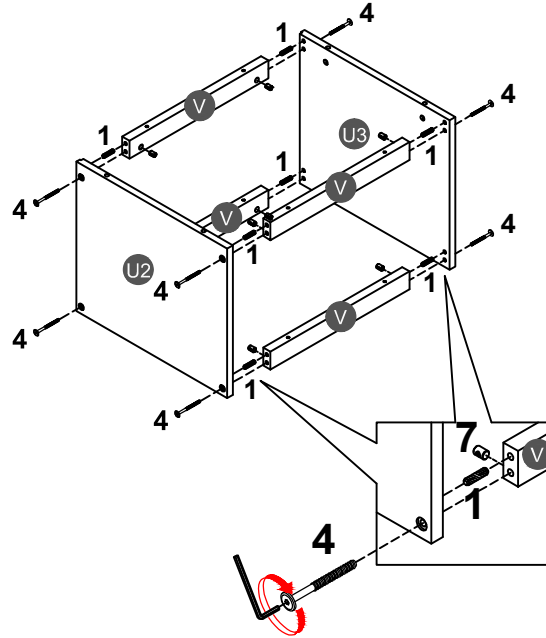
STEP 10:




NOTE: Please make sure the bed slats close to the side rail before locking the screws to avoid breakage. This step is required for both the left and right sides. Moreover, please do not lock the screws of the bed slats at the outermost edge to avoid damaging.

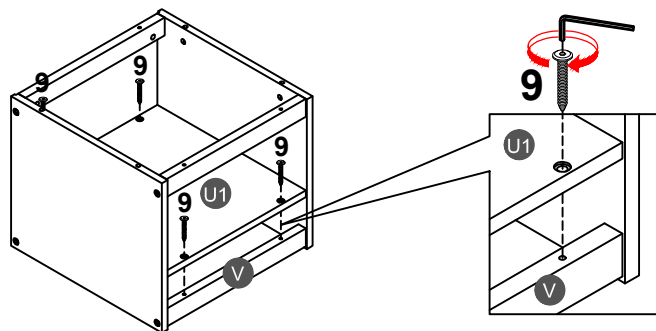
STEP 11:

1 	4 	7 
8PCS	8PCS	8PCS






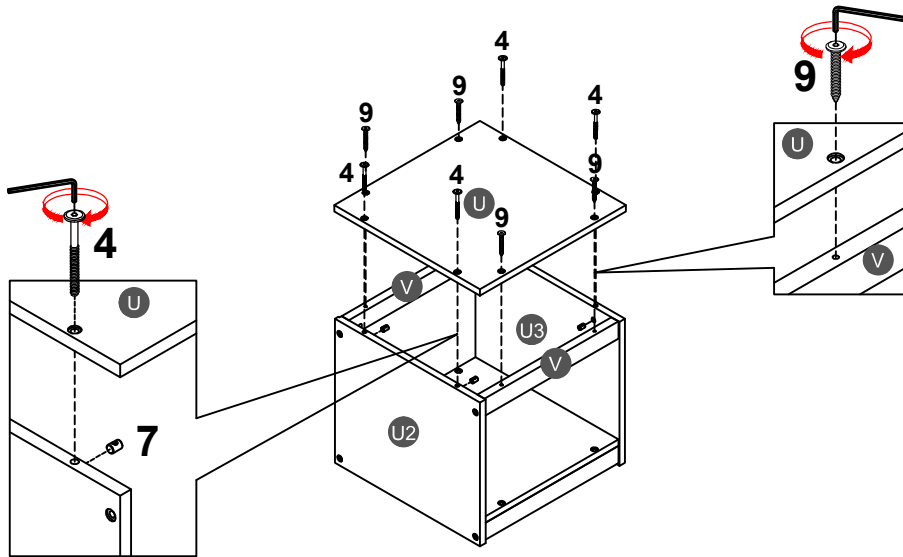
STEP 12:

9 
4PCS

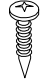


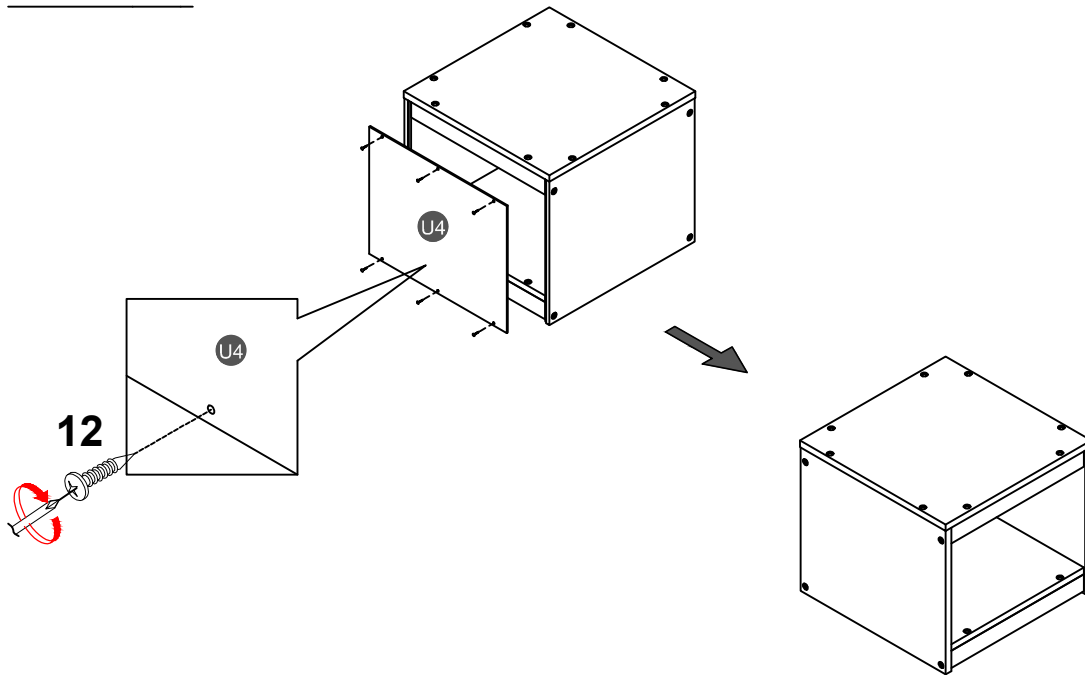
STEP 13:

4		7		9	
4PCS		4PCS		4PCS	

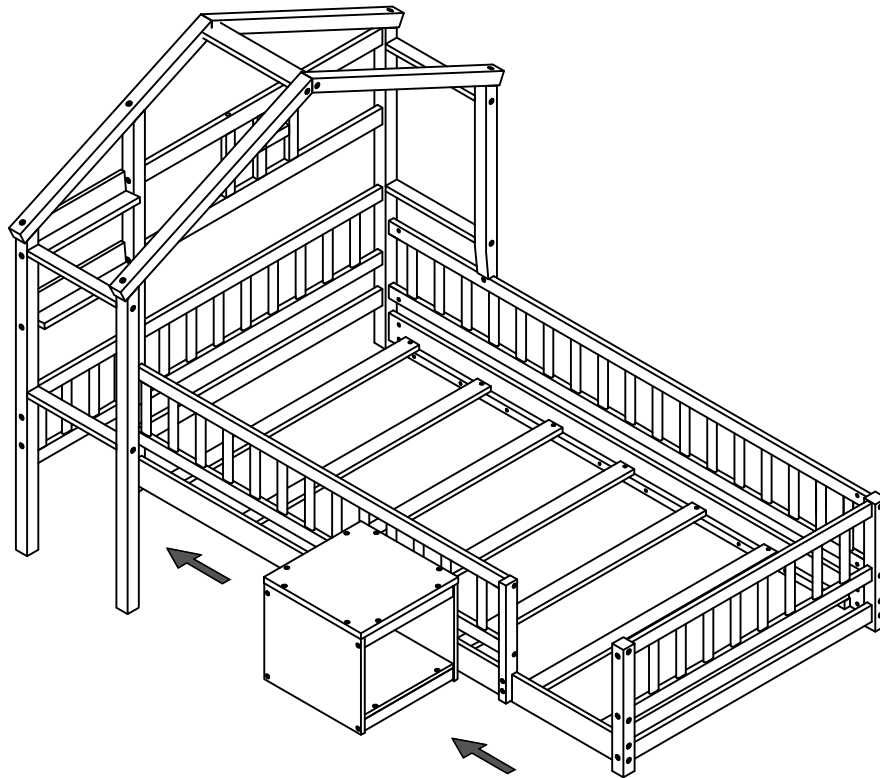


STEP 14:


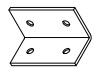
12	
6PCS	

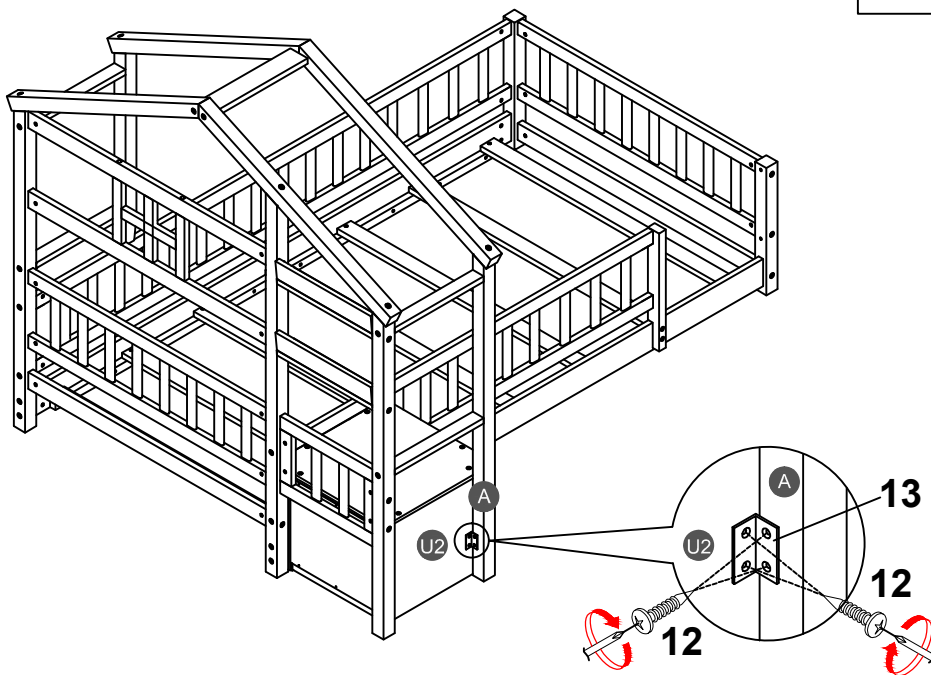


STEP 15:

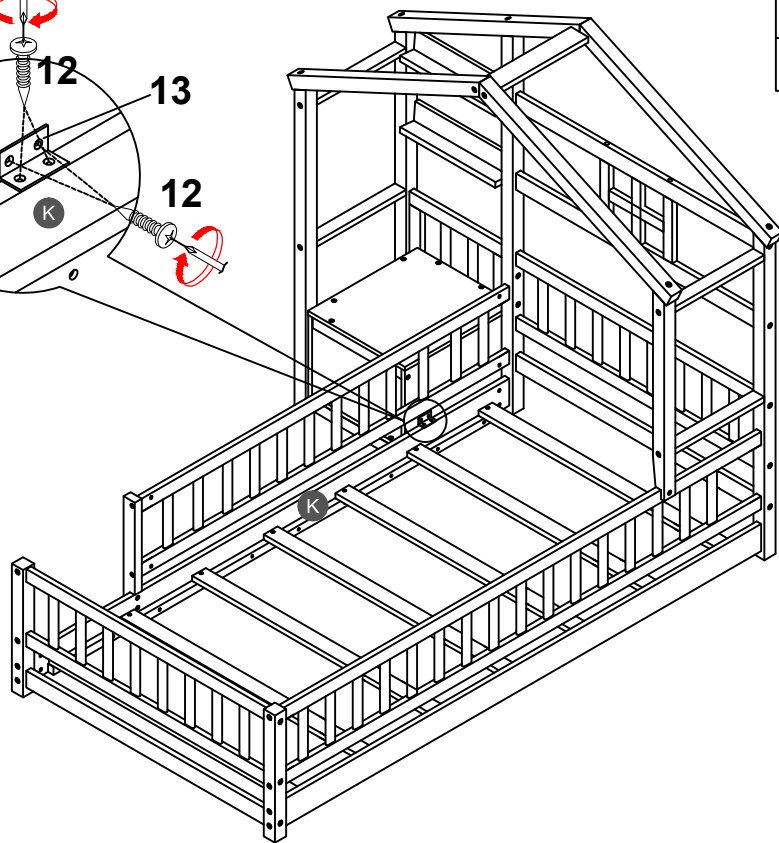
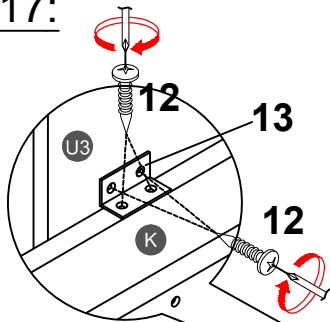


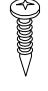
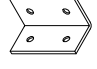
STEP 16:

12 	13 
4PCS	1PC



STEP 17:



12	13
	
4PCS	1PC

