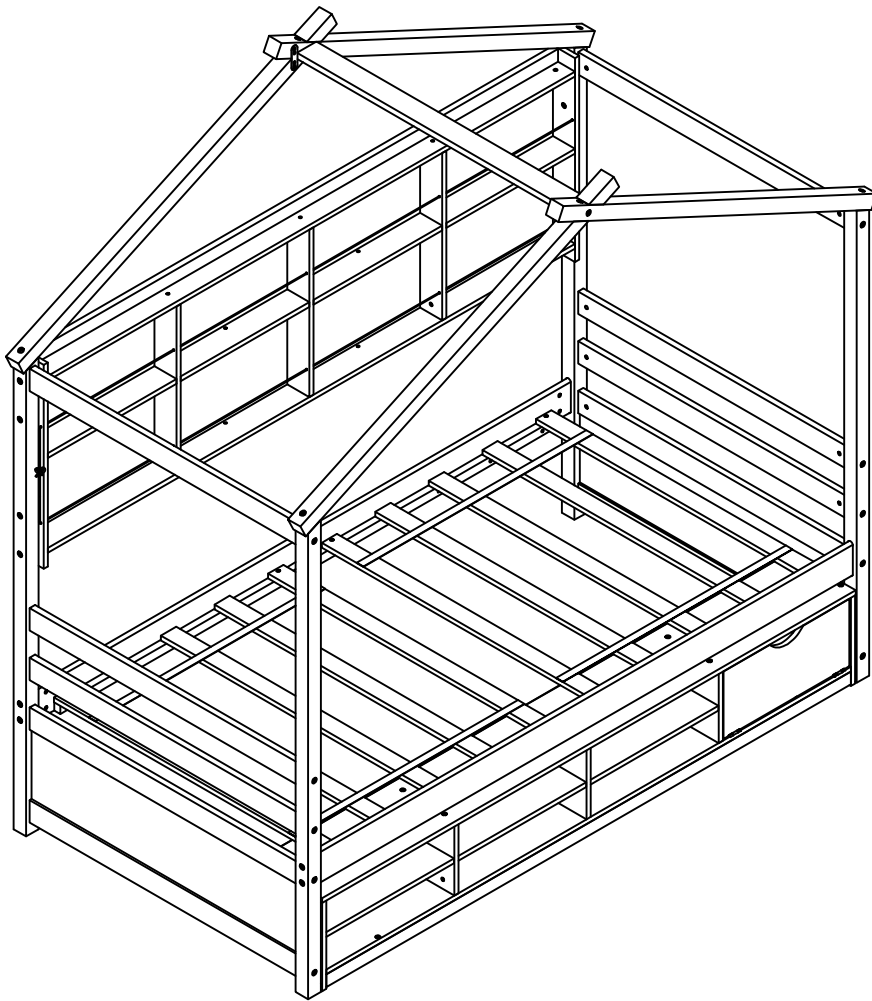


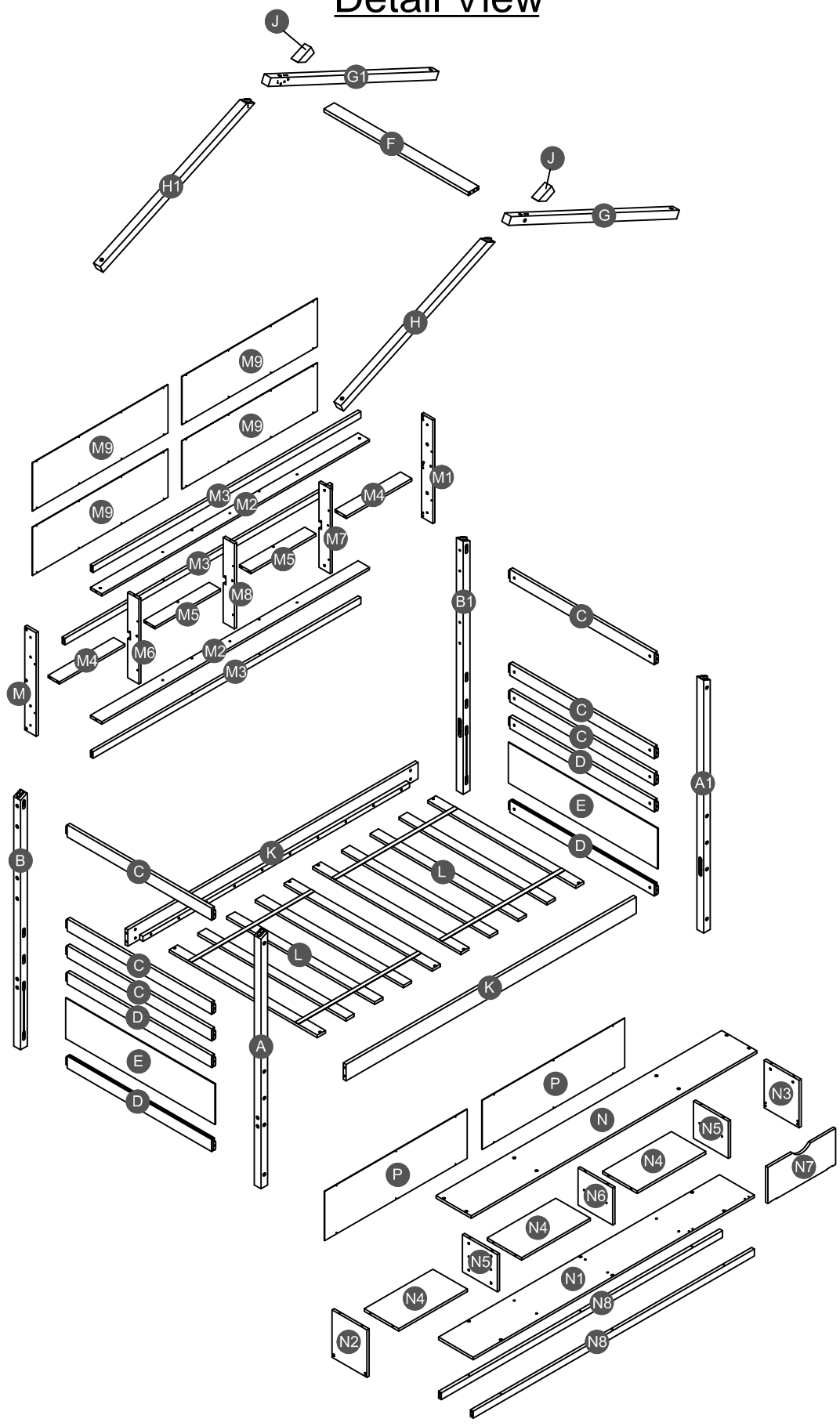
ASSEMBLY INSTRUCTIONS

TWIN HOUSE BED WITH SHELF



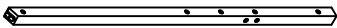
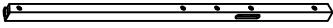
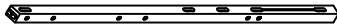
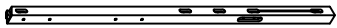
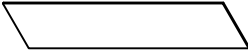
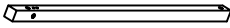
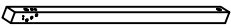
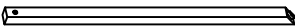
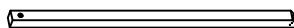



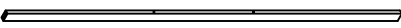
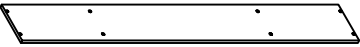


SA33829

Detail View



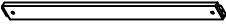
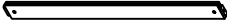

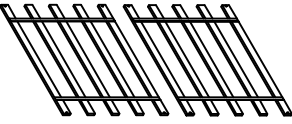
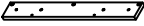

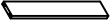
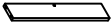


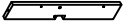
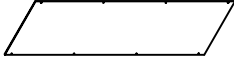


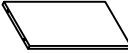

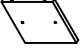

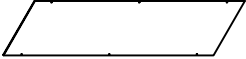
Part List

SA33829 (2-1) + Hardware inside

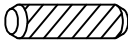
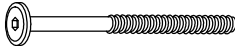
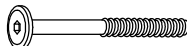
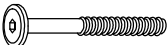




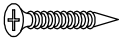



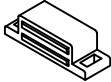
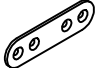

<p>A</p>  <p>Leg (Left Front) - 1pc</p>	<p>A1</p>  <p>Leg (Right Front) - 1pc</p>	<p>B</p>  <p>Leg (Left Back) - 1pc</p>
<p>B1</p>  <p>Leg (Right Back) - 1pc</p>	<p>E</p>  <p>Side panel - 2pcs</p>	<p>G</p>  <p>Upper (Right Front) - 1pc</p>
<p>G1</p>  <p>Upper (Right Back) - 1pc</p>	<p>H</p>  <p>Upper (Left Front) - 1pc</p>	<p>H1</p>  <p>Upper (Left Back) - 1pc</p>
<p>J</p>  <p>Block - 2pcs</p>	<p>K</p>  <p>Side rail - 2pcs</p>	<p>M2</p>  <p>Top panel + Bottom panel - 2pcs</p>
<p>M3</p>  <p>Horizontal bar (Back) - 3pcs</p>	<p>N</p>  <p>Top panel - 1pc</p>	<p>N1</p>  <p>Bottom panel - 1pc</p>
<p>N8</p>  <p>Lower horizontal bar - 2pcs</p>		

Part List

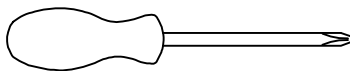
SA33829 (2-2)

<p>C</p>  <p>Horizontal bar - 6pcs</p>	<p>D</p>  <p>Horizontal bar - 4pcs</p>	<p>F</p>  <p>Upper horizontal bar - 1pc</p>
<p>L</p>  <p>Slat - 2sets (5pcs/set)</p>	<p>M</p>  <p>Side panel (Left) - 1pc</p>	<p>M1</p>  <p>Side panel (Right) - 1pc</p>
<p>M4</p>  <p>Shelf panel (Left/Right) - 2pcs</p>	<p>M5</p>  <p>Divider shelf panel - 2pcs</p>	<p>M6</p>  <p>Divider panel (Left) - 1pc</p>
<p>M7</p>  <p>Divider panel (Right) - 1pc</p>	<p>M8</p>  <p>Divider panel - 1pc</p>	<p>M9</p>  <p>Back panel - 4pcs</p>
<p>N2</p>  <p>Side panel (Left) - 1pc</p>	<p>N3</p>  <p>Side panel (Right) - 1pc</p>	<p>N4</p>  <p>Shelf panel - 3pcs</p>
<p>N5</p>  <p>Divider panel (Left/Right) - 2pcs</p>	<p>N6</p>  <p>Divider panel - 1pc</p>	<p>N7</p>  <p>Front panel (Right) - 1pc</p>
<p>P</p>  <p>Back panel - 2pcs</p>		

Hardware List SA33829 (2-1)

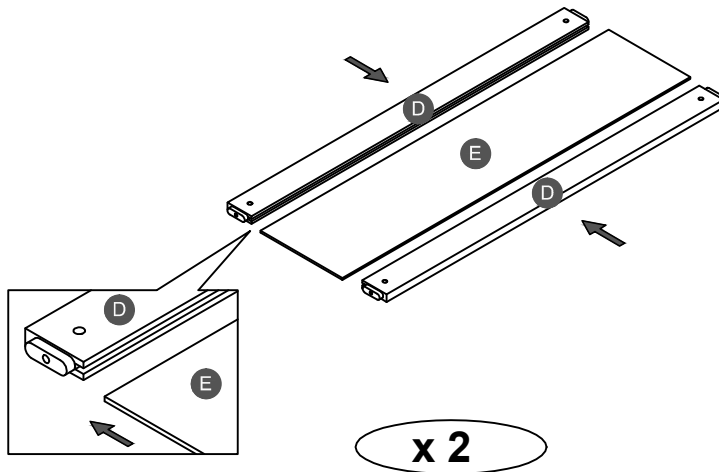
1  Ø8*30mm Wood dowel (48pcs)	2  (Ø15)1/4"*100mm Hex-Head bolts (12pcs)	3  (Ø15)1/4"*80mm Hex-Head bolts (22pcs)
4  (Ø12)1/4"*60mm Hex-Head bolts (30pcs)	5  1/4"*15 (9.5mm) Horizontal-Hole bolts(60pcs)	6  (Ø12)1/4"*65mm Hex-Head bolts (8pcs)
7  (Ø12)1/4"*40mm Hex-Head bolts (14pcs)	8  (1/4")4.5*58mm Allen key (1pc)	9  Ø4*30mm Wood screws (8pcs)
10  Ø3.5*15mm Wood screws (44pcs)	11  Ø3.5*15mm Wood screws (16pcs)	12  42*12*1mm Metal magnet (1pc)
13  45*17*13mm Door catch (1pc)	14  75*20*2 mm Metal bracket (2pcs)	15  Ø4*5000mm Active cord (1pc)

ASSEMBLY TOOLS REQUIRED (NOT INCLUDED)





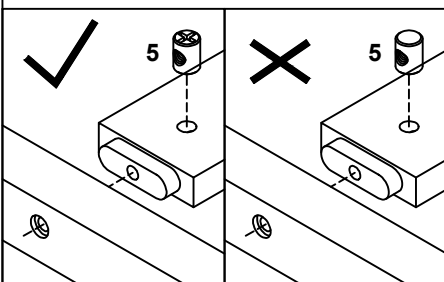
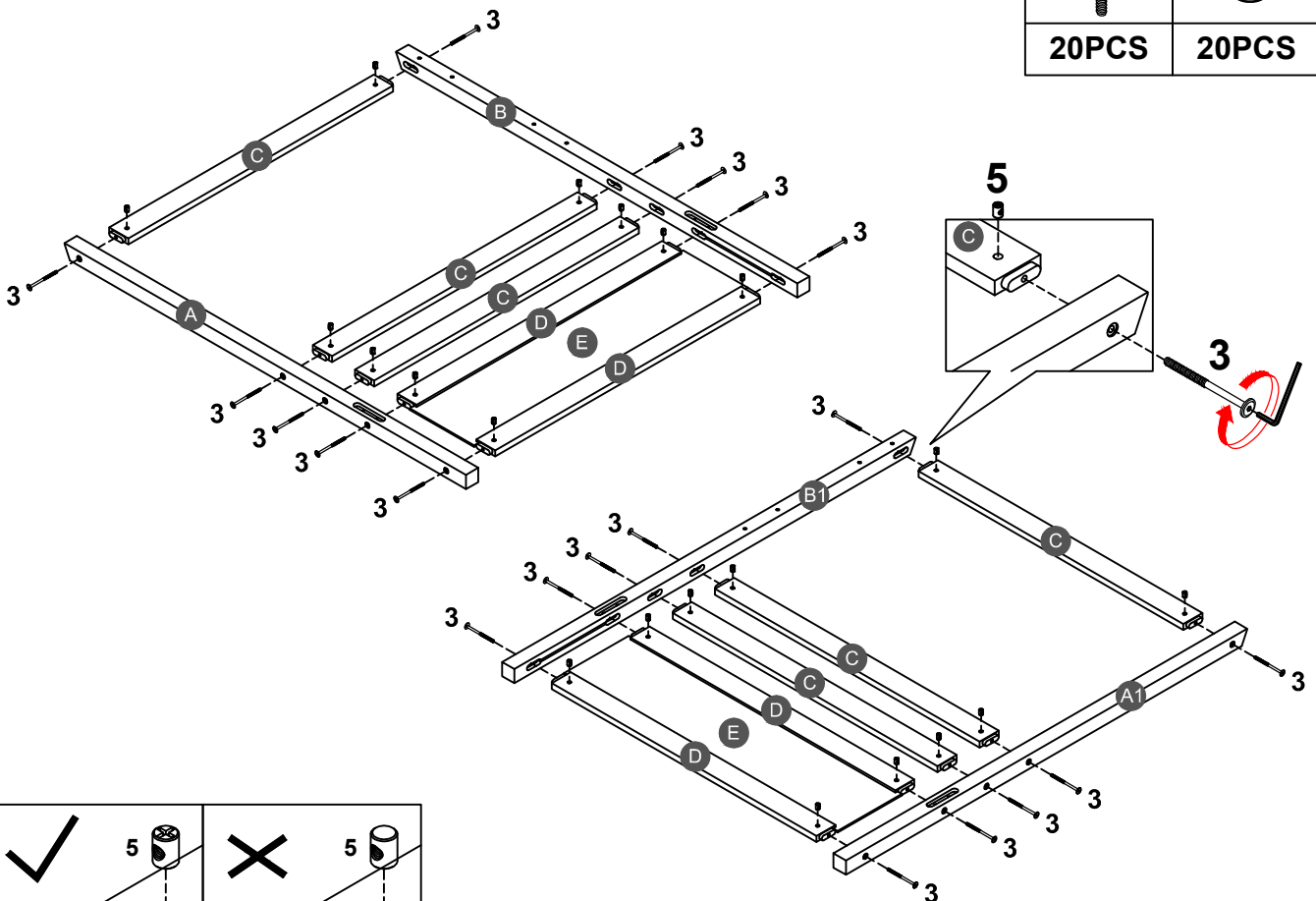
PLEASE BE CAREFUL DO NOT DAMAGE THE HOLE POSITION WHEN YOU USE POWER TOOLS !

STEP 1:





STEP 2:

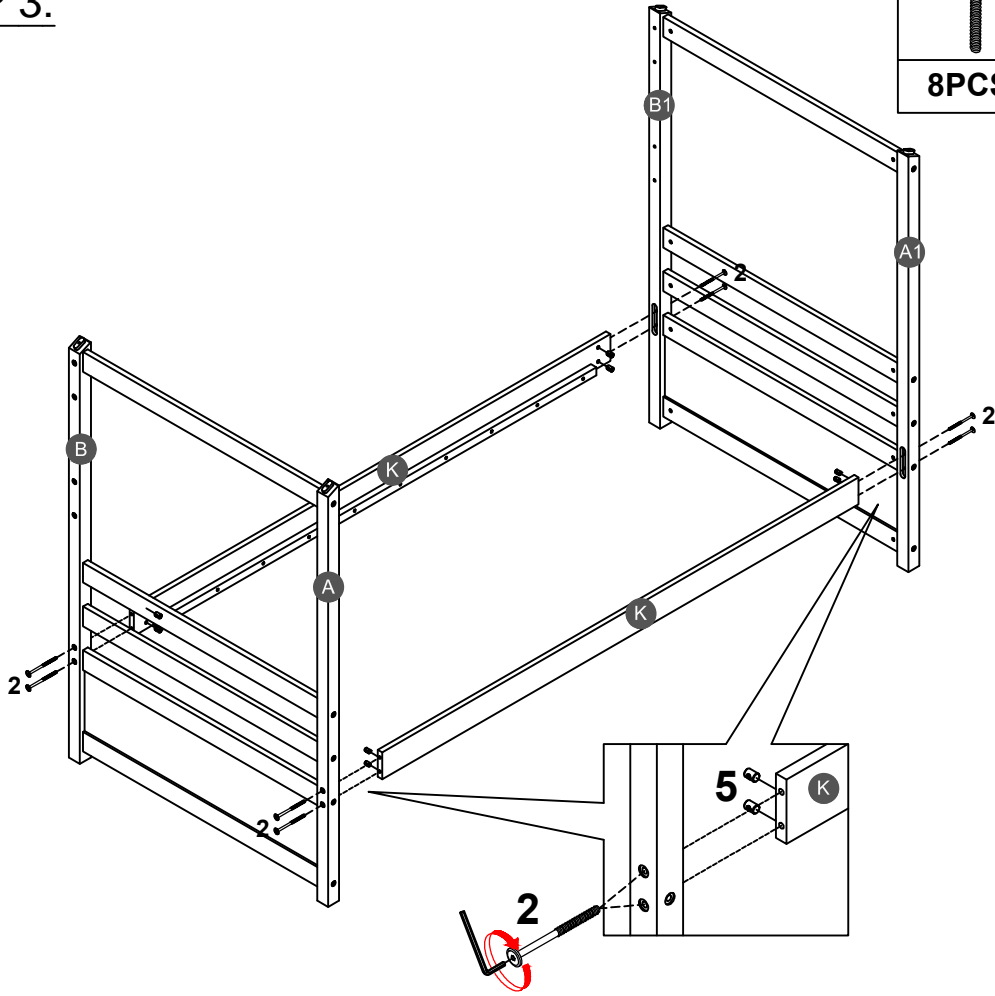
3	5
	
20PCS	20PCS




Note: Part 5 will face up with the "x" mark on it, otherwise it cannot be tightened

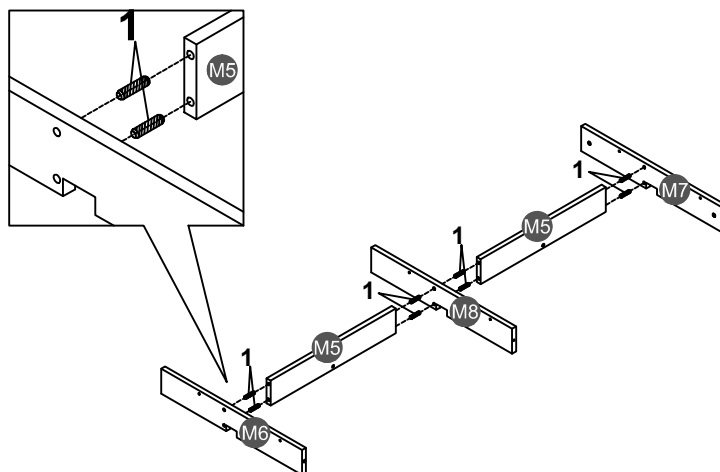
STEP 3:

2		5	
8PCS		8PCS	






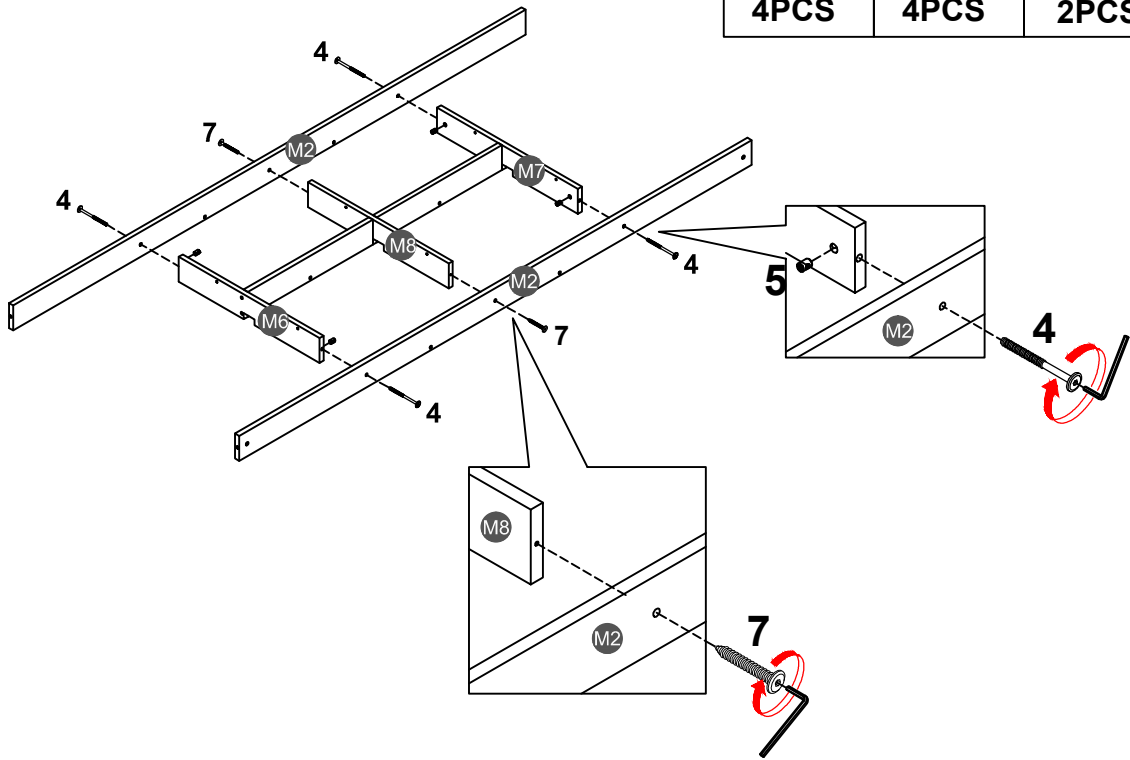
STEP 4:

1	
8PCS	






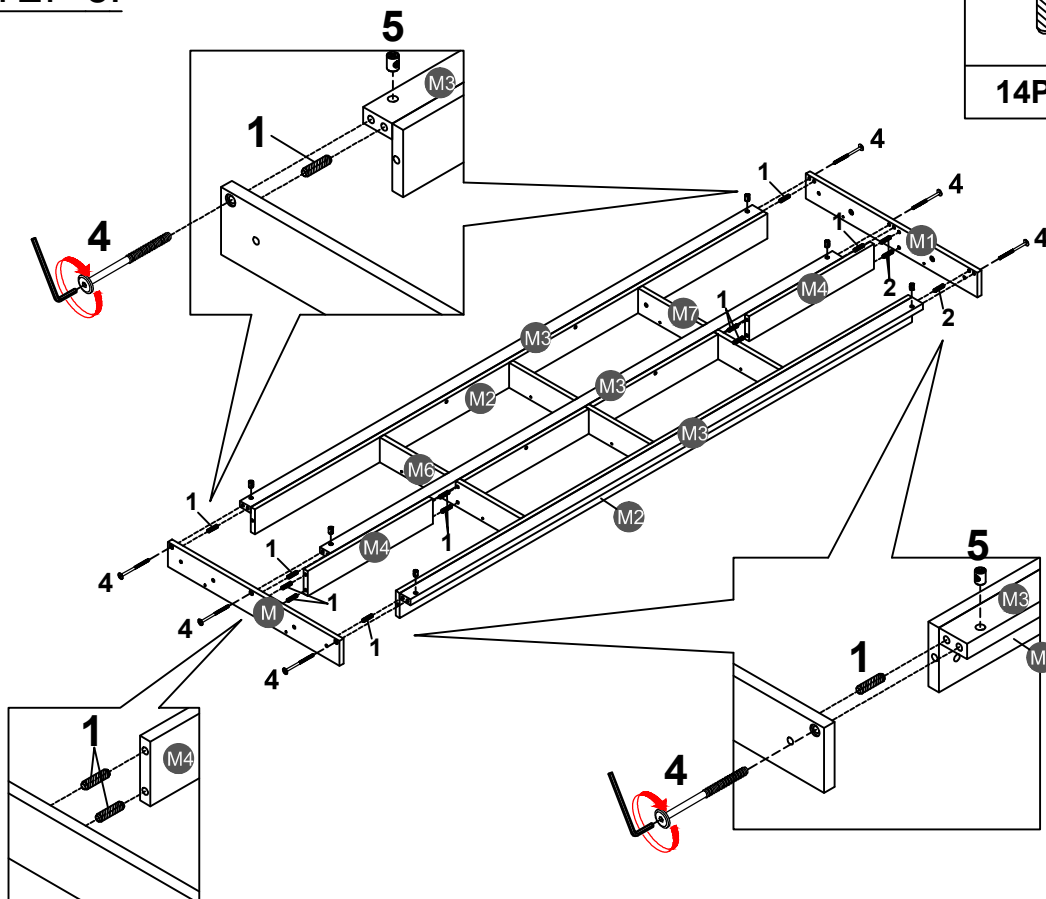
STEP 5:

4		5		7	
4PCS		4PCS		2PCS	



STEP 6:

1		4	
14PCS		6PCS	
5		6PCS	

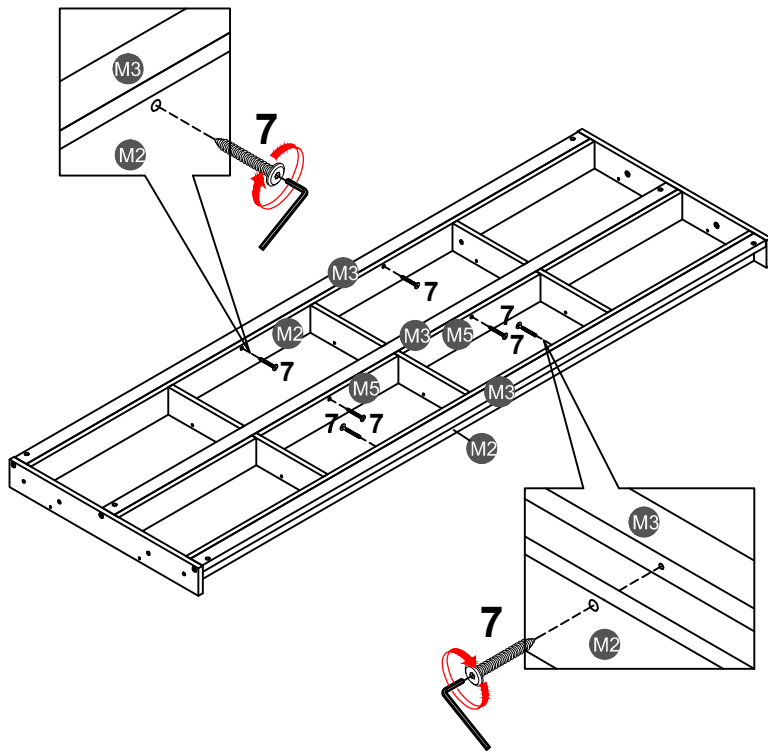


STEP 7:

7



6PCS

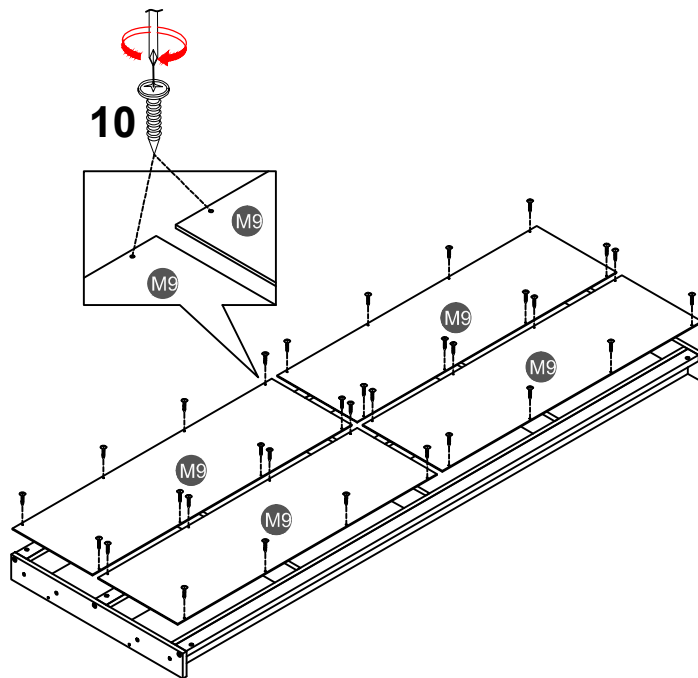


STEP 8:


10

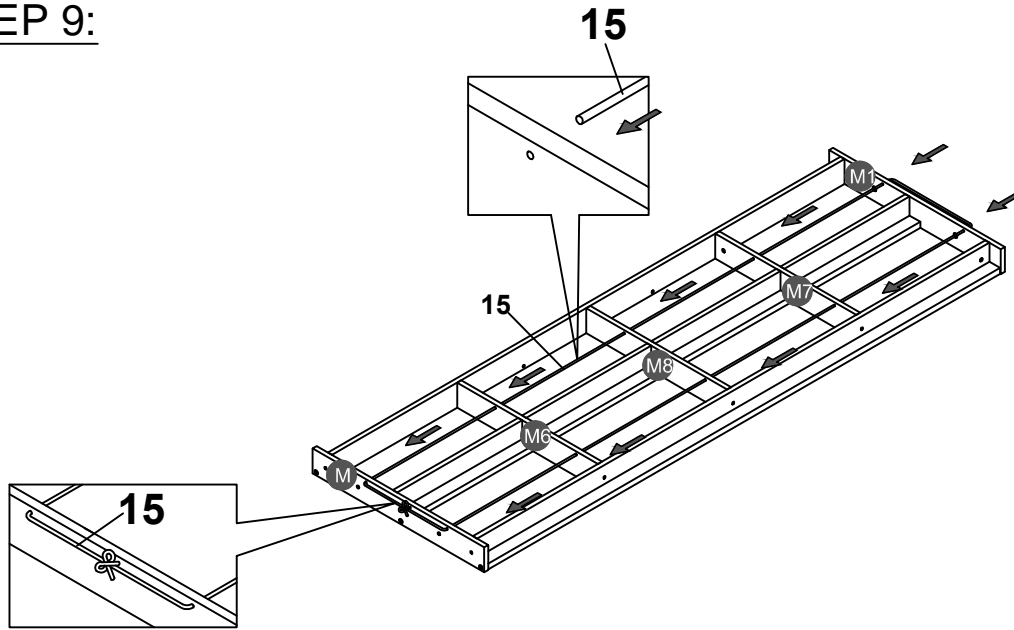


32PCS



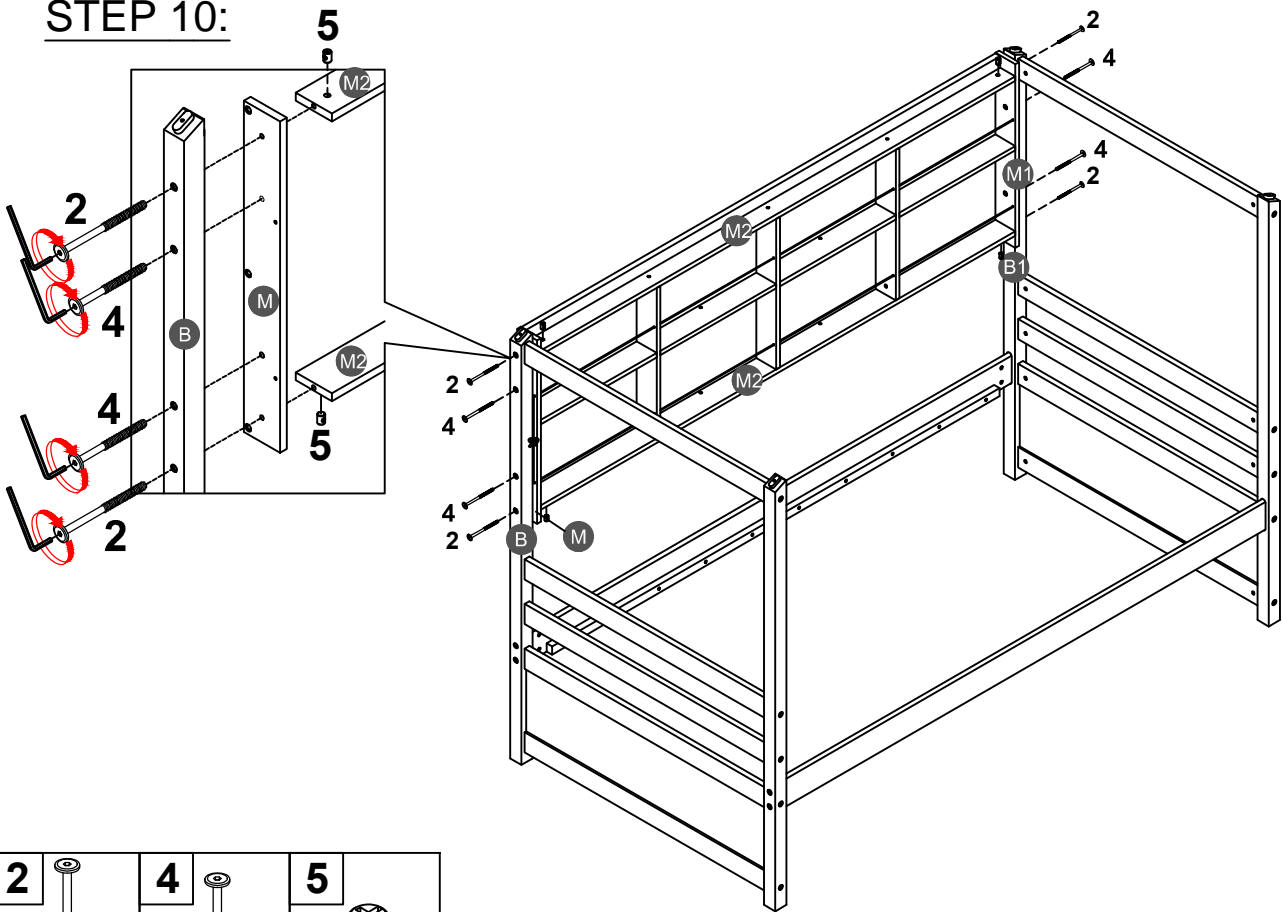
STEP 9:


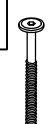

15

1PC



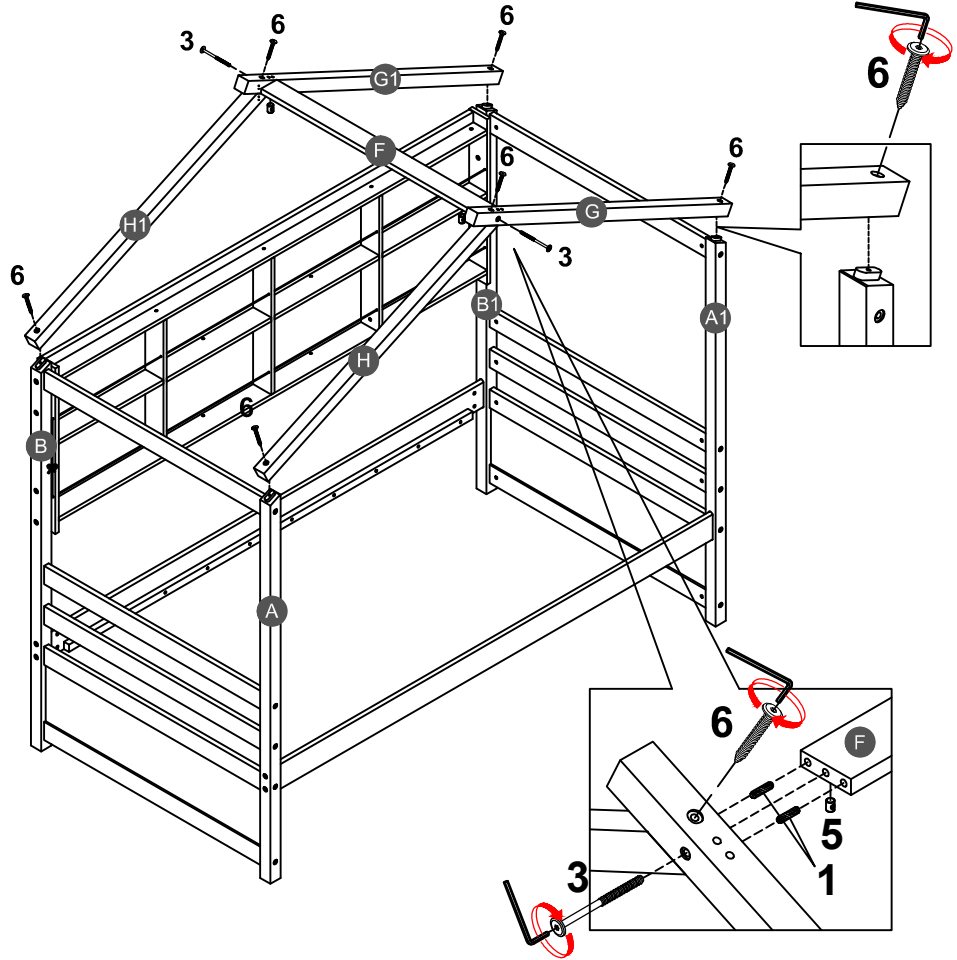
Thread the wire through the pre-drilled holes one round and end with a tight joint.

STEP 10:



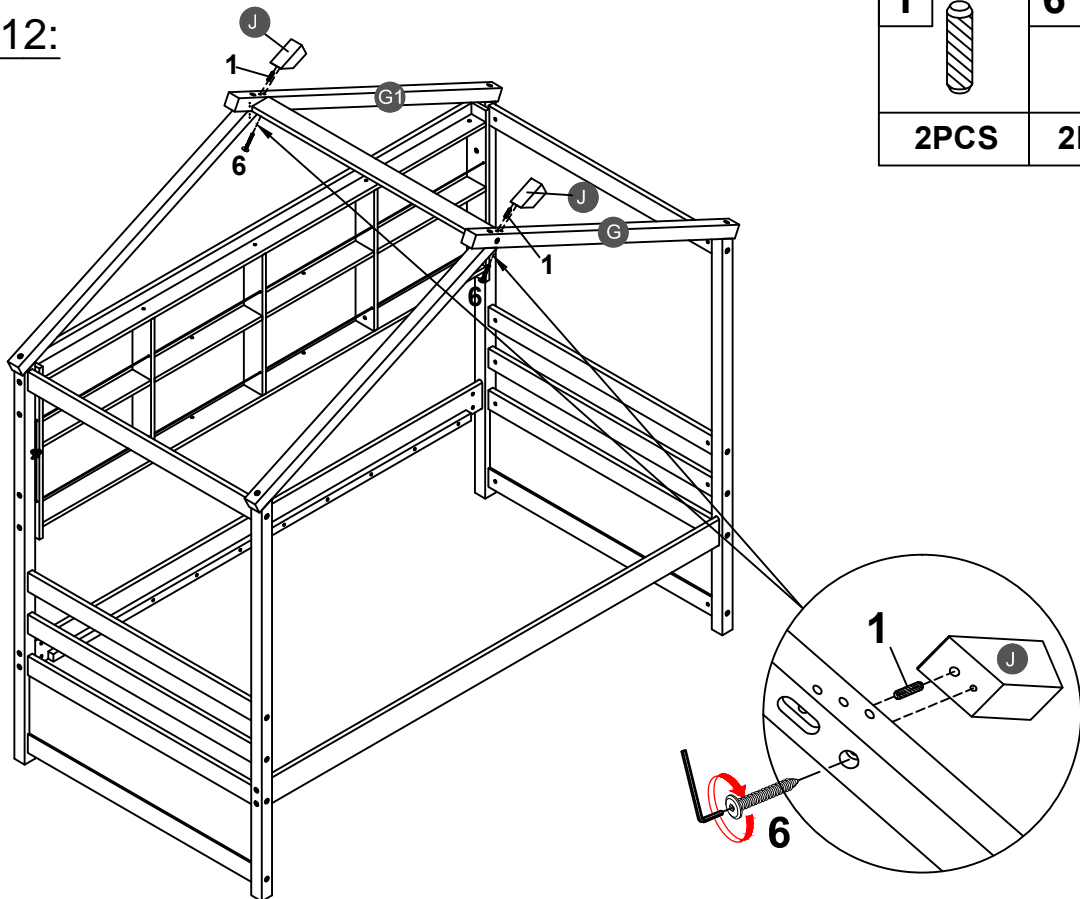
2 	4 	5 
4PCS	4PCS	4PCS

STEP 11:




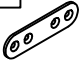
1	
4PCS	
3	
2PCS	
5	
2PCS	
6	
6PCS	

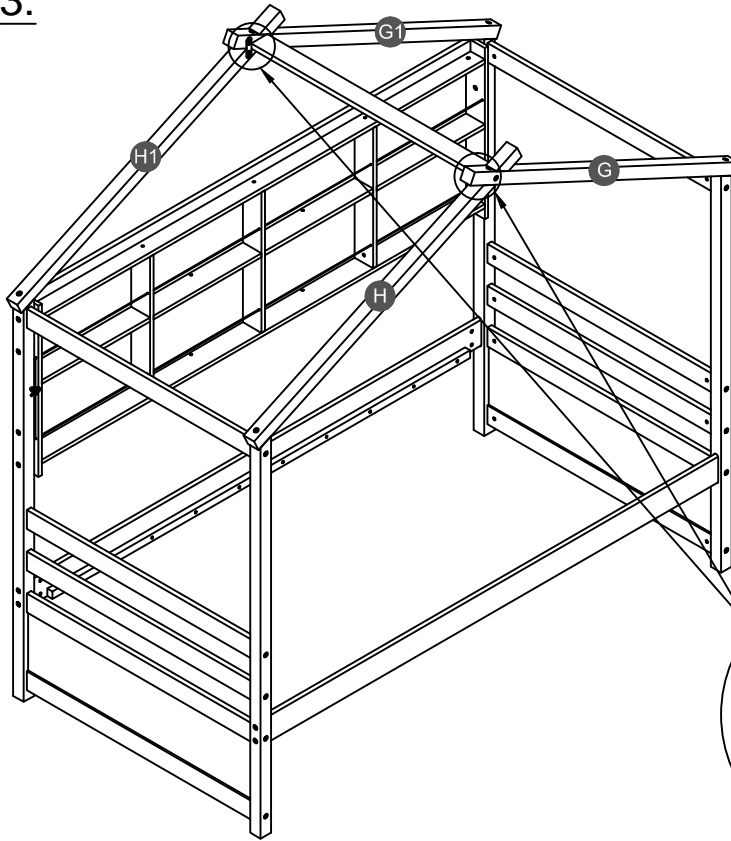
STEP 12:




1		6	
2PCS		2PCS	

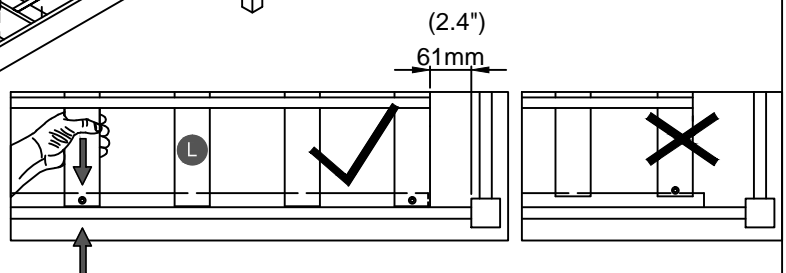
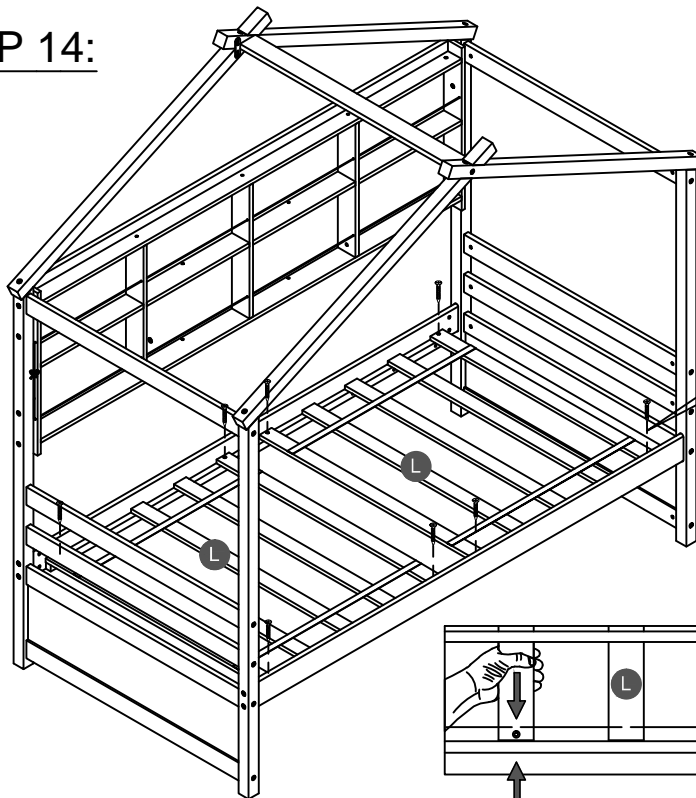
STEP 13:

11		14	
8PCS		2PCS	



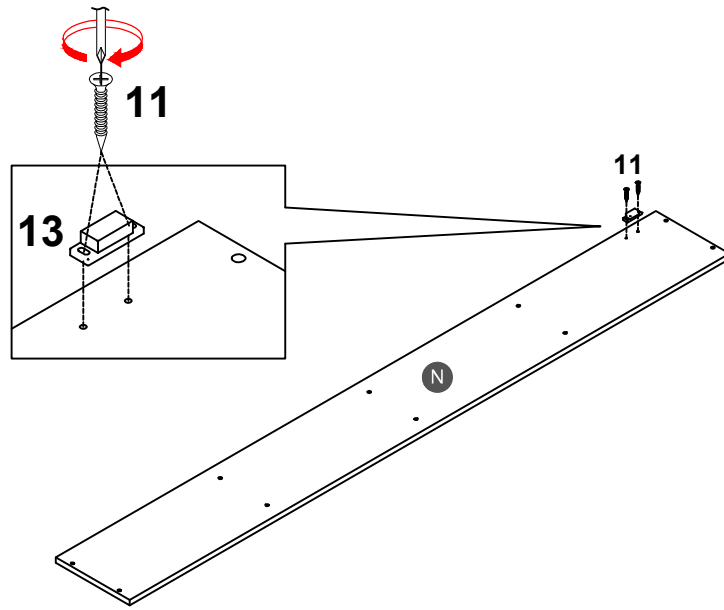
STEP 14:


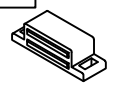
9	
8PCS	



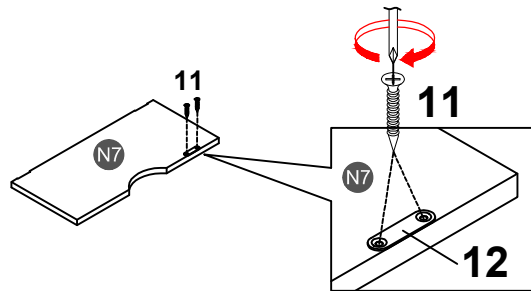
NOTE: Please make sure the bed slats close to the side rail before locking the screws to avoid breakage. This step is required for both the left and right sides. Moreover, please do not lock the screws of the bed slats at the outermost edge to avoid damaging.



STEP 15:



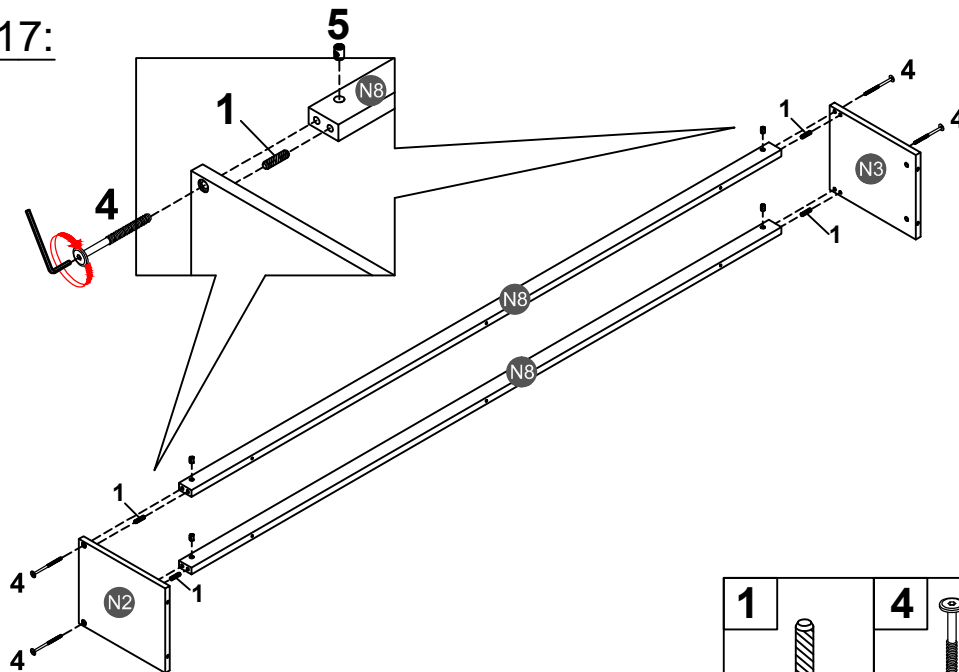
11		13	
	2PCS		1PC




STEP 16:



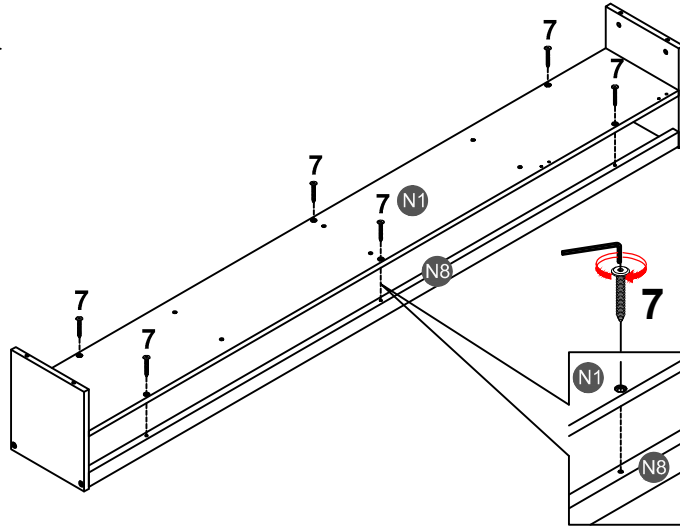
11		12	
	2PCS		1PC

STEP 17:



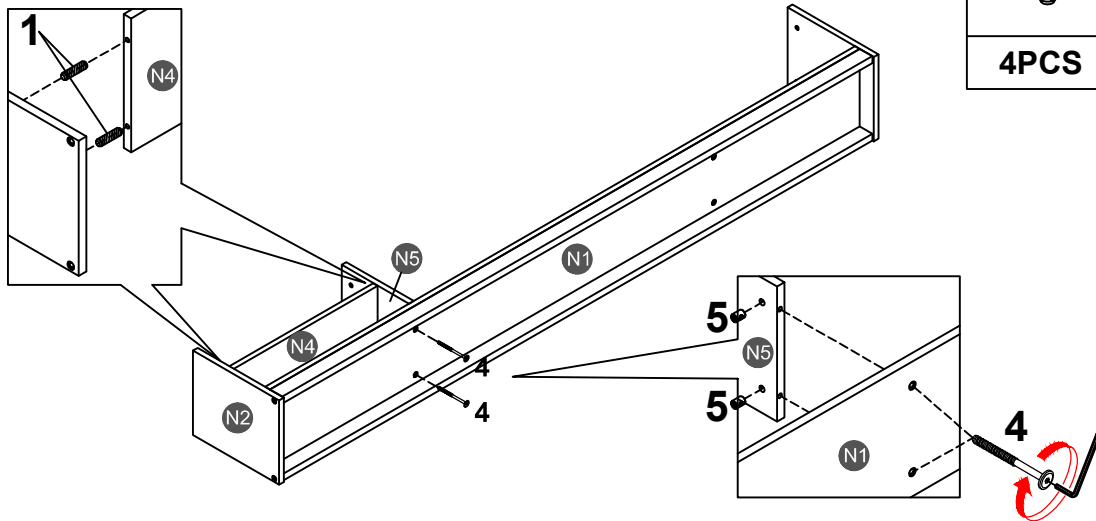
1		4		5	
	4PCS		4PCS		4PCS

STEP 18:



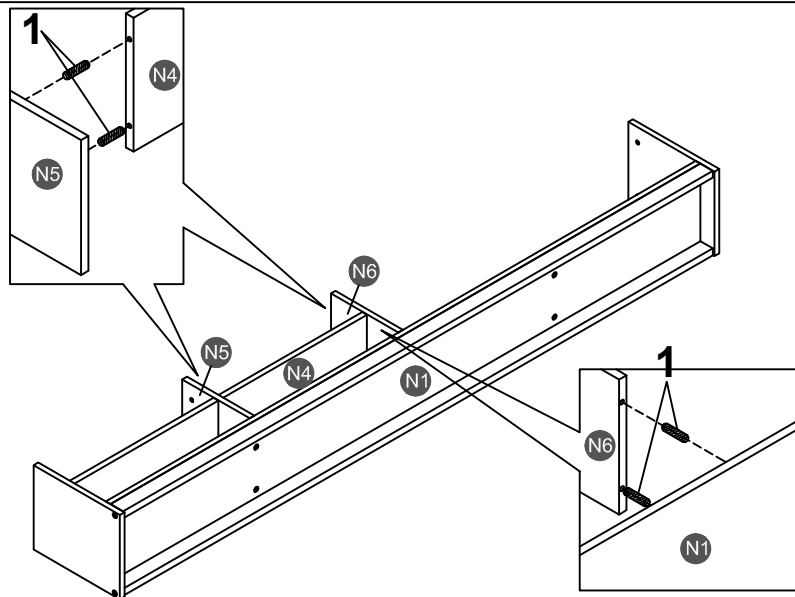
7	
6PCS	

STEP 19:



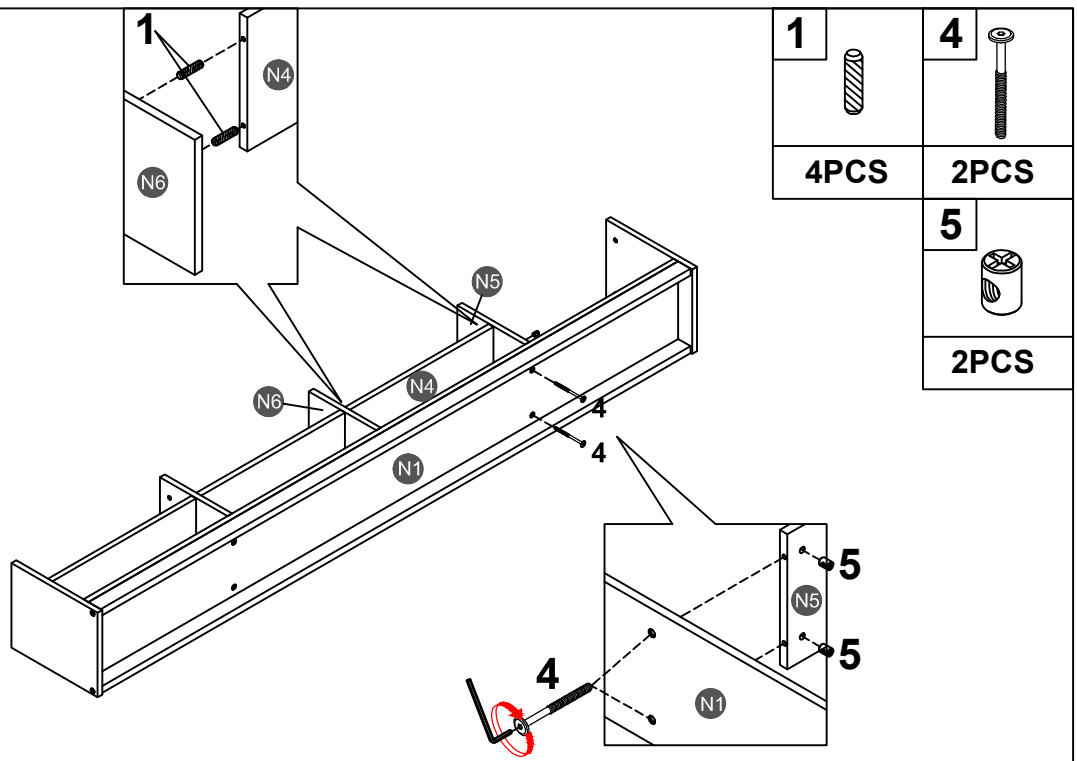
1		4	
4PCS		2PCS	
		5	
		2PCS	




STEP 20:



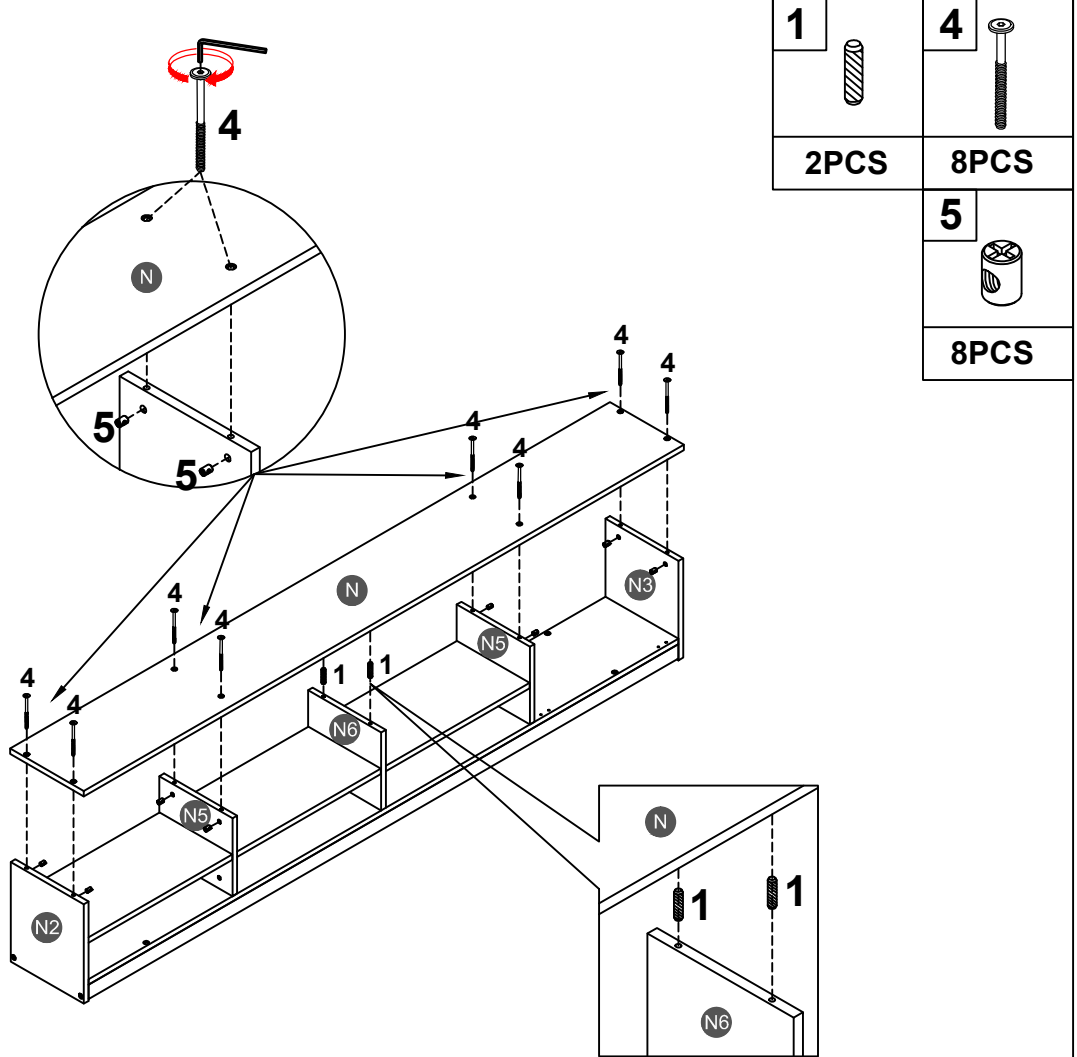
1	
6PCS	




STEP 21:



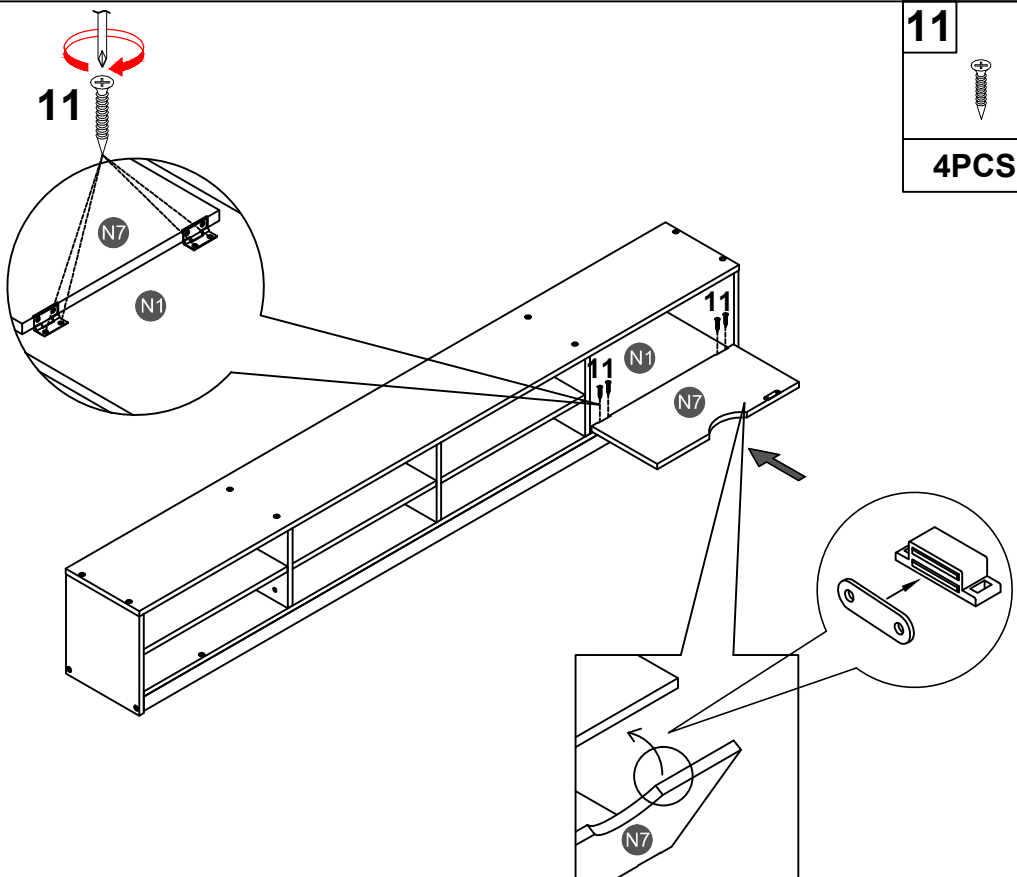
1		4	
4PCS		2PCS	
5			
2PCS			


STEP 22:



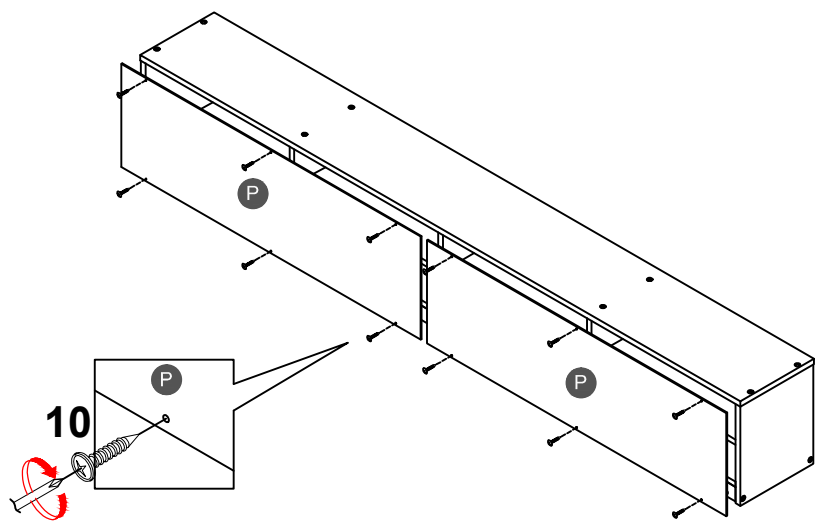
1		4	
2PCS		8PCS	
5			
8PCS			


STEP 23:



11

4PCS

STEP 24:



10

12PCS

STEP 25:

