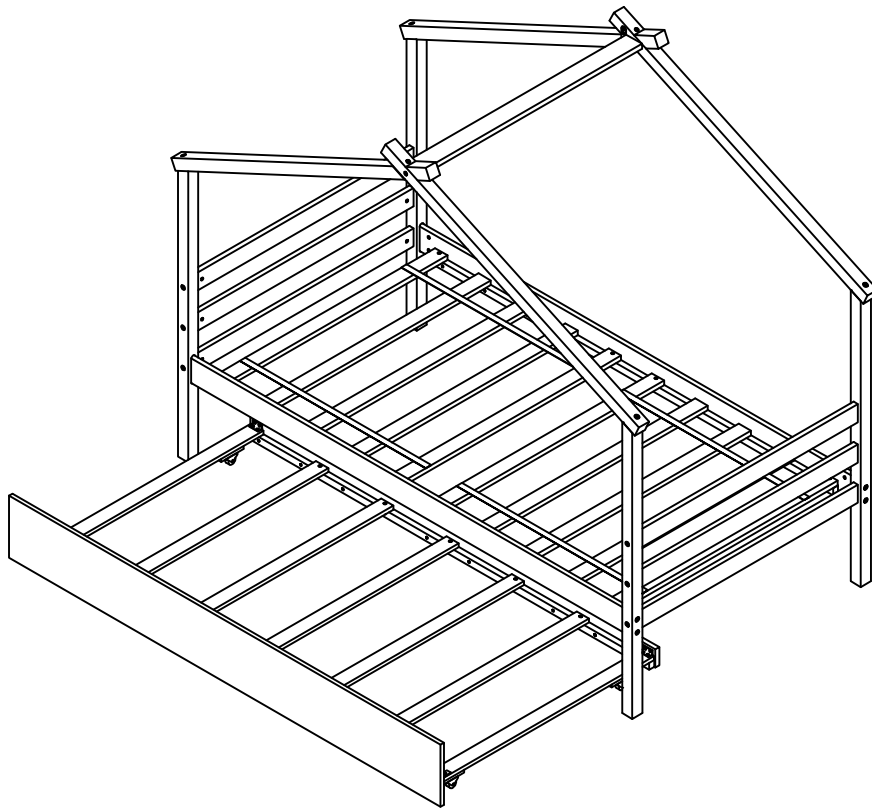


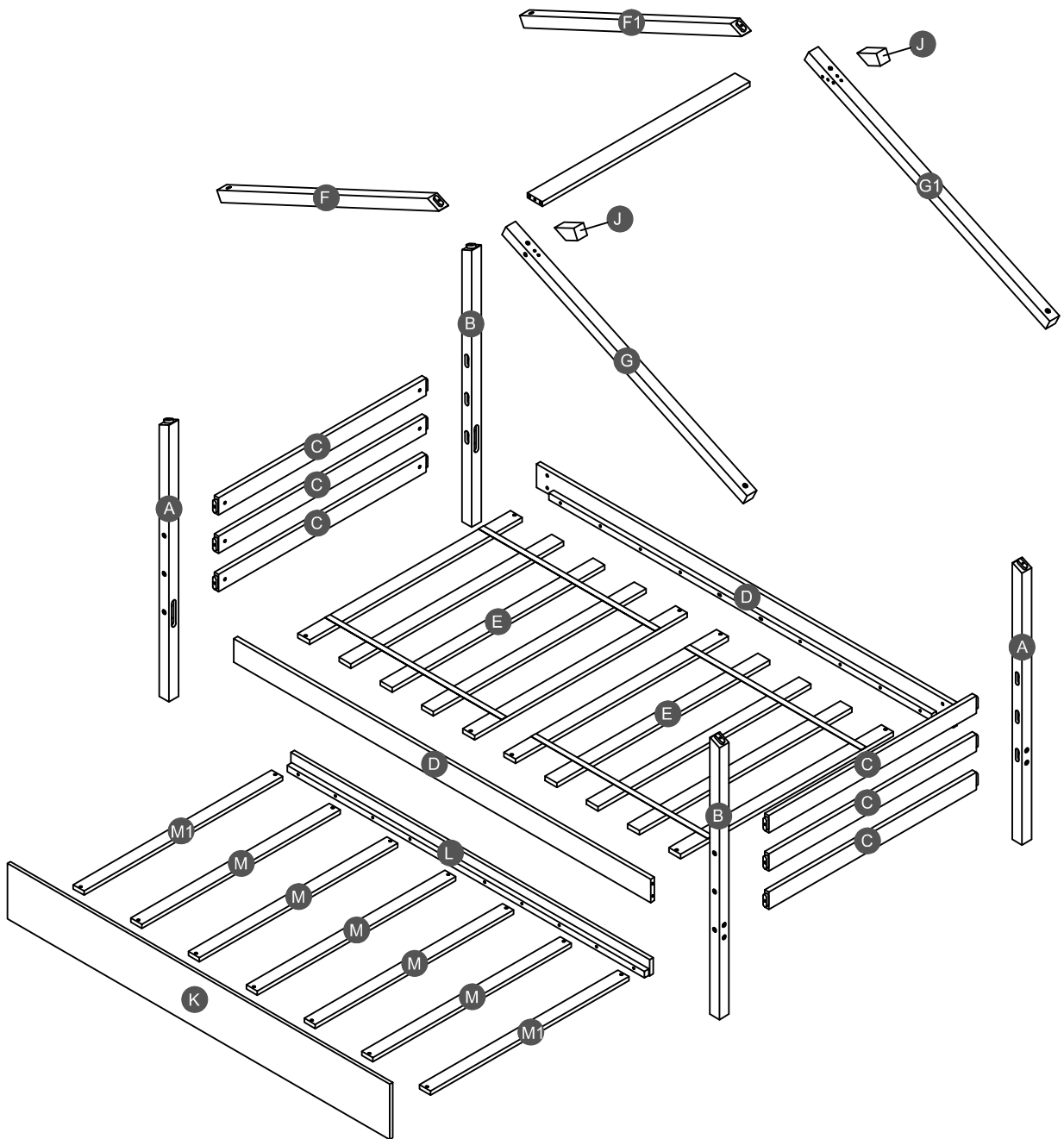
# ASSEMBLY INSTRUCTIONS

## TWIN HOUSE BED WITH TRUNDLE

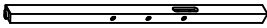
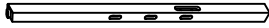

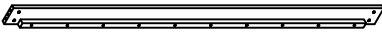
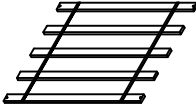
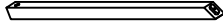
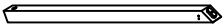
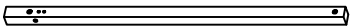
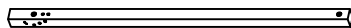
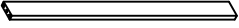

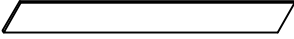

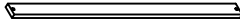
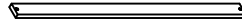


**SA33792**

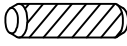
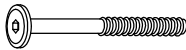
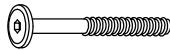


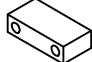



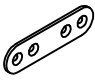

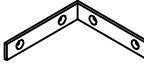


# Detail View



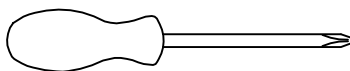
# Part List

<p><b>A</b></p>  <p>Leg (Left Front/Right Back) - 2pcs</p>	<p><b>B</b></p>  <p>Leg (Left Back/Right Front) - 2pcs</p>	<p><b>C</b></p>  <p>Horizontal bar HB/FB - 6pcs</p>
<p><b>D</b></p>  <p>Side rail - 2pcs</p>	<p><b>E</b></p>  <p>Slats - 2sets (5pcs/set)</p>	<p><b>F</b></p>  <p>Upper (Left Front) - 1pc</p>
<p><b>F1</b></p>  <p>Upper (Left Back) - 1pc</p>	<p><b>G</b></p>  <p>Upper (Right Front) - 1pc</p>	<p><b>G1</b></p>  <p>Upper (Right Back) - 1pc</p>
<p><b>H</b></p>  <p>Upper horizontal bar - 1pc</p>	<p><b>J</b></p>  <p>Block - 2pcs</p>	<p><b>K</b></p>  <p>Front panel of Trundle - 1pc</p>
<p><b>L</b></p>  <p>Back panel side rail of Trundle -1pc</p>	<p><b>M</b></p>  <p>Slats - 15pcs</p>	<p><b>M1</b></p>  <p>Slats - 2pcs</p>

# Hardware List



<b>1</b>  Ø8*30mm Wood dowel (6pcs)	<b>2</b>  (Ø15)1/4"*100mm Hex-Head bolts (8pcs)	<b>3</b>  (Ø15)1/4"*80mm Hex-Head bolts (14pcs)
<b>4</b>  (Ø12)1/4"*65mm Hex-Head bolts (8pcs)	<b>5</b>  1/4"*15 (9.5mm) Horizontal-Hole bolts(22pcs)	<b>6</b>  70*35*19 mm Trundle stopper (2pcs)
<b>7</b>  (1/4")4.5*58mm Allen key (1pc)	<b>8</b>  Ø4*30mm Wood screws (34pcs)	<b>9</b>  Ø3.5*19mm Wood screws (8pcs)
<b>10</b>  75*20*2 mm Metal bracket (2pcs)	<b>11</b>  100*63*20mm Wheels (4pcs)	<b>12</b>  95*95*18*3mm Metal bracket (2pcs)
<b>13</b>  40*18*18*2mm Metal bracket (2pcs)	<b>14</b>  Ø3.5*15mm Wood screws (16pcs)	

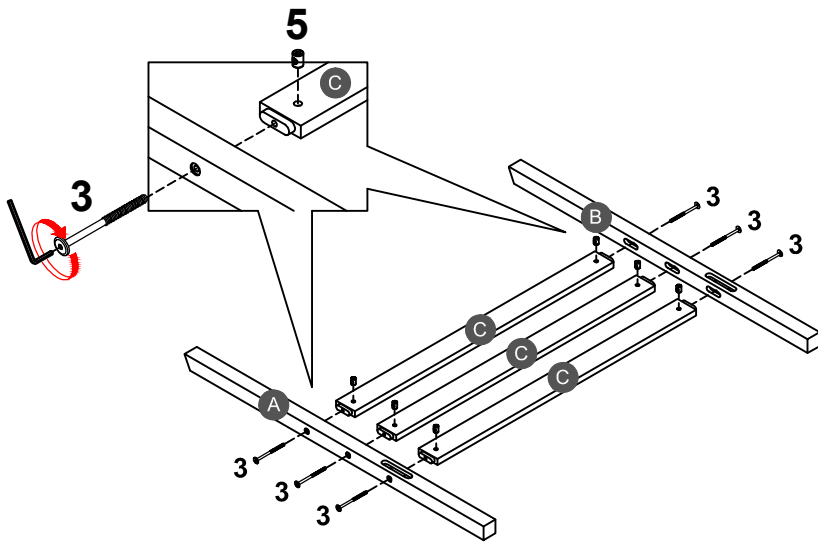
## ASSEMBLY TOOLS REQUIRED ( NOT INCLUDED )



PLEASE BE CAREFUL DO NOT DAMAGE THE HOLE POSITION WHEN YOU USE POWER TOOLS !

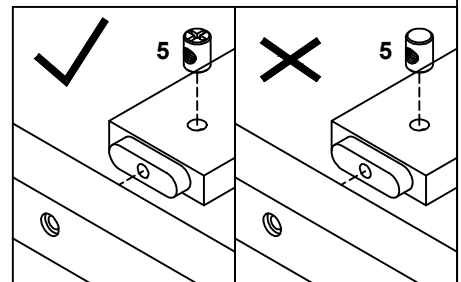
**STEP 1:**

<b>3</b>		<b>5</b>	
	<b>12PCS</b>		<b>12PCS</b>

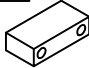



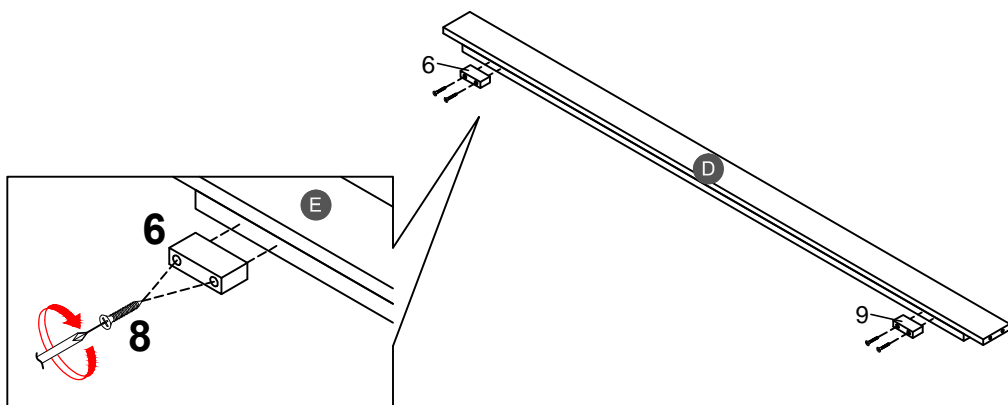
**2pcs**

Note: Part 5 will face up with the "x" mark on it, otherwise it cannot be tightened



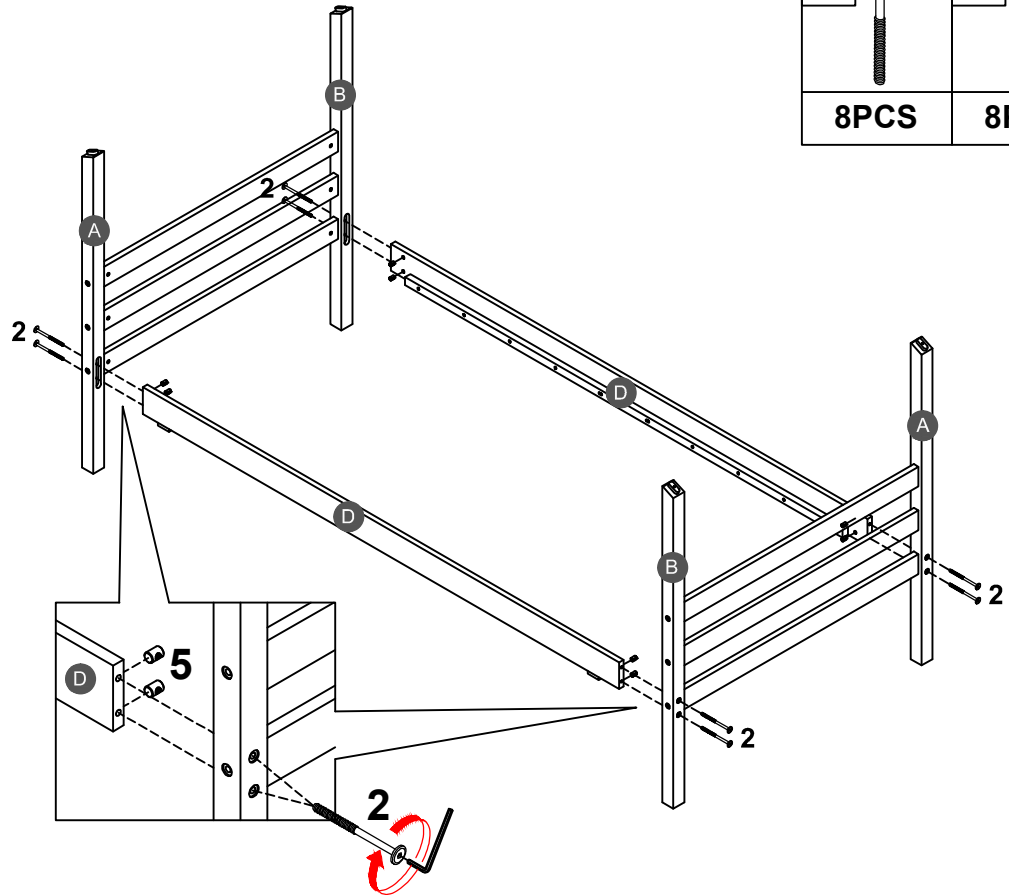
**STEP 2:**



<b>6</b>		<b>8</b>	
	<b>2PCS</b>		<b>4PCS</b>



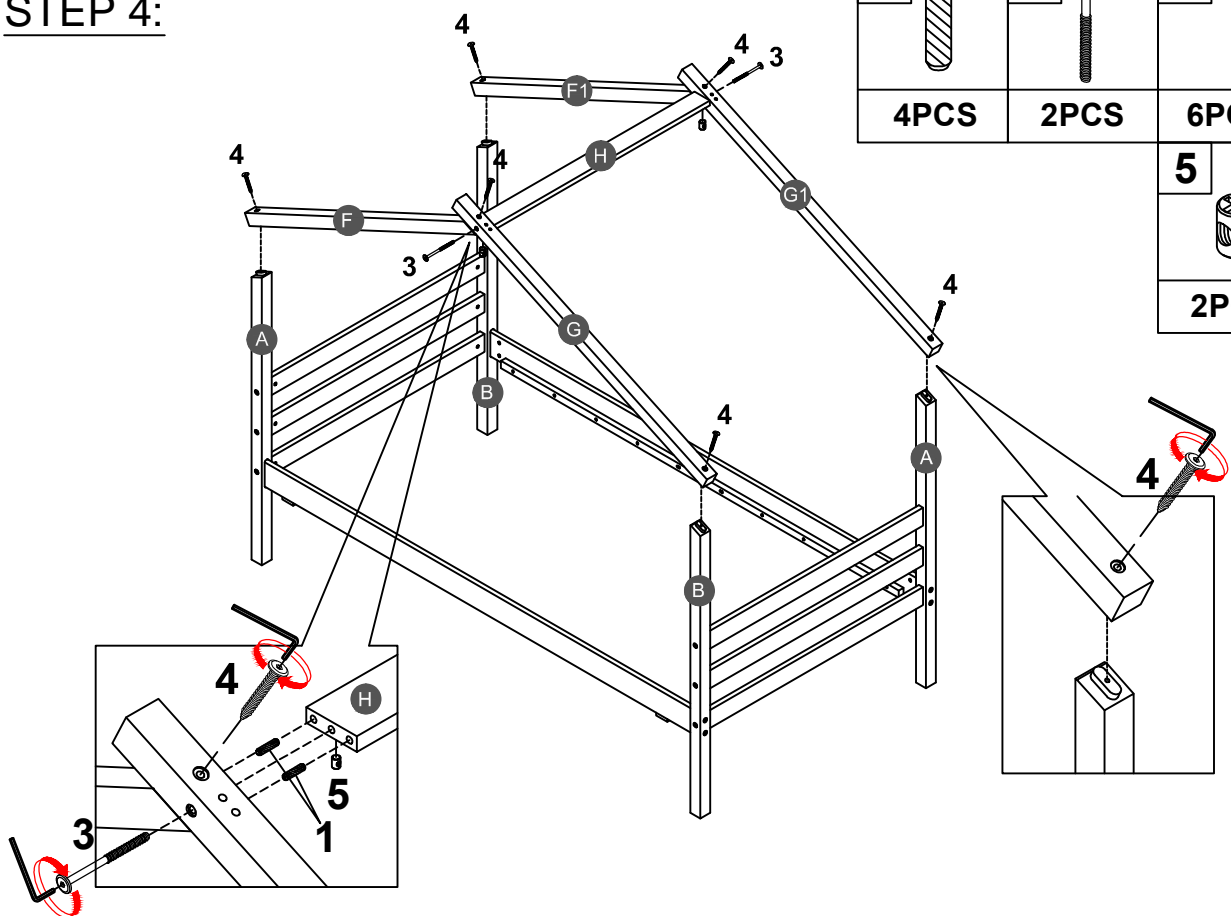
Drawer stopper (6) with lower side rail front (D) by using screw (8).





**STEP 3:**



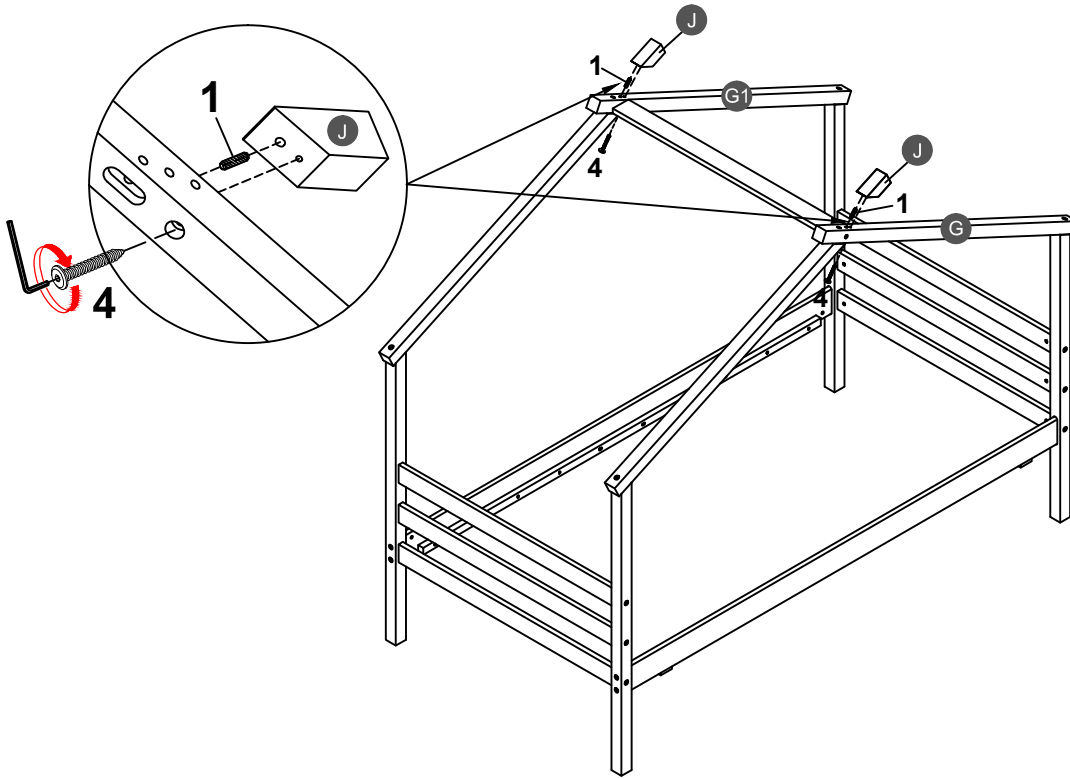
<b>2</b>		<b>5</b>	
<b>8PCS</b>		<b>8PCS</b>	

**STEP 4:**



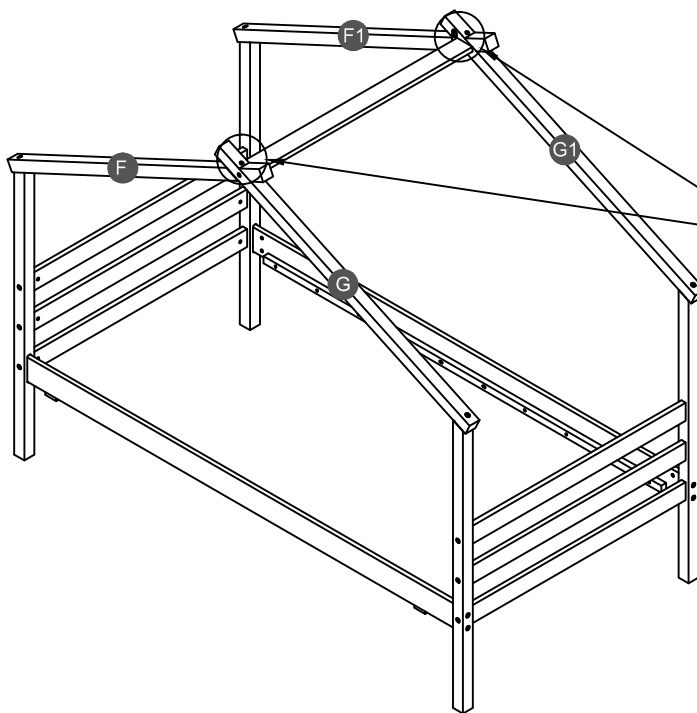
<b>1</b>		<b>3</b>		<b>4</b>	
<b>4PCS</b>		<b>2PCS</b>		<b>6PCS</b>	
					<b>5</b>
					
					<b>2PCS</b>

**STEP 5:**



1	
2PCS	
4	
2PCS	

**STEP 6:**



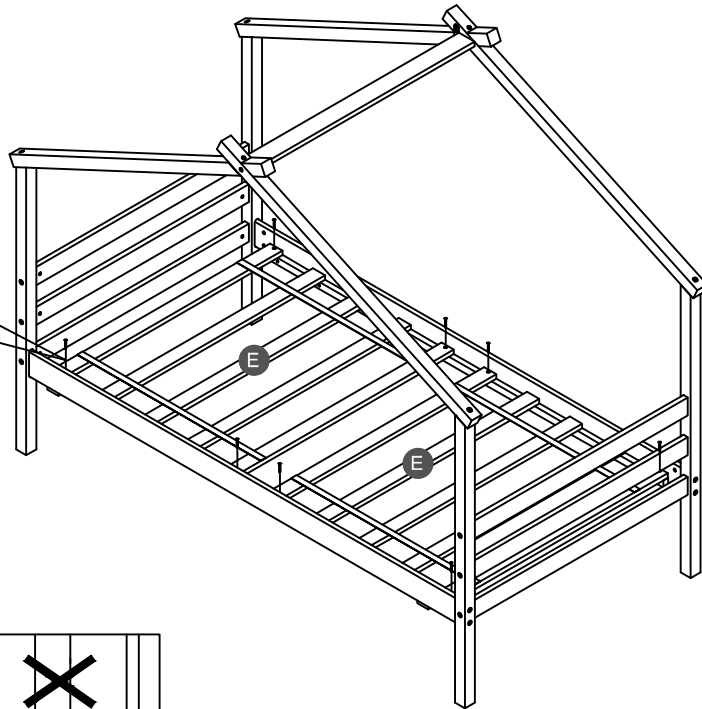
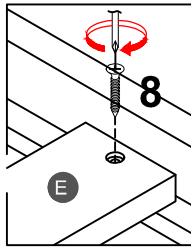
9		10	
8PCS		2PCS	

## STEP 7:

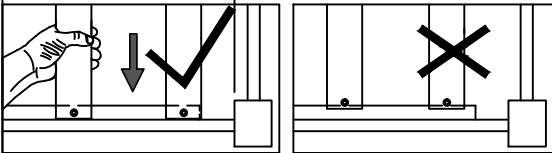
8



8PCS



5.4"  
138mm      2.3"  
58.5mm



Note: Do not lock the screws of the bed slats to the outermost edge of the bed slats, you need to leave a certain space at the edges, otherwise it will cause the board to break. Do not lock the bed slats on the edge of the wood, please hold firmly before screwing, hold it in place with one hand, then lock the screw.

## STEP 8:

8

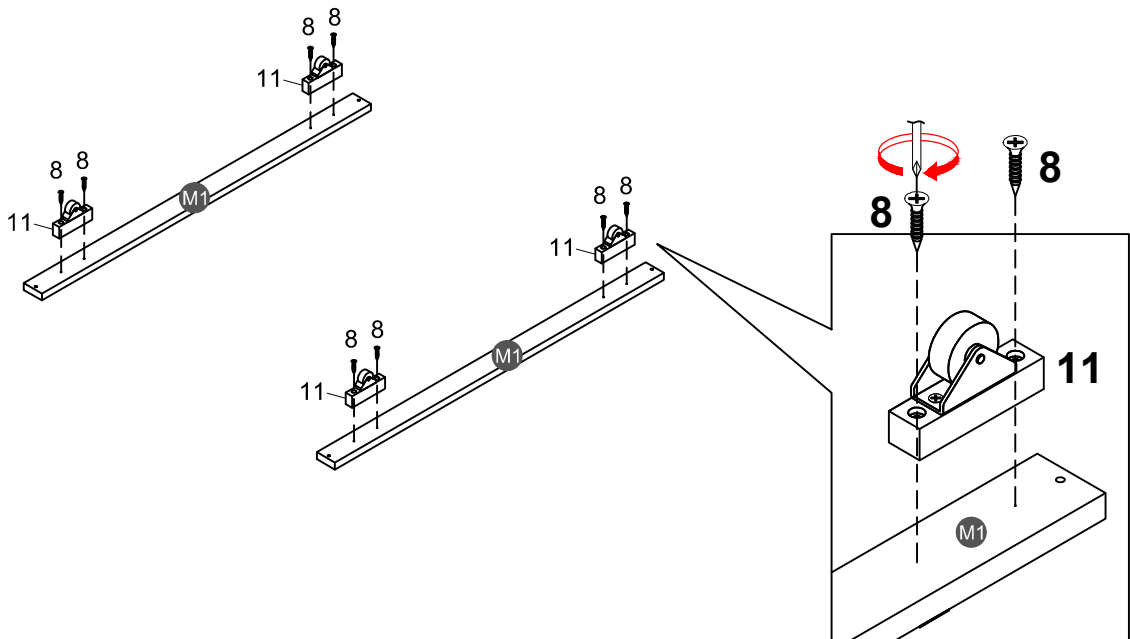


8PCS

11

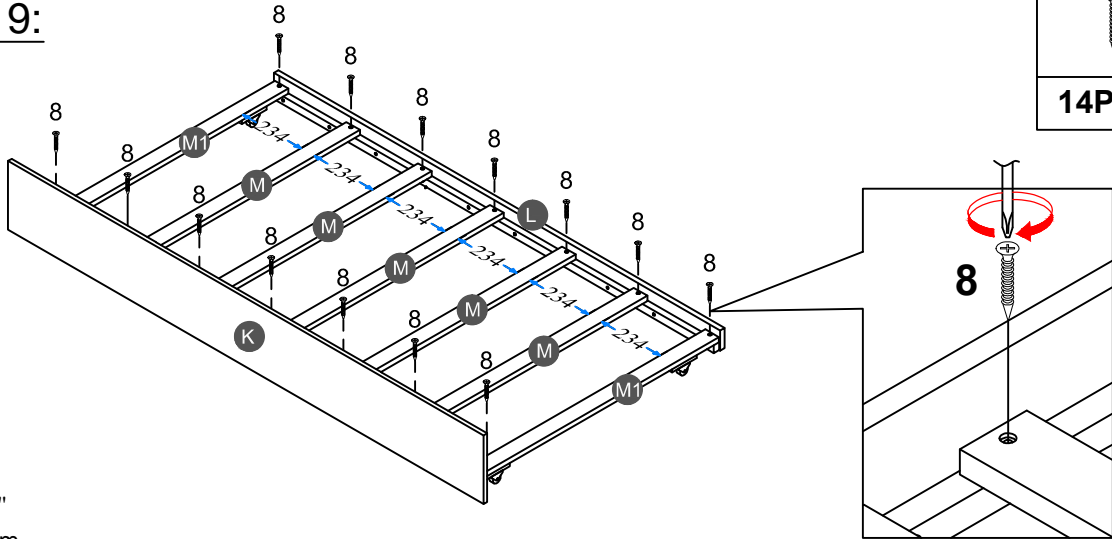



4PCS

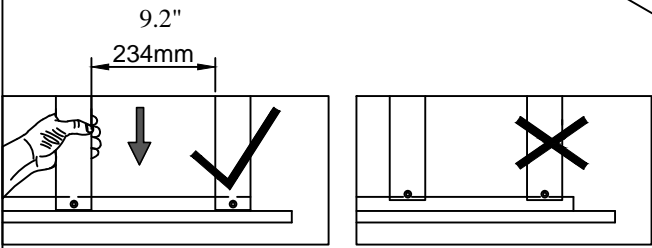




**STEP 9:**

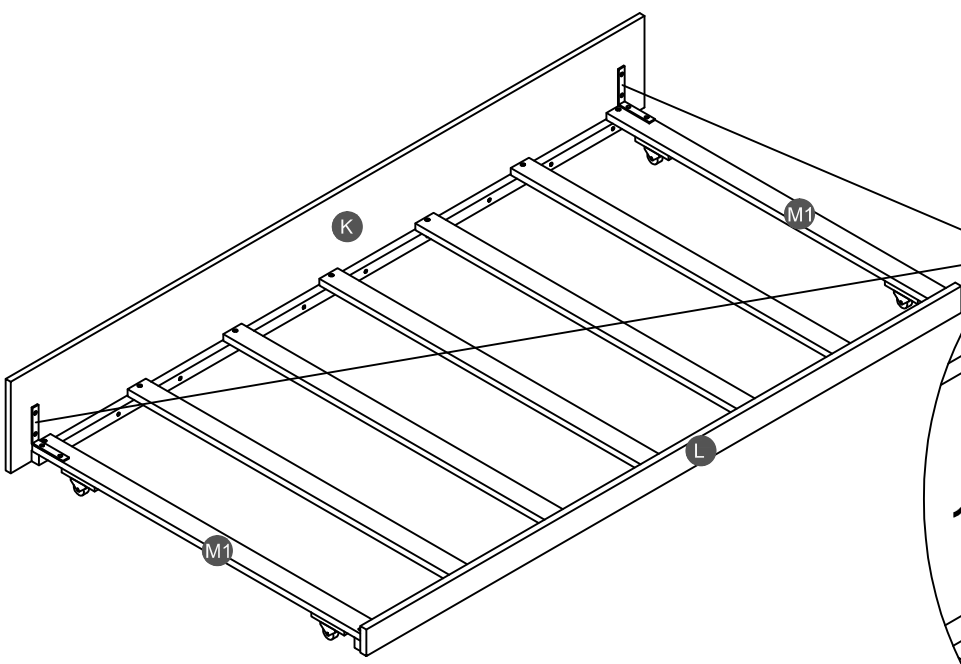


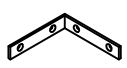

<b>8</b>	
<b>14PCS</b>	

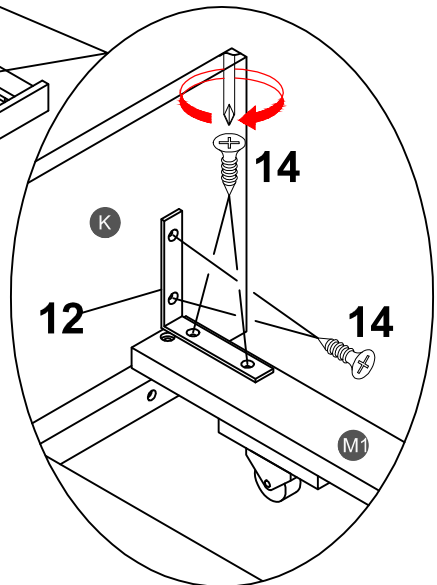


Note: Do not lock the screws of the bed slats to the outermost edge of the bed slats, you need to leave a certain space at the edges, otherwise it will cause the board to break.  
Do not lock the bed slats on the edge of the wood, please hold firmly before screwing , hold it in place with one hand, then lock the screw.

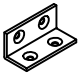
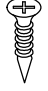
**STEP 10:**

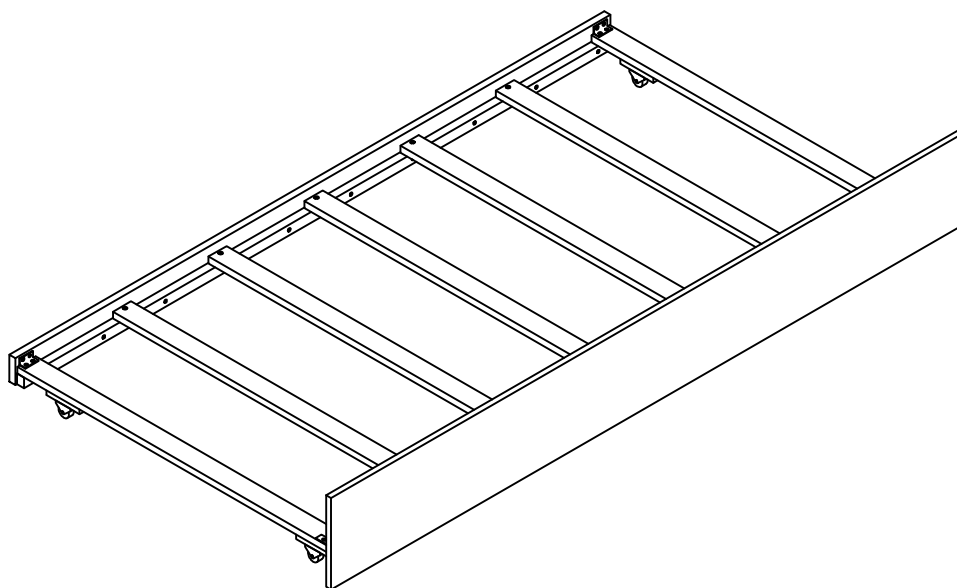
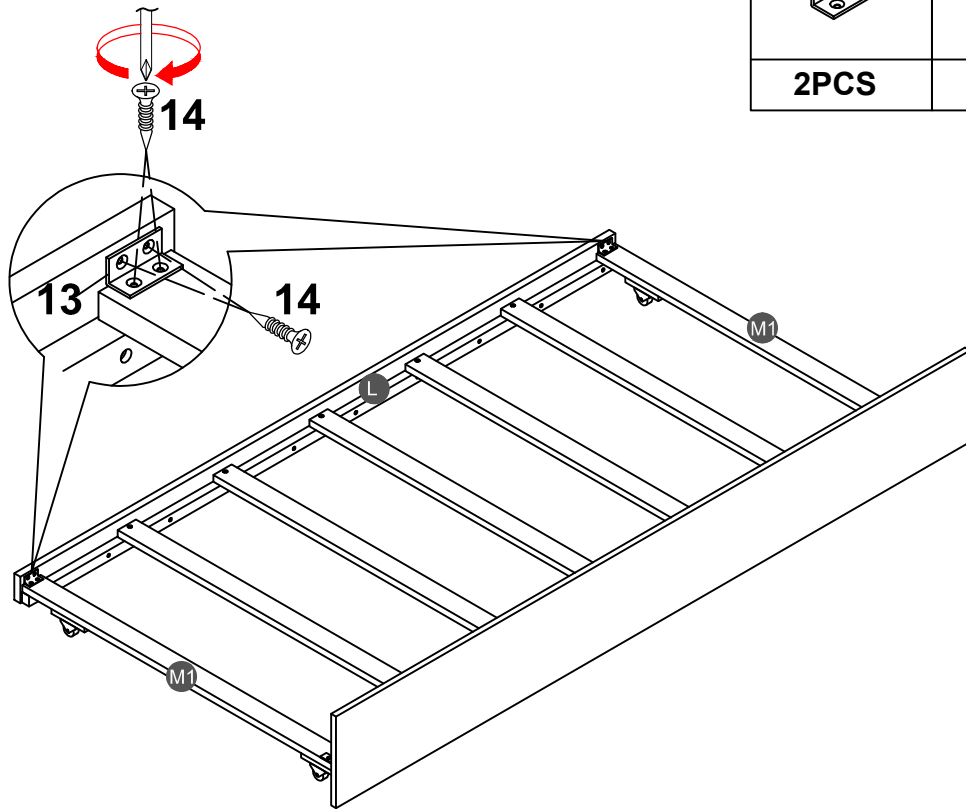


<b>12</b>	<b>14</b>
	
<b>2PCS</b>	<b>8PCS</b>

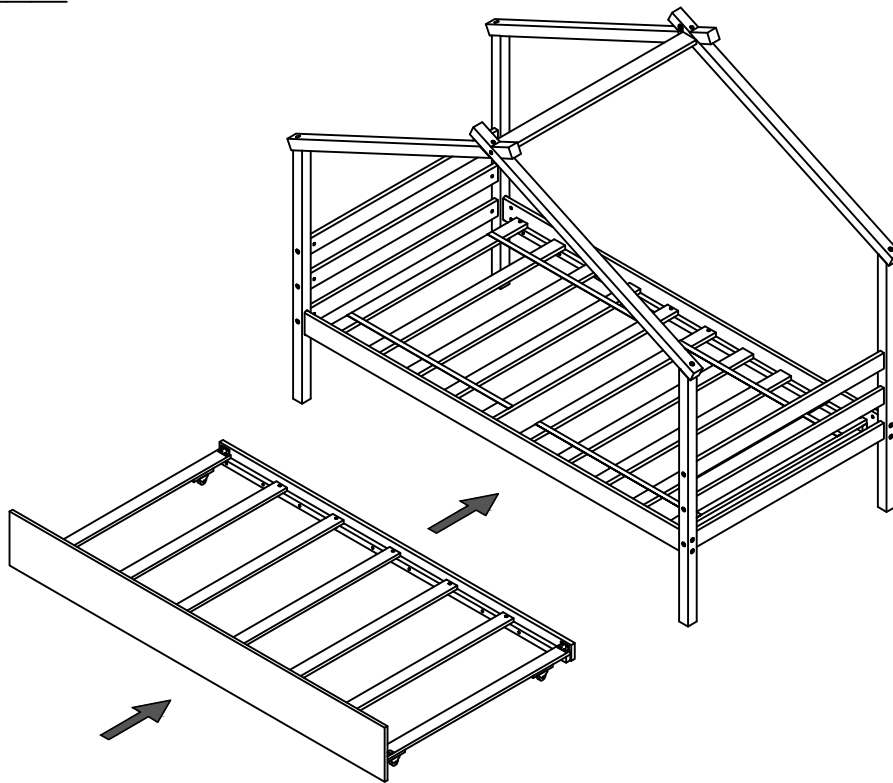


**STEP 11:**

<b>13</b> 	<b>14</b> 
<b>2PCS</b>	<b>8PCS</b>



STEP 12:



Push Trundle and Drawer under the bottom of Bunkbed.

