








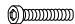
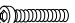
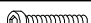


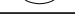
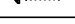
Assembly Instruction

COUNTER CHAIR

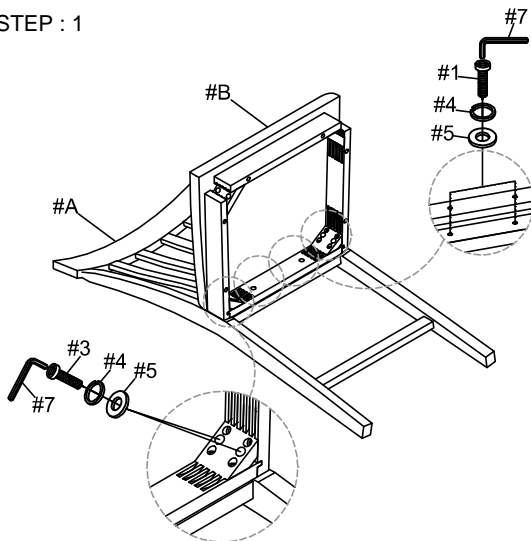
SH2343PC

Thank you for purchasing this quality product. Be sure to check all packing materials carefully for small parts, which may have come loose inside the carton during shipment. Identify and count all items and compare with the parts list and/or hardware list shown below.

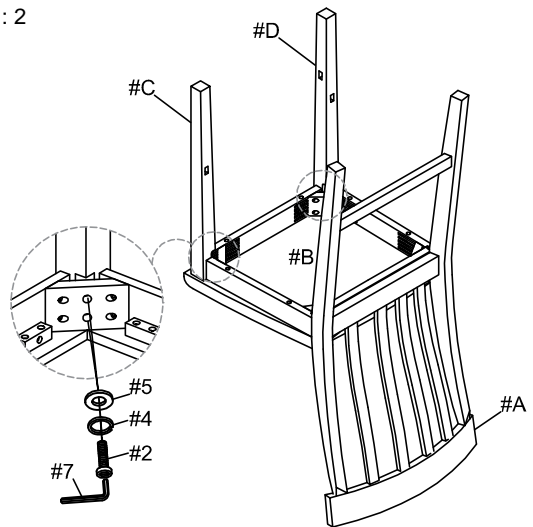
PARTS LIST			
No.	DESCRIPTION	SKETCH	Q'TY
A	BACK FRAME		2
B	SEAT FRAME WITH CUSHION		2
C	FRONT LEFT LEG		2
D	FRONT RIGHT LEG		2
E	FRONT STRETCHER		2
F	LEFT STRETCHER		2
G	RIGHT STRETCHER		2

HARDWARE LIST			
No.	DESCRIPTION	SKETCH	Q'TY
1	ALLEN BOLT (5/16" x 1-1/2")		4
2	ALLEN BOLT (5/16" x 2-1/4")		8
3	ALLEN BOLT (5/16" x 3-1/4")		8
4	SPRING WASHER (5/16")		20
5	FLAT WASHER (5/16")		20
6	SCREW #M4*38mm		12
7	ALLEN KEY M5		2

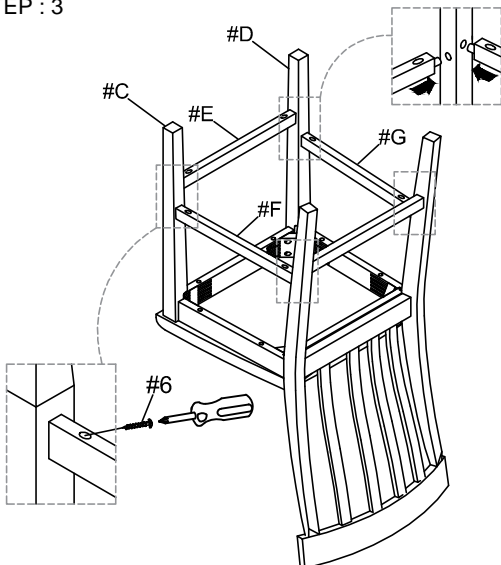
STEP : 1



STEP : 2



STEP : 3



STEP : 4

