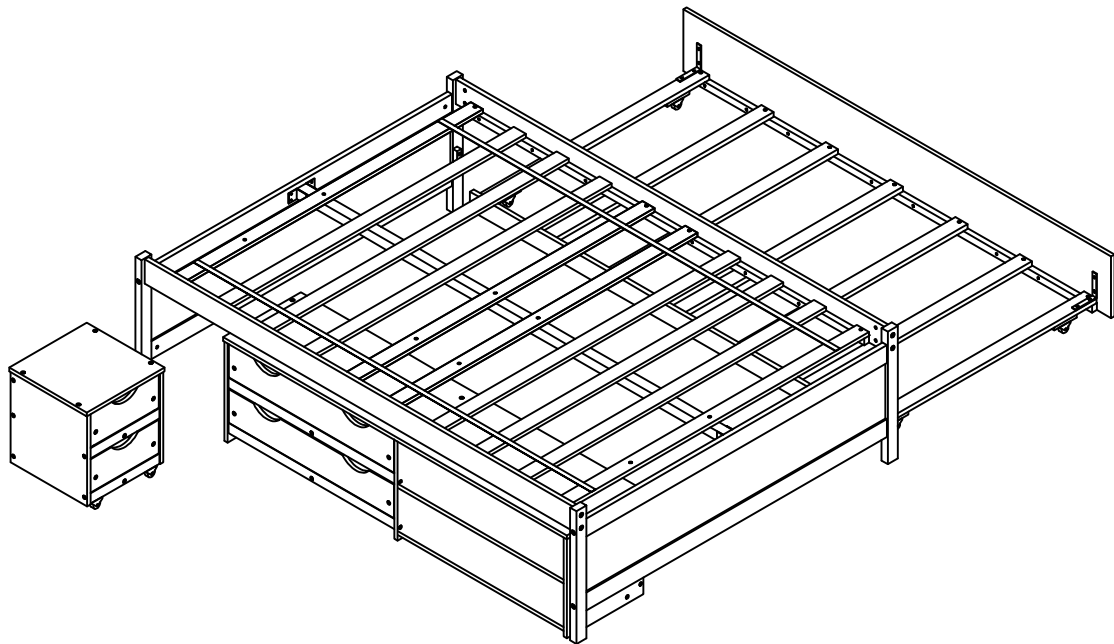


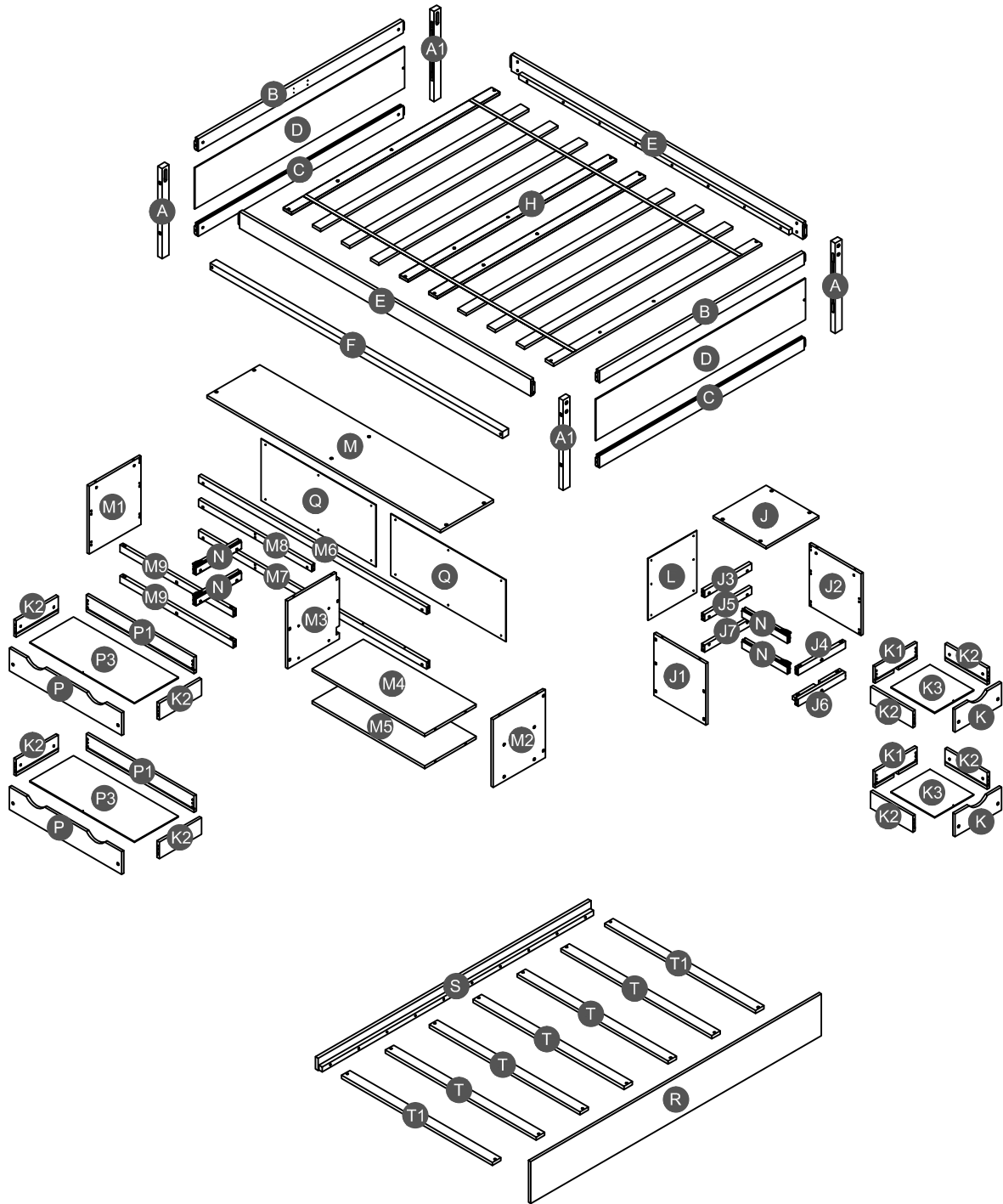
ASSEMBLY INSTRUCTIONS

FULL BED WITH NIGHT STAND, DRAWERS, SHELF AND TRUNDLE





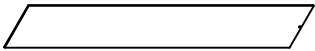
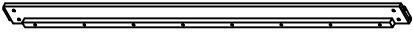
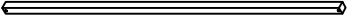

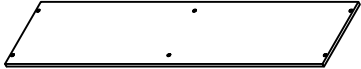

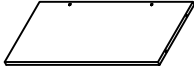
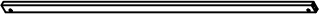
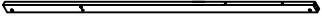
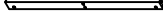

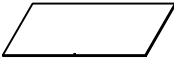
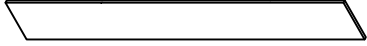

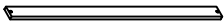

SA33828

Detail View



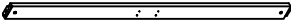

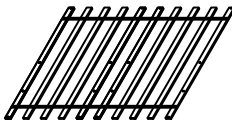
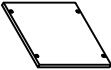

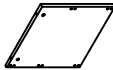
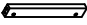

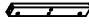




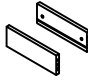
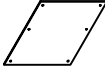
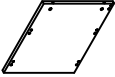
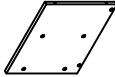


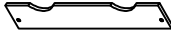

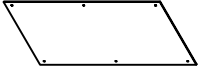
Part List

SA33828 (1-2)

<p>A</p>  <p>Leg (Left front/Right back) - 2pcs</p>	<p>A1</p>  <p>Leg (Left back/Right front) - 2pcs</p>	<p>D</p>  <p>Side panel - 2pcs</p>
<p>E</p>  <p>Side rail - 2pcs</p>	<p>F</p>  <p>Lower support slat - 1pc</p>	<p>K3</p>  <p>Drawer bottom - 2pcs</p>
<p>M</p>  <p>Top panel - 1pc</p>	<p>M4</p>  <p>Shelf panel - 1pc</p>	<p>M5</p>  <p>Bottom panel - 1pc</p>
<p>M6</p>  <p>Upper horizontal bar (Back) - 1pc</p>	<p>M7</p>  <p>Lower horizontal bar (Back) - 1pc</p>	<p>M8</p>  <p>Divider horizontal bar (Back) - 1pc</p>
<p>M9</p>  <p>Horizontal bar (Front) - 2pcs</p>	<p>P3</p>  <p>Drawer bottom - 2pcs</p>	<p>R</p>  <p>Front panel of Trundle - 1pc</p>
<p>S</p>  <p>Back panel side rail of Trundle -1pc</p>	<p>T</p>  <p>Slats - 5pcs</p>	<p>T1</p>  <p>Slats - 2pcs</p>

Part List

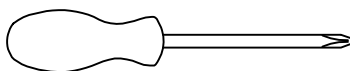
SA33828 (2-2) + Hardware inside

<p>B</p>  <p>Upper horizontal bar HB/FB - 2pcs</p>	<p>C</p>  <p>Lower horizontal bar HB/FB - 2pcs</p>	<p>H</p>  <p>Slat - 1Set =10pcs</p>
<p>J</p>  <p>Top panel - 1pc</p>	<p>J1</p>  <p>Side panel (Left) - 1pc</p>	<p>J2</p>  <p>Side panel (Right) - 1pc</p>
<p>J3</p>  <p>Upper horizontal bar (Back) - 1pc</p>	<p>J4</p>  <p>Upper horizontal bar (Front) - 1pc</p>	<p>J5</p>  <p>Divider horizontal bar (Back) - 1pc</p>
<p>J6</p>  <p>Lower horizontal bar (Front) - 1pc</p>	<p>J7</p>  <p>Lower horizontal bar (Back) - 1pc</p>	<p>K</p>  <p>Front drawer panel - 2pcs</p>
<p>K1</p>  <p>Back drawer panel - 2pcs</p>	<p>K2</p>  <p>Left / right drawer panel - 8pcs</p>	<p>L</p>  <p>Back panel - 1pc</p>
<p>M1</p>  <p>Side panel (Left) - 1pc</p>	<p>M2</p>  <p>Side panel (Right) - 1pc</p>	<p>M3</p>  <p>Divider panel - 1pc</p>
<p>N</p>  <p>Support drawer - 4pcs</p>	<p>P</p>  <p>Front drawer panel - 2pcs</p>	<p>P1</p>  <p>Back drawer panel - 2pcs</p>
<p>Q</p>  <p>Back panel - 1pc</p>		

Hardware List SA33828 (2-2)

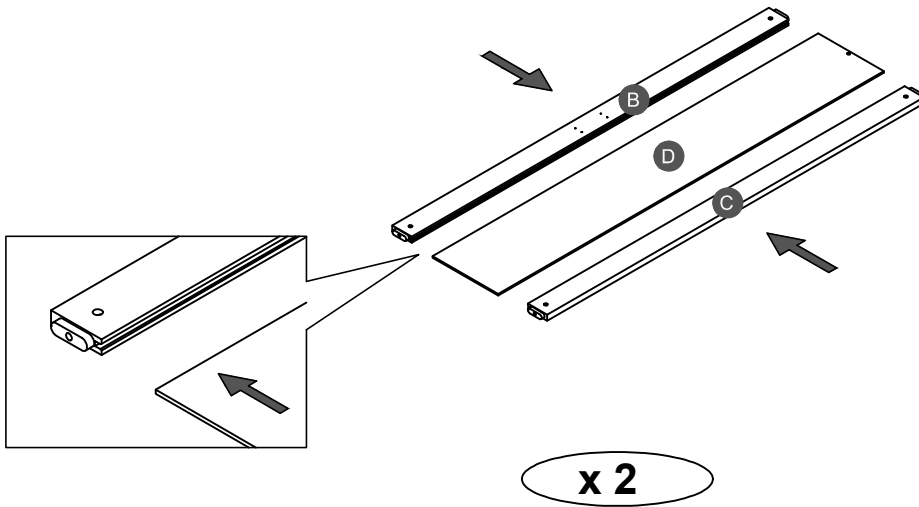
<p>1</p>  <p style="text-align: center;">Ø8*30mm</p> <p style="text-align: center;">Wood dowel (42pcs)</p>	<p>2</p>  <p style="text-align: center;">(Ø15)1/4"*80mm</p> <p style="text-align: center;">Hex-Head bolts (16pcs)</p>	<p>3</p>  <p style="text-align: center;">(Ø15)1/4"*60mm</p> <p style="text-align: center;">Hex-Head bolts (62pcs)</p>
<p>4</p>  <p style="text-align: center;">(Ø12)1/4"*40mm</p> <p style="text-align: center;">Hex-Head bolts (2pcs)</p>	<p>5</p>  <p style="text-align: center;">1/4"*15 (9.5mm)</p> <p style="text-align: center;">Horizontal-Hole bolts(78pcs)</p>	<p>6</p>  <p style="text-align: center;">(1/4")4.5*58mm</p> <p style="text-align: center;">Allen key (2pcs)</p>
<p>7</p>  <p style="text-align: center;">(Ø12)1/4"*40mm</p> <p style="text-align: center;">Hex-Head bolts (2pcs)</p>	<p>8</p>  <p style="text-align: center;">Ø4*30mm</p> <p style="text-align: center;">Wood screws (38pcs)</p>	<p>9</p>  <p style="text-align: center;">Ø3.5*15mm</p> <p style="text-align: center;">Wood screws (18pcs)</p>
<p>10</p>  <p style="text-align: center;">Ø3.5*15mm</p> <p style="text-align: center;">Wood screws (36pcs)</p>	<p>11</p>  <p style="text-align: center;">116*40*27mm</p> <p style="text-align: center;">Metal bracket (2pcs)</p>	<p>12</p>  <p style="text-align: center;">95*95*18*3mm</p> <p style="text-align: center;">Metal bracket (2pcs)</p>
<p>13</p>  <p style="text-align: center;">40*18*18*2mm</p> <p style="text-align: center;">Metal bracket (2pcs)</p>	<p>14</p>  <p style="text-align: center;">100*63*20mm</p> <p style="text-align: center;">Wheels (4pcs)</p>	<p>15</p>  <p style="text-align: center;">295*30mm</p> <p style="text-align: center;">Upper slider drawer (4pcs)</p>
<p>16</p>  <p style="text-align: center;">(Ø13)1/4"*14mm</p> <p style="text-align: center;">Connect bolt (2pcs)</p>	<p>17</p>  <p style="text-align: center;">Wheels (4pcs)</p>	<p>18</p>  <p style="text-align: center;">100*19*19 mm</p> <p style="text-align: center;">Trundle stopper (2pcs)</p>
<p>19</p>  <p style="text-align: center;">Ø3.5*19mm</p> <p style="text-align: center;">Wood screws (8pcs)</p>		

ASSEMBLY TOOLS REQUIRED (NOT INCLUDED)

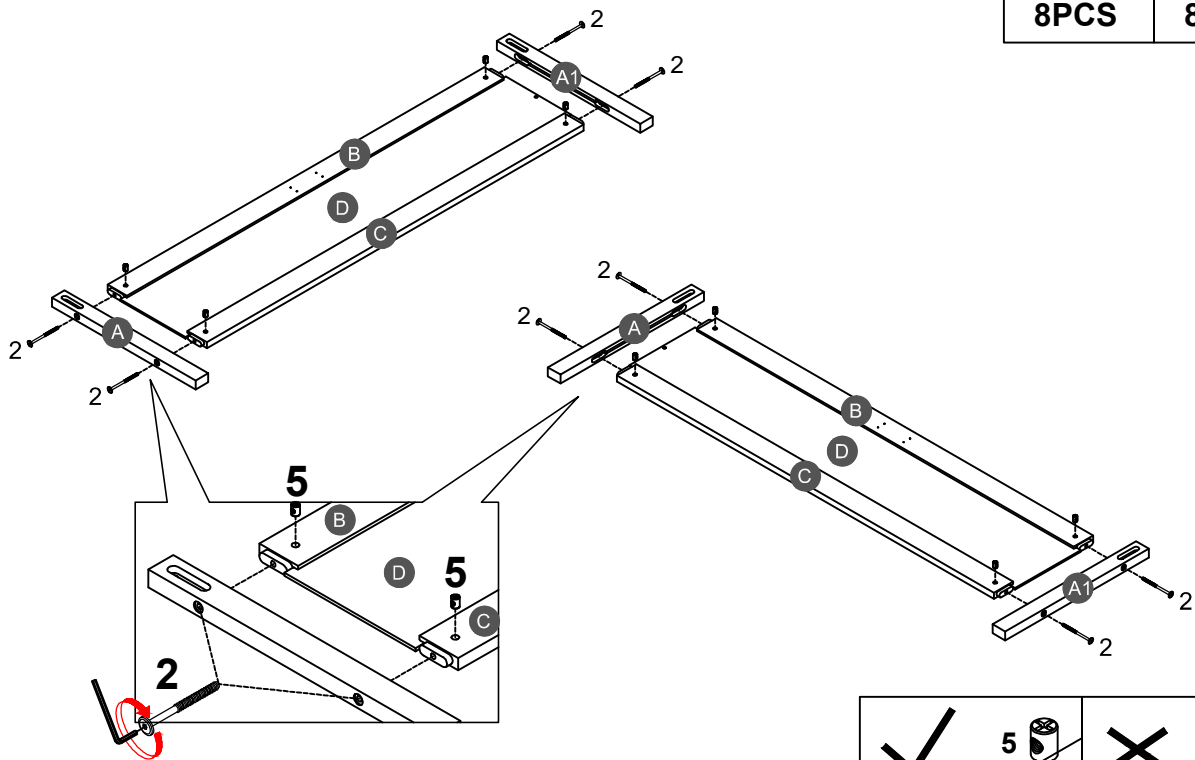


PLEASE BE CAREFUL DO NOT DAMAGE THE HOLE POSITION WHEN YOU USE POWER TOOLS !

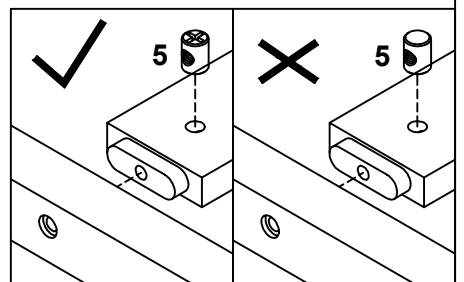
STEP 1:



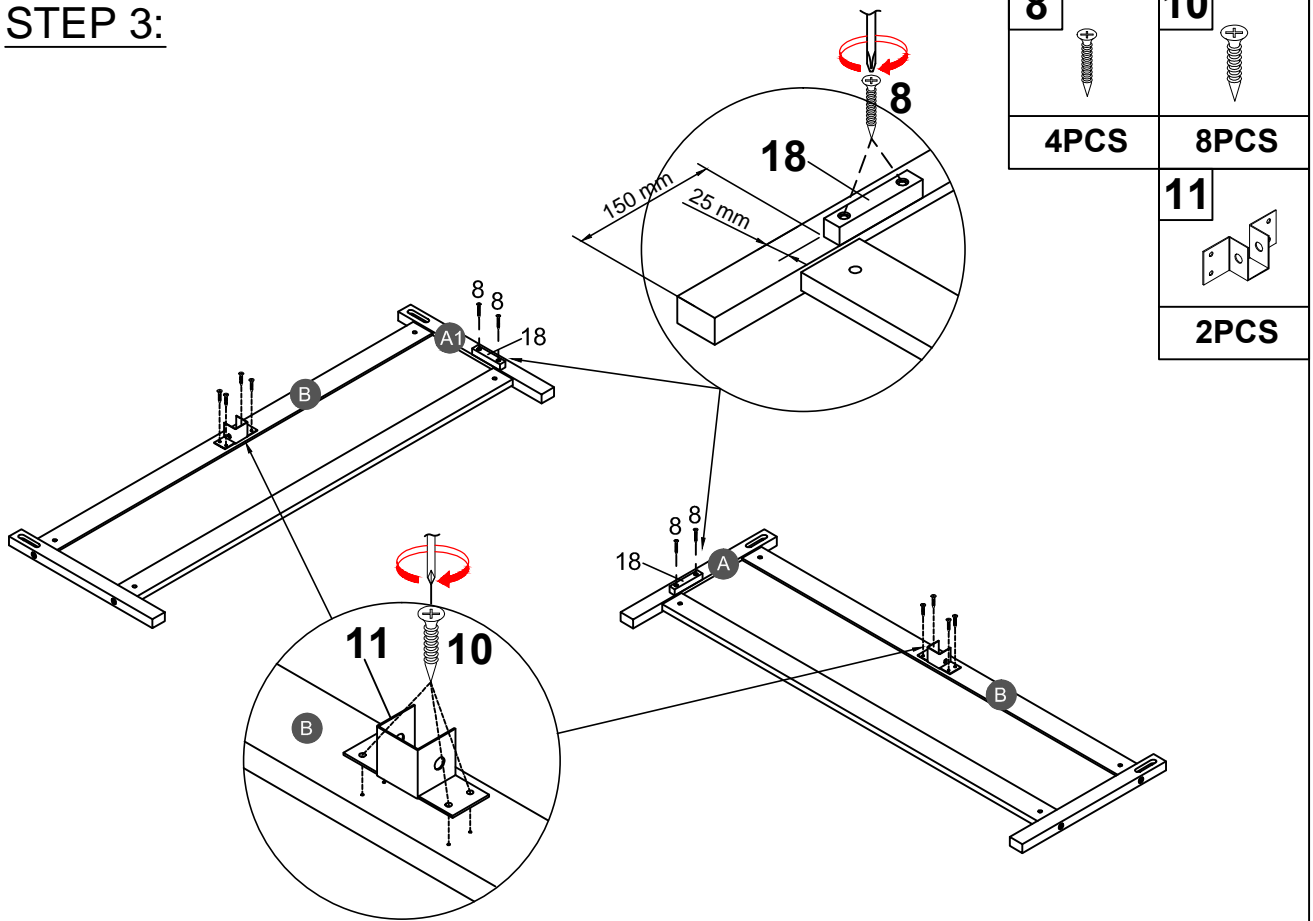
STEP 2:



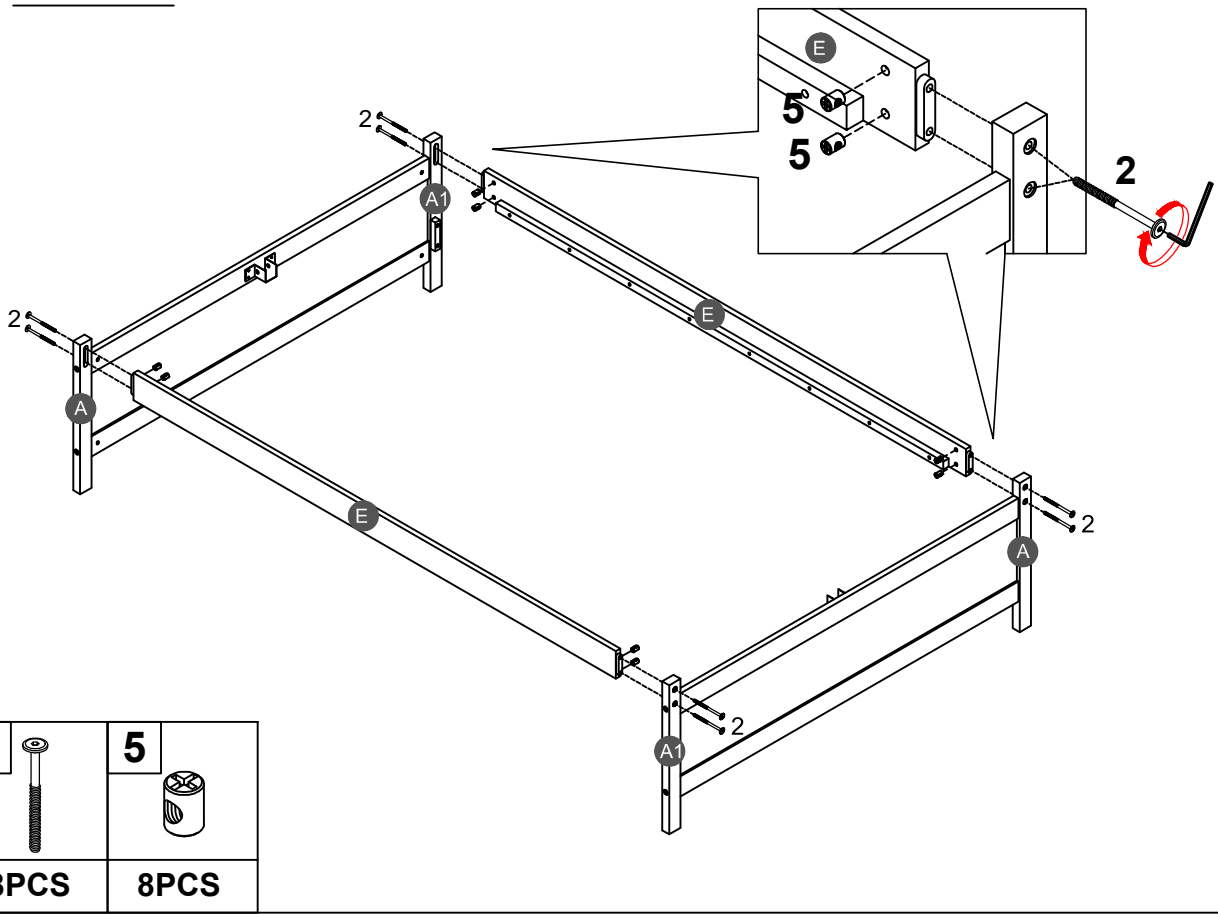
Note: Part 5 will face up with the "x" mark on it, otherwise it cannot be tightened



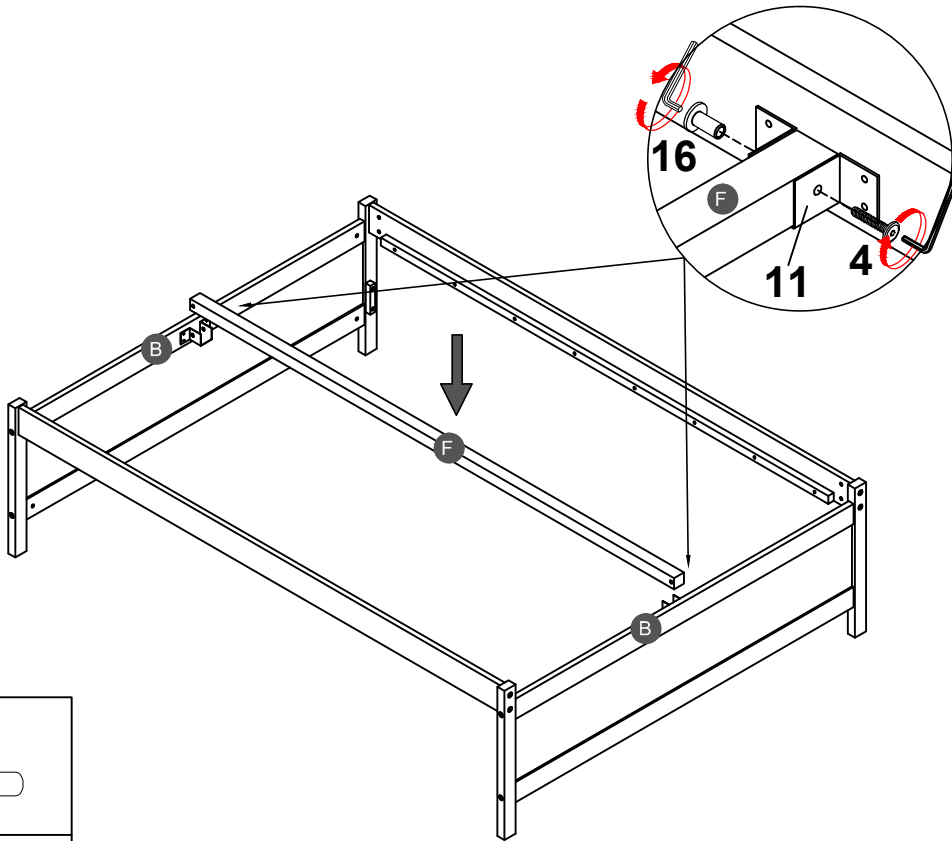
STEP 3:


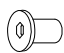


STEP 4:

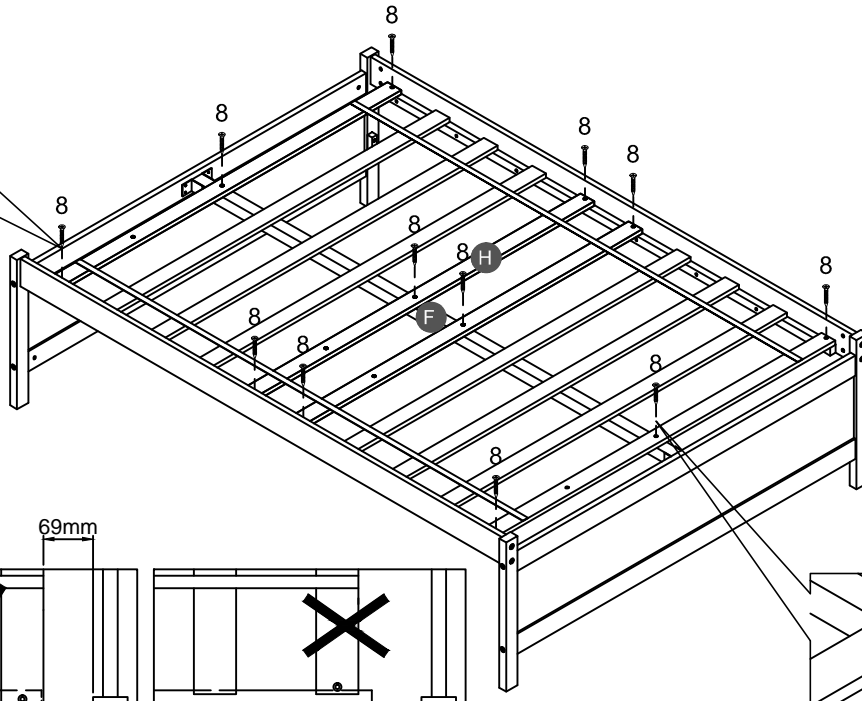
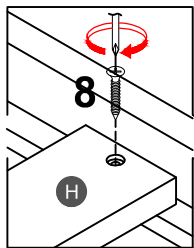



STEP 5:

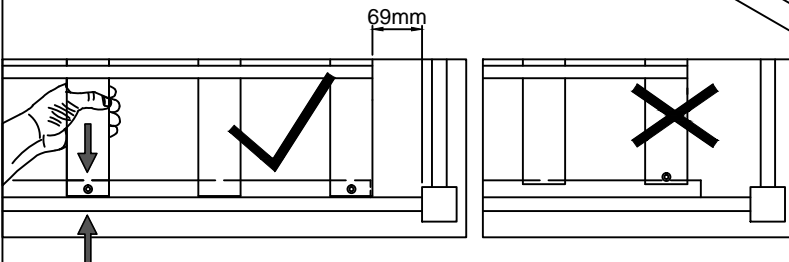
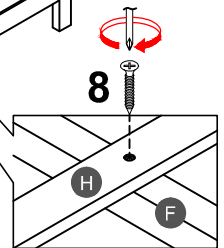


4		16	
2PCS		2PCS	

STEP 6:





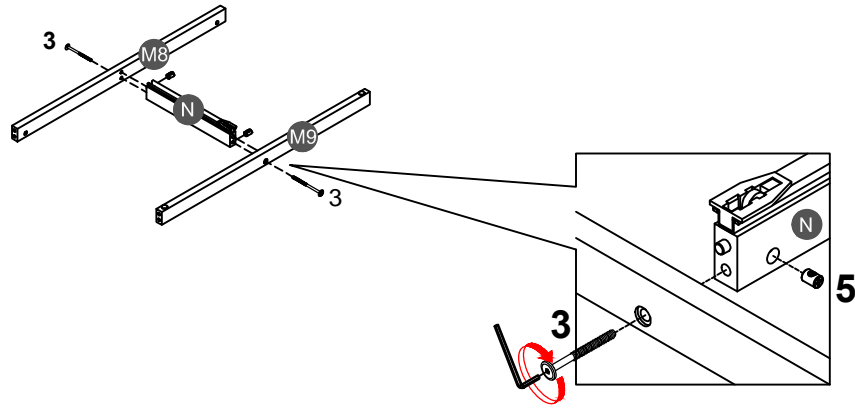
8	
12PCS	





NOTE: Please make sure the bed slats close to the side rail before locking the screws to avoid breakage. This step is required for both the left and right sides. Moreover, please do not lock the screws of the bed slats at the outermost edge to avoid damaging

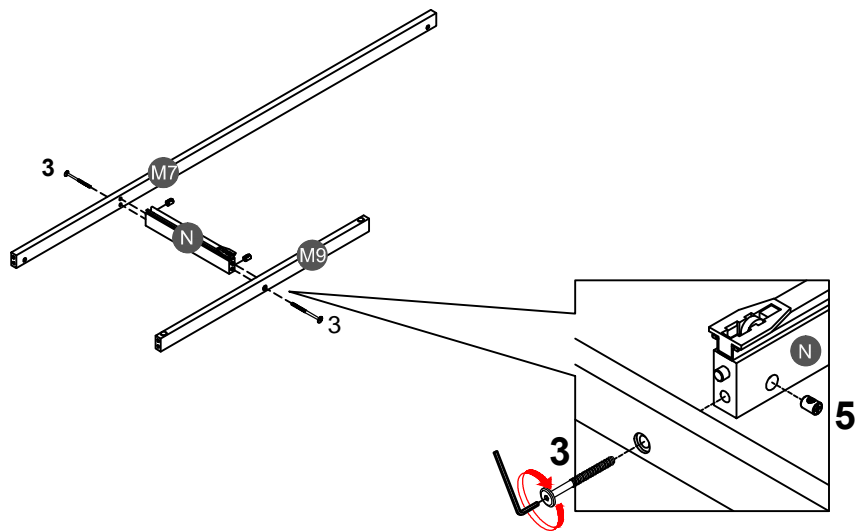
STEP 7:

3		5	
2PCS		2PCS	

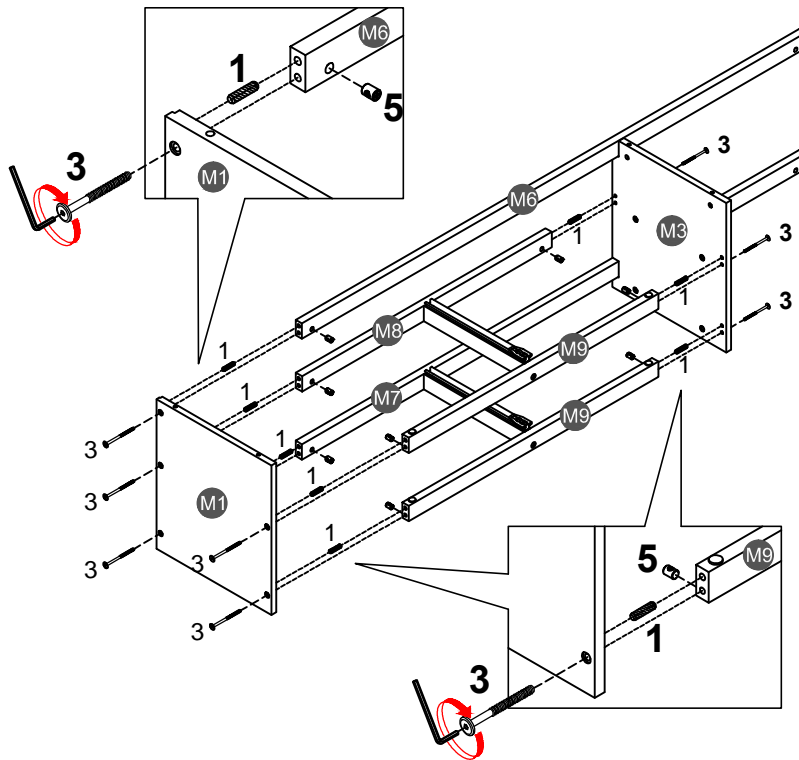





STEP 8:

3		5	
2PCS		2PCS	

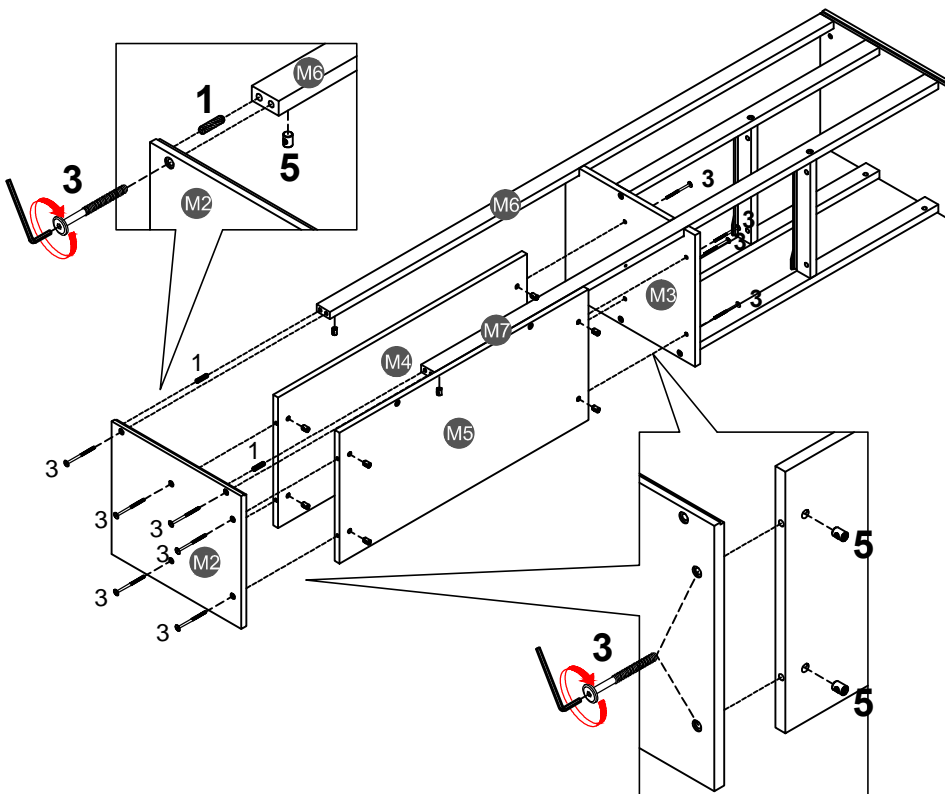





STEP 9:




1		3	
8PCS		8PCS	
		5	
8PCS			

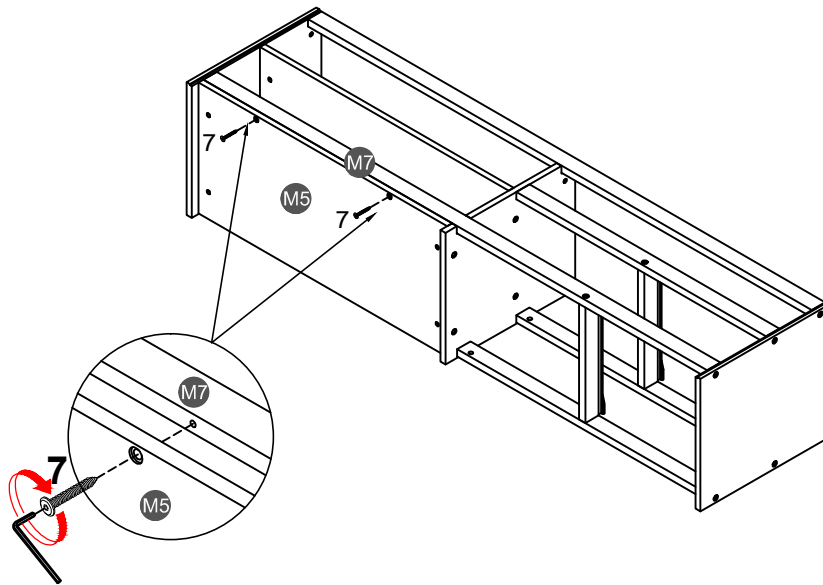
STEP 10:





1		3	
2PCS		10PCS	
		5	
10PCS			

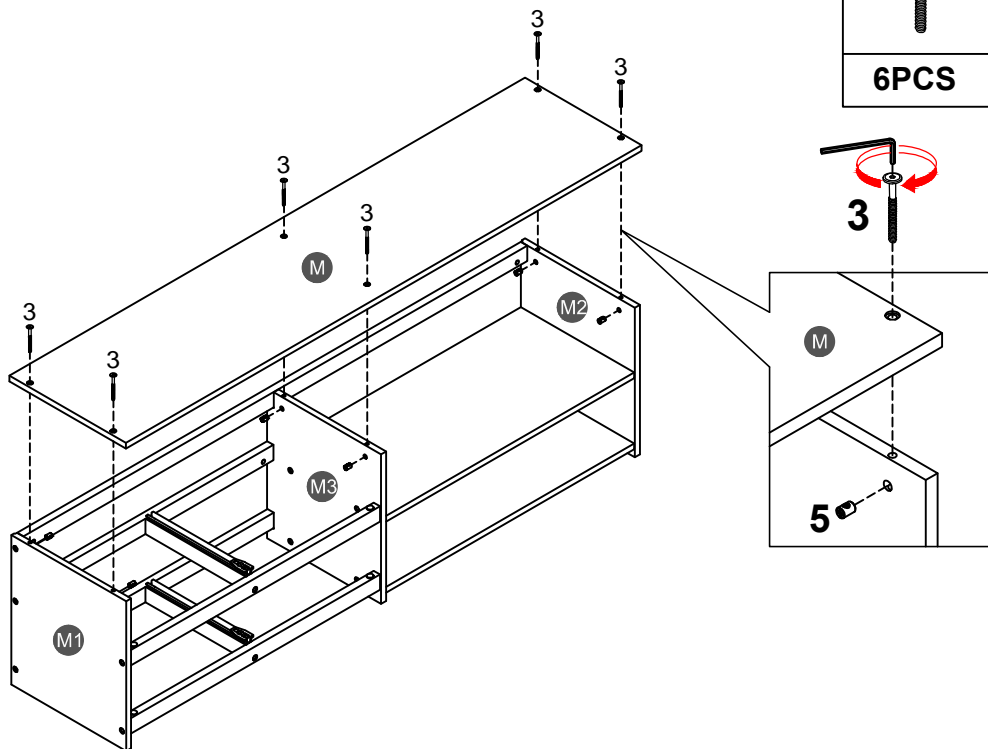
STEP 11:

7	
2PCS	

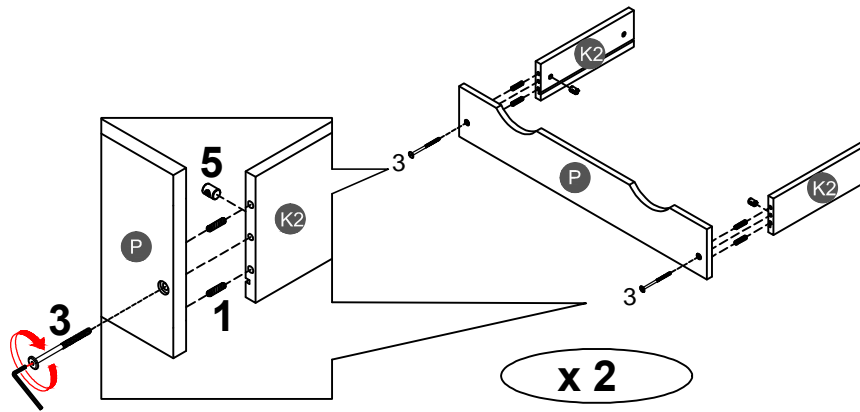





STEP 12:

3		5	
6PCS		6PCS	

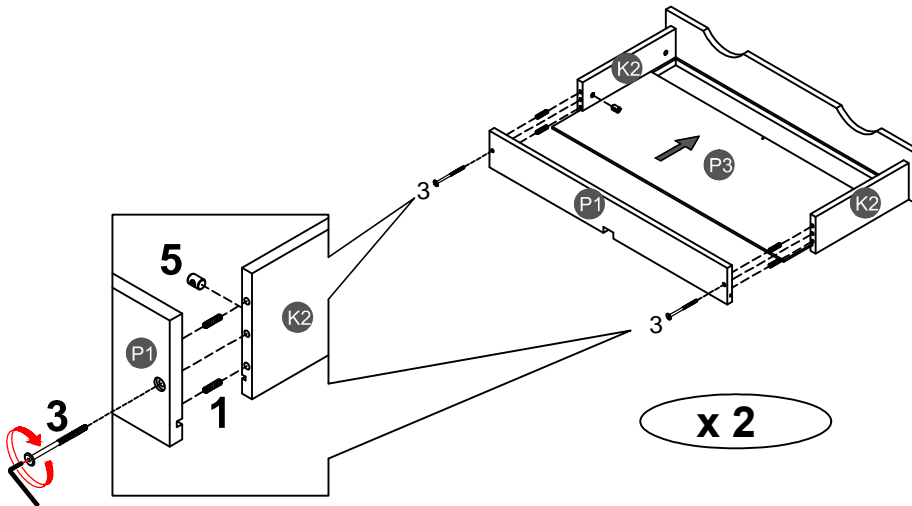





STEP 13:



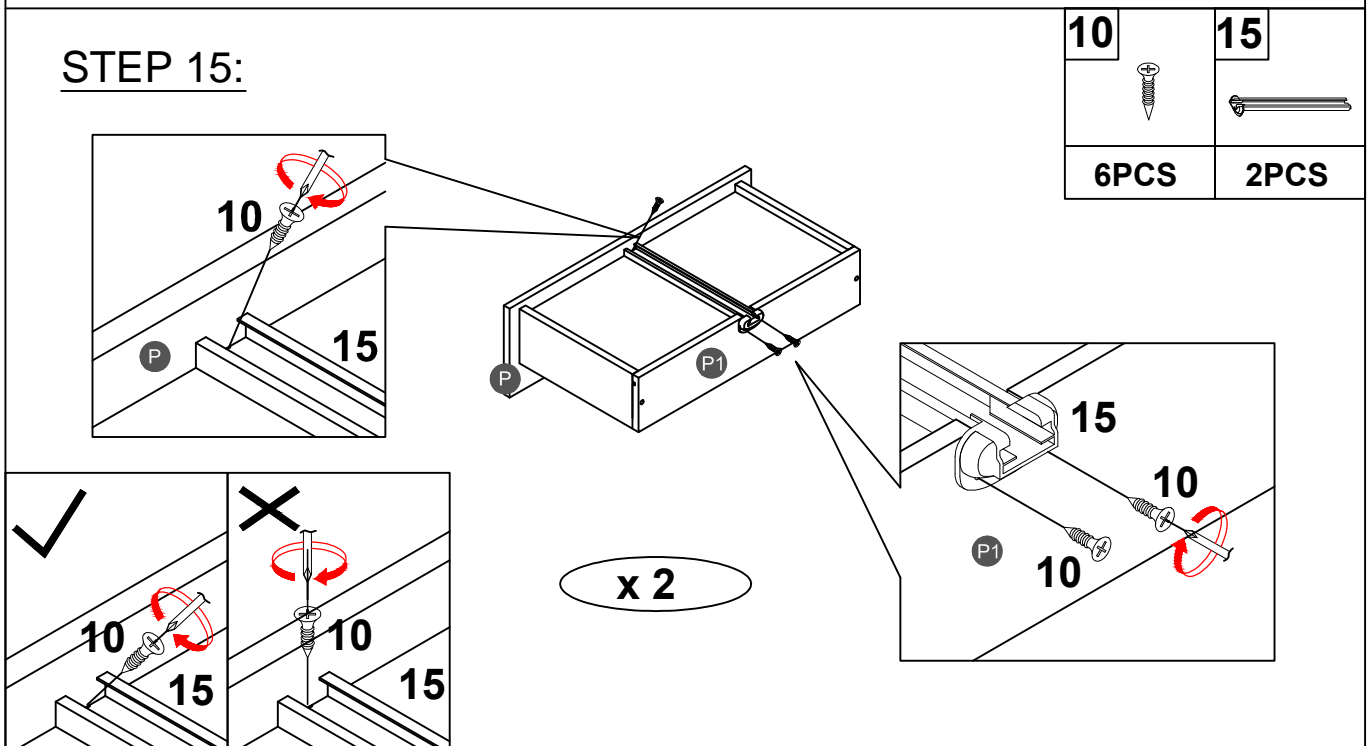
1		3	
8PCS		4PCS	
		5	
		4PCS	



STEP 14:



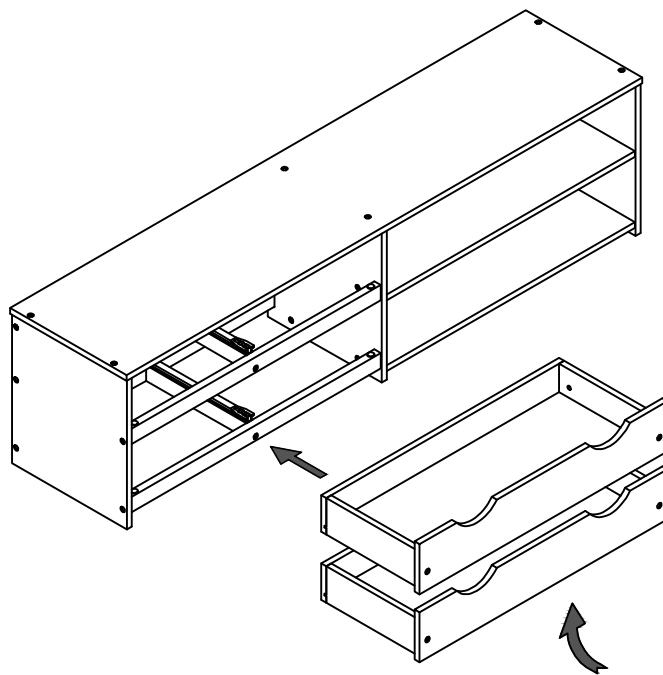
1		3	
8PCS		4PCS	
		5	
		4PCS	

STEP 15:



10		15	
6PCS		2PCS	

STEP 16:

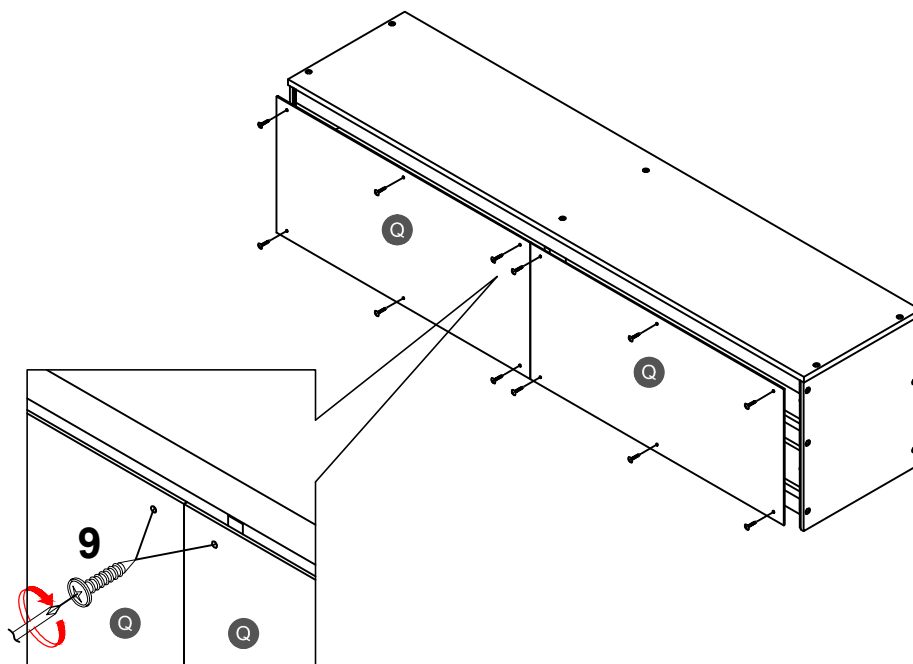


STEP 17:

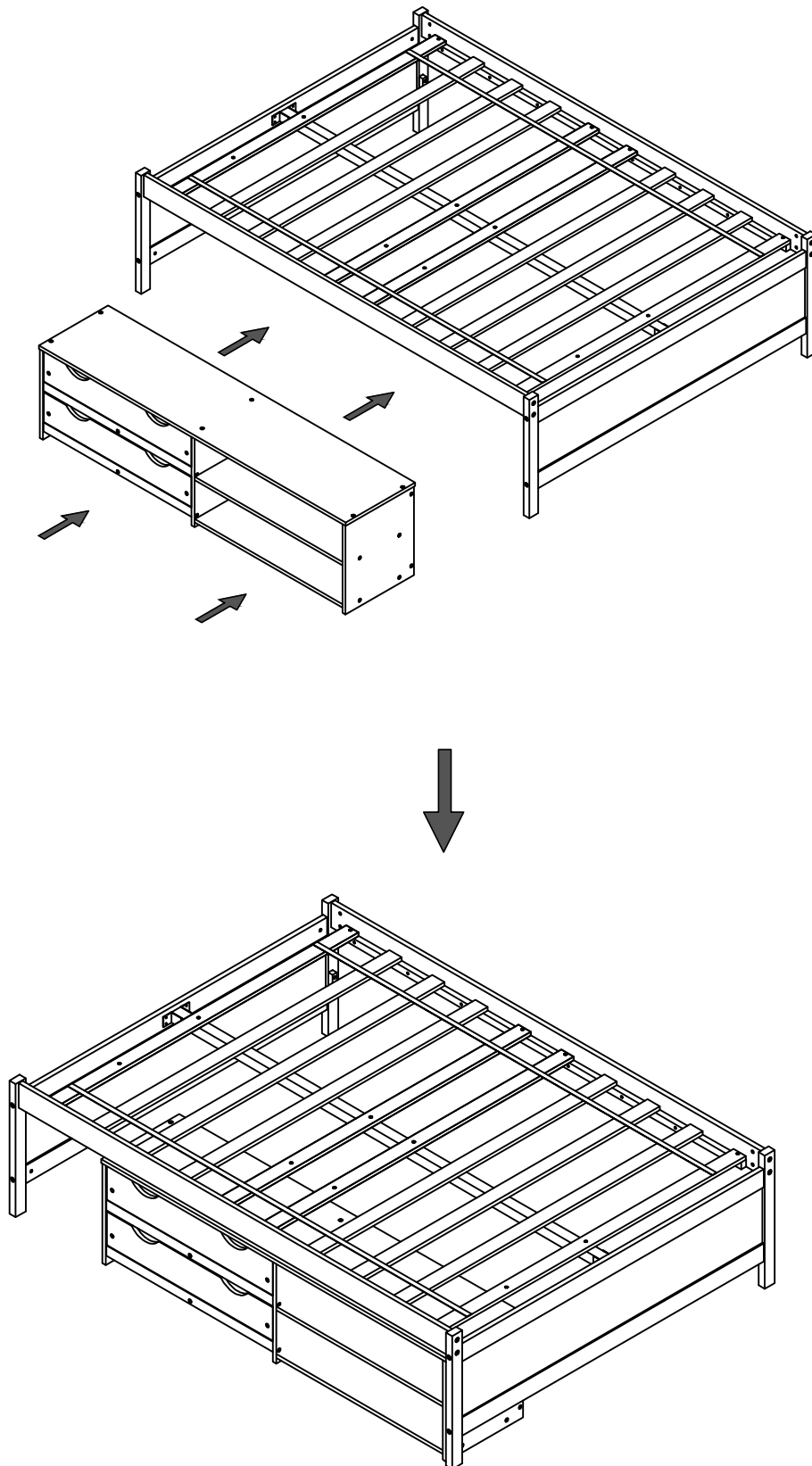
9



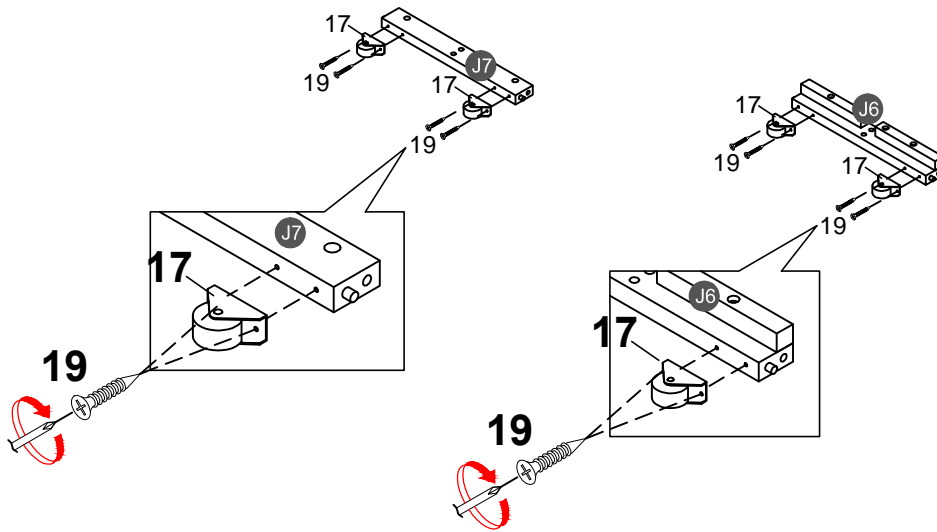
12PCS





STEP 18:

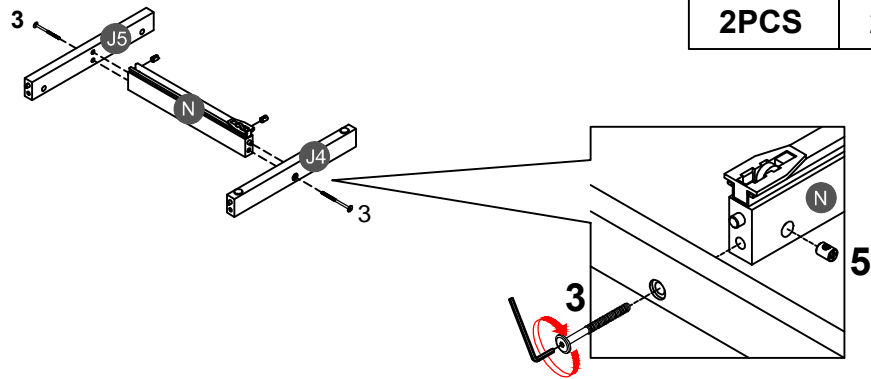




STEP 19:



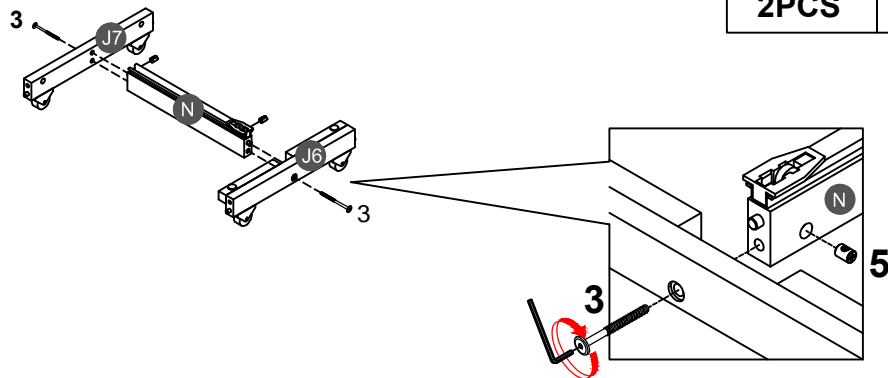
17 	19 
4PCS	8PCS



STEP 20:



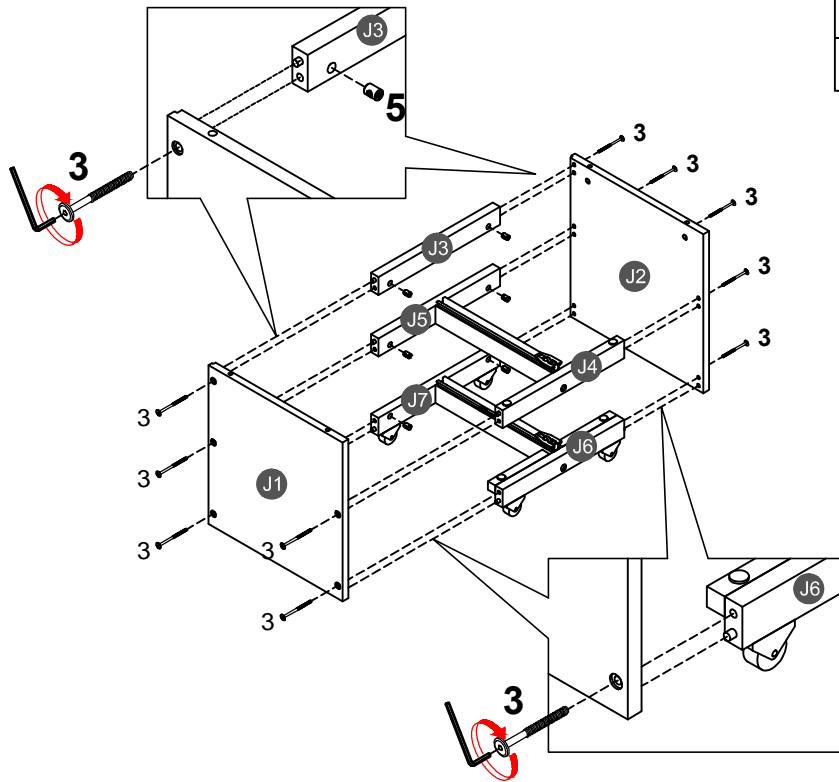
3 	5 
2PCS	2PCS



STEP 21:



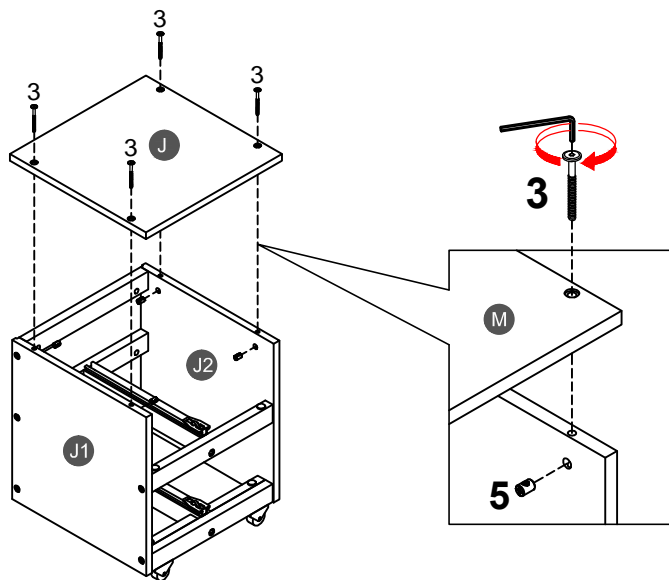
3 	5 
2PCS	2PCS



STEP 22:



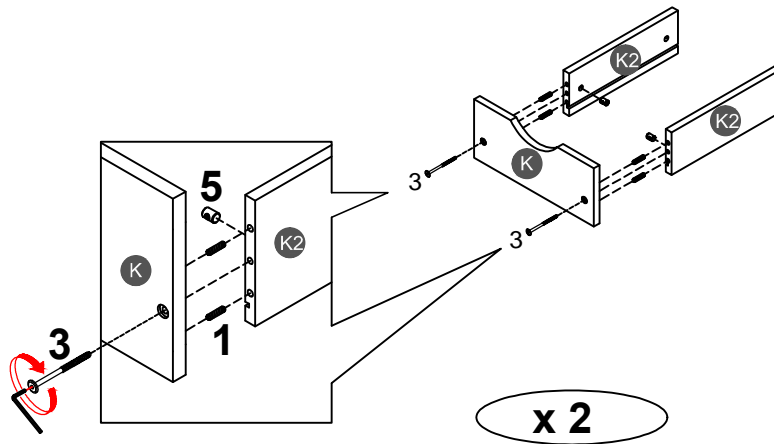
3		5	
10PCS		10PCS	

STEP 23:



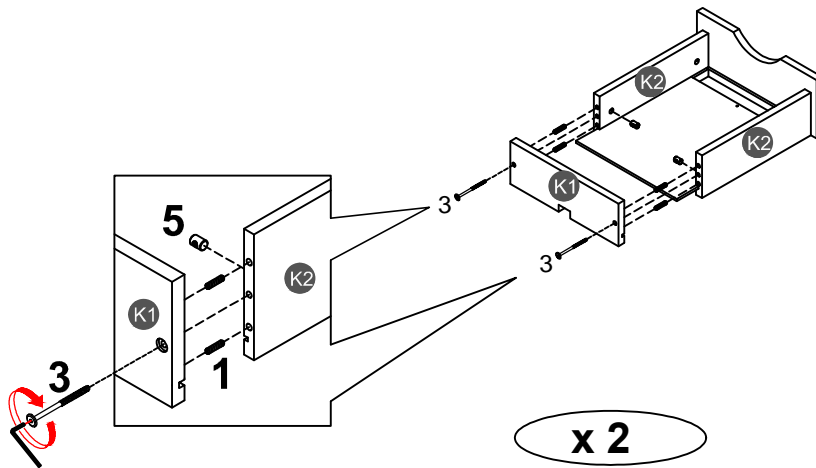
3		5	
4PCS		4PCS	

STEP 24:



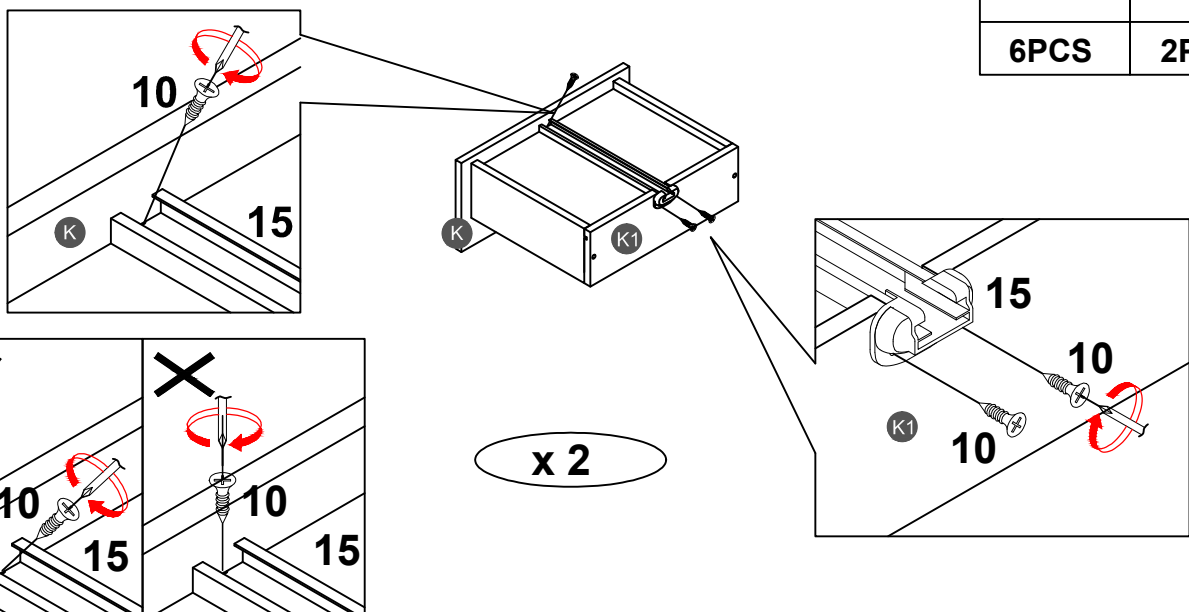
1		3	
8PCS		4PCS	
		5	
		4PCS	

STEP 25:



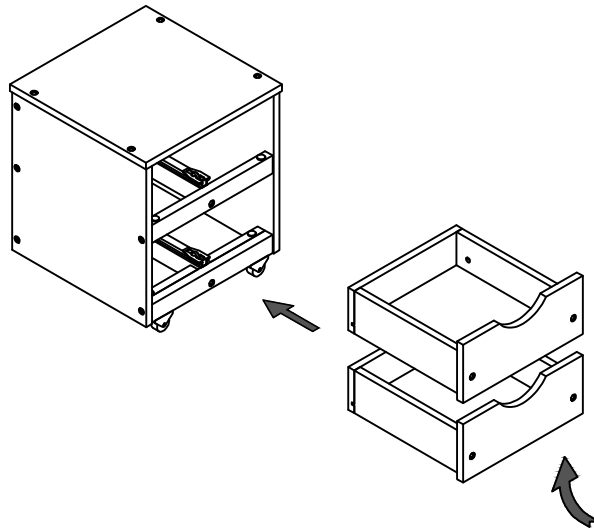
1		3	
8PCS		4PCS	
		5	
		4PCS	

STEP 26:



10		15	
6PCS		2PCS	

STEP 27:

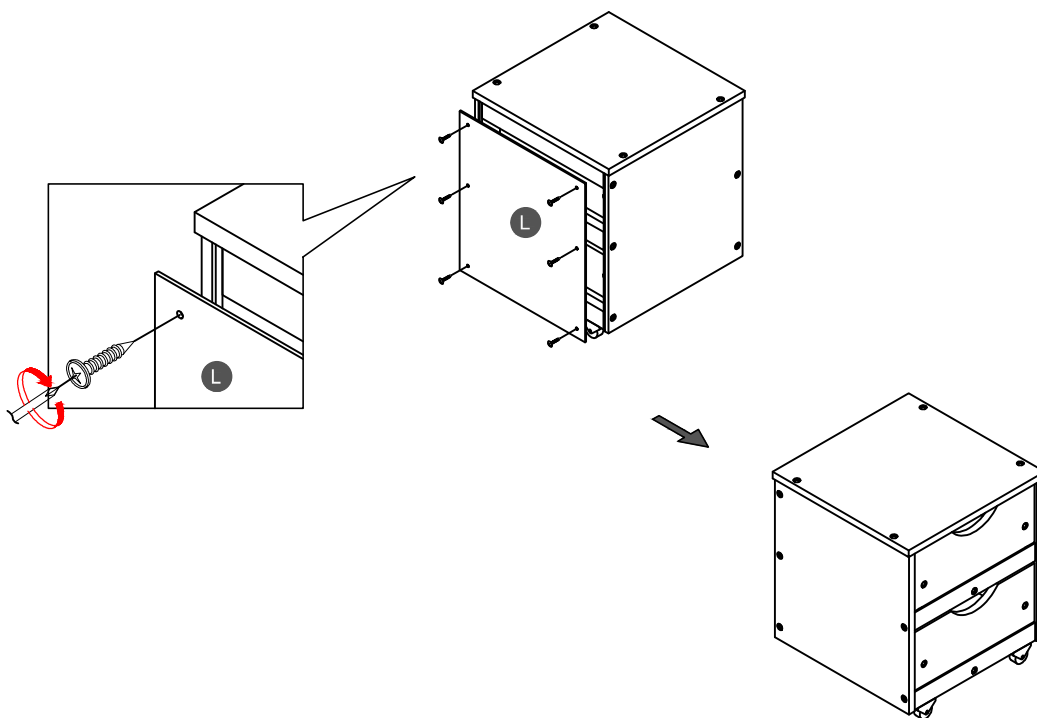


STEP 28:

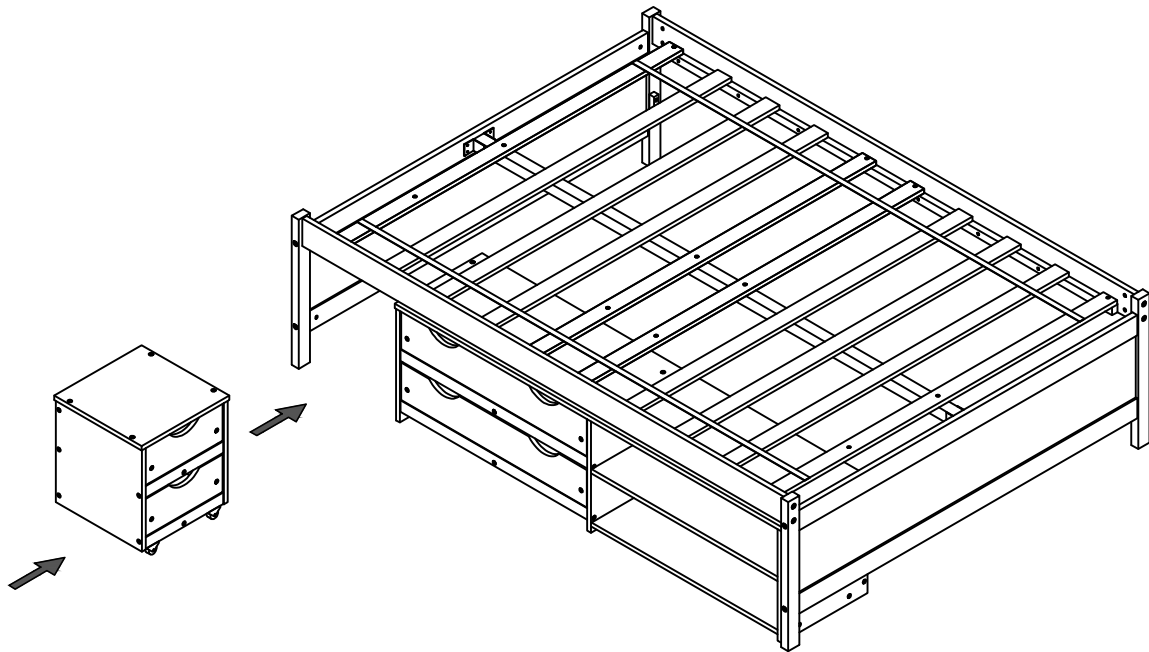
9



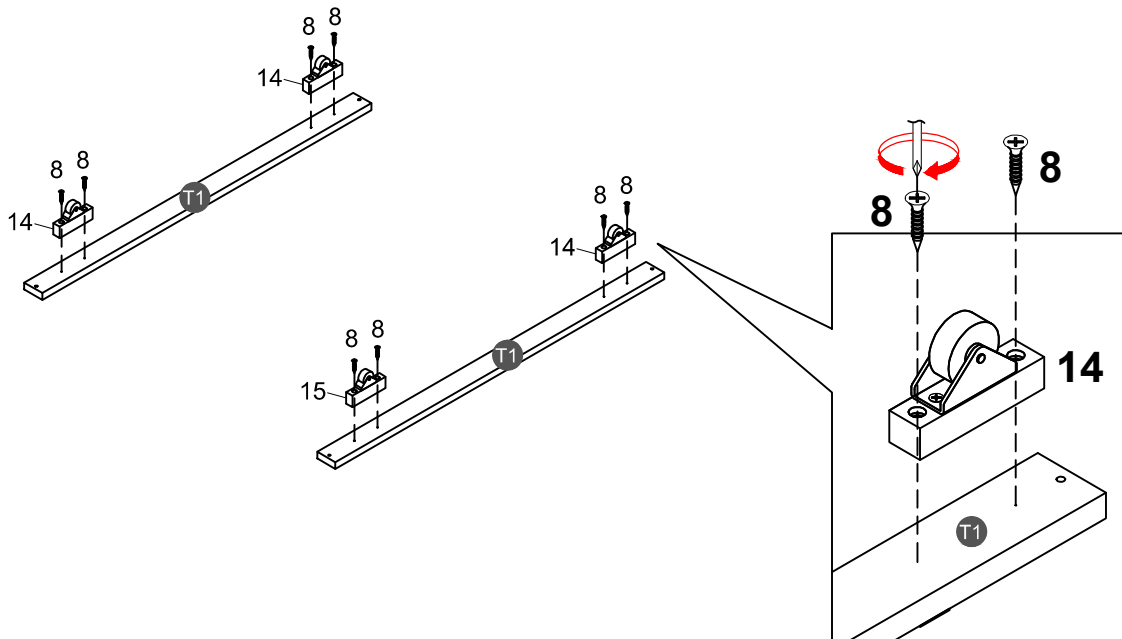
12PCS



STEP 29:



STEP 30:

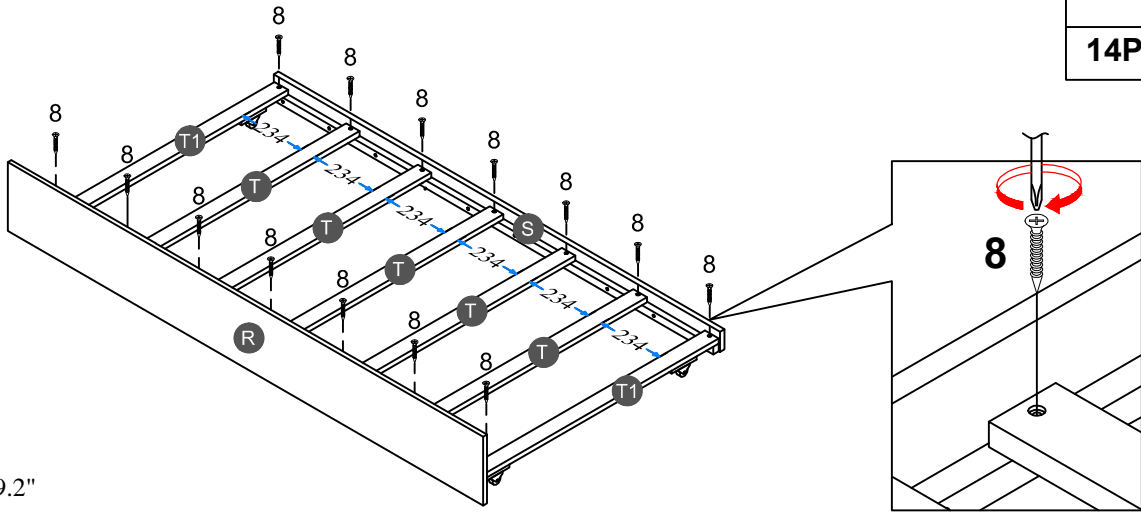


STEP 31:

8

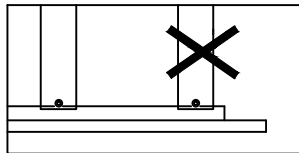
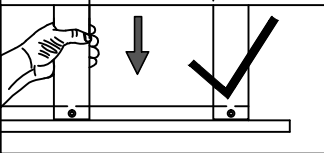


14PCS



9.2"

234mm



Note: Do not lock the screws of the bed slats to the outermost edge of the bed slats, you need to leave a certain space at the edges, otherwise it will cause the board to break.

Do not lock the bed slats on the edge of the wood, please hold firmly before screwing, hold it in place with one hand, then lock the screw.

STEP 32:

10

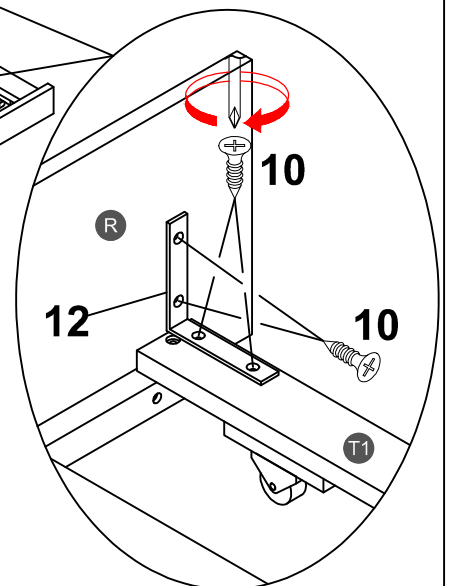
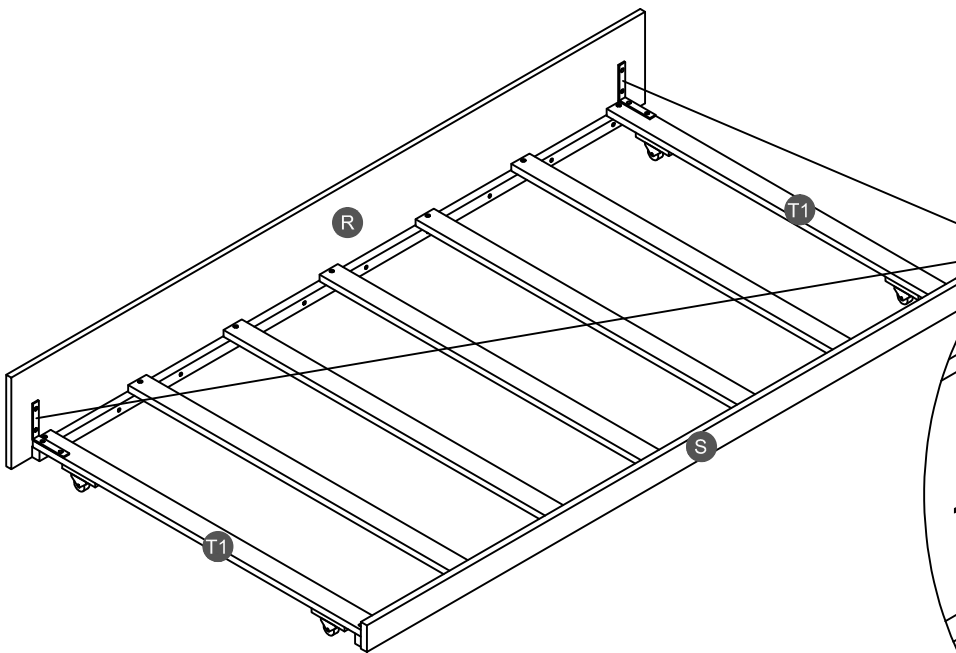


8PCS


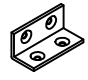
12

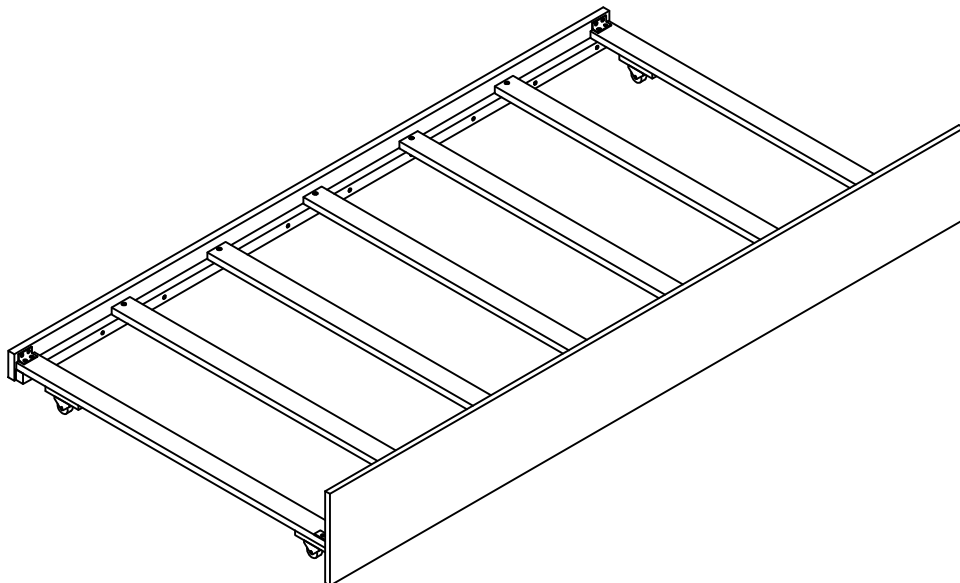
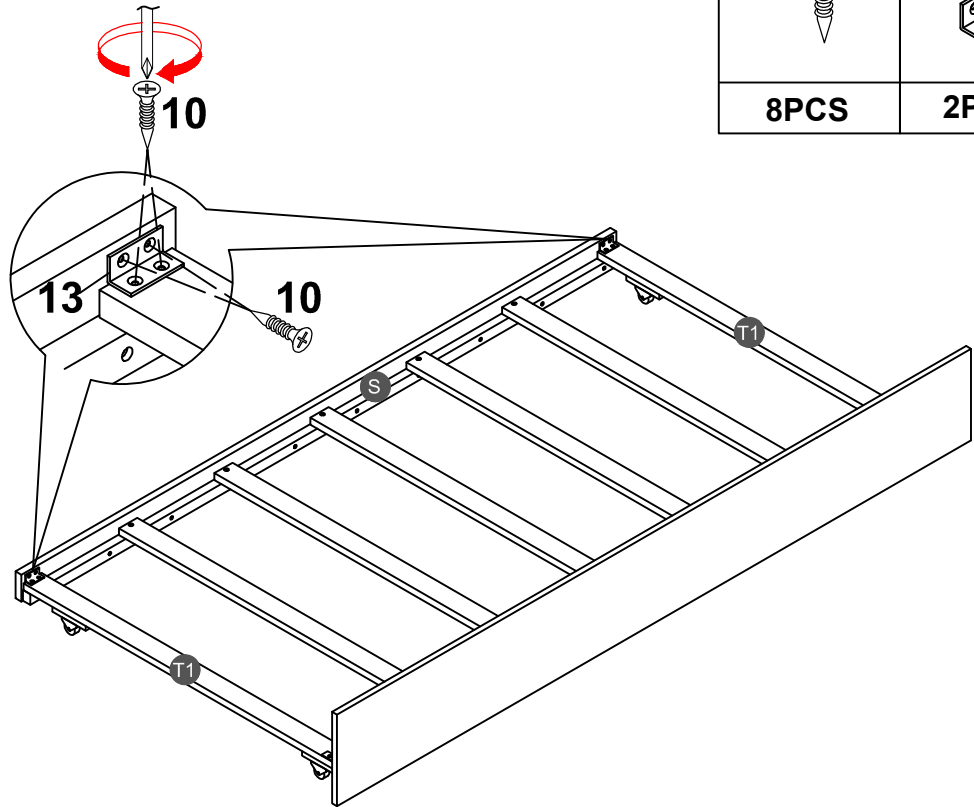


2PCS



STEP 33:

10		13	
8PCS		2PCS	



STEP 34:

