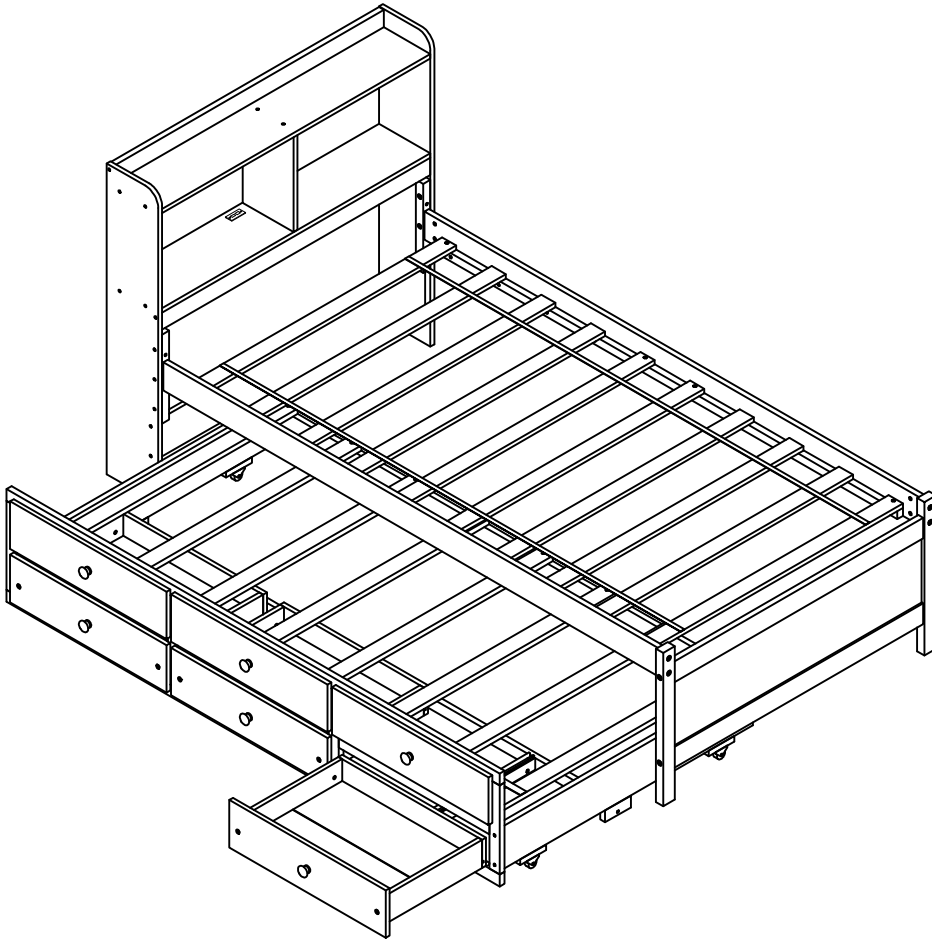


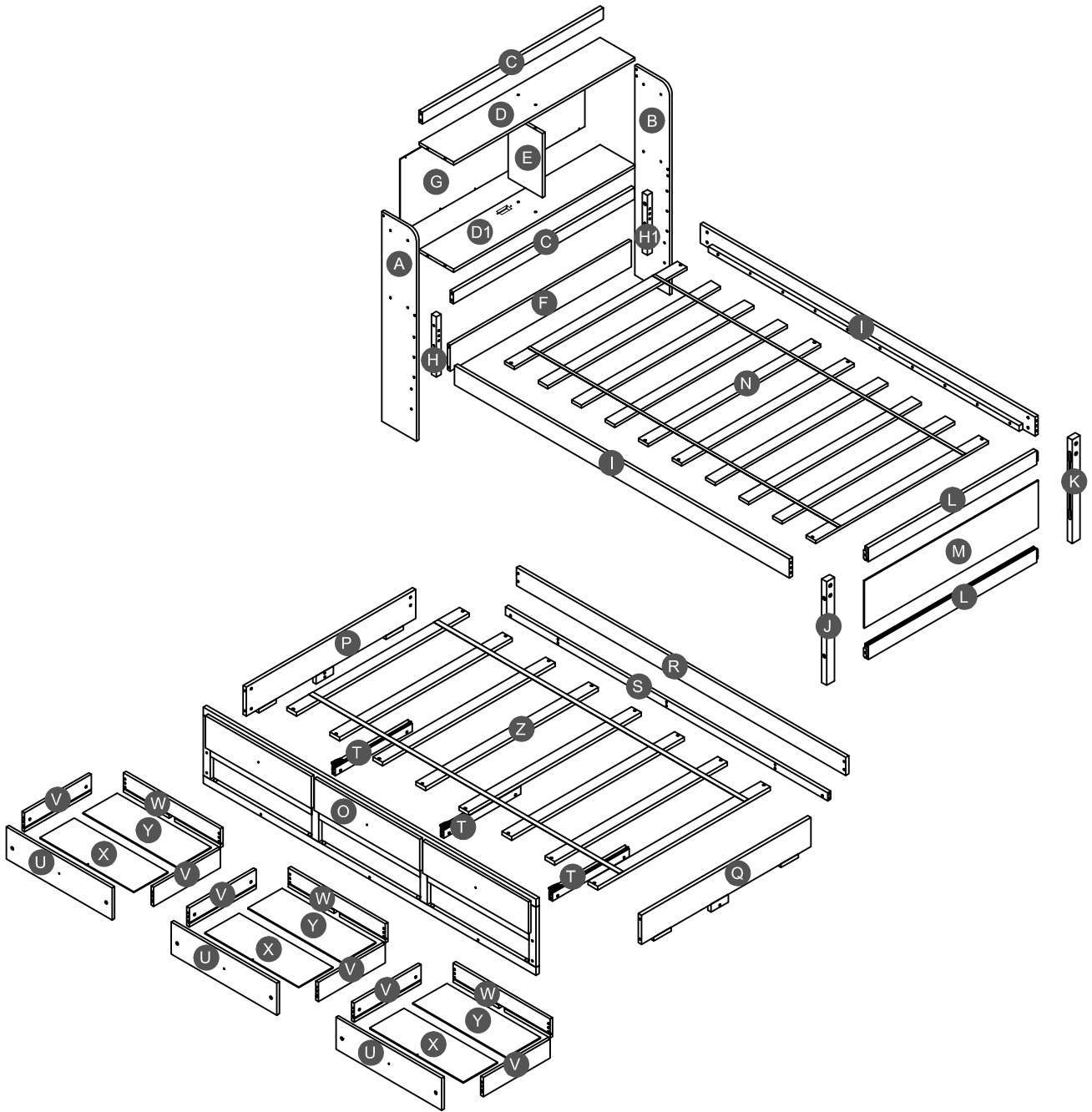
ASSEMBLY INSTRUCTIONS

TWIN BED WITH BOOKCASE & TRUNDLE & DRAWERS



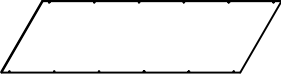
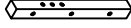
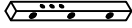

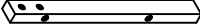

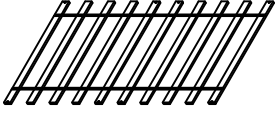
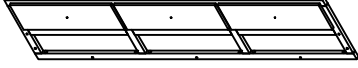
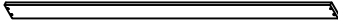


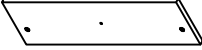
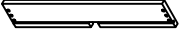
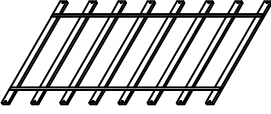
ILA33779

Detail View

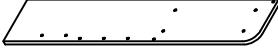
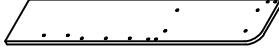
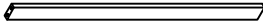



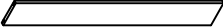
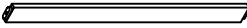
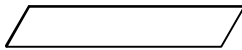
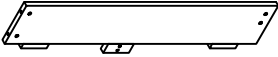
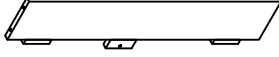
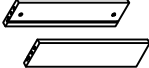




Part List

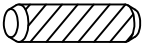
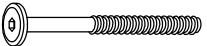
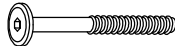





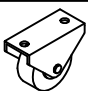



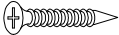
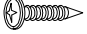

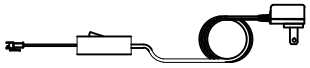
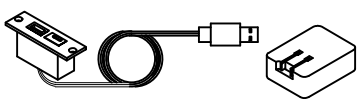

Hardware List ILA33779 (1-2)

G  Back panel - 1pc	H  Vertical bar HB (left) - 1pc	H1  Vertical bar HB (right) - 1pc
I  Side rail - 2pcs	J  Leg FB (left) - 1pc	K  Leg FB (right) - 1pc
N  Slats - (1Set = 10pcs)	O  Front panel of trundle - 1pc	R  Back panel side rail of trundle -1pc
S  Support rail of trundle -1pc	T  Support drawer - 3pcs	U  Front drawer panel - 3pcs
W  Back drawer panel - 3pcs	Z  Slats - (1Set = 8pcs)	

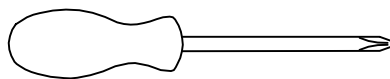
ILA33779 (2-2)

A  Panel (left) - 1pc	B  Panel (right) - 1pc	C  HB horizontal - 2pcs
D  Top panel - 1pc	D1  Shelf panel - 1pc	E  Middle panel- 1pc
F  Crossbar-1pc	L  FB horizontal bar - 2pcs	M  Side panel FB - 1pc
P  Left side panel of trundle -1pc	Q  Right side panel of trundle -1pc	V  Left / right drawer panel - 6pcs
X  Drawer bottom - 3pcs	Y  Drawer bottom - 3pcs	

Hardware List ILA33779 (1-2)

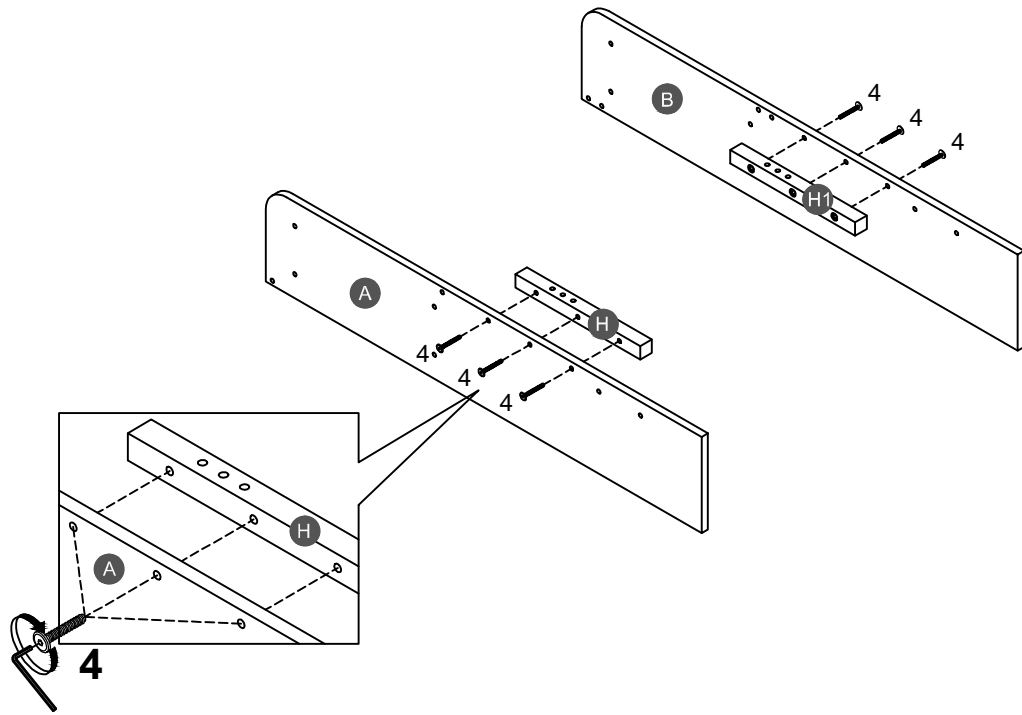
1  Ø8*30mm Wood dowel (34pcs)	2  (Ø15)1/4"*80mm Hex-Head bolts (12pcs)	3  (Ø12)1/4"*60mm Hex-Head bolts (48pcs)
4  (Ø12)1/4"*40mm Hex-Head bolts (6pcs)	5  1/4"*15 (9.5mm) Horizontal-Hole bolts(60pcs)	6  Ø38*31mm Pine Knob (6pcs)
7  3/16"*25mm Ph zinc(Knob) (6pcs)	8  (1/4")4.5*58mm Allen key (1pc)	9  45*20*35mm Caster (4pcs)
10  400*30mm Upper slider drawer (3pcs)	11  Ø3.5*15mm Wood screws (12pcs)	12  Ø3.5*19mm Wood screws (8pcs)
13  Ø4*30mm Wood screws (24pcs)	14  Ø3.5*15mm Wood screws (12pcs)	15  L1000mm Led light (1pc)
16  L3000mm Adapter and wire strip (1pc)	17  1500*68*30*22mm USB port (1set)	18  22*10*6mm Clamp plastic (1pc)

ASSEMBLY TOOLS REQUIRED (NOT INCLUDED)



PLEASE BE CAREFUL DO NOT DAMAGE THE HOLE POSITION WHEN YOU USE POWER TOOLS !

STEP 1:

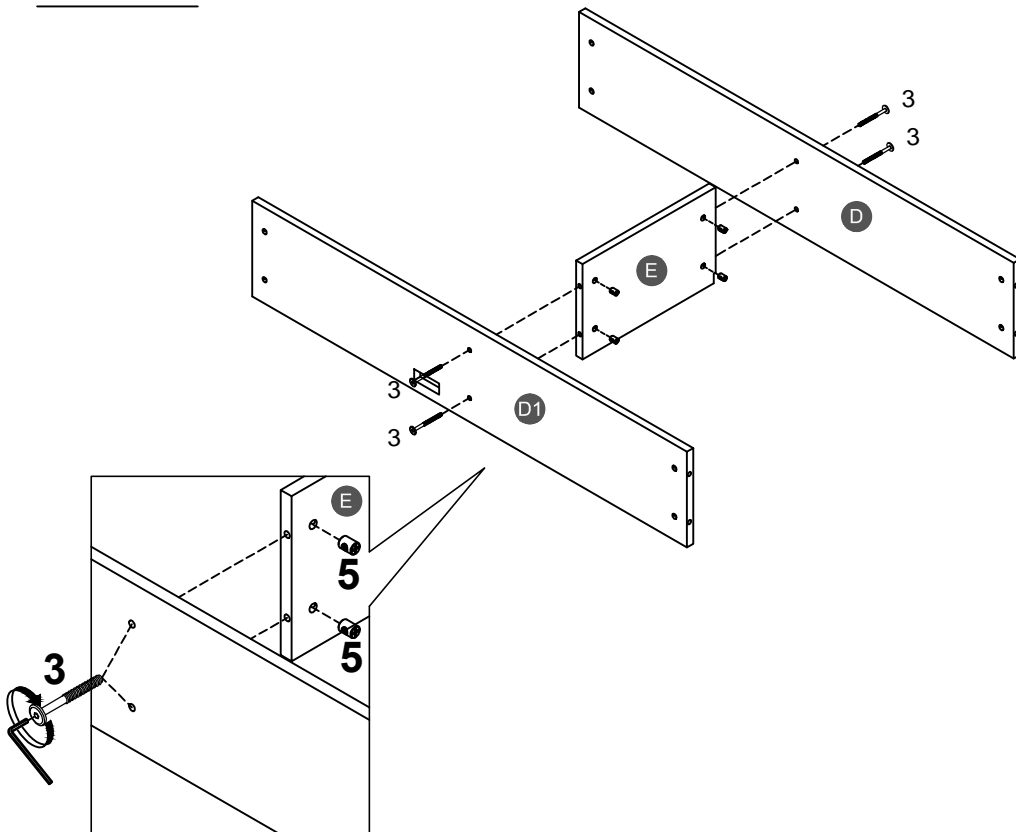


4



6PCS

STEP 2:



3



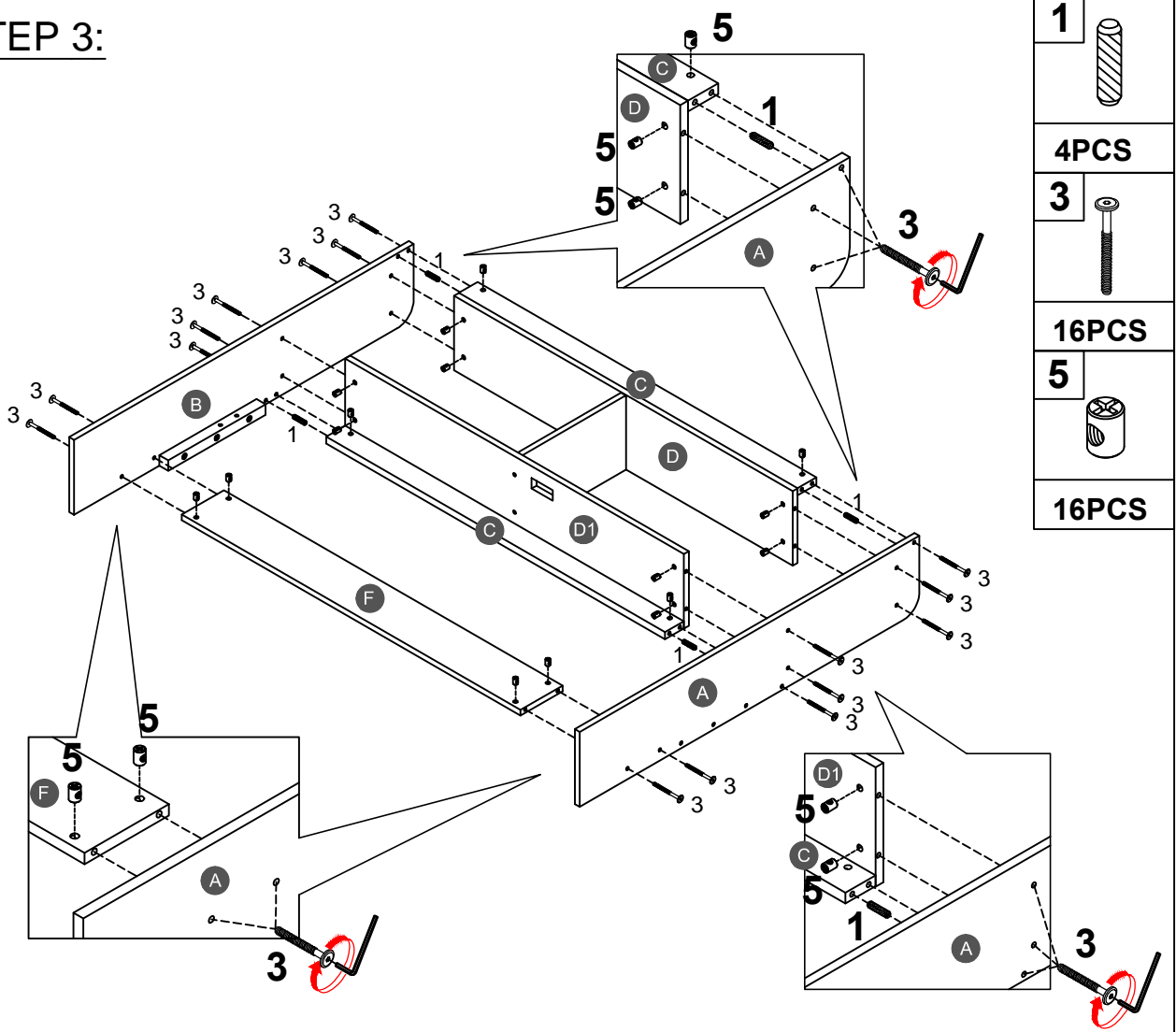
4PCS

5

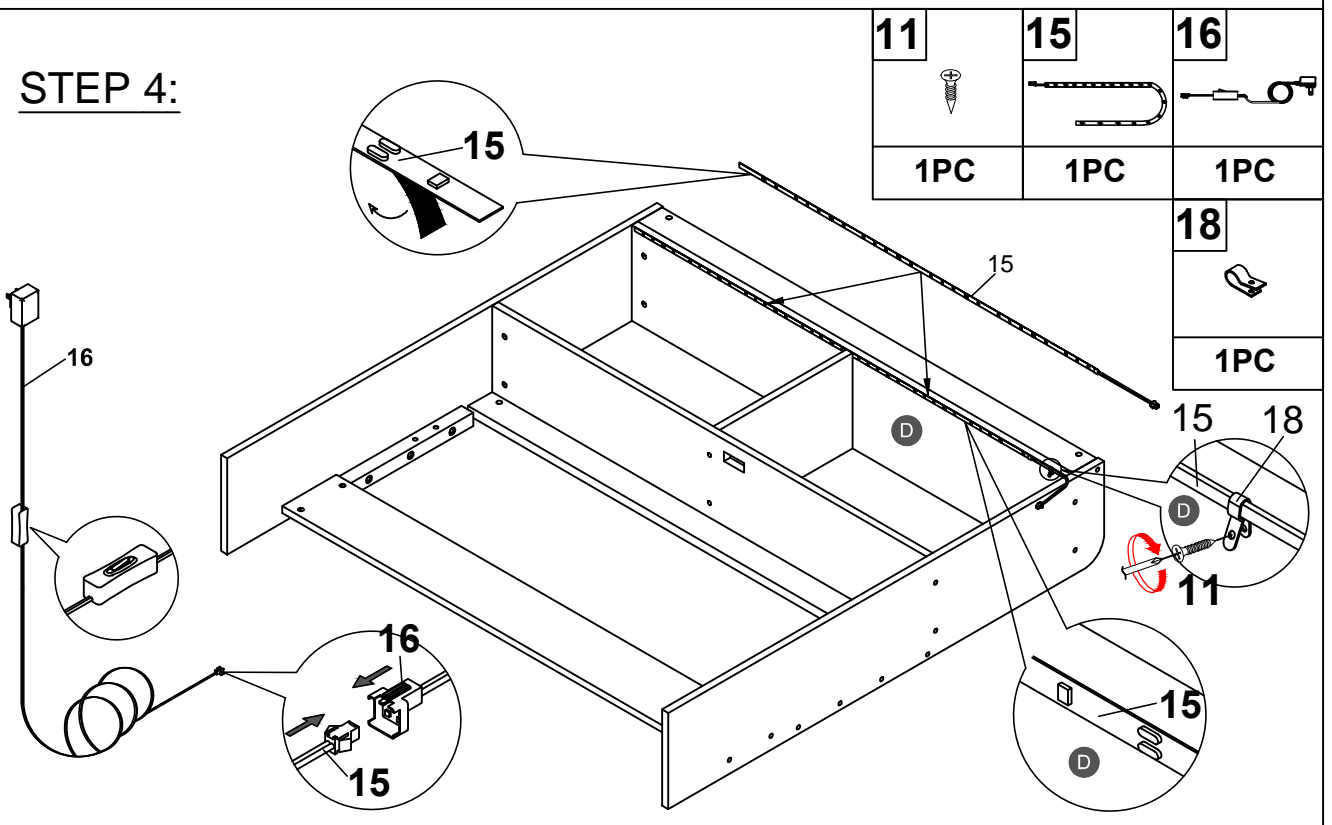


4PCS



STEP 3:

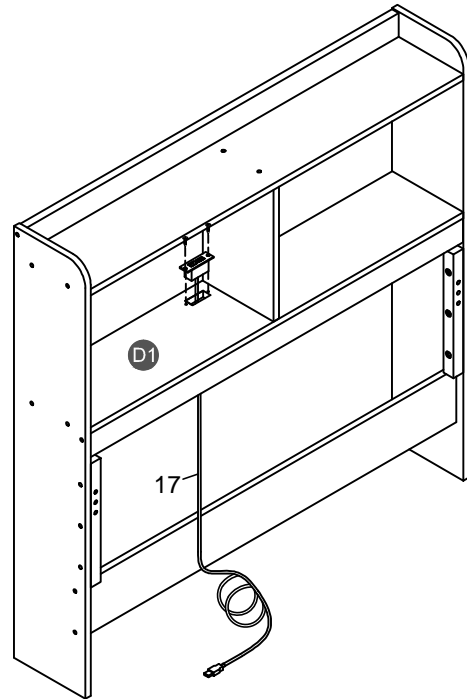
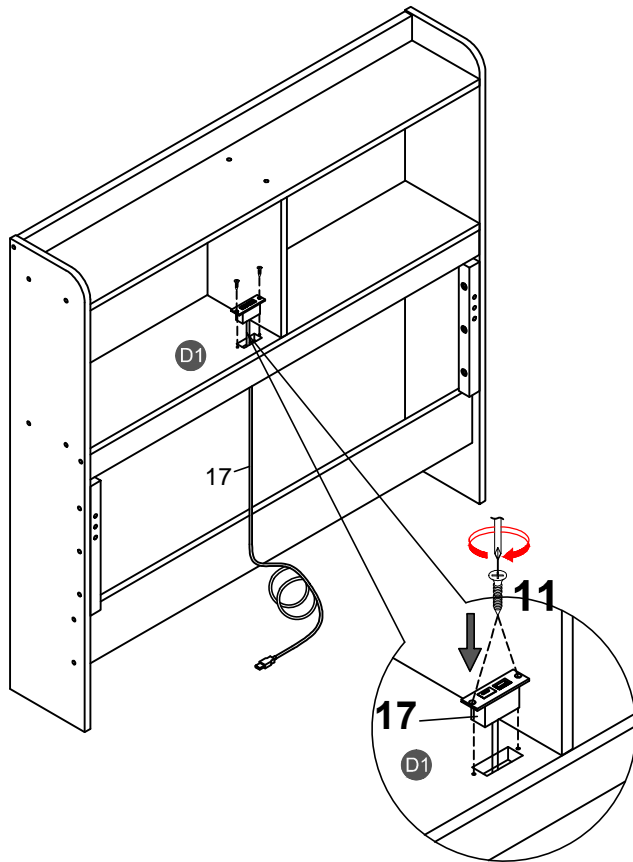


STEP 4:

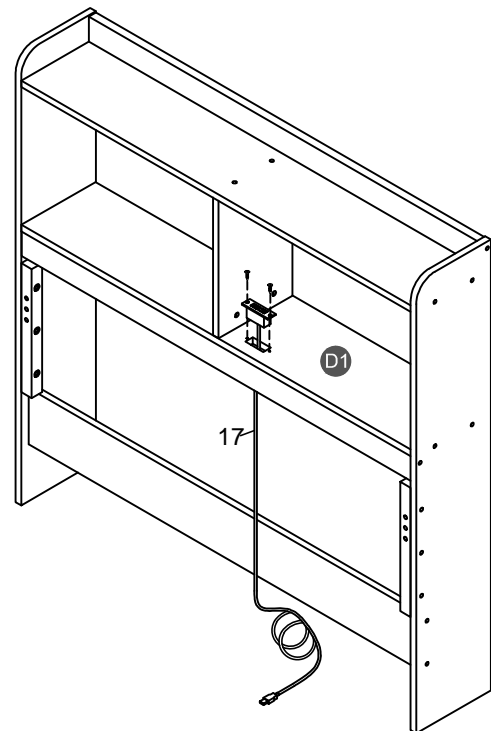
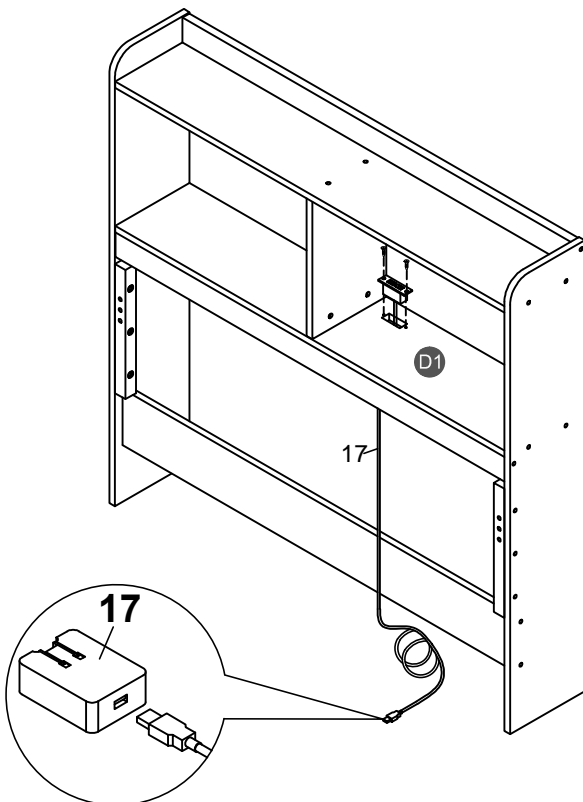


STEP 5:

11 	17 
2PCS	1SET



The USB and Type-C outlet can be located at either side of the shelf panel.

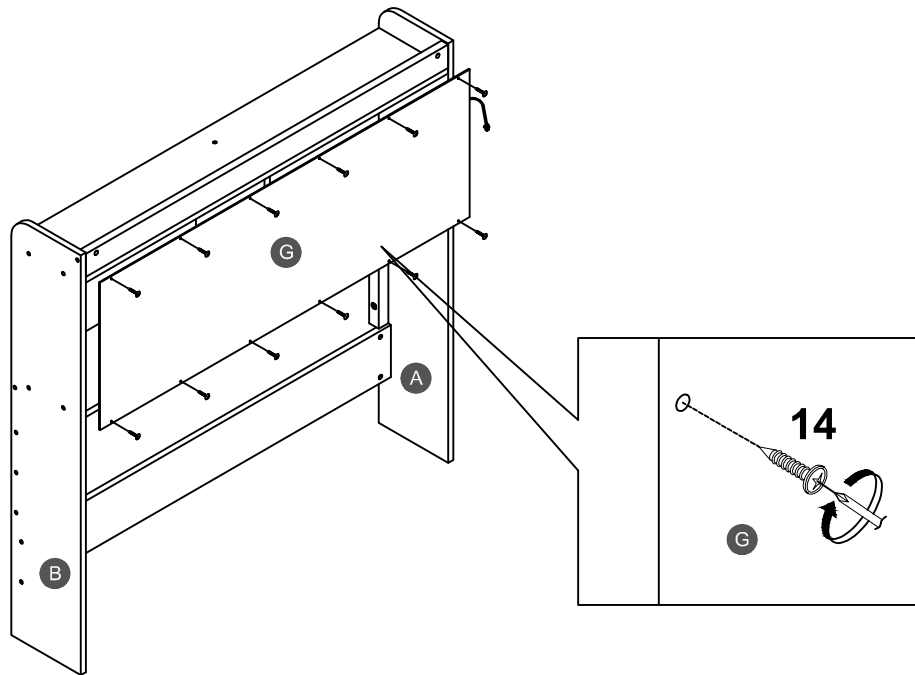


STEP 6:

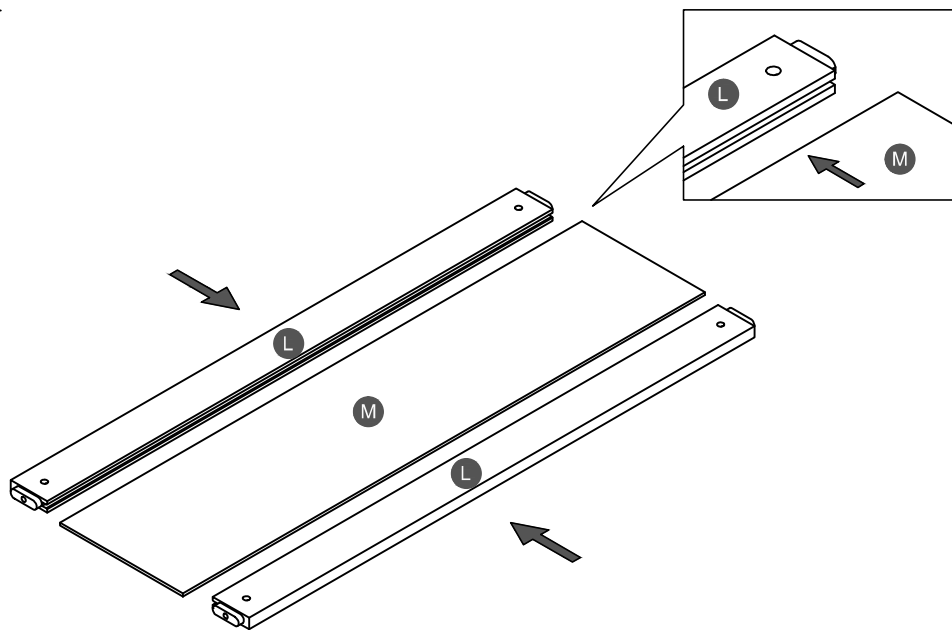
14





12PCS

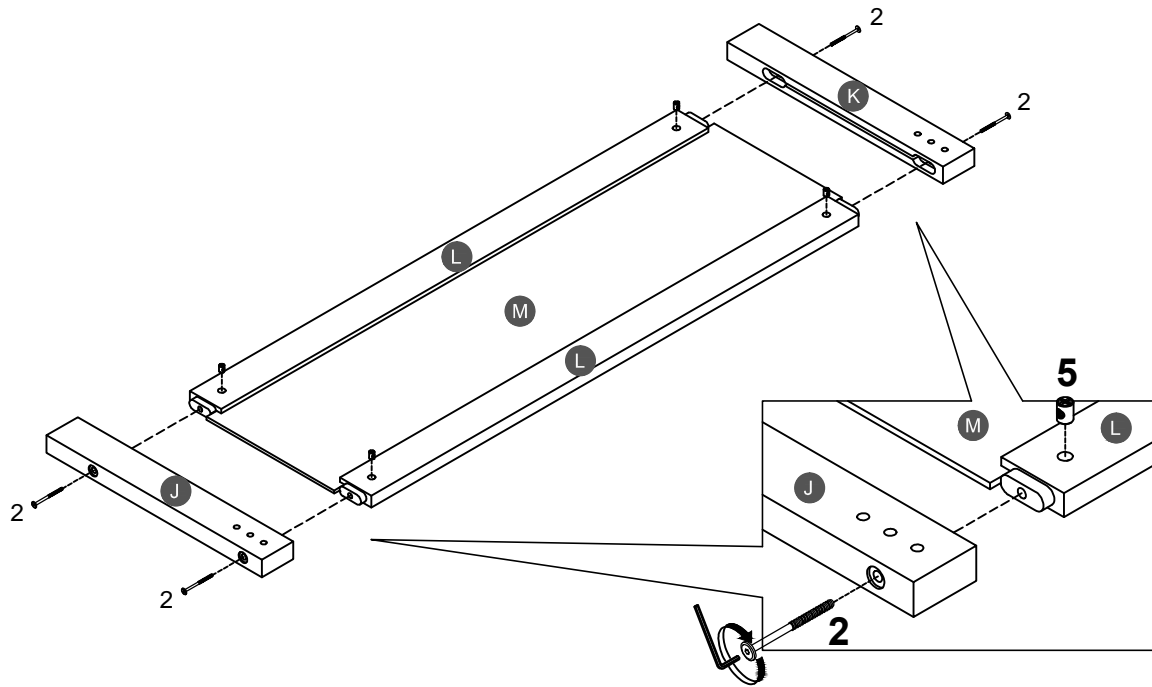


STEP 7:






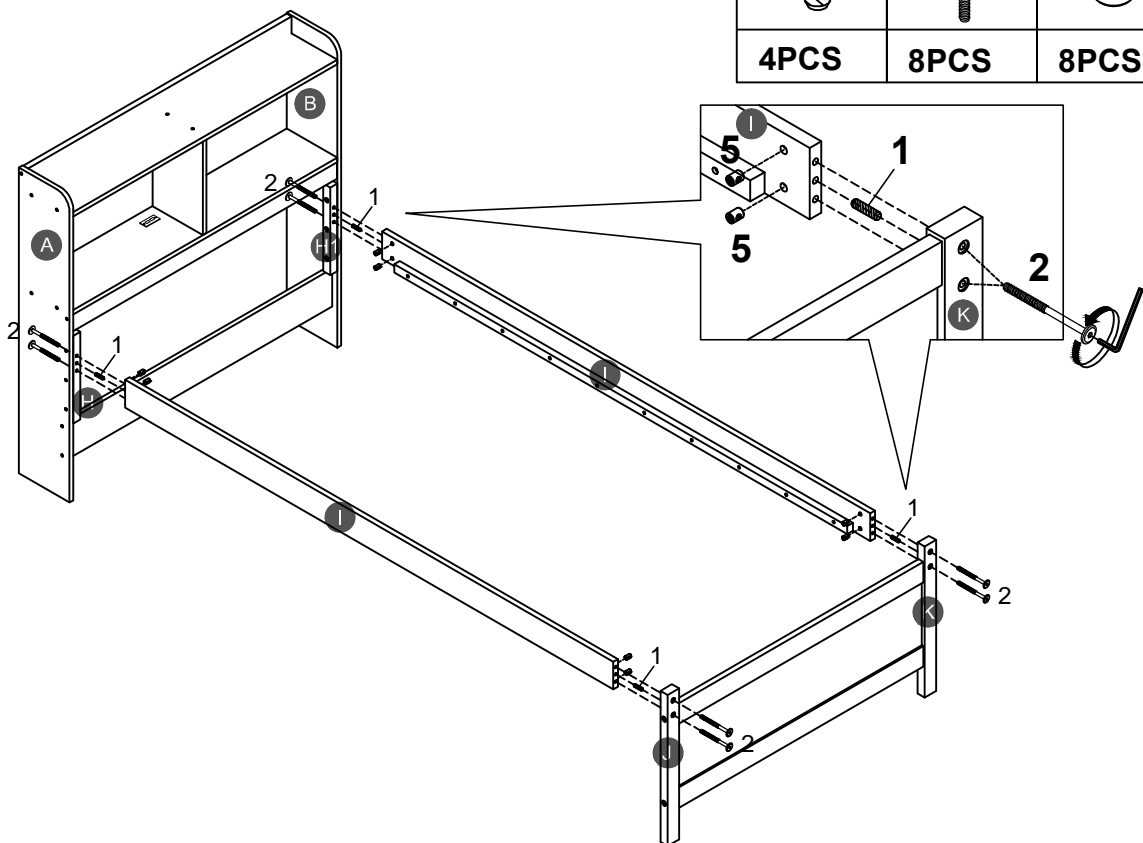
STEP 8:

2		5	
4PCS		4PCS	

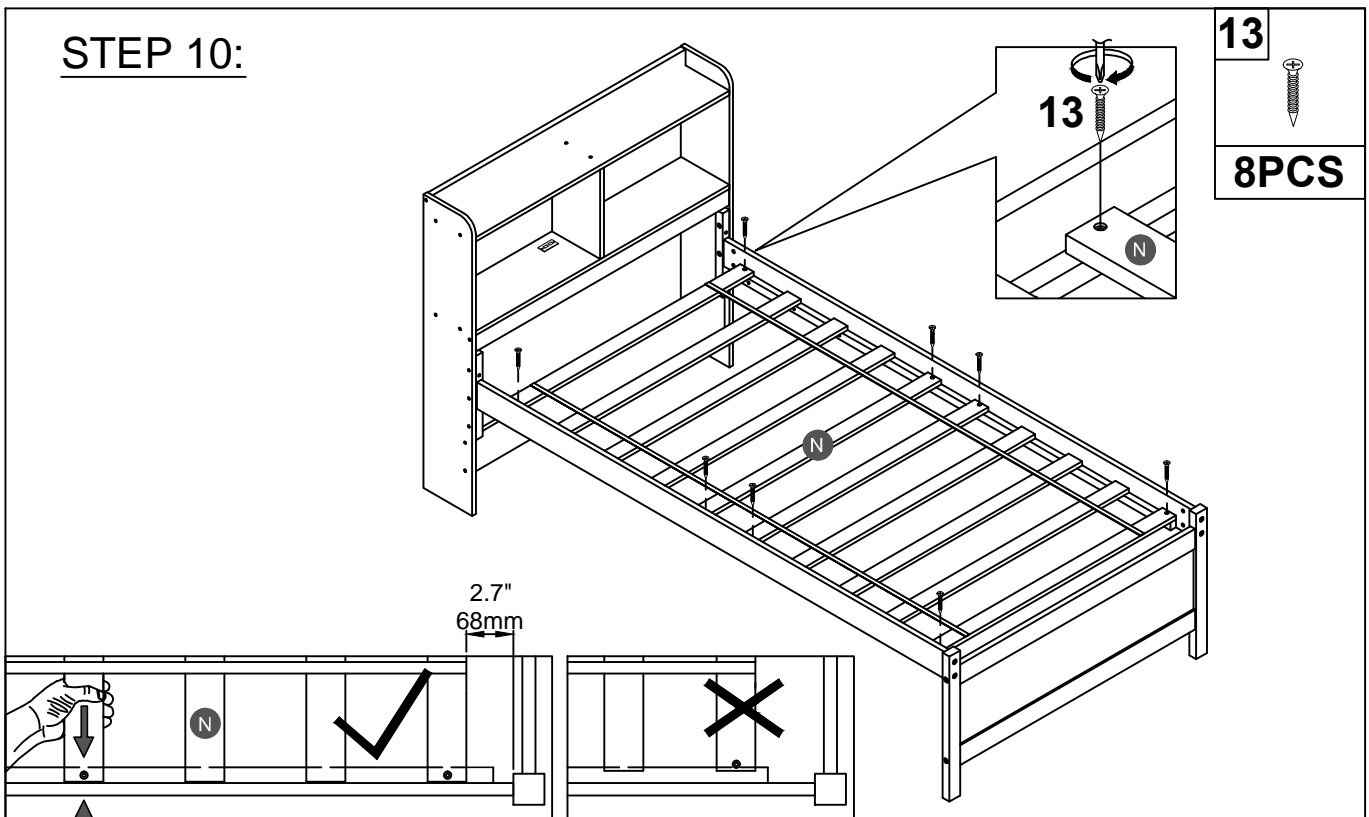


STEP 9:

1		2		5	
4PCS		8PCS		8PCS	

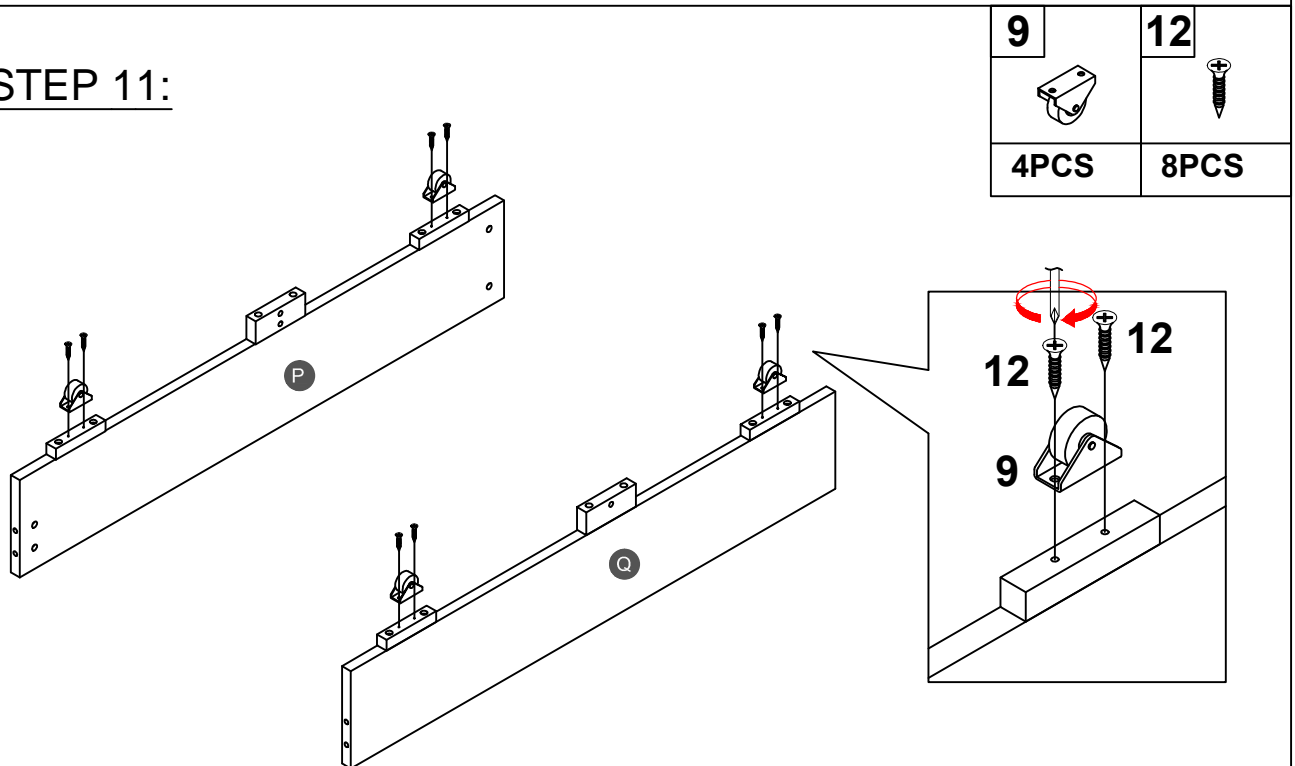


STEP 10:






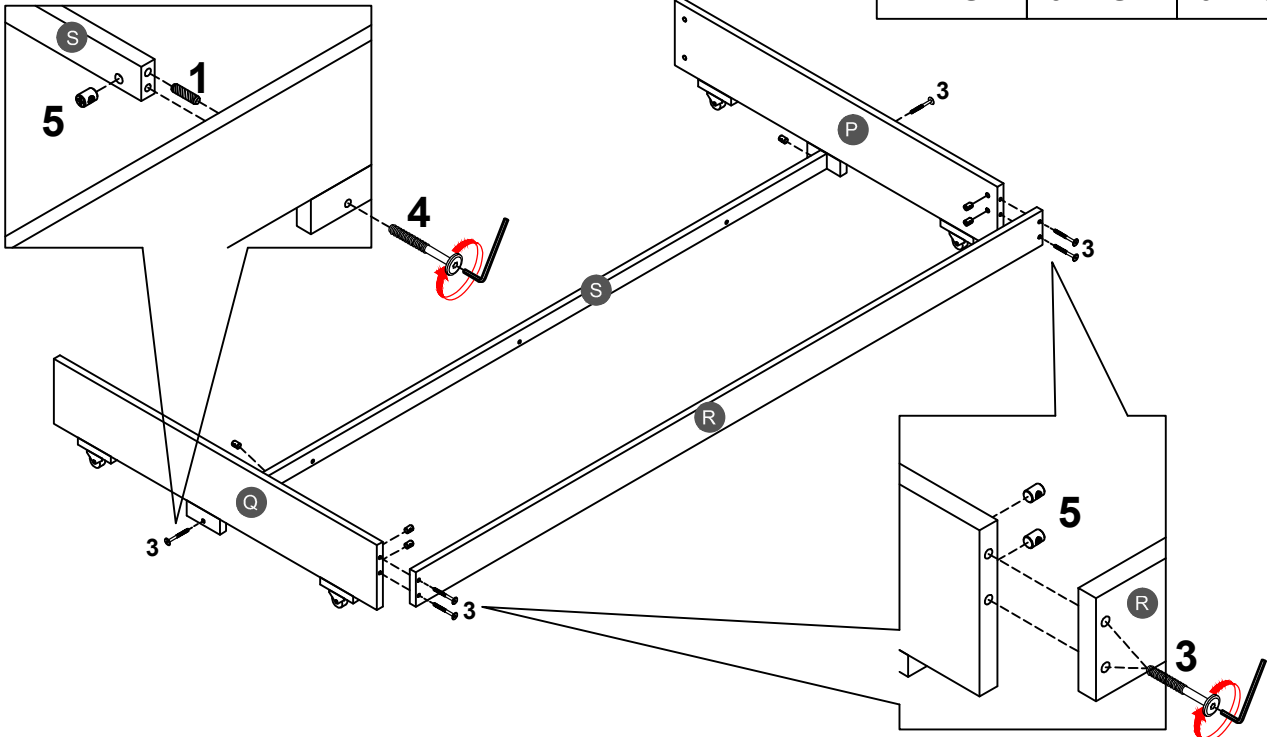
NOTE: Please make sure the bed slats close to the side rail before locking the screws to avoid breakage. This step is required for both the left and right sides. Moreover, please do not lock the screws of the bed slats at the outermost edge to avoid damaging.

STEP 11:





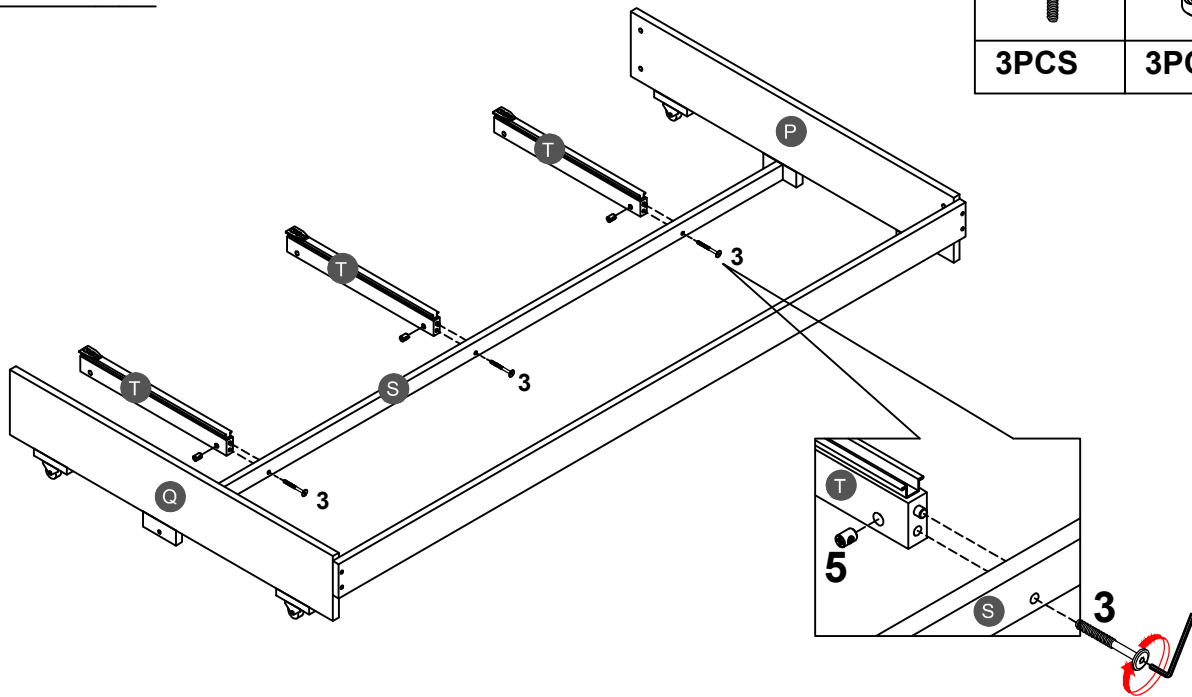
STEP 12:

1		3		5	
2PCS		6PCS		6PCS	

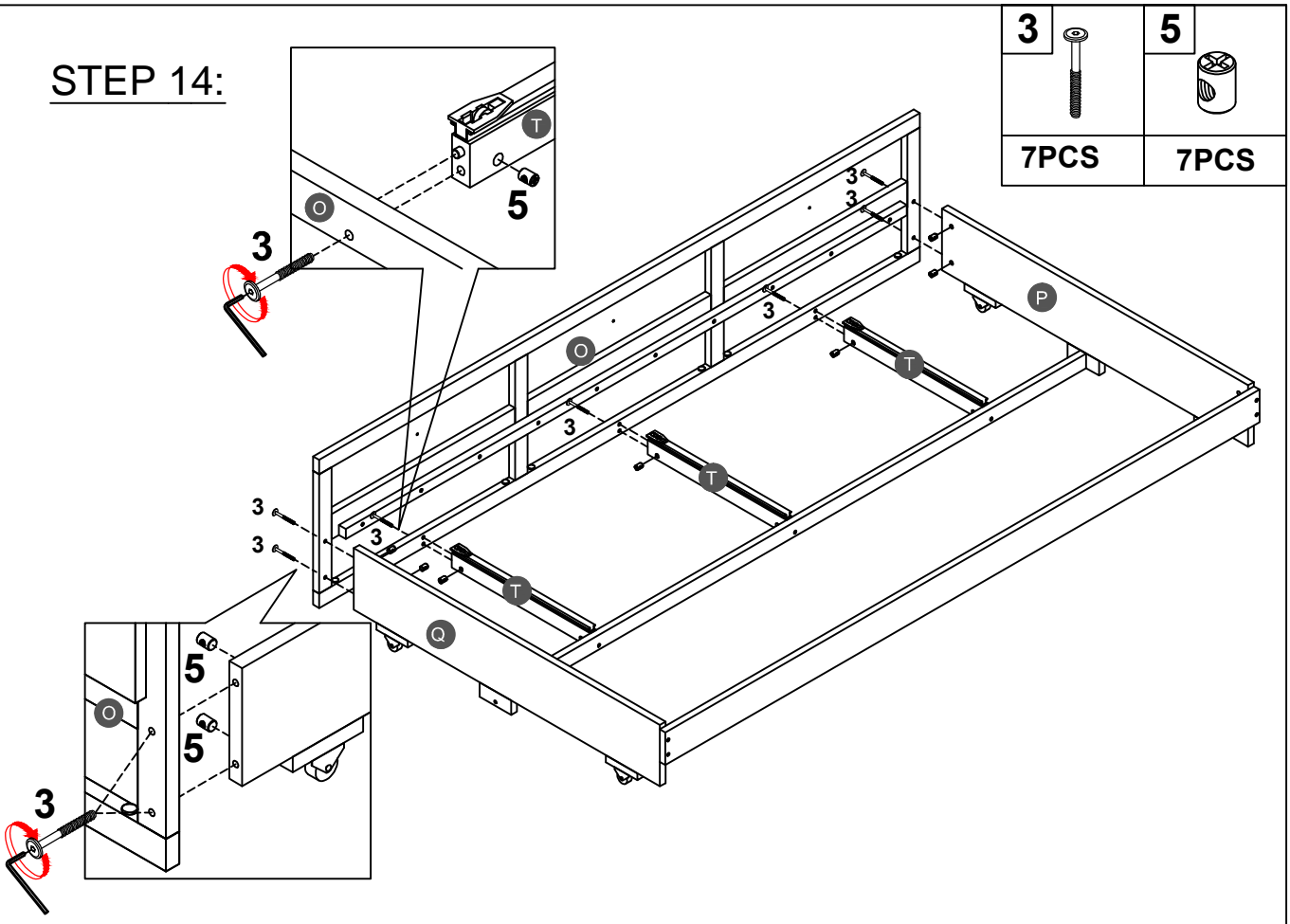


STEP 13:

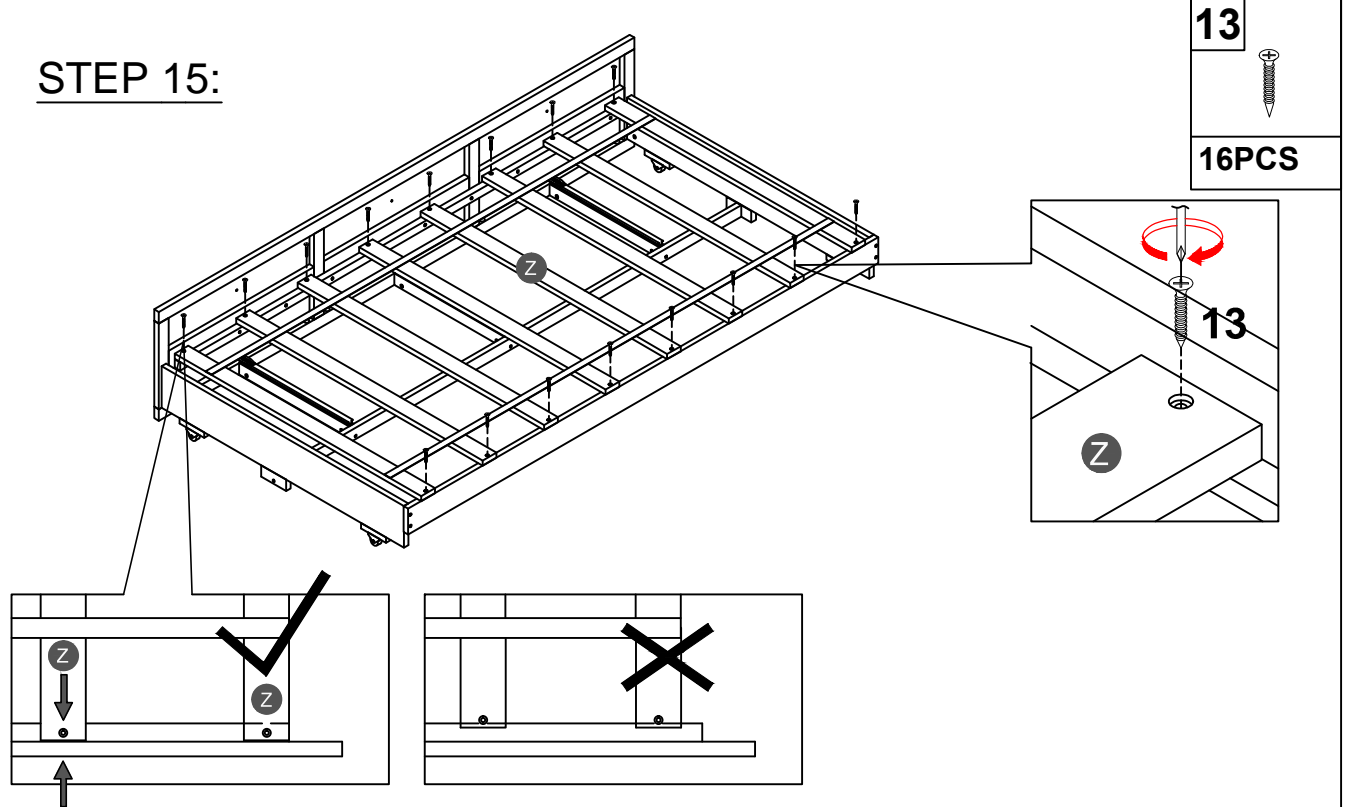
3		5	
3PCS		3PCS	



STEP 14:

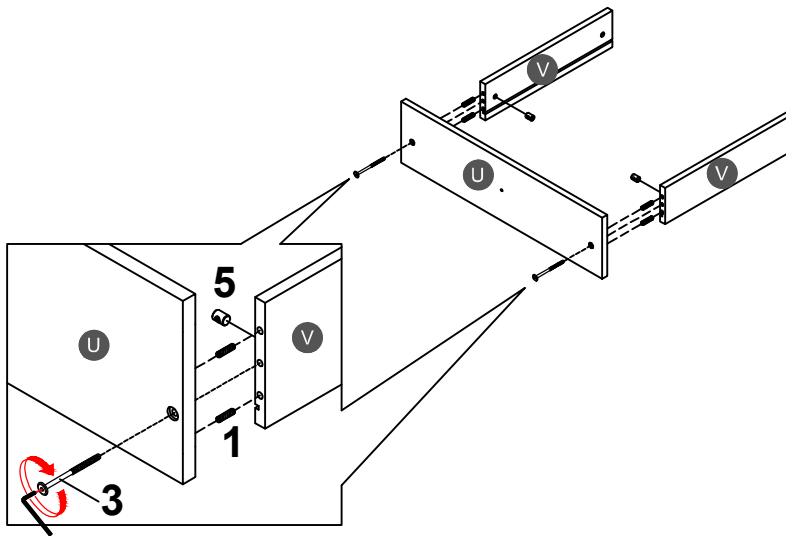


STEP 15:






NOTE: Please make sure the bed slats close to the side rail before locking the screws to avoid breakage. This step is required for both the left and right sides. Moreover, please do not lock the screws of the bed slats at the outermost edge to avoid damaging.

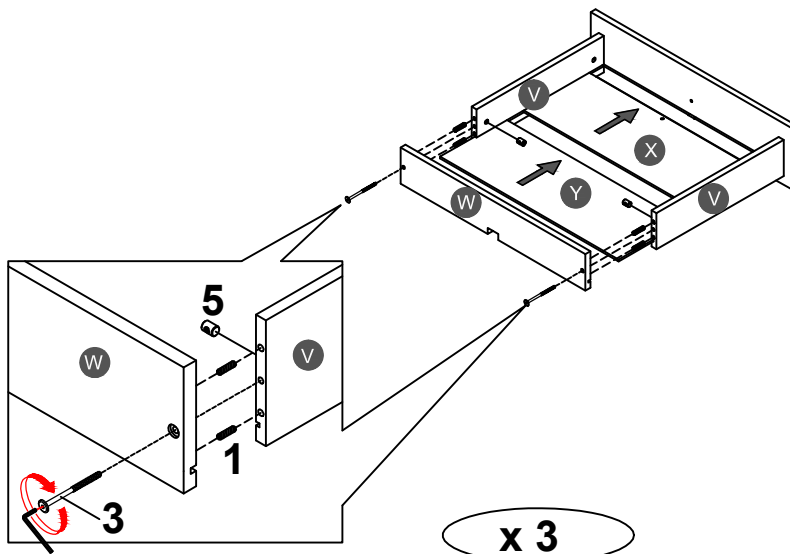
STEP 16:






x 3

1		5	
12PCS		6PCS	
		3	
		6PCS	



STEP 17:

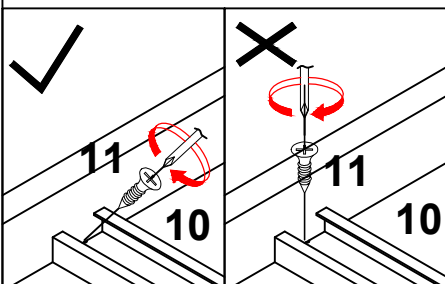
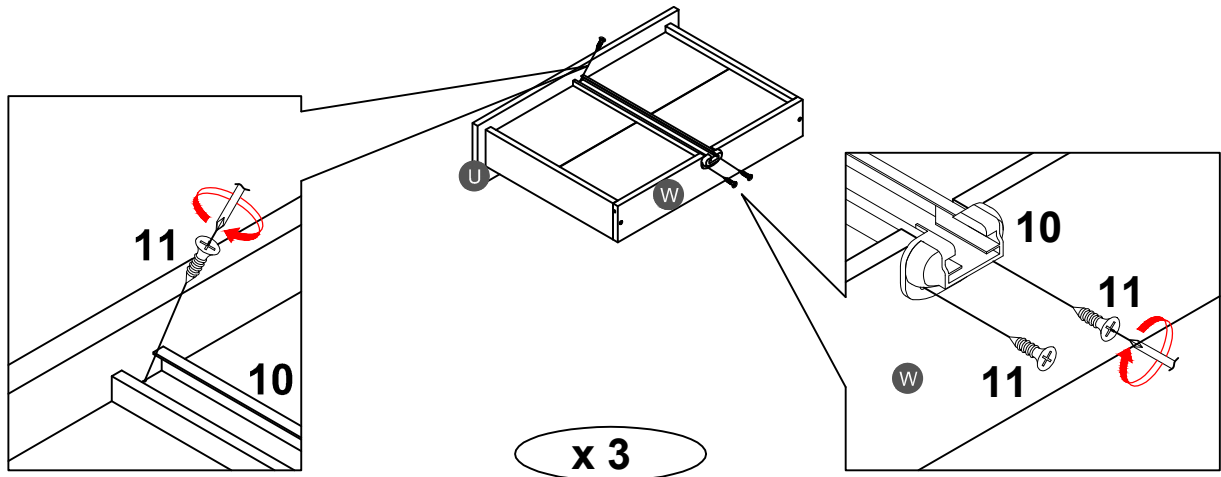


x 3



1		5	
12PCS		6PCS	
		3	
		6PCS	

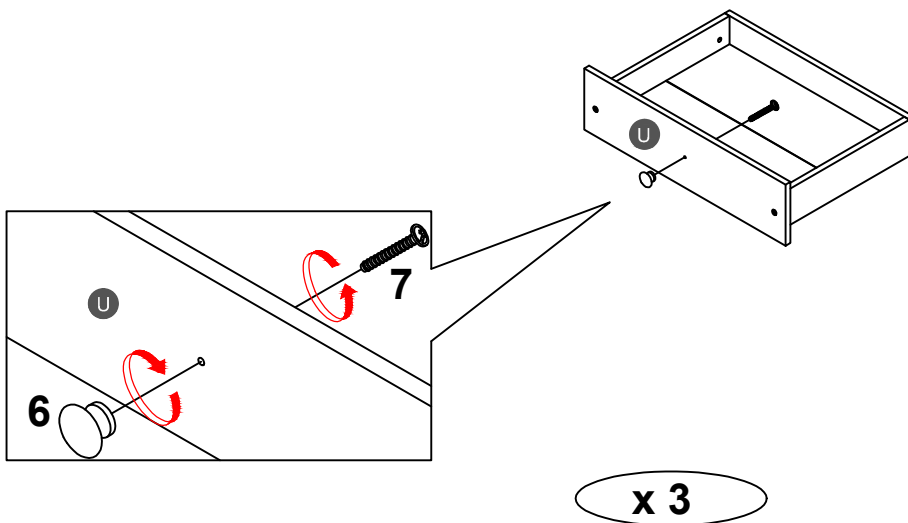
STEP 18:

10 	11 
3PCS	9PCS





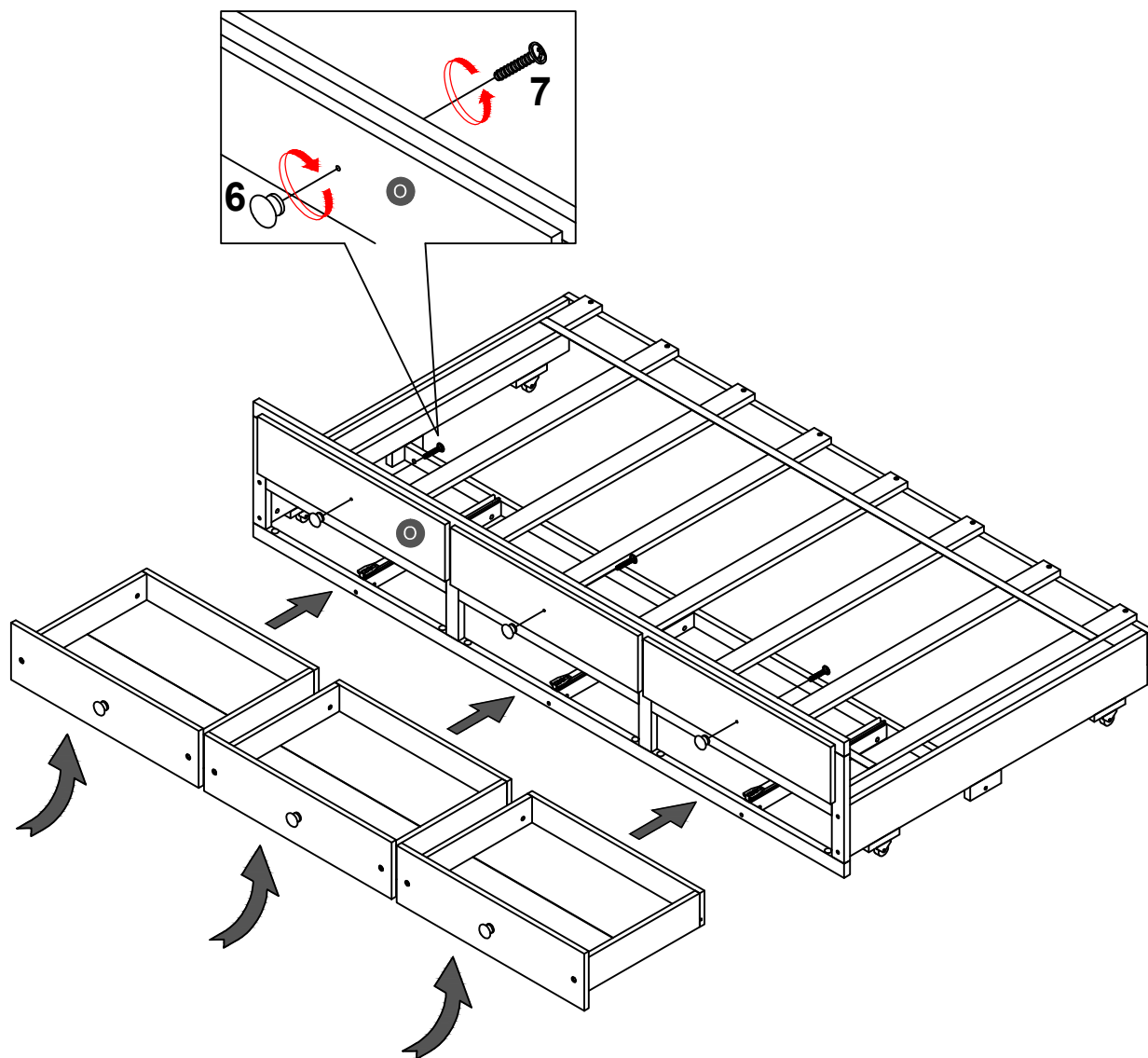
STEP 19:

6 	7 
3PCS	3PCS



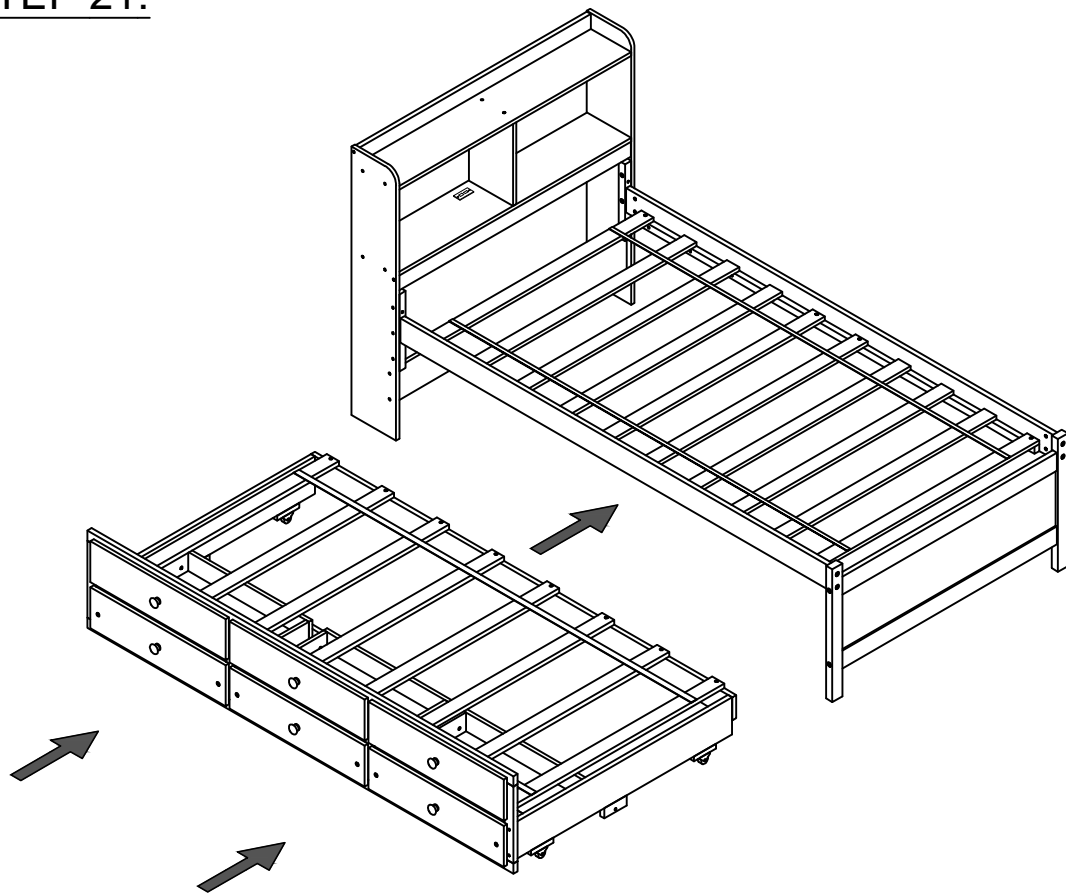
STEP 20:

6		7	
3PCS		3PCS	



**Remark: When opening or closing the drawer,
Please lift the drawer slightly before opening or closing it.**

STEP 21:



Push Trundle under the bottom of Captain bed.

